



(12) **United States Design Patent**  
**Son**

(10) **Patent No.:** **US D869,290 S**  
(45) **Date of Patent:** **\*\* Dec. 10, 2019**

- (54) **CONTAINER FOR COSMETICS**
- (71) Applicant: **YONWOO CO., LTD.**, Incheon (KR)
- (72) Inventor: **Su Jin Son**, Incheon (KR)
- (73) Assignee: **YONWOO CO., LTD.**, Incheon (KR)
- (\*\*) Term: **15 Years**
- (21) Appl. No.: **29/654,817**
- (22) Filed: **Jun. 27, 2018**

- (30) **Foreign Application Priority Data**  
Apr. 25, 2018 (KR) ..... 30-2018-0019498
- (51) **LOC (12) Cl.** ..... **09-01**
- (52) **U.S. Cl.**  
USPC ..... **D9/723; D9/500; D9/503**
- (58) **Field of Classification Search**  
USPC ..... D9/424, 428, 434-435, 447-448, 454,  
D9/500, 502-504, 516, 519, 549, 558,  
D9/682, 686, 688-691, 715, 723, 730;  
D28/91.1  
CPC . B65D 1/00; B65D 1/10; B65D 23/00; B65D  
2501/00; B65D 2501/0009; A45D 34/00;  
A45D 40/0068; A45D 40/0075  
See application file for complete search history.

- (56) **References Cited**  
U.S. PATENT DOCUMENTS  
D219,053 S \* 10/1970 Gullotta ..... D7/542  
D303,761 S \* 10/1989 Desgrippes ..... D9/719

- D319,781 S \* 9/1991 Halm ..... D23/366
- 5,758,802 A \* 6/1998 Wallays ..... A21C 15/005  
222/212
- D699,578 S \* 2/2014 Marina ..... D9/500
- D701,767 S \* 4/2014 Marina ..... D9/500
- D729,593 S \* 5/2015 Myoung ..... D7/669
- D732,978 S \* 6/2015 Kick ..... D9/772

\* cited by examiner

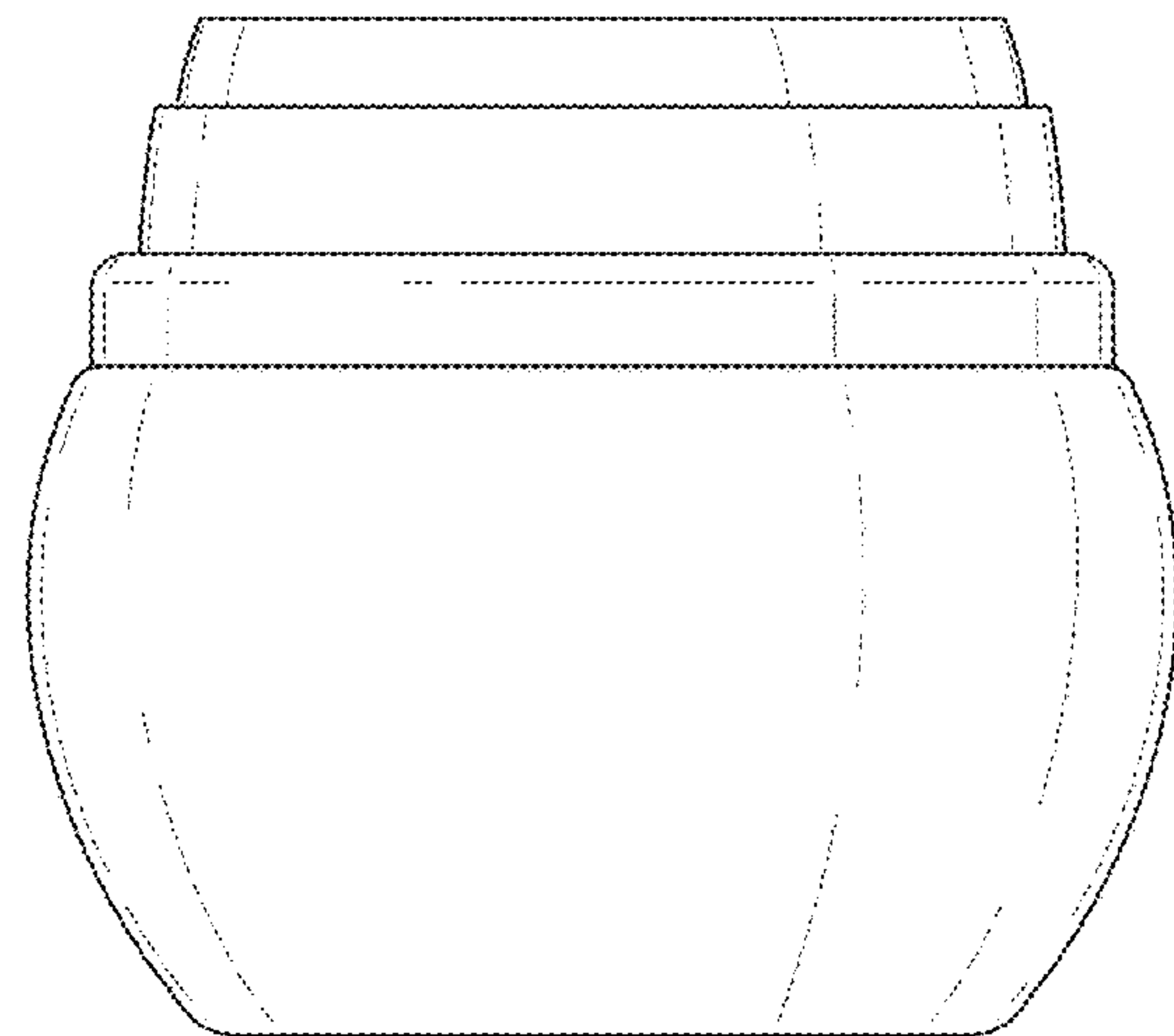
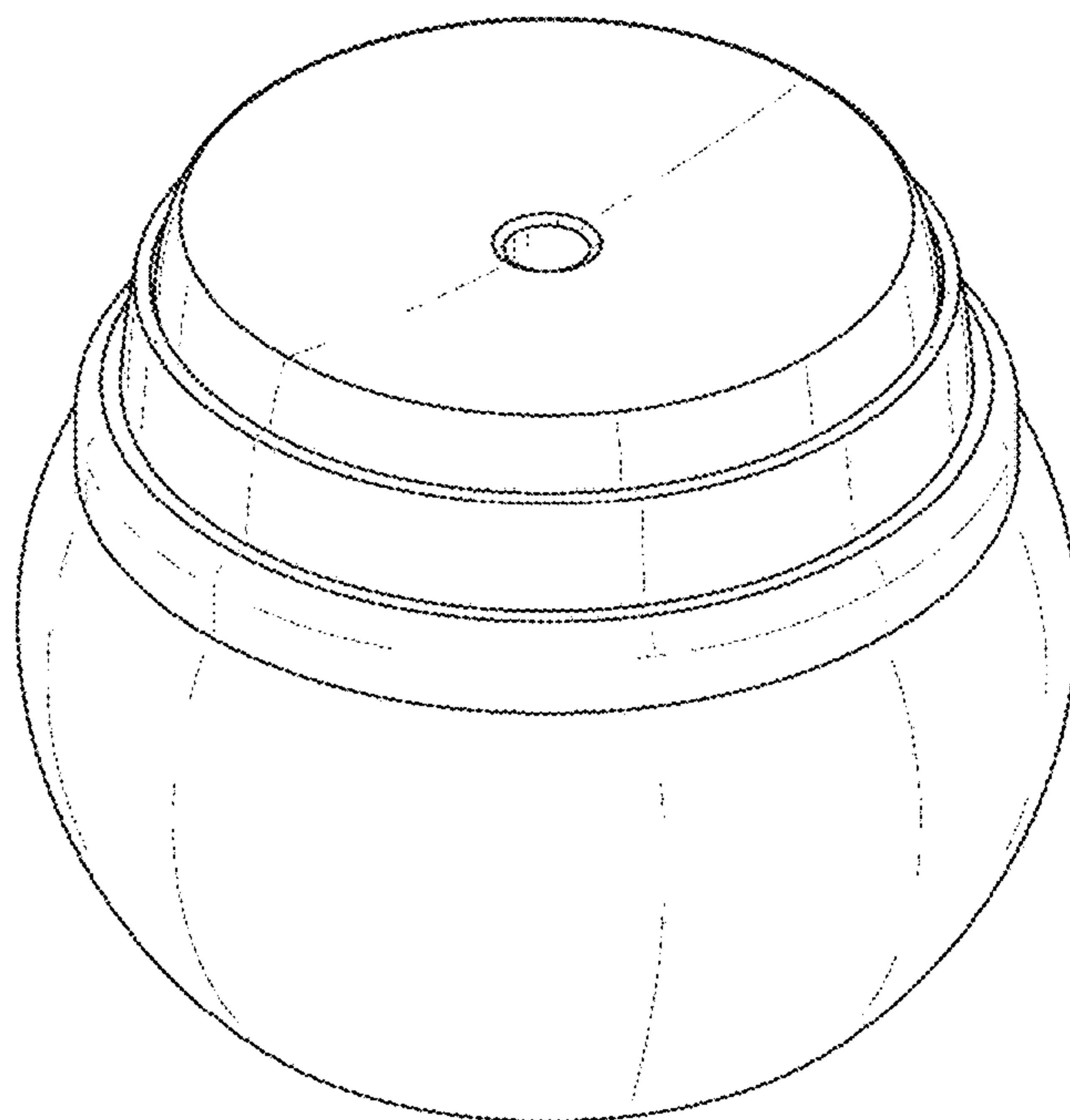
*Primary Examiner* — Dana Meyrow  
(74) *Attorney, Agent, or Firm* — Novick, Kim & Lee,  
PLLC; Sang Ho Lee; Hyun Woo Shin

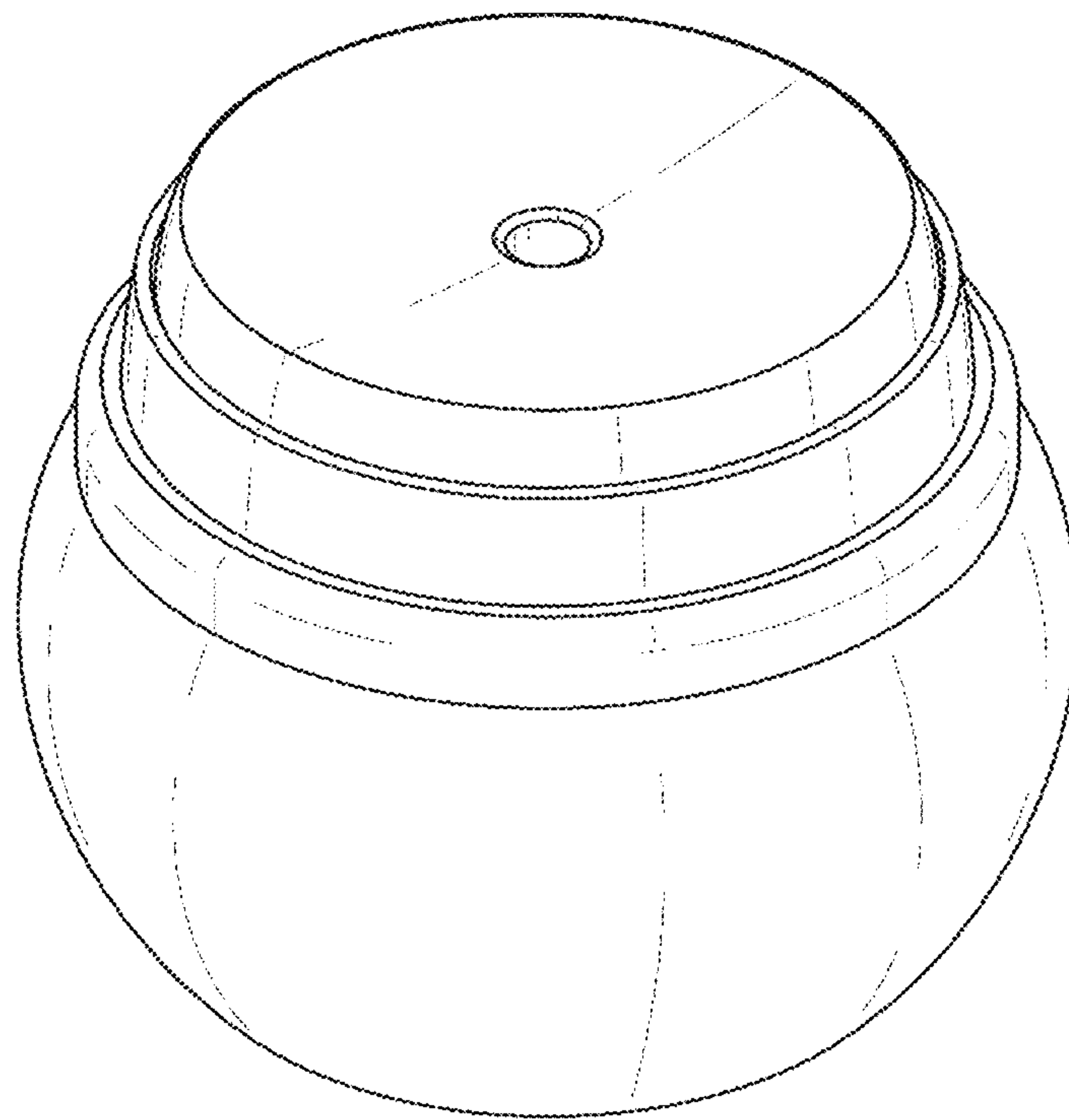
(57) **CLAIM**  
I claim the ornamental design for a container for cosmetics,  
as shown and described.

**DESCRIPTION**

FIG. 1 is a perspective view of a container for cosmetics,  
showing my new design;  
FIG. 2 is a front elevational view thereof;  
FIG. 3 is a rear elevational view thereof;  
FIG. 4 is a left side elevational view thereof;  
FIG. 5 is a right side elevational view thereof;  
FIG. 6 is a top plan view thereof;  
FIG. 7 is a bottom plan view thereof; and,  
FIG. 8 is a sectional view of taken along line 8-8 of FIG. 6,  
and shows a cylindrical inner container in broken lines.  
The broken lines in the drawings show portion of the  
container for cosmetics which form no part of the claimed  
design.

**1 Claim, 5 Drawing Sheets**





**FIG. 1**

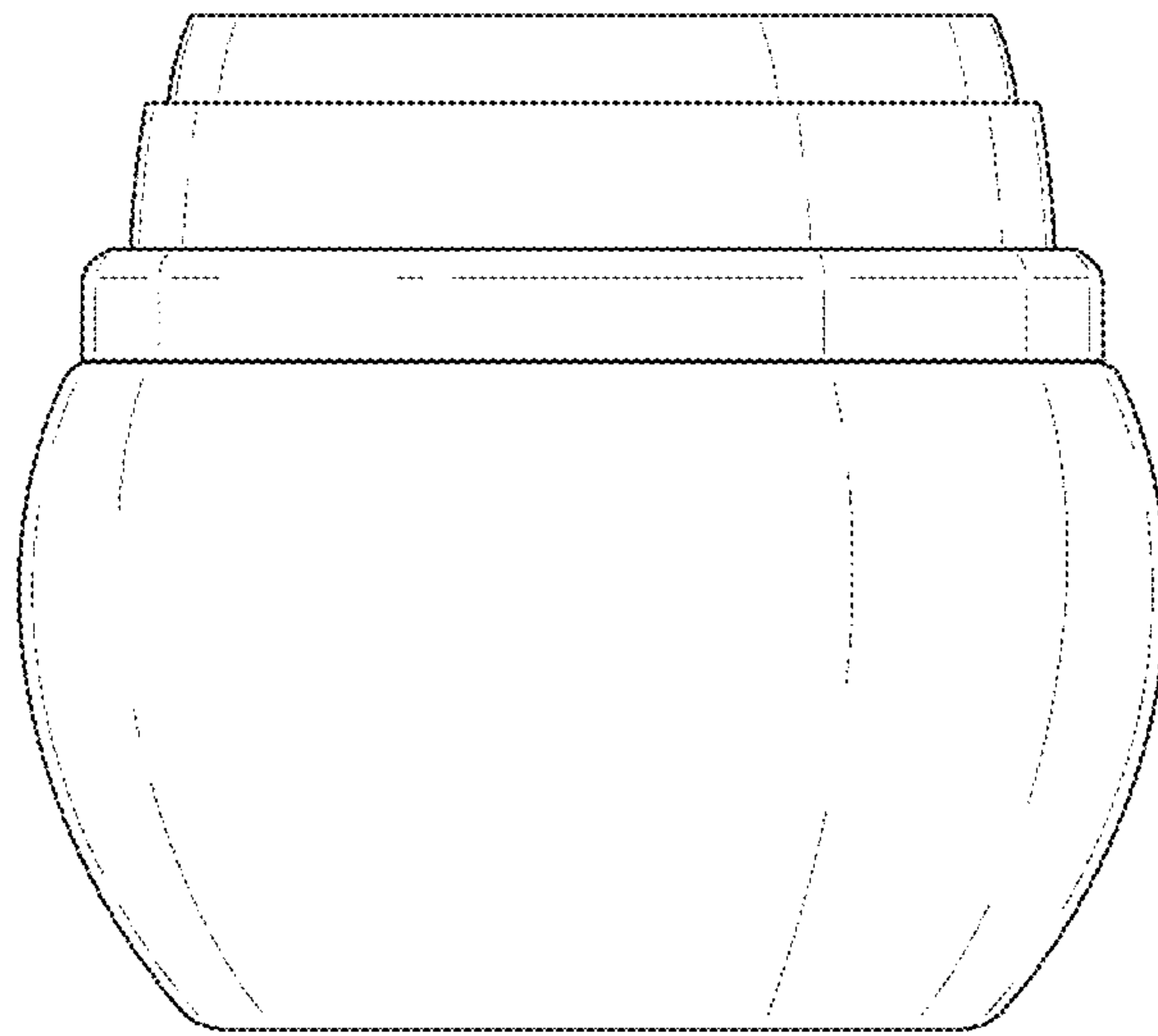


FIG. 2

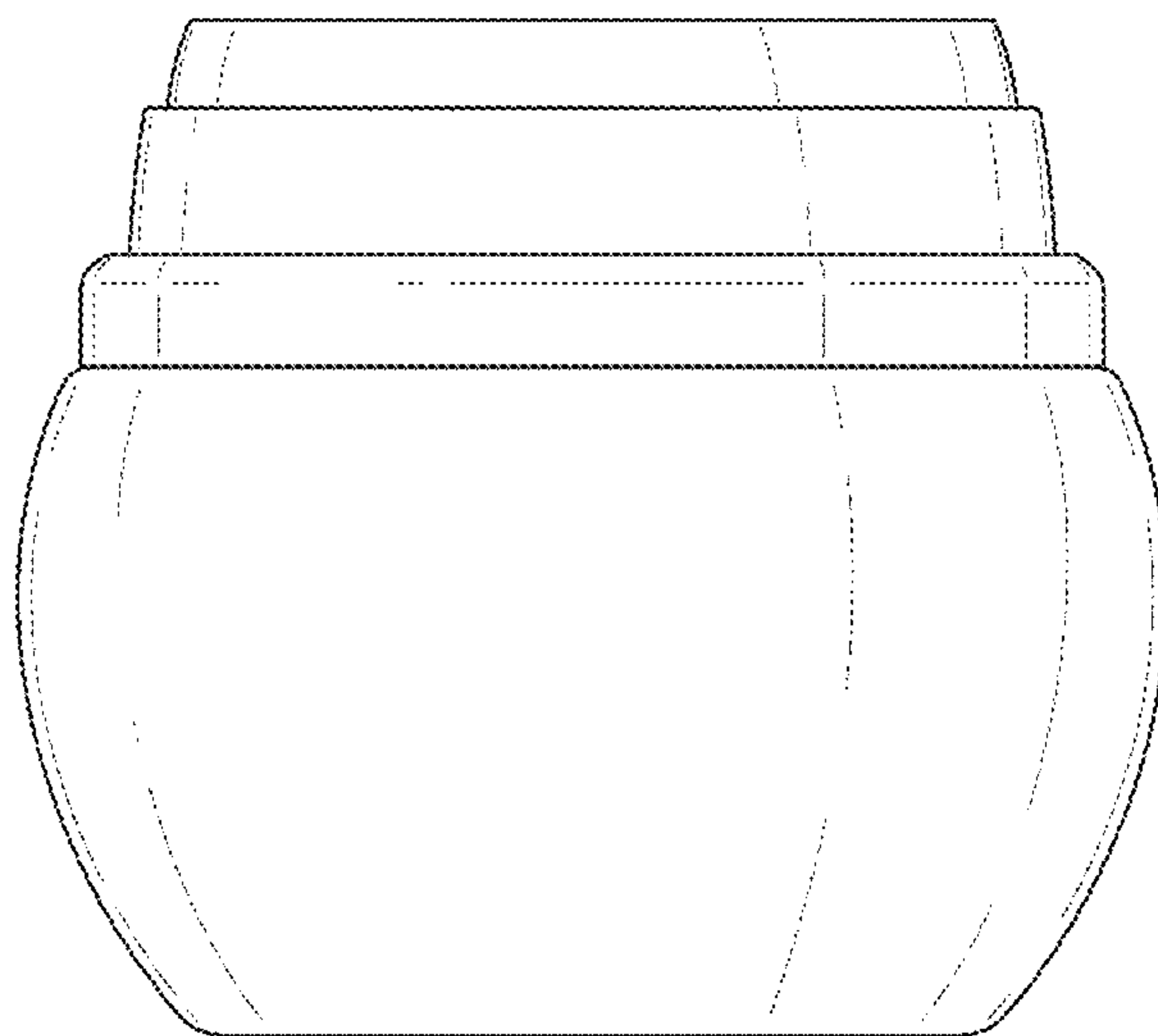
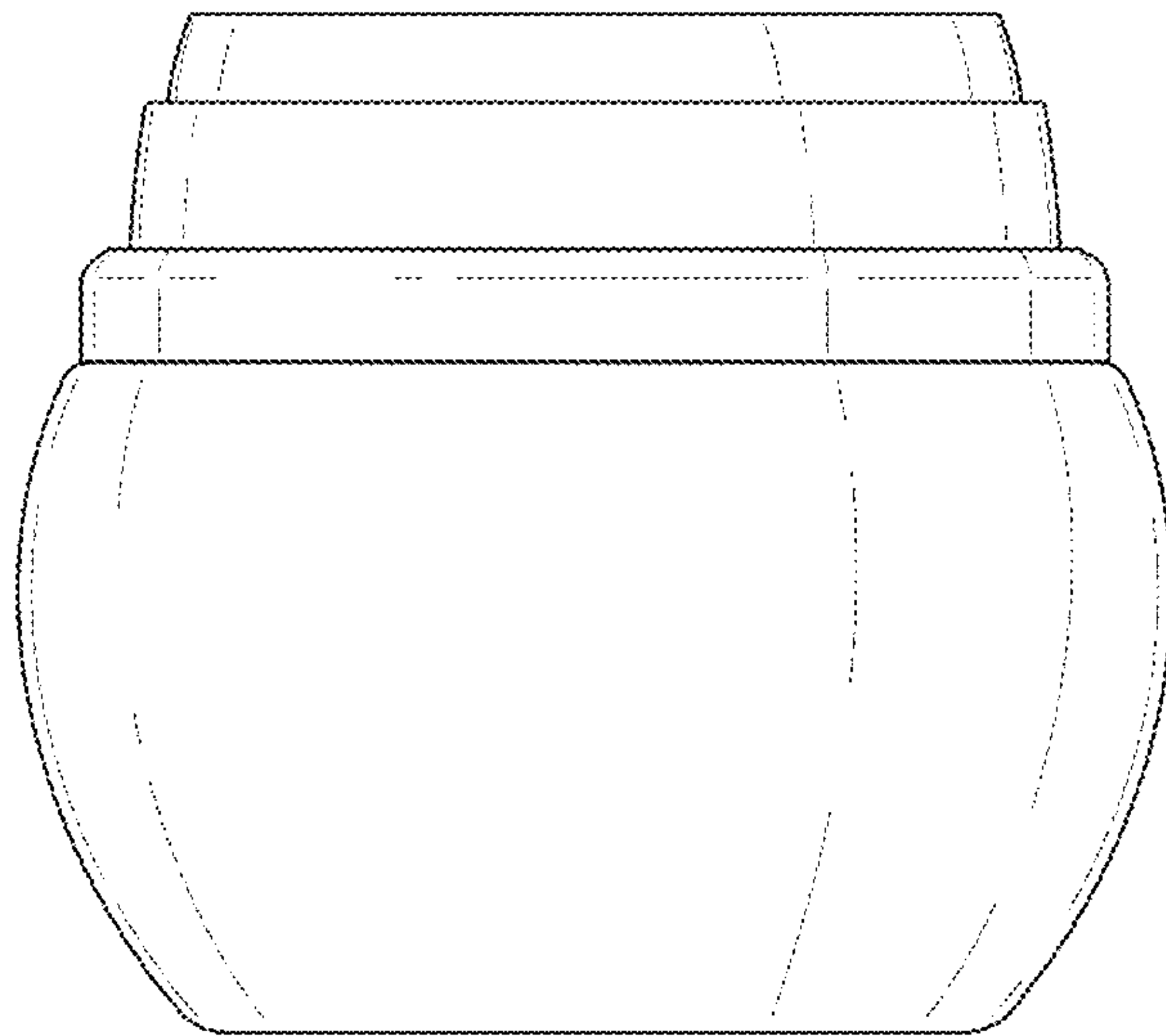
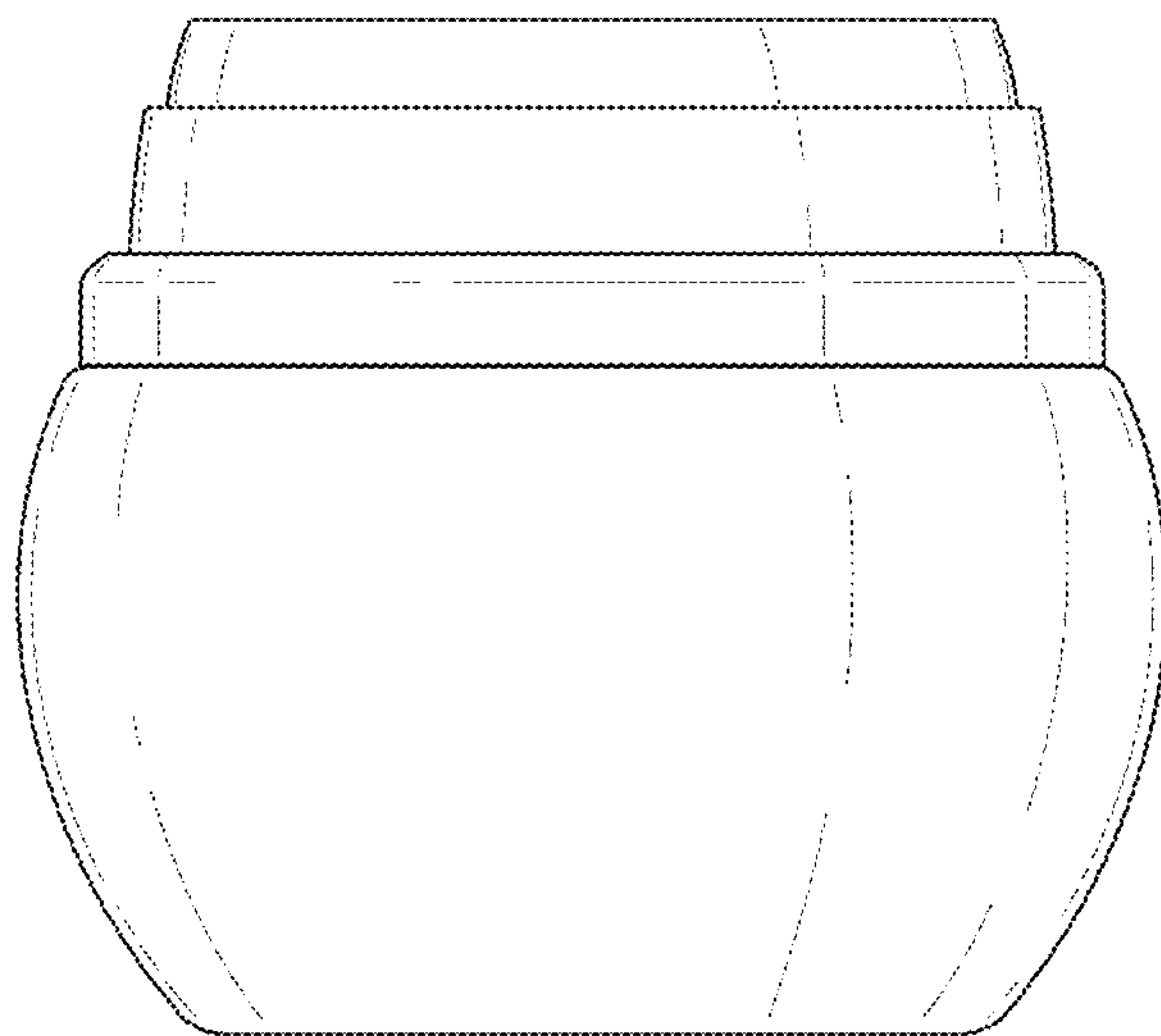


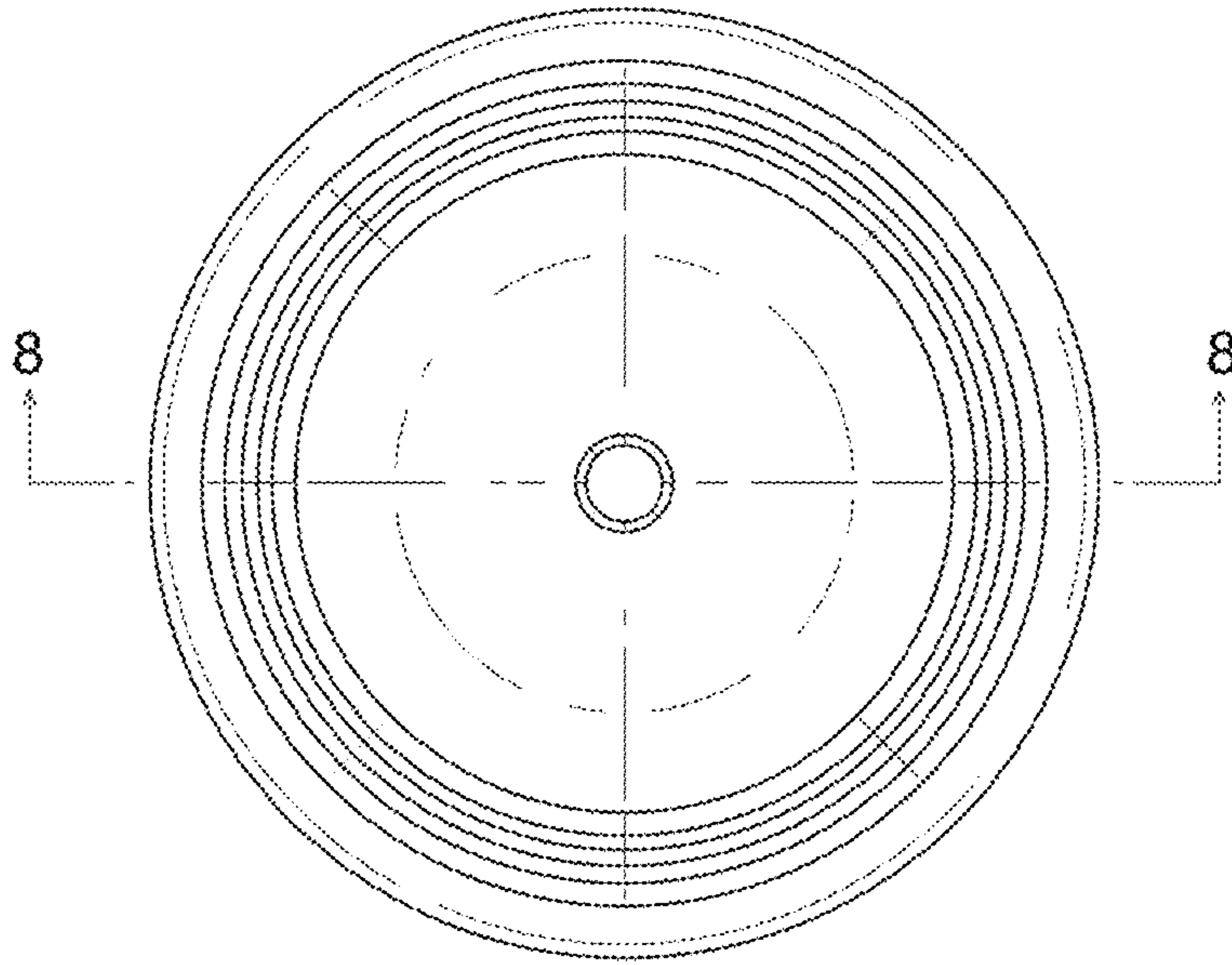
FIG. 3



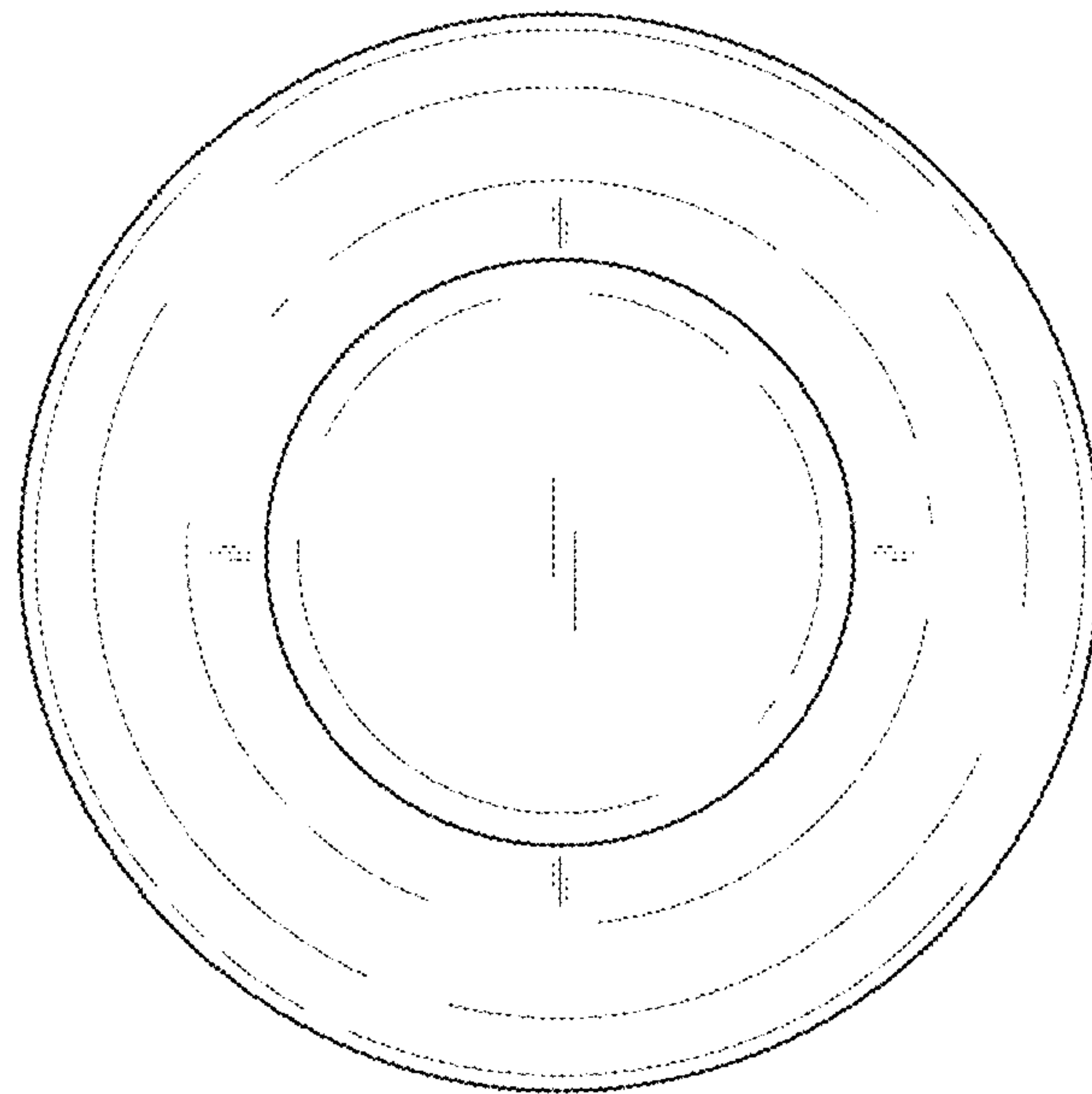
**FIG. 4**



**FIG. 5**



**FIG. 6**



**FIG. 7**

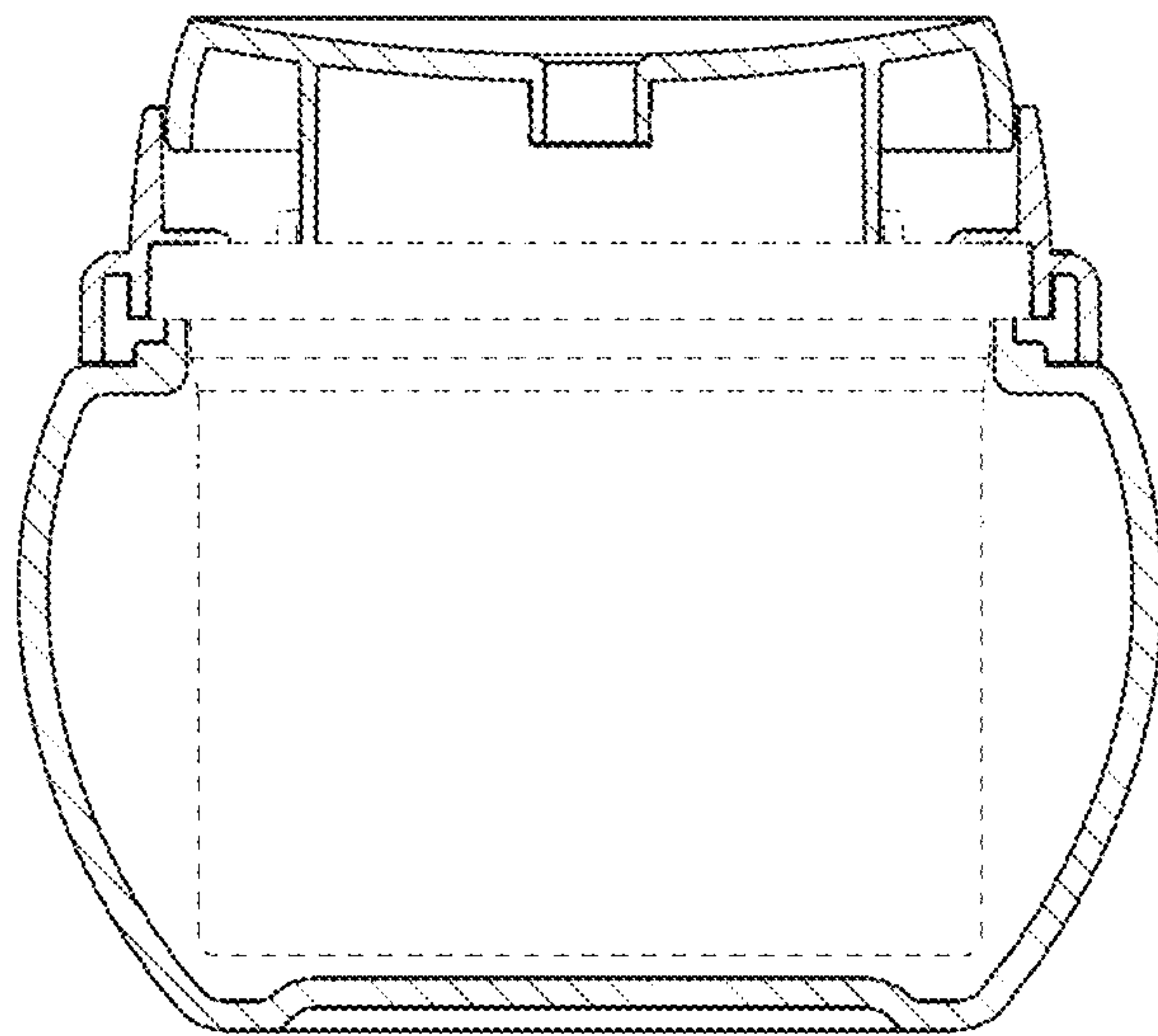


FIG. 8