

US00D869286S

(12) **United States Design Patent** (10) **Patent No.:** **US D869,286 S**  
**Aboabdo** (45) **Date of Patent:** **\*\* Dec. 10, 2019**

(54) **BOTTLE**  
(71) Applicant: **Chubby Gorilla, Inc.**, Santa Fe Springs, CA (US)  
(72) Inventor: **Ibrahiem H. Aboabdo**, Yorba Linda, CA (US)  
(73) Assignee: **Chubby Gorilla, Inc.**, Santa Fe Springs, CA (US)  
(\*\*) Term: **15 Years**

*Primary Examiner* — Sandra L Morris  
(74) *Attorney, Agent, or Firm* — Knobbe Martens Olson & Bear, LLP

(57) **CLAIM**

The ornamental design for bottle, as shown and described herein.

**DESCRIPTION**

(21) Appl. No.: **29/648,861**  
(22) Filed: **May 24, 2018**  
(51) **LOC (12) Cl.** ..... **09-01**  
(52) **U.S. Cl.**  
USPC ..... **D9/680**; D22/116  
(58) **Field of Classification Search**  
USPC ..... D9/600, 679–680, 500–505, 516, D9/537–545, 548, 434–454; 206/457, 206/494, 459.5, 527, 540; 229/116.1; 215/381–384, 400; D7/514–516, 539, D7/544, 571, 579, 604, 613, 619.2, D7/628–630, 391–392.1; D3/270–271.3; D22/116  
CPC ..... B65D 67/00; B65D 81/36; B65D 81/60; B65D 81/368; B65D 2203/00; B65D 2203/02; B65D 5/42; B65D 5/4208; B65D 77/00; A63H 33/16  
See application file for complete search history.

FIG. 1 is a top perspective view of a first embodiment of a bottle embodying the new design.  
FIG. 2 is a bottom perspective view thereof.  
FIG. 3 is a front view thereof.  
FIG. 4 is a rear view thereof.  
FIG. 5 is a first side view thereof.  
FIG. 6 is a second side view thereof.  
FIG. 7 is a top view thereof.  
FIG. 8 is a bottom view thereof.  
FIG. 9 is an exploded perspective view thereof.  
FIG. 10 is an exploded front view thereof.  
FIG. 11 is a top perspective view of a second embodiment of a bottle embodying the new design.  
FIG. 12 is a bottom perspective view thereof.  
FIG. 13 is a front view thereof.  
FIG. 14 is a rear view thereof.  
FIG. 15 is a first side view thereof.  
FIG. 16 is a second side view thereof.  
FIG. 17 is a top view thereof.  
FIG. 18 is a bottom view thereof.  
FIG. 19 is an exploded perspective view thereof; and,  
FIG. 20 is an exploded front view thereof.

The second embodiment is shown with a symbolic break in its length, represented by break lines. The appearance of any portion of the article between the break lines forms no part of the claimed subject matter.

All features in broken lines are for the purpose of illustrating environmental structure and form no part of the claimed subject matter.

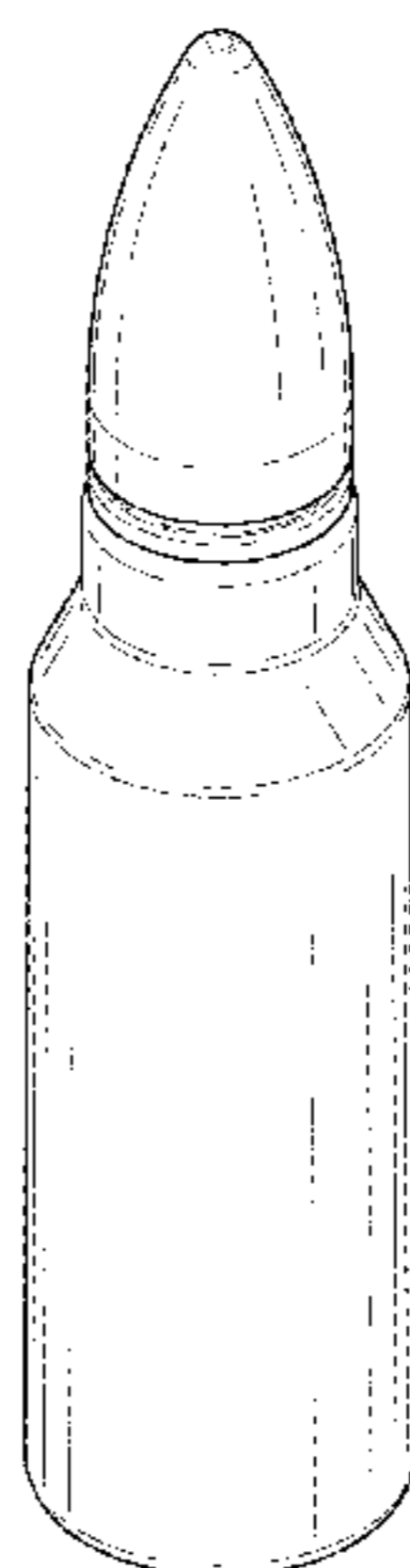
(56) **References Cited**

U.S. PATENT DOCUMENTS

D368,425 S *	4/1996	Newell	.....	D9/600
D381,897 S *	8/1997	Matthiesen	.....	D22/116
D435,886 S *	1/2001	Benini	.....	D22/116
D533,044 S *	12/2006	Buening	.....	D8/103
D546,657 S *	7/2007	Buening	.....	D8/103
D646,179 S *	10/2011	Jansen	.....	D22/116
D759,189 S *	6/2016	Pederson	.....	D22/116

(Continued)

**1 Claim, 12 Drawing Sheets**



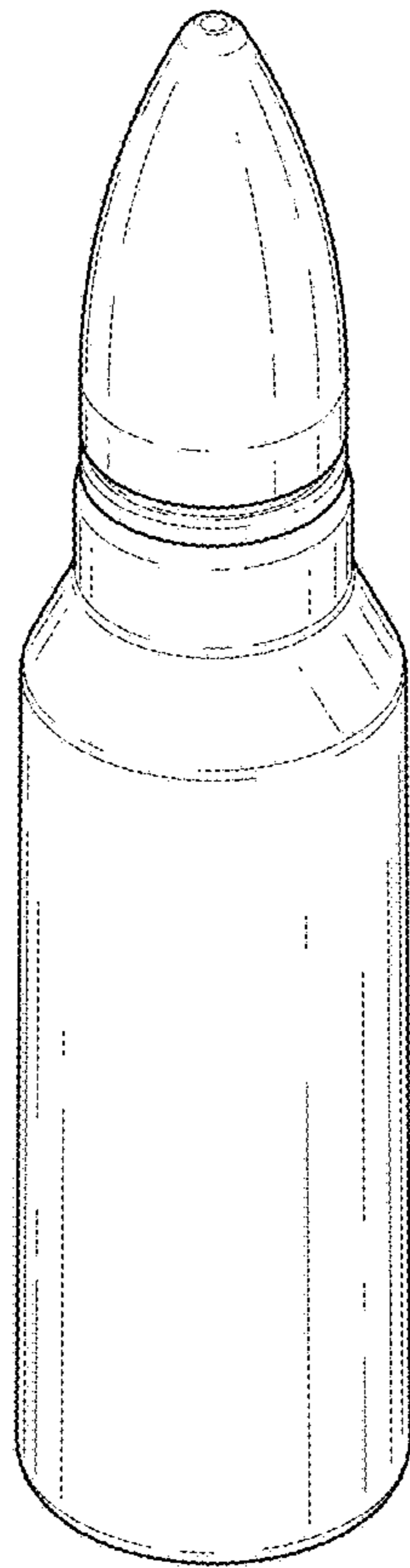
(56)

**References Cited**

U.S. PATENT DOCUMENTS

D768,802 S \* 10/2016 Bowers ..... D22/116  
D808,293 S \* 1/2018 Lenzmeier ..... D11/81  
D832,718 S \* 11/2018 Aboabdo ..... D9/680  
D836,457 S \* 12/2018 Johnson ..... D9/680

\* cited by examiner



*FIG. 1*

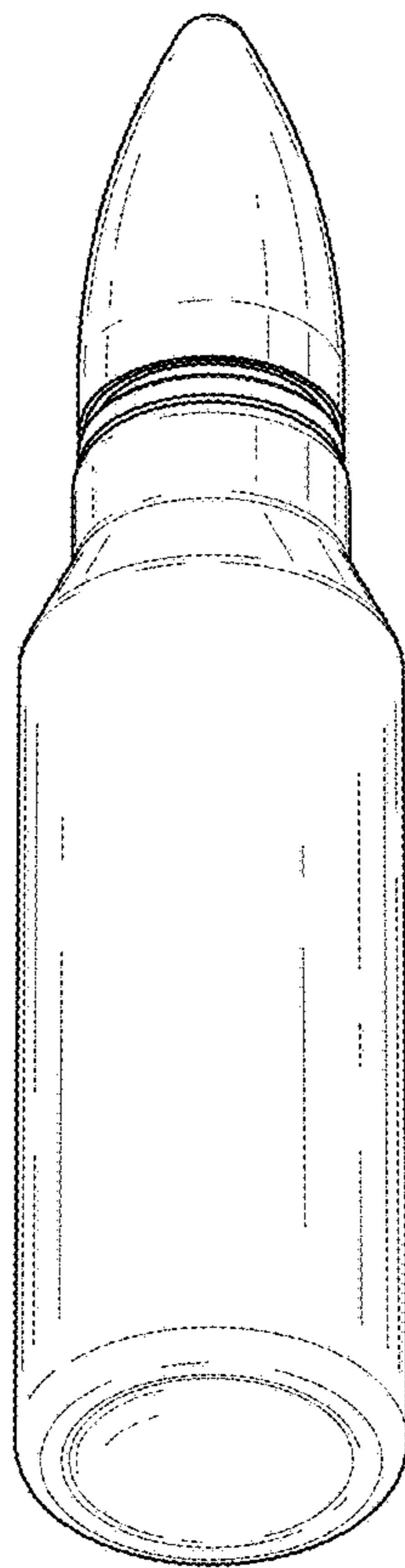


FIG. 2

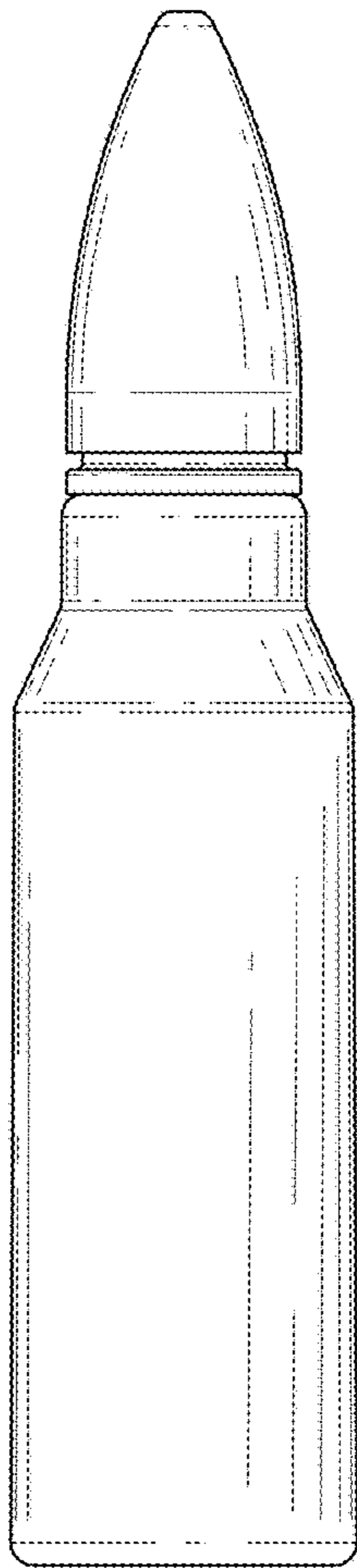


FIG. 3

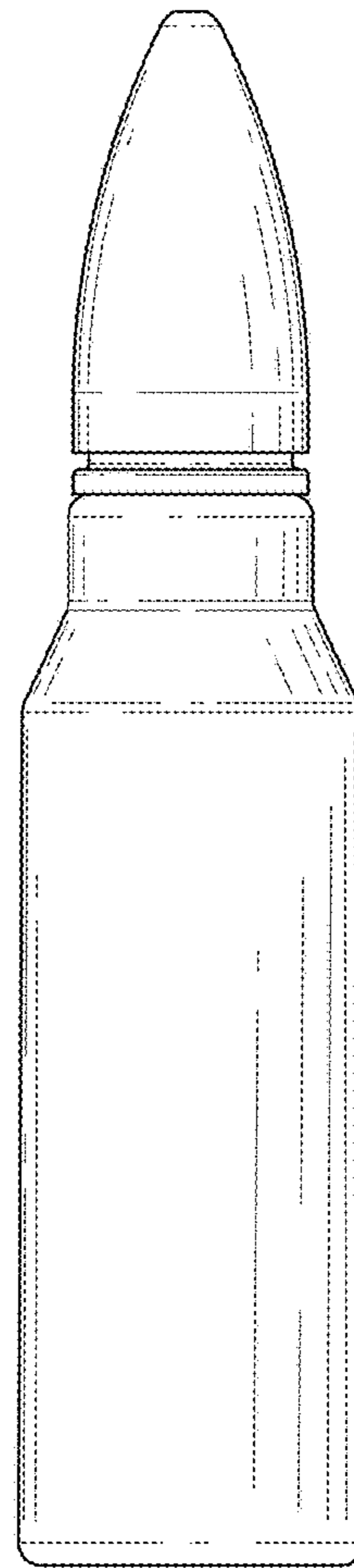


FIG. 4

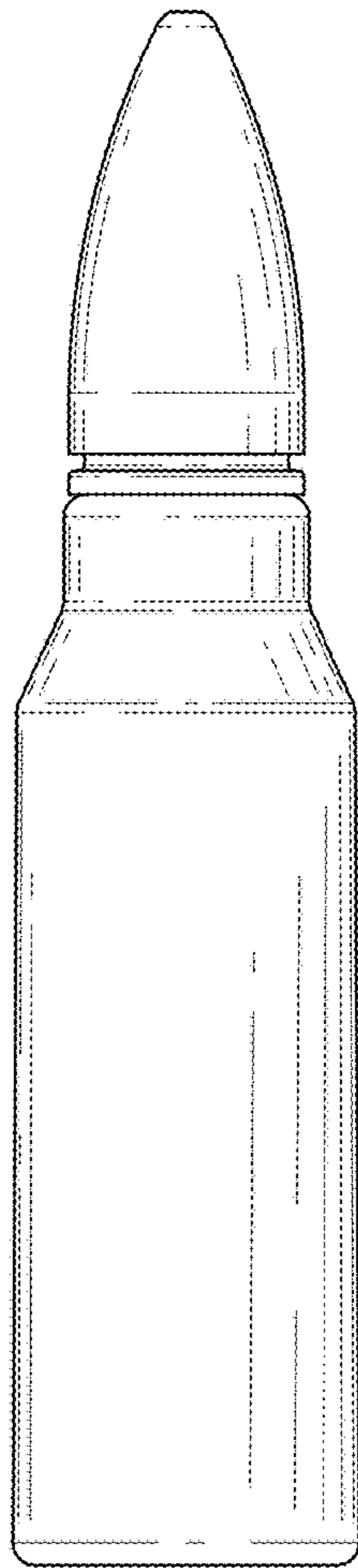


FIG. 5

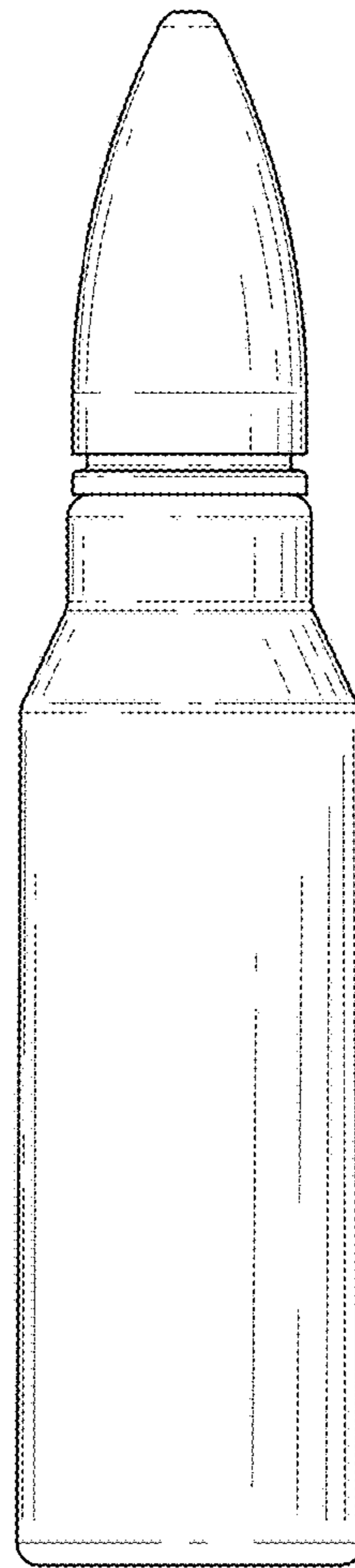


FIG. 6

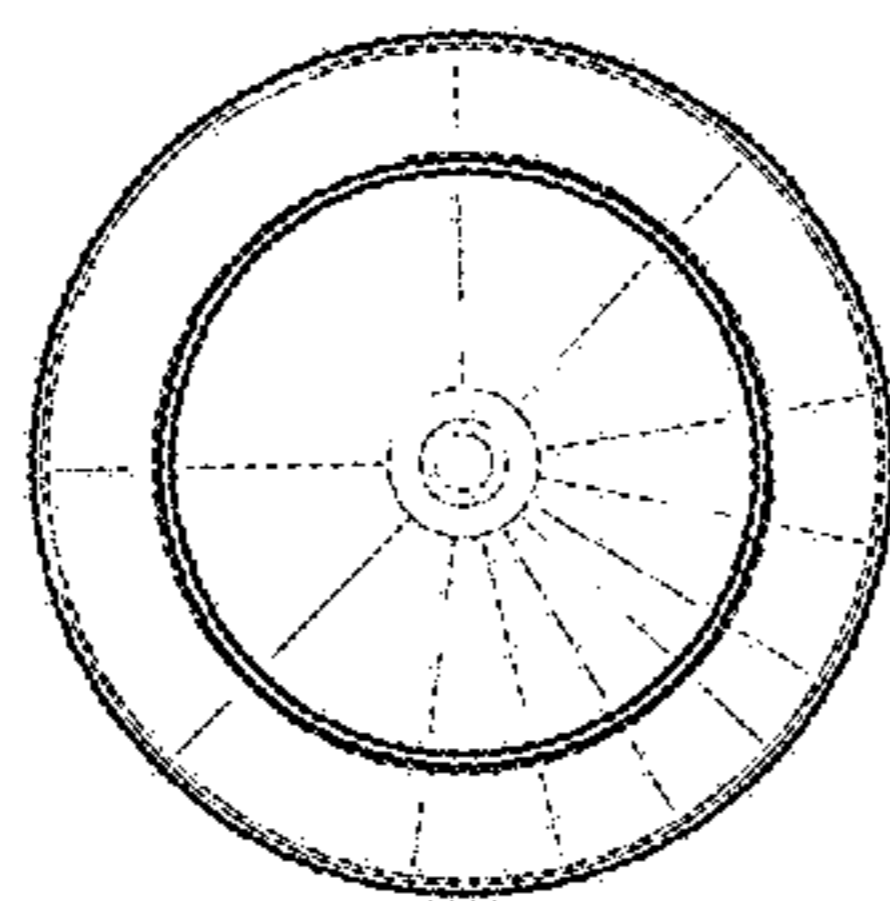


FIG. 7

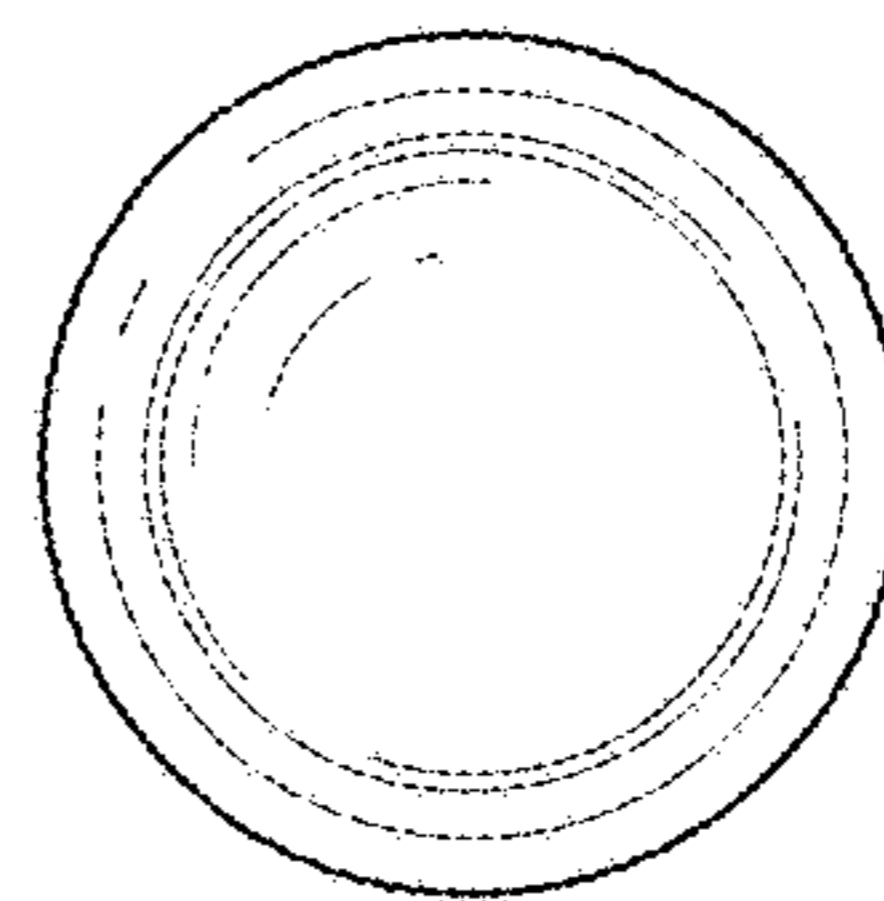


FIG. 8

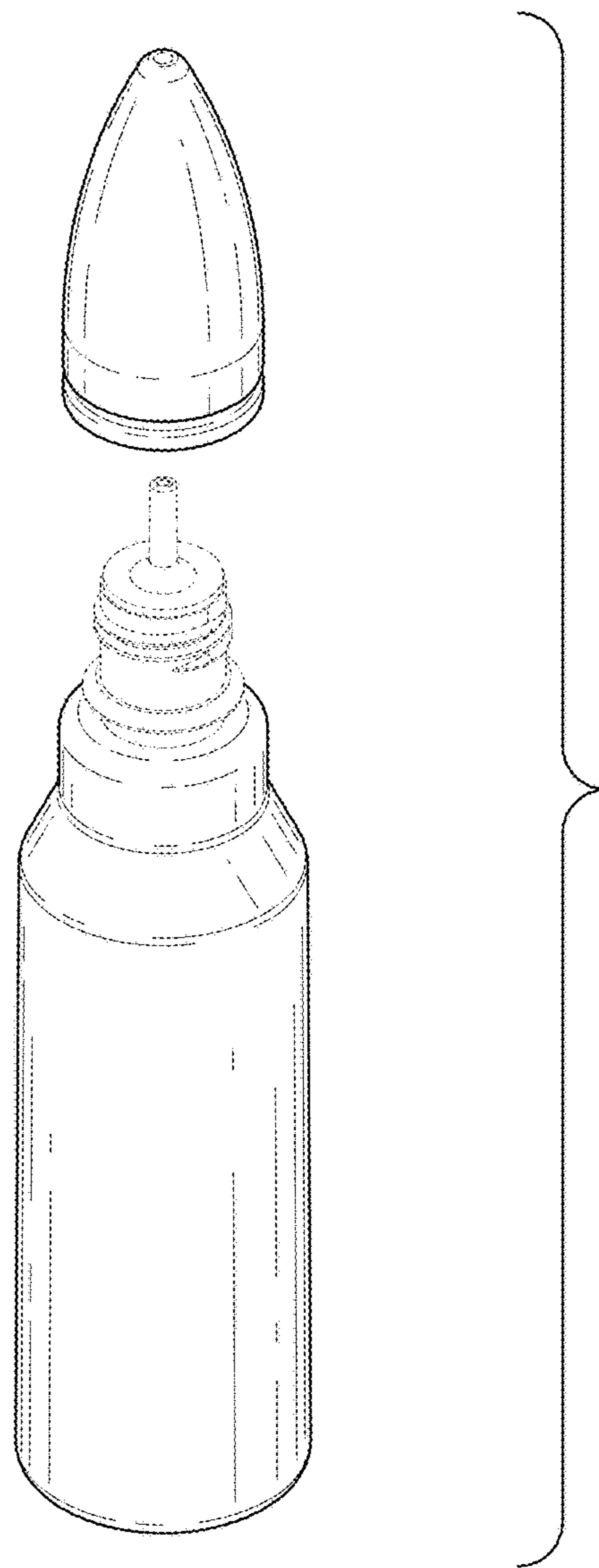


FIG. 9

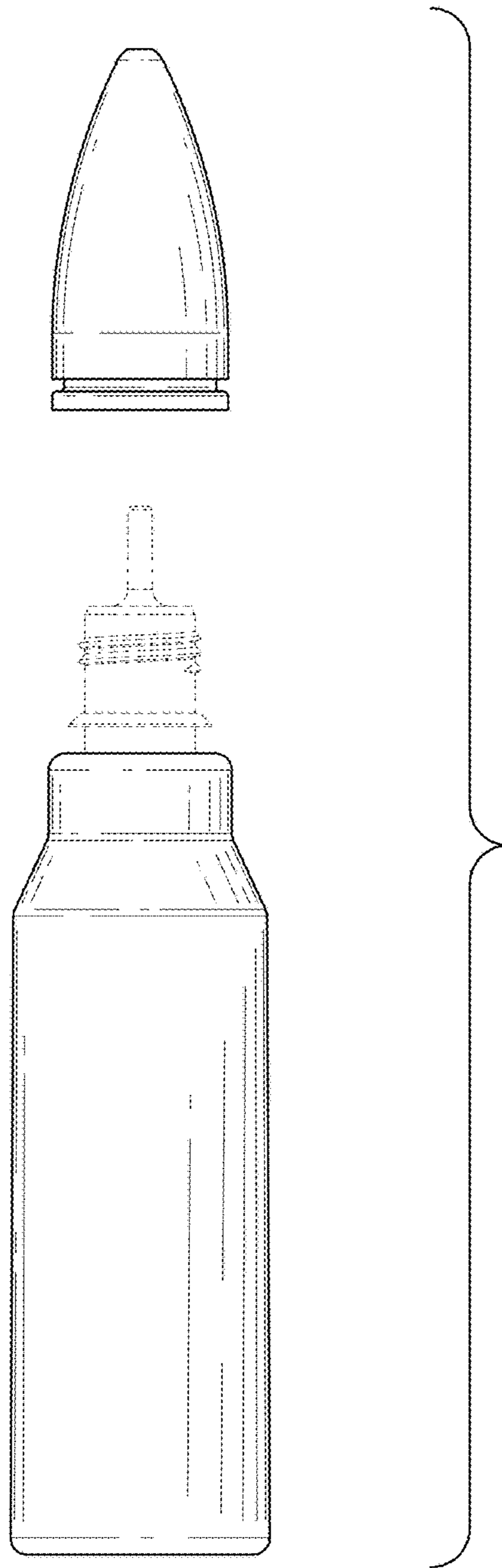


FIG. 10



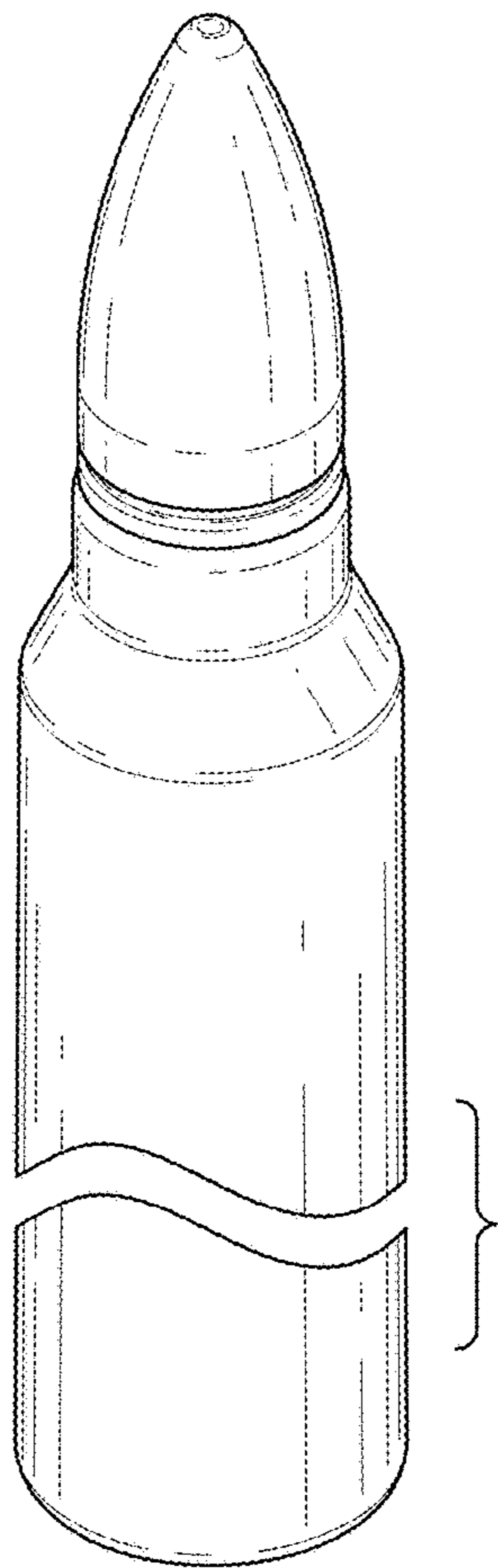


FIG. 11

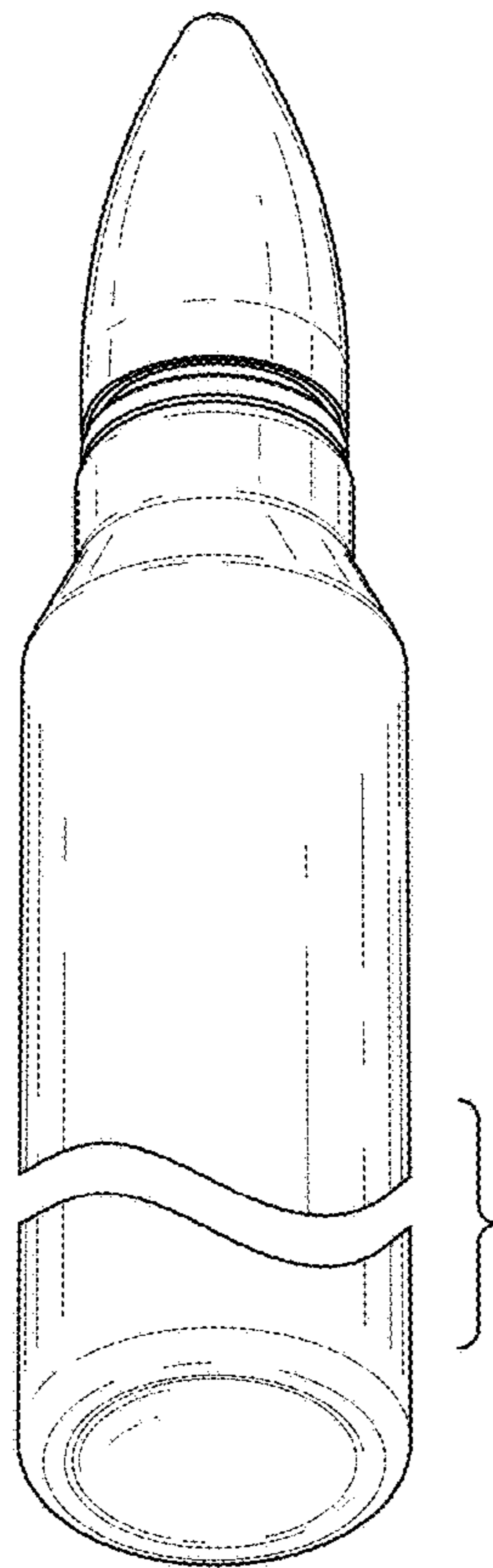


FIG. 12

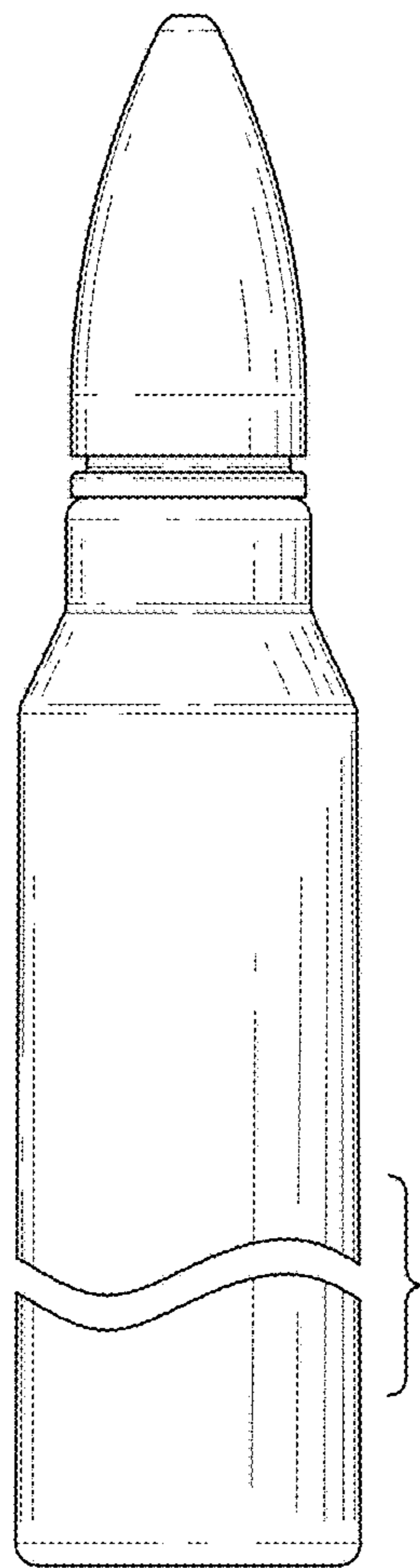


FIG. 13

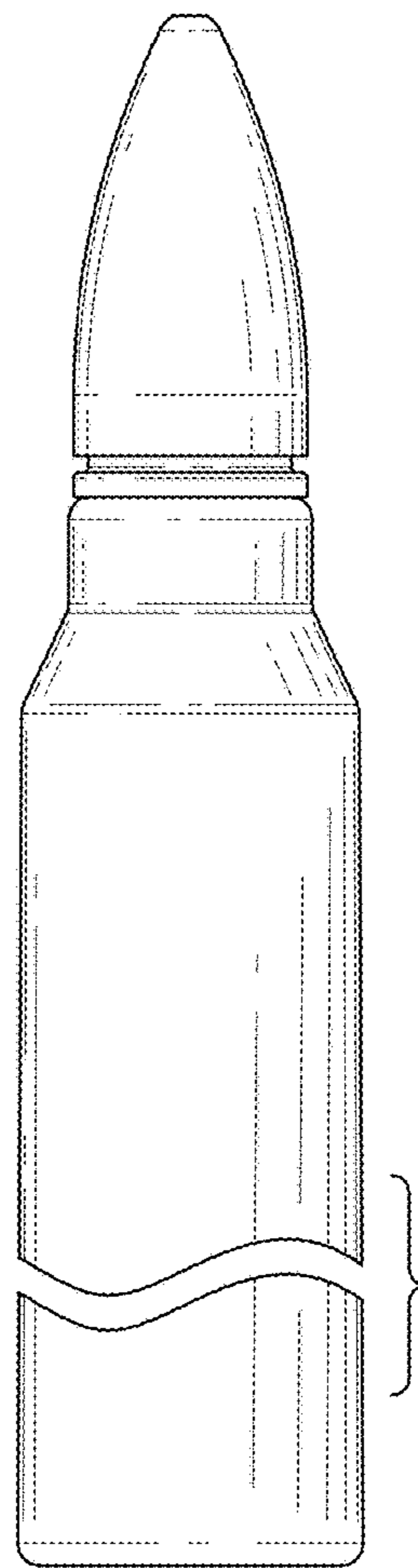


FIG. 14

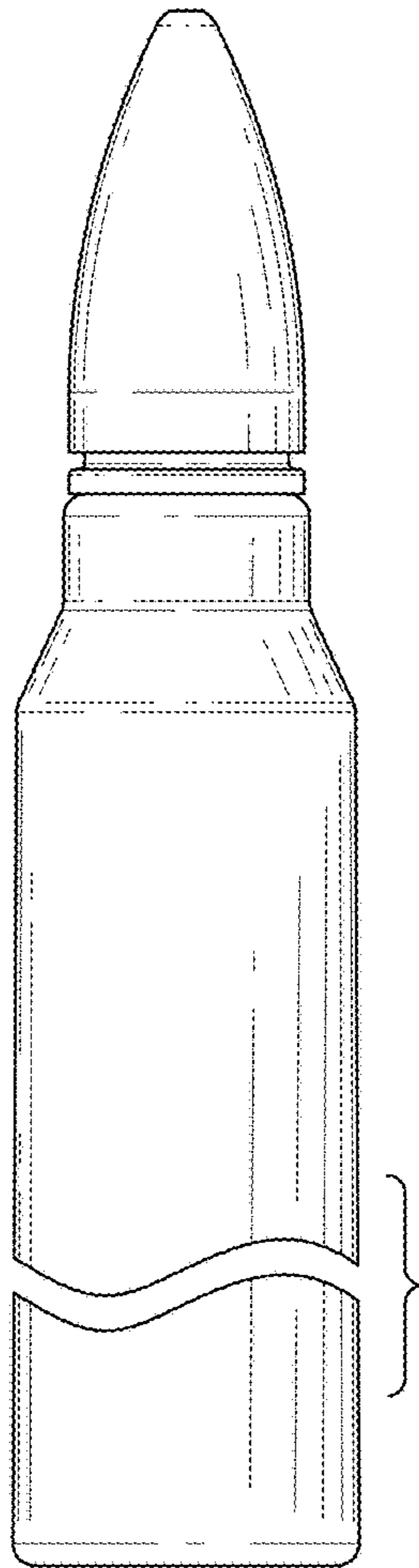


FIG. 15

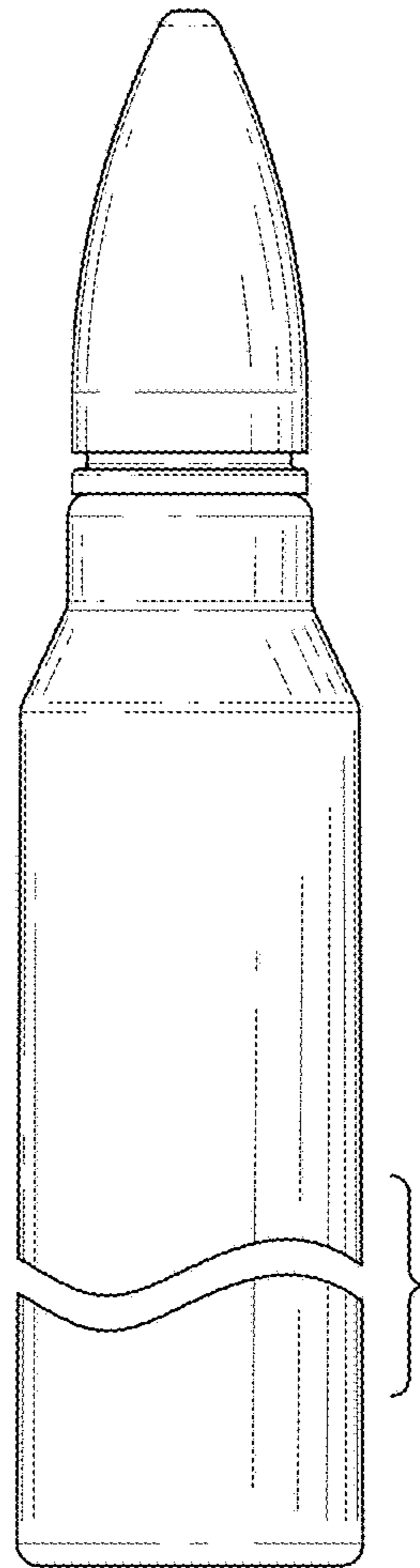


FIG. 16

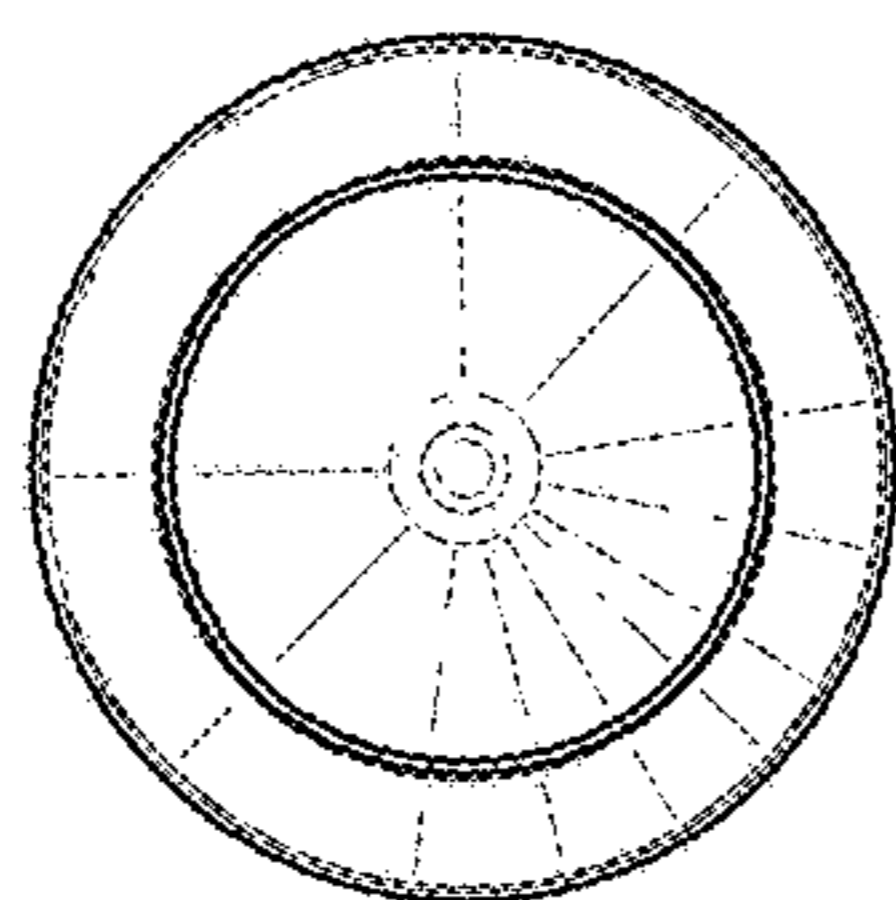


FIG. 17

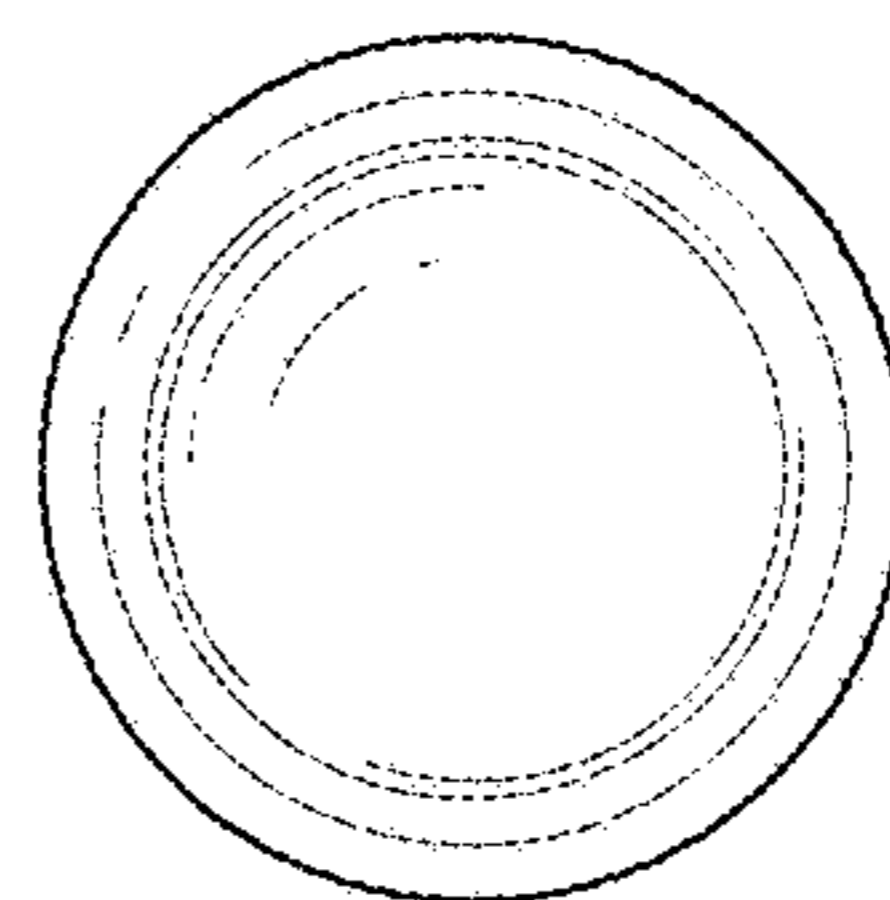


FIG. 18

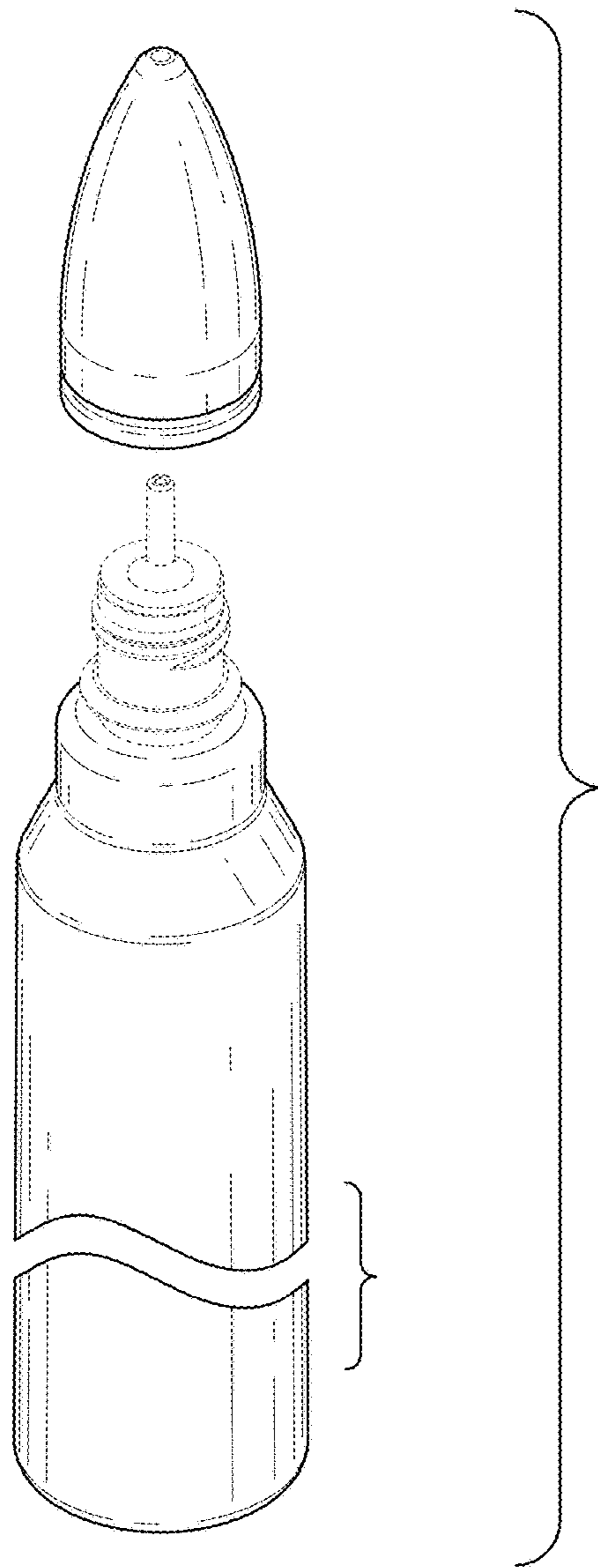


FIG. 19

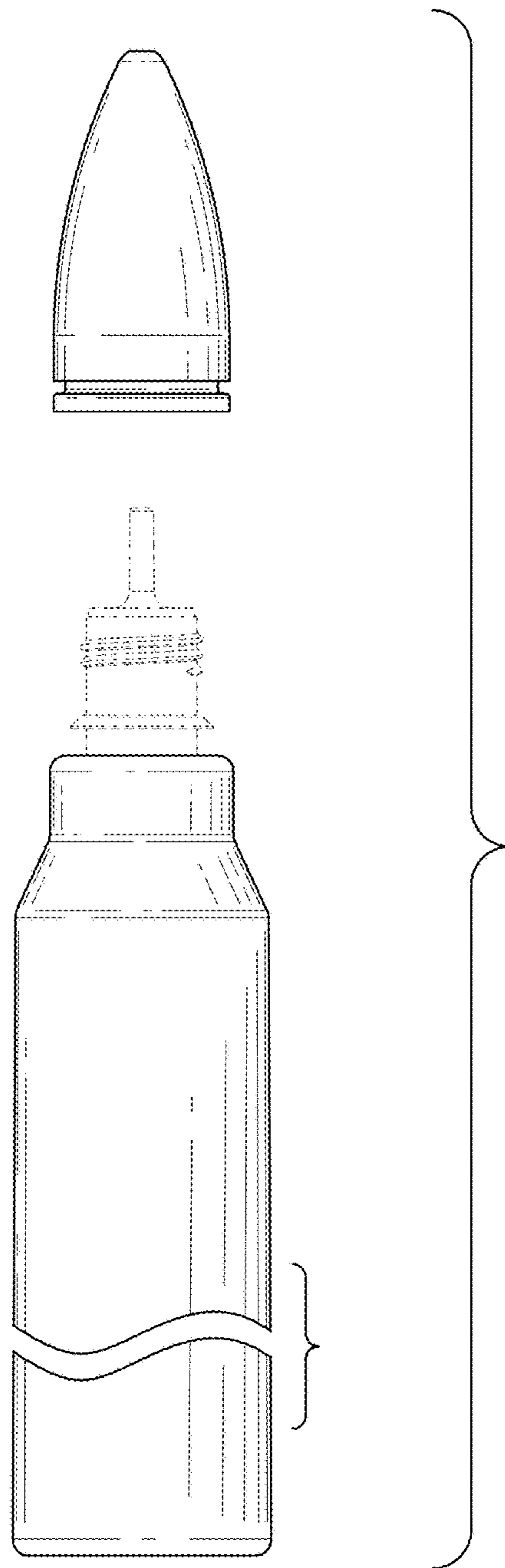


FIG. 20