



US00D869284S

(12) **United States Design Patent** (10) **Patent No.:** **US D869,284 S**  
**Laughlin et al.** (45) **Date of Patent:** **\*\* Dec. 10, 2019**

(54) **EVAPORATOR BOTTLE**

(71) Applicant: **Thermacell Repellents, Inc.**, Bedford, MA (US)

(72) Inventors: **Charles A Laughlin**, Bedford, MA (US); **Adam A Chojnacki**, Bedford, MA (US)

(73) Assignee: **Thermacell Repellents, Inc.**, Bedford, MA (US)

(\*\*) Term: **15 Years**

(21) Appl. No.: **29/609,876**

(22) Filed: **Jul. 6, 2017**

(51) **LOC (12) Cl.** ..... **09-01**

(52) **U.S. Cl.**  
USPC ..... **D9/572; D28/76**

(58) **Field of Classification Search**  
USPC ..... D7/300–322, 391–396.2, 509–511, 523, D7/589, 598, 612, 615, 619.1; D9/435, D9/436, 439, 440, 443, 447, 454, 500, D9/503–505, 516–575, 763–783; 215/40–55, 316–354, 370–385; 220/574–575; D4/116; D6/515–519, D6/542–545; D28/7, 57, 73, 76–91.1; D23/213  
CPC ..... B65D 1/00; B65D 1/02; B65D 1/0223; B65D 1/023; B65D 1/0276  
See application file for complete search history.

(56) **References Cited**

**U.S. PATENT DOCUMENTS**

D440,014 S \* 4/2001 de Baschmakoff ..... D28/76  
D440,713 S \* 4/2001 de Baschmakoff ..... D28/76  
D532,695 S \* 11/2006 Grant ..... D9/521  
D590,269 S \* 4/2009 Pavone ..... D28/7  
D635,294 S \* 3/2011 Hosler ..... D28/7  
D651,517 S \* 1/2012 Bonner ..... D23/211.1  
D764,110 S \* 8/2016 Teller ..... D28/82

D833,077 S \* 11/2018 Teller ..... D28/88  
D842,111 S \* 3/2019 Delia ..... D9/504  
2019/0008137 A1\* 1/2019 Shapiro ..... A01M 29/12

**OTHER PUBLICATIONS**

“Thermacell Radius Zone Mosquito Repellent.” YouTube.com. 0:15. Published Jan. 15, 2018. Accessed Nov. 26, 2018. Available online at URL: <<https://www.youtube.com/watch?v=ZiHy6rJdty0>> (Year: 2018).\*

\* cited by examiner

*Primary Examiner* — Cathron C Brooks

*Assistant Examiner* — Christian P. McLean

(74) *Attorney, Agent, or Firm* — Levisohn Berger LLP

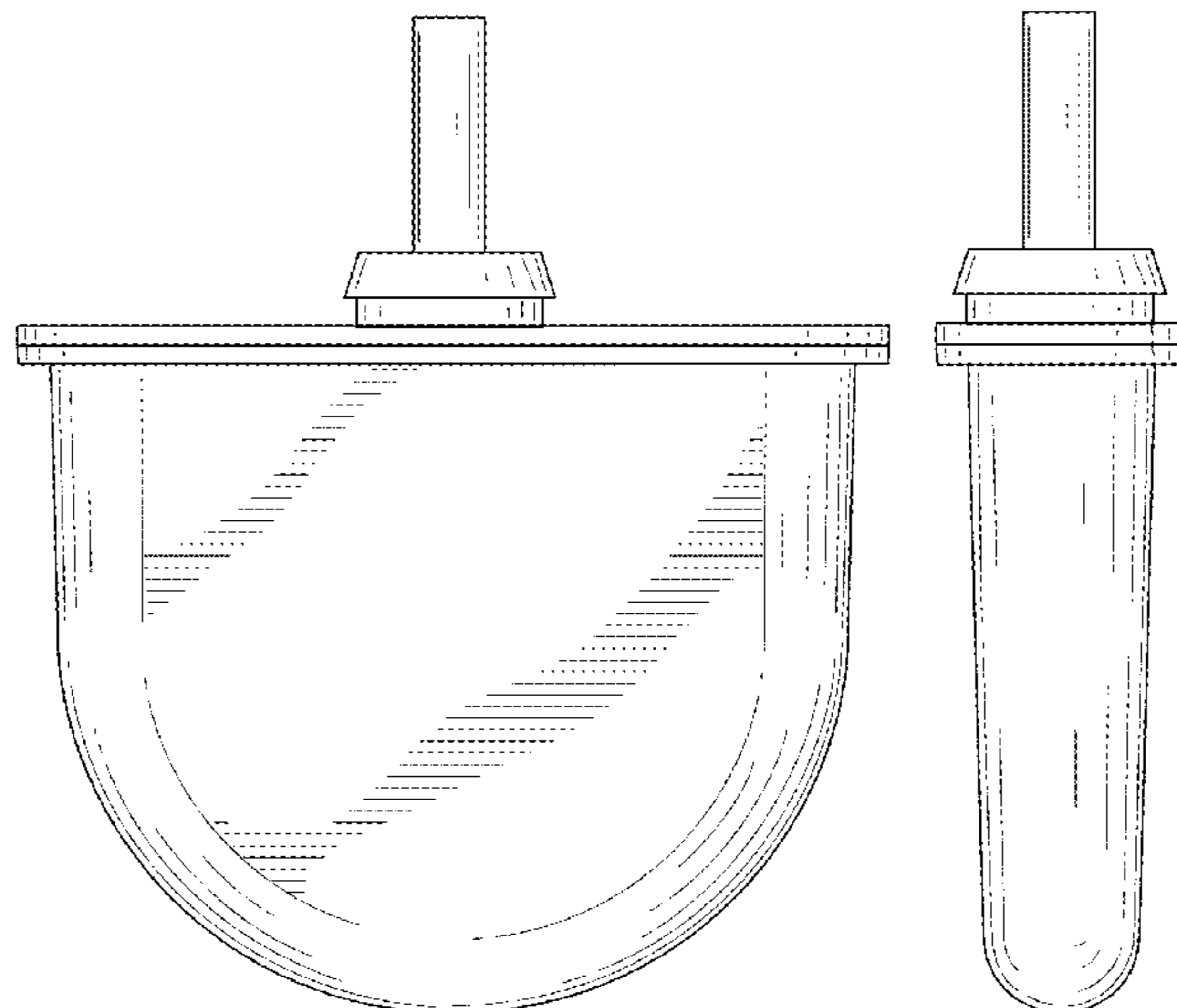
(57) **CLAIM**

The ornamental design for an evaporator bottle, as shown and described.

**DESCRIPTION**

FIG. 1 is a front elevation view of an evaporator bottle, showing our new design, the rear elevation view being identical;  
FIG. 2 is a left elevation view thereof, the right elevation view being identical;  
FIG. 3 is a bottom plan view thereof;  
FIG. 4 is a top plan view thereof;  
FIG. 5 is a perspective view thereof;  
FIG. 6 is a front elevation view of a second embodiment of an evaporator bottle, showing our new design, the rear elevation view being identical;  
FIG. 7 is a left elevation view of the second embodiment, the right elevation view being identical;  
FIG. 8 is a bottom plan view of the second embodiment thereof;  
FIG. 9 is a top plan view of the second embodiment thereof; and,  
FIG. 10 is a perspective view of the second embodiment thereof.

**1 Claim, 6 Drawing Sheets**



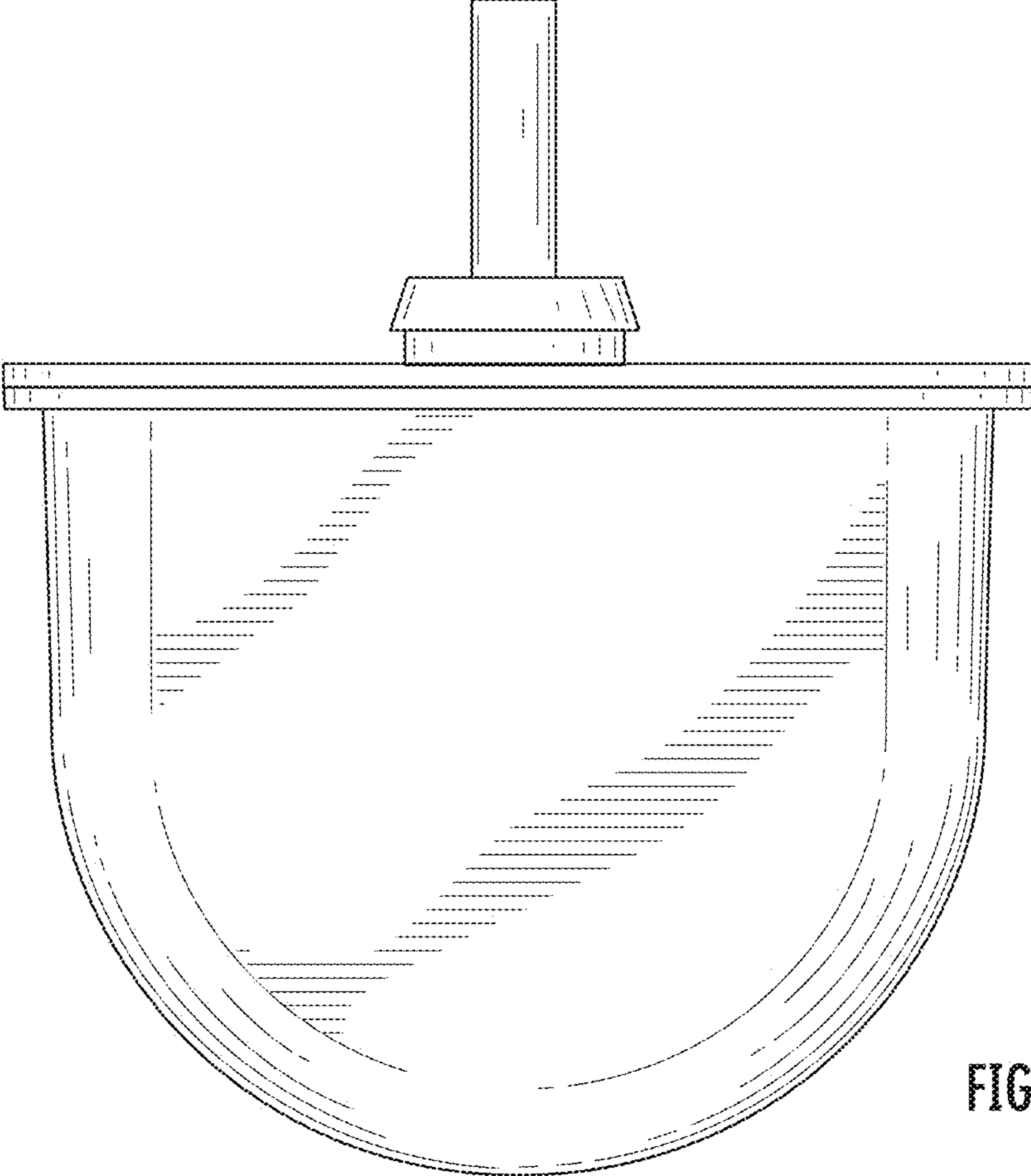


FIG. 1

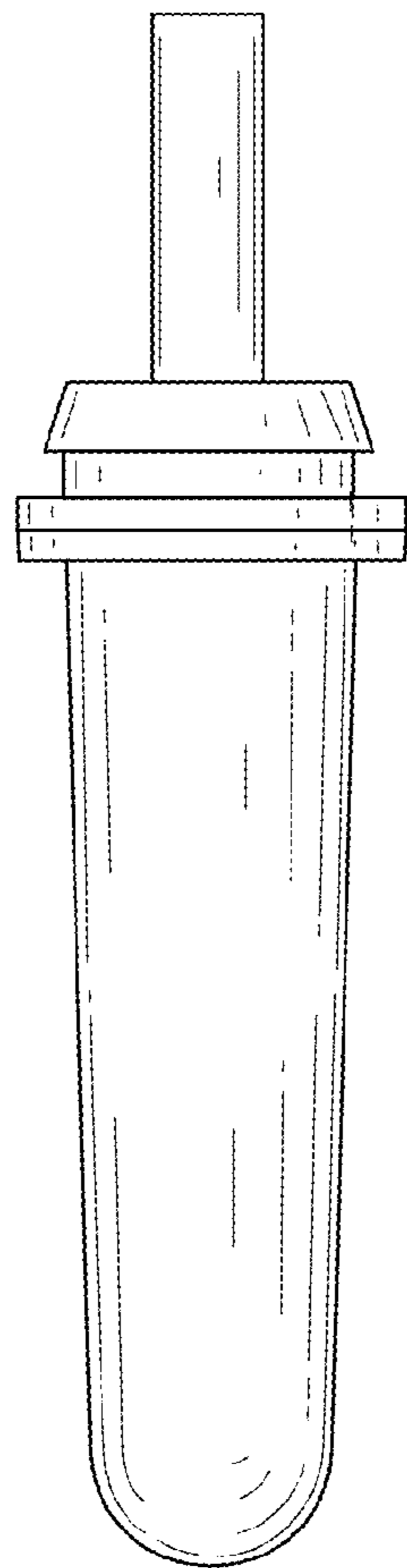


FIG. 2

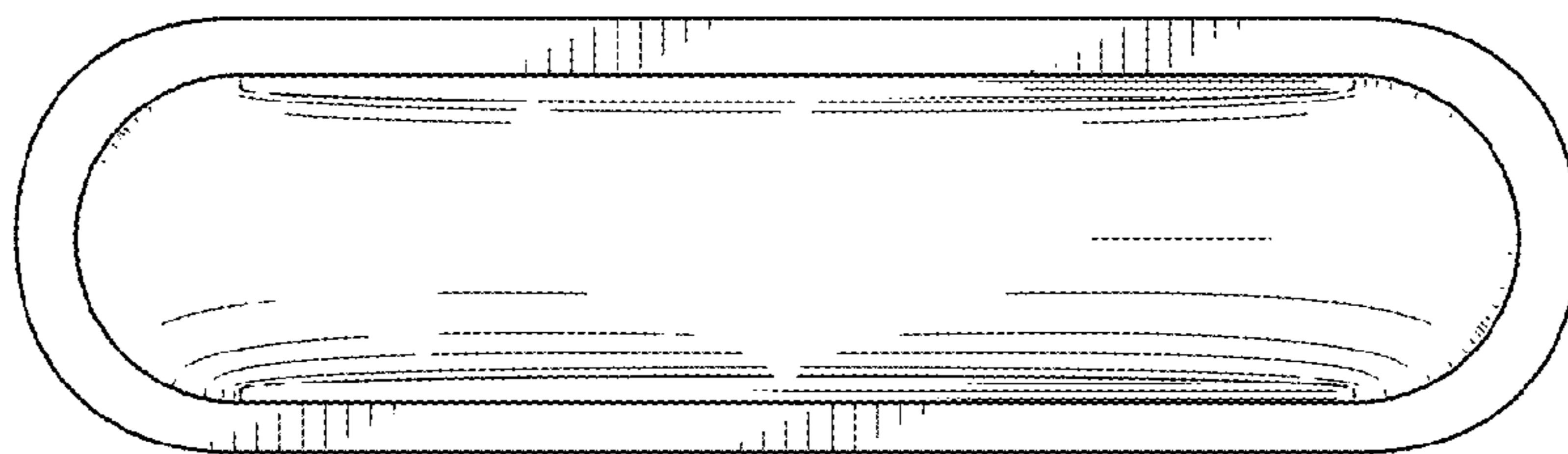


FIG. 3

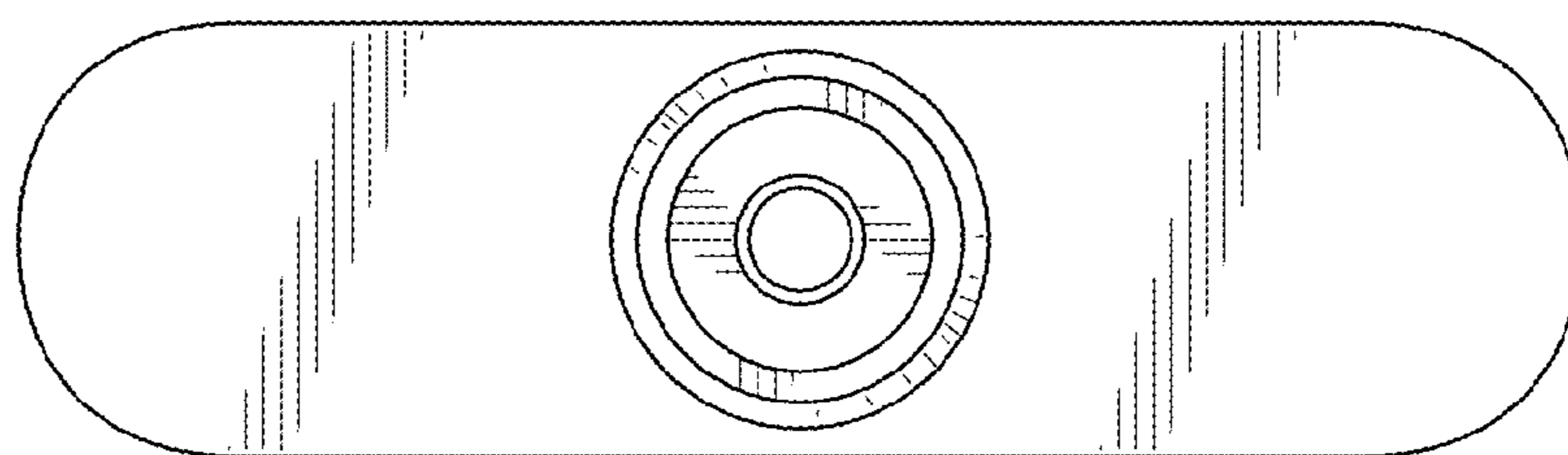


FIG. 4

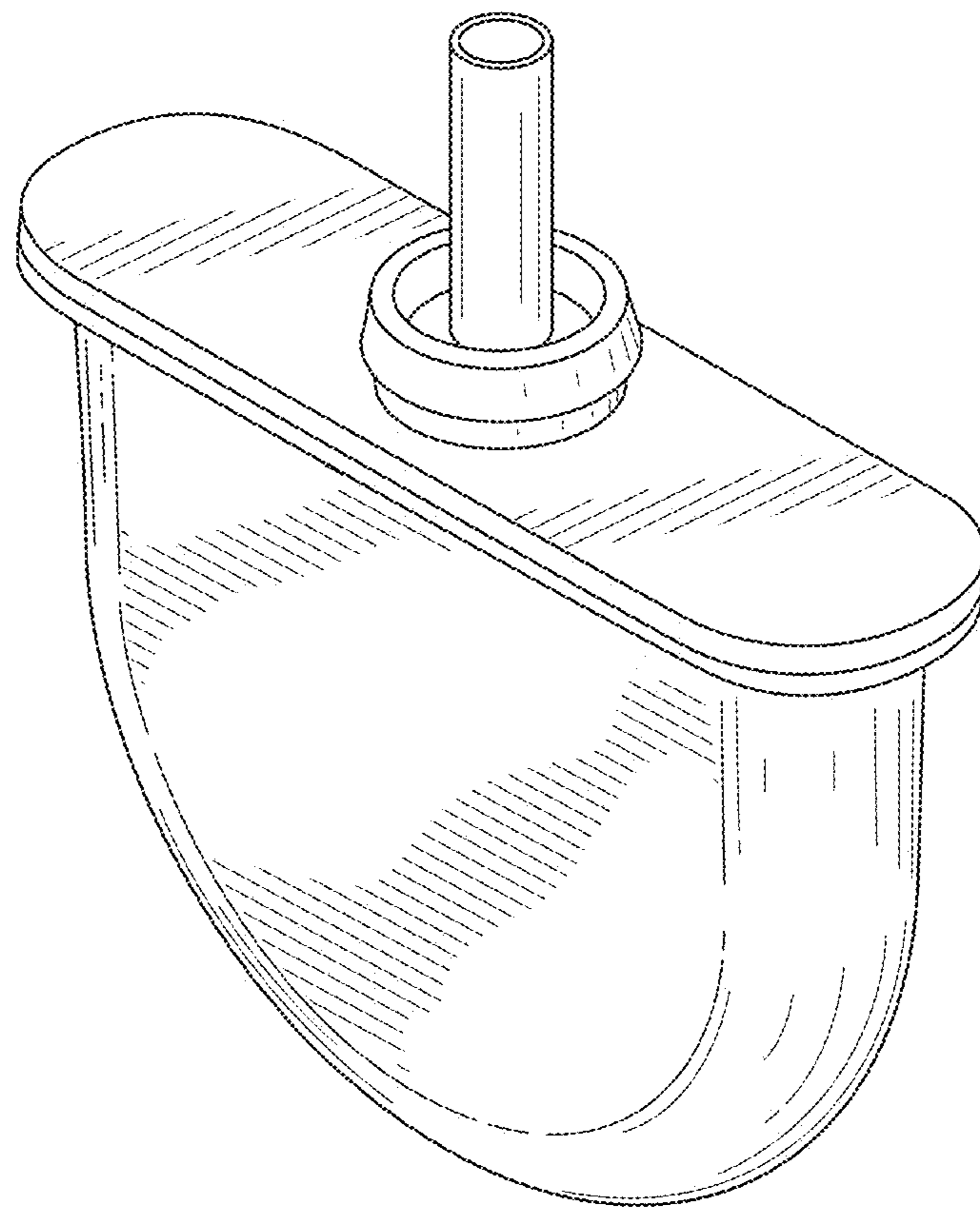


FIG. 5

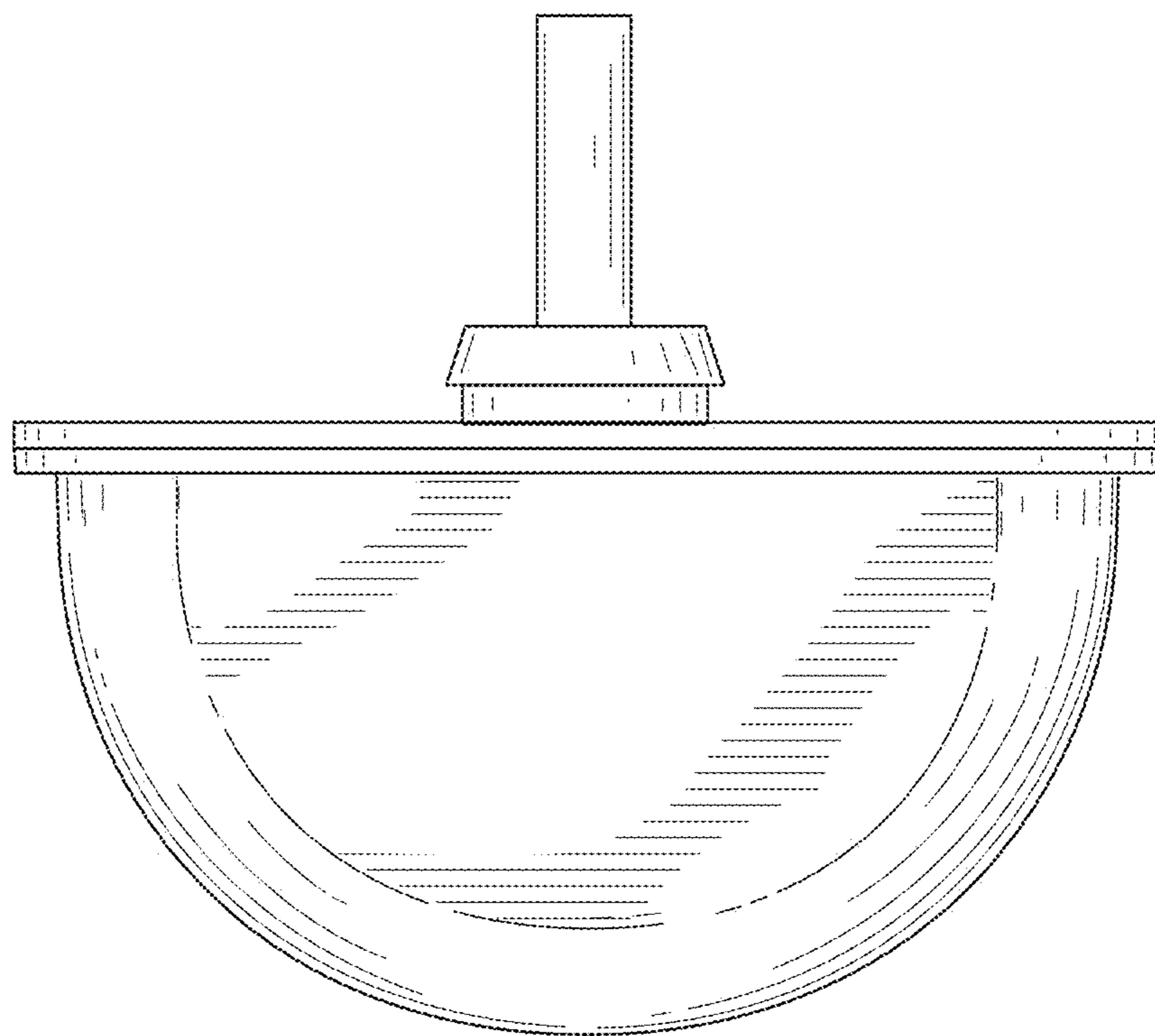


FIG. 6

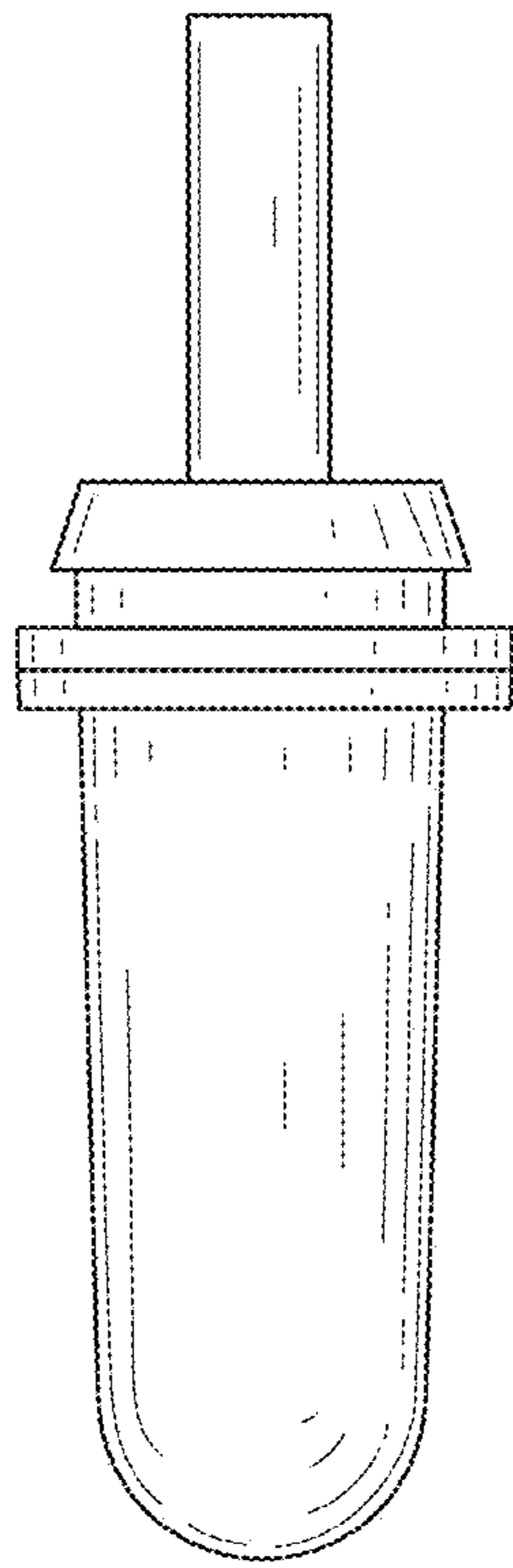


FIG. 7

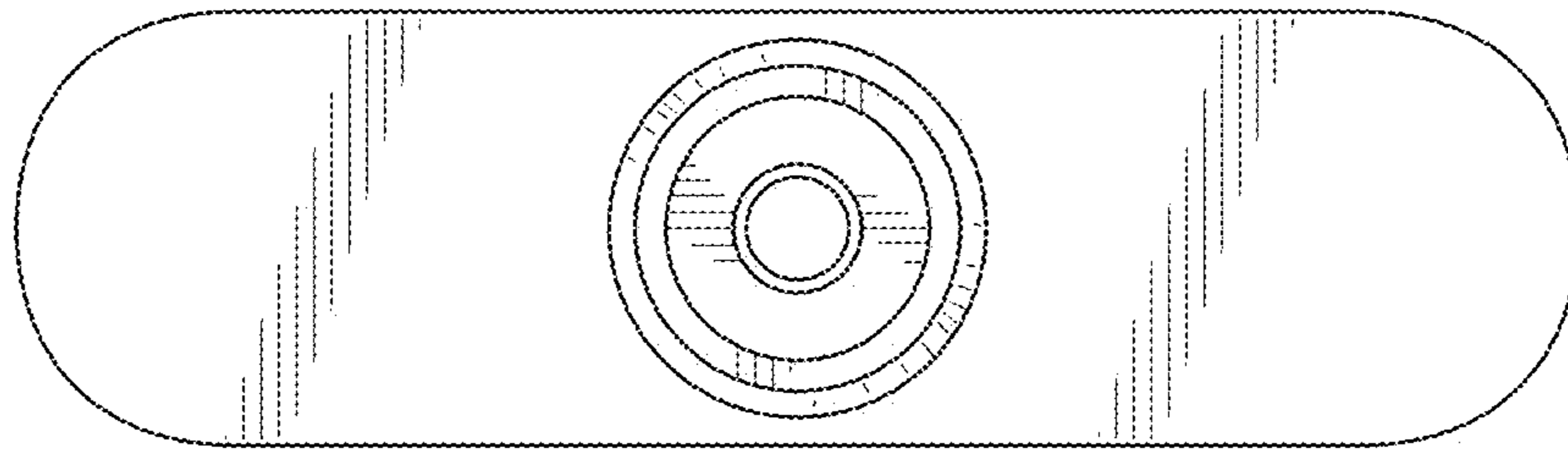


FIG. 8

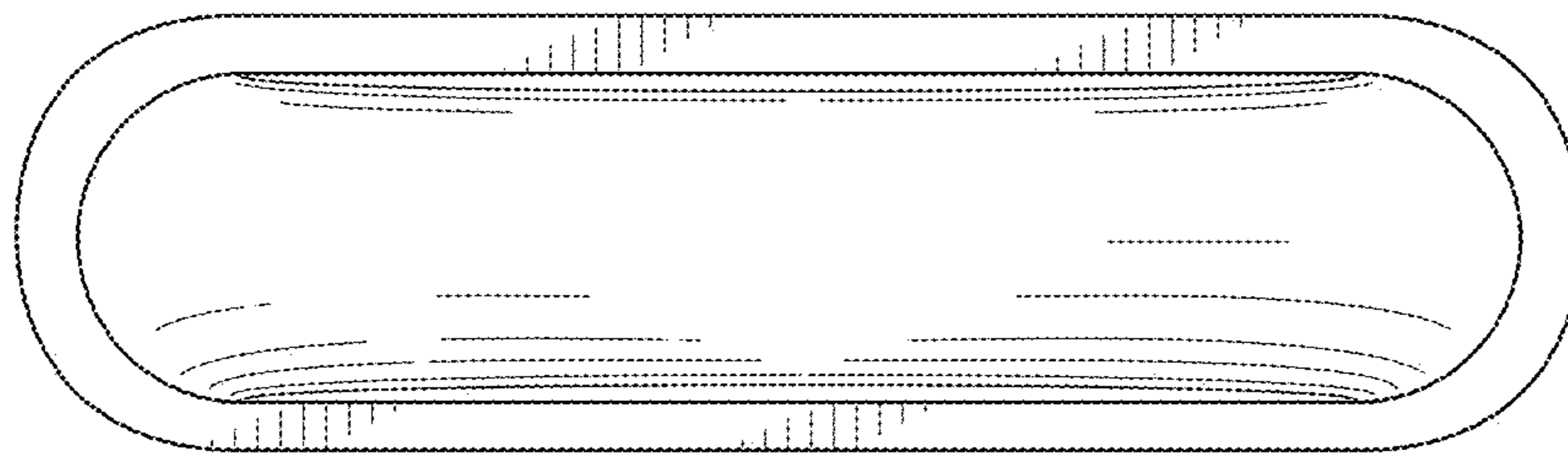


FIG. 9

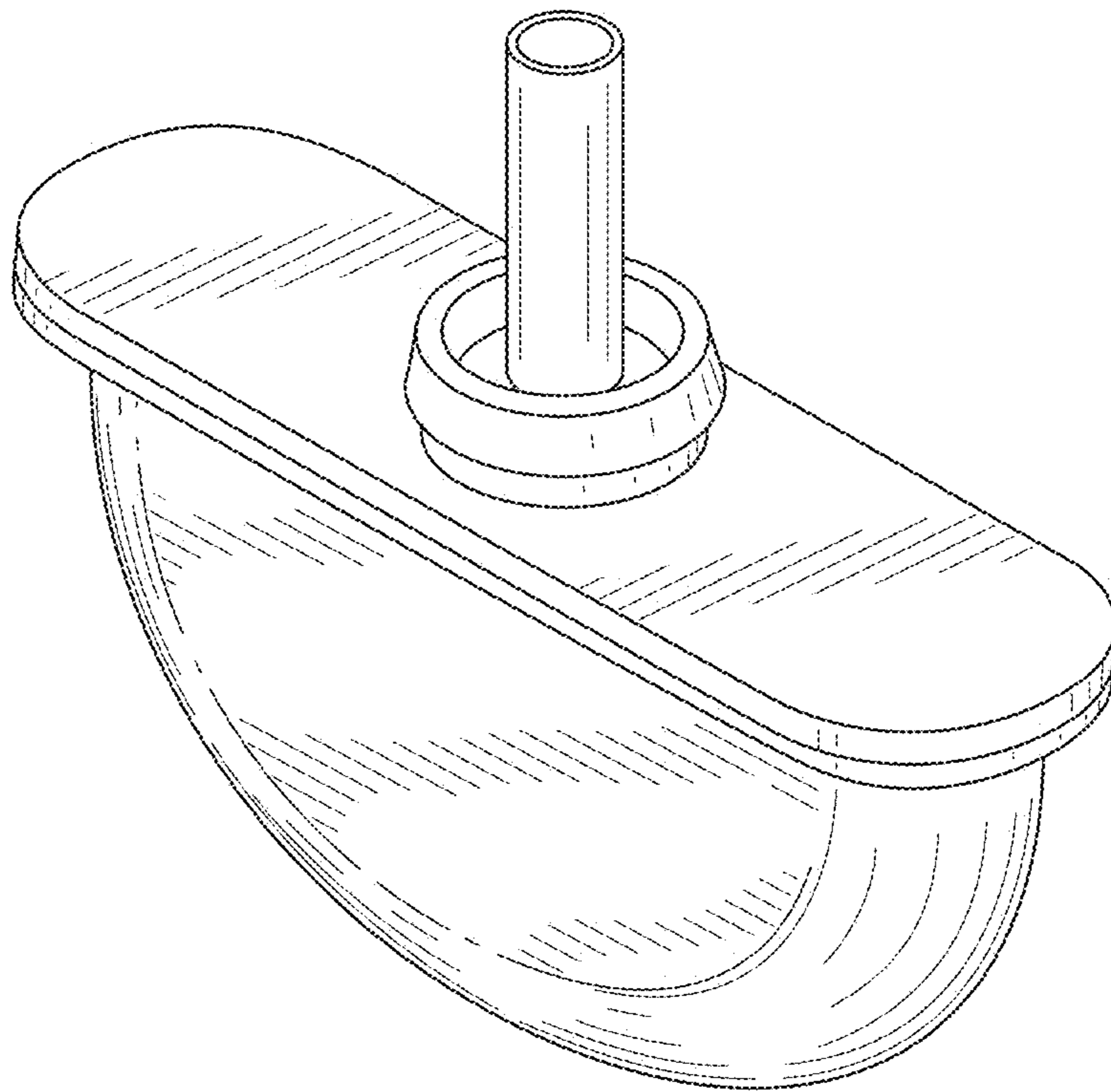


FIG. 10