



US00D869283S

(12) **United States Design Patent** (10) **Patent No.:** **US D869,283 S**  
**Groglopo Favetto et al.** (45) **Date of Patent:** **\*\* Dec. 10, 2019**

(54) **CONTAINER**

(71) Applicant: **Conopco, Inc.**, Englewood Cliffs, NJ (US)

(72) Inventors: **Pablo Ignacio Groglopo Favetto**, Rotterdam (NL); **Timothy James**, New York, NY (US)

(73) Assignee: **CONOPCO, Inc.**, Englewood Cliffs, NJ (US)

(\*\*) Term: **15 Years**

(21) Appl. No.: **29/591,115**

(22) Filed: **Jan. 17, 2017**

(30) **Foreign Application Priority Data**

Jul. 26, 2016 (EM) ..... 003319748-0001

(51) **LOC (12) Cl.** ..... **09-01**

(52) **U.S. Cl.**  
USPC ..... **D9/550; D9/551; D9/575**

(58) **Field of Classification Search**  
USPC ..... D9/435, 438, 453, 454, 516, 520, 539, D9/549, 550, 551, 556, 558, 575, 715, D9/719

CPC ..... A61J 1/2089; A61J 1/18; A61J 1/22  
See application file for complete search history.

(56) **References Cited**

**U.S. PATENT DOCUMENTS**

D194,675 S	2/1963	Vogel
D239,602 S	4/1976	Newman
4,076,251 A	2/1978	Hornsby, Jr.
4,105,210 A	8/1978	Jones et al.
4,106,672 A	8/1978	Tecco et al.
D278,602 S	4/1985	Rosenstein
5,219,100 A	6/1993	Beck et al.
D339,065 S	7/1993	Forsyth et al.

D340,187 S	12/1993	Forsyth	
D349,052 S	7/1994	Goldstein et al.	
D375,655 S *	11/1996	King	D7/510
5,975,368 A	2/1999	Wood	
D436,253 S	1/2001	Licari	
6,554,277 B1	4/2003	Descamps et al.	
D524,155 S	4/2006	Coppola et al.	
D516,318 S	7/2006	Hasenoehrl et al.	
D582,271 S	9/2008	Vogel	
D625,192 S *	10/2010	Kooser	D9/452
D626,417 S *	11/2010	Kim	D9/453
7,712,638 B2	11/2010	Kick	
7,913,868 B2	3/2011	Dolan et al.	
D682,701 S *	5/2013	Stephan	D9/539
D690,200 S *	9/2013	Arand	D9/449
D692,277 S *	10/2013	Smiedt	D7/510
D732,958 S	6/2015	Peneda	
D731,249 S	9/2015	Keeth	
D743,258 S *	11/2015	Panza	D9/500

(Continued)

*Primary Examiner* — Ian Simmons

*Assistant Examiner* — Keith Frank

(74) *Attorney, Agent, or Firm* — Foley & Lardner LLP

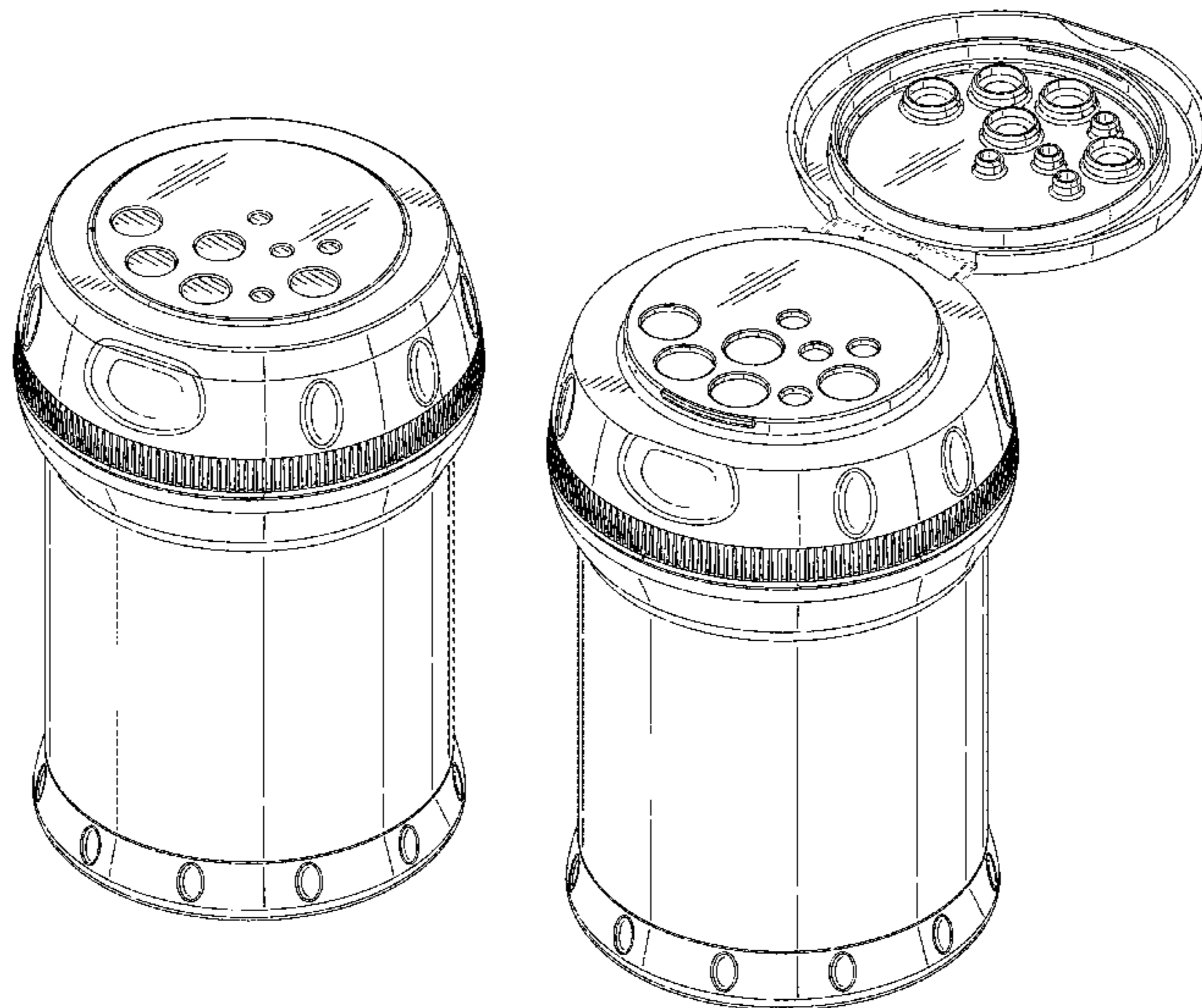
(57) **CLAIM**

The ornamental design for a container, as shown and described.

**DESCRIPTION**

FIG. 1 is a front perspective view from top and right side of a container, shown in a closed position;  
FIG. 2 is a front view thereof;  
FIG. 3 is a top view thereof;  
FIG. 4 is a bottom view thereof;  
FIG. 5 is a left side back view thereof;  
FIG. 6 is a right side back view thereof; and,  
FIG. 7 is a front perspective view from the top and right side of the container of FIG. 1, shown in an open position.  
The broken lines in the drawings illustrate portions that form no part of the claim.

**1 Claim, 7 Drawing Sheets**



(56)

**References Cited**

U.S. PATENT DOCUMENTS

D756,789	S *	5/2016	Darling .....	D9/503
9,394,086	B2	7/2016	Jordan	
D769,715	S *	10/2016	Bois .....	D9/449
D773,301	S *	12/2016	Li .....	D9/500
D782,243	S *	3/2017	Gieske .....	D7/381
D809,332	S *	2/2018	Gieske .....	D7/381
D813,044	S *	3/2018	Annetts .....	D9/539
D813,681	S *	3/2018	Burns .....	D9/549
2004/0173645	A1	9/2004	Vogel et al.	
2005/0211661	A1*	9/2005	Galownia .....	B65D 23/102 215/382
2006/0237388	A1	10/2006	Kick	
2007/0145082	A1	6/2007	Parve	
2007/0262078	A1	11/2007	Sheffler et al.	
2009/0223967	A1*	9/2009	Mengeu .....	B65D 50/046 220/326
2012/0240486	A1	9/2012	Borroni	

\* cited by examiner

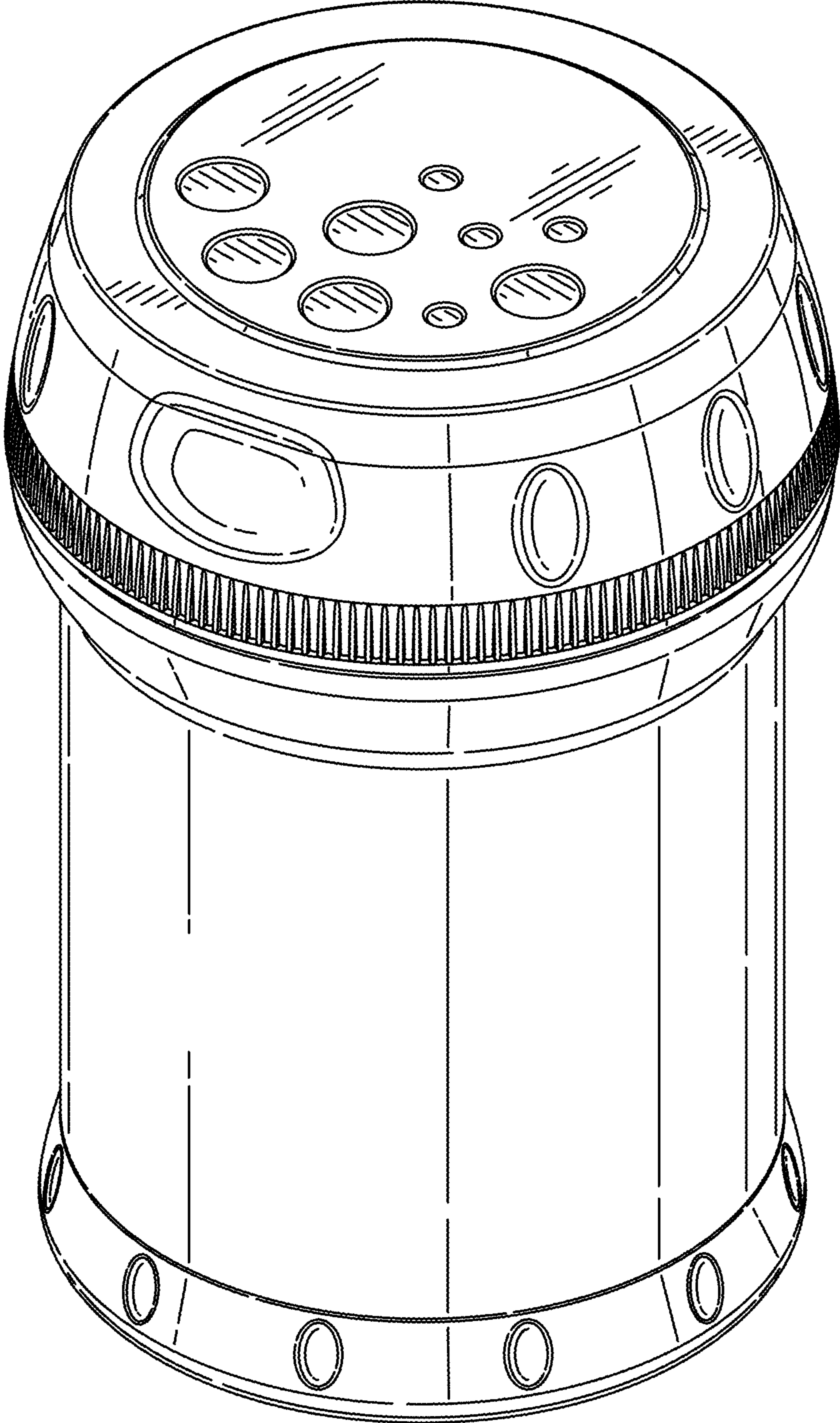


Fig. 1

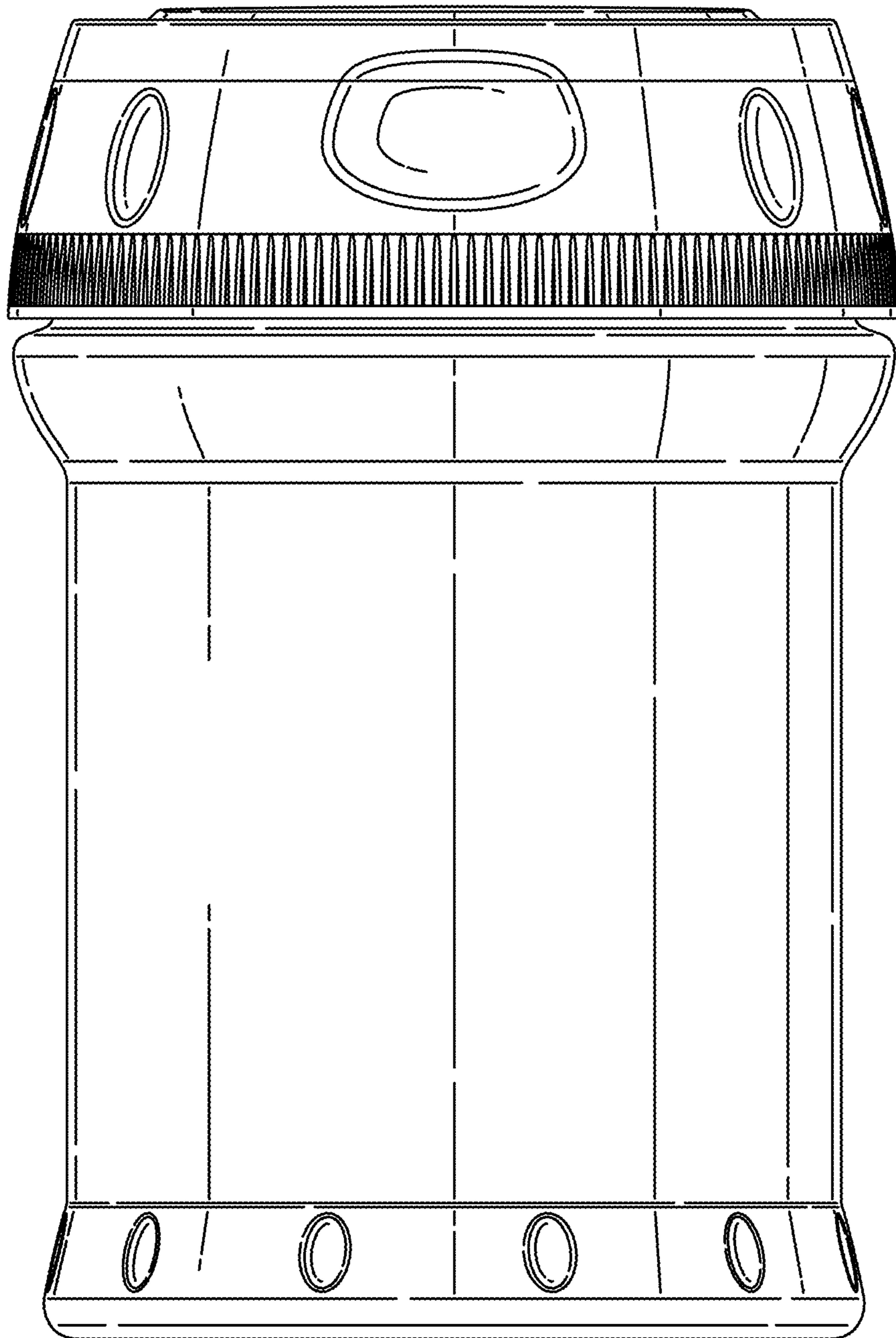


Fig. 2

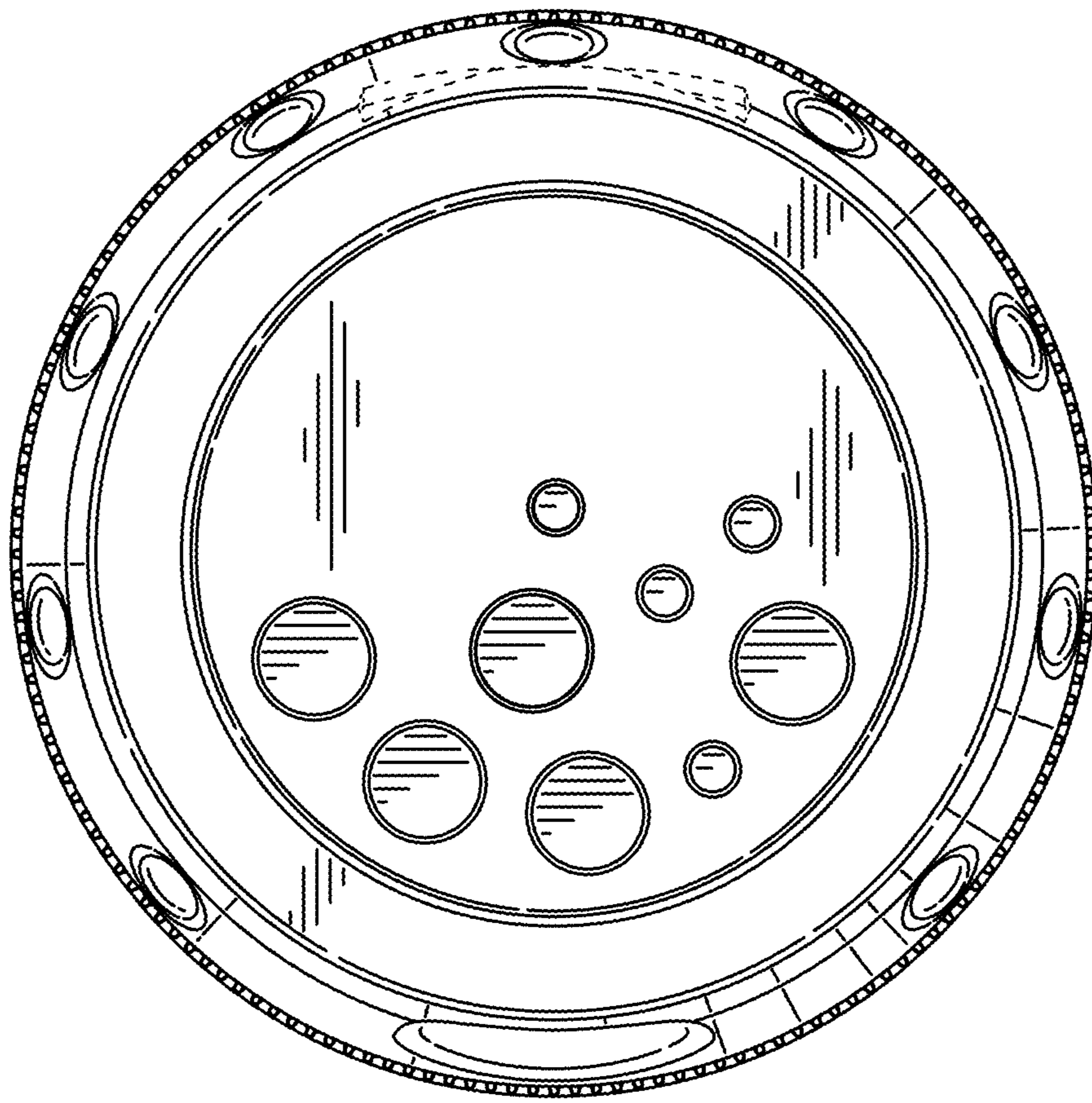


Fig. 3

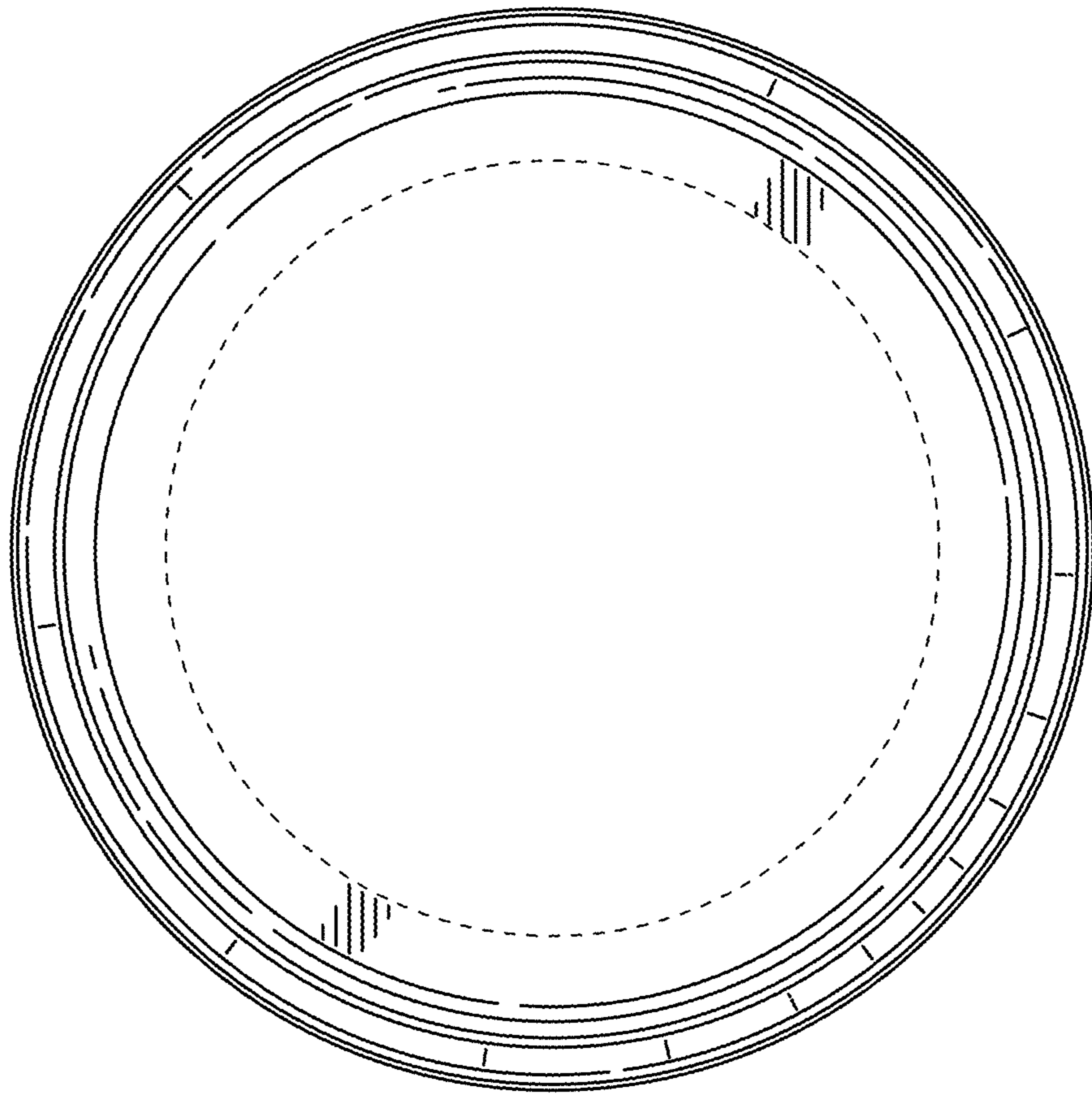


Fig. 4

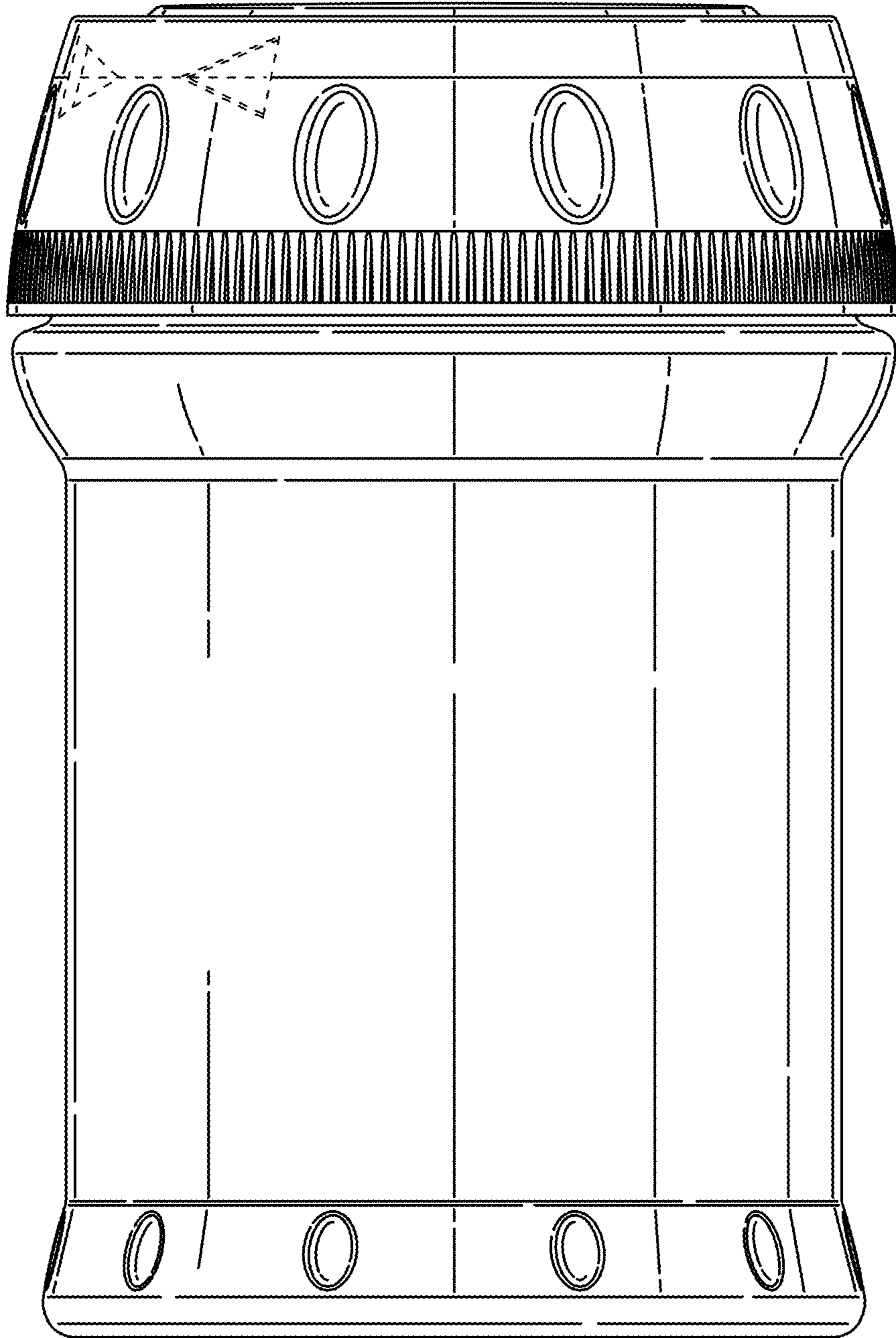


Fig. 5

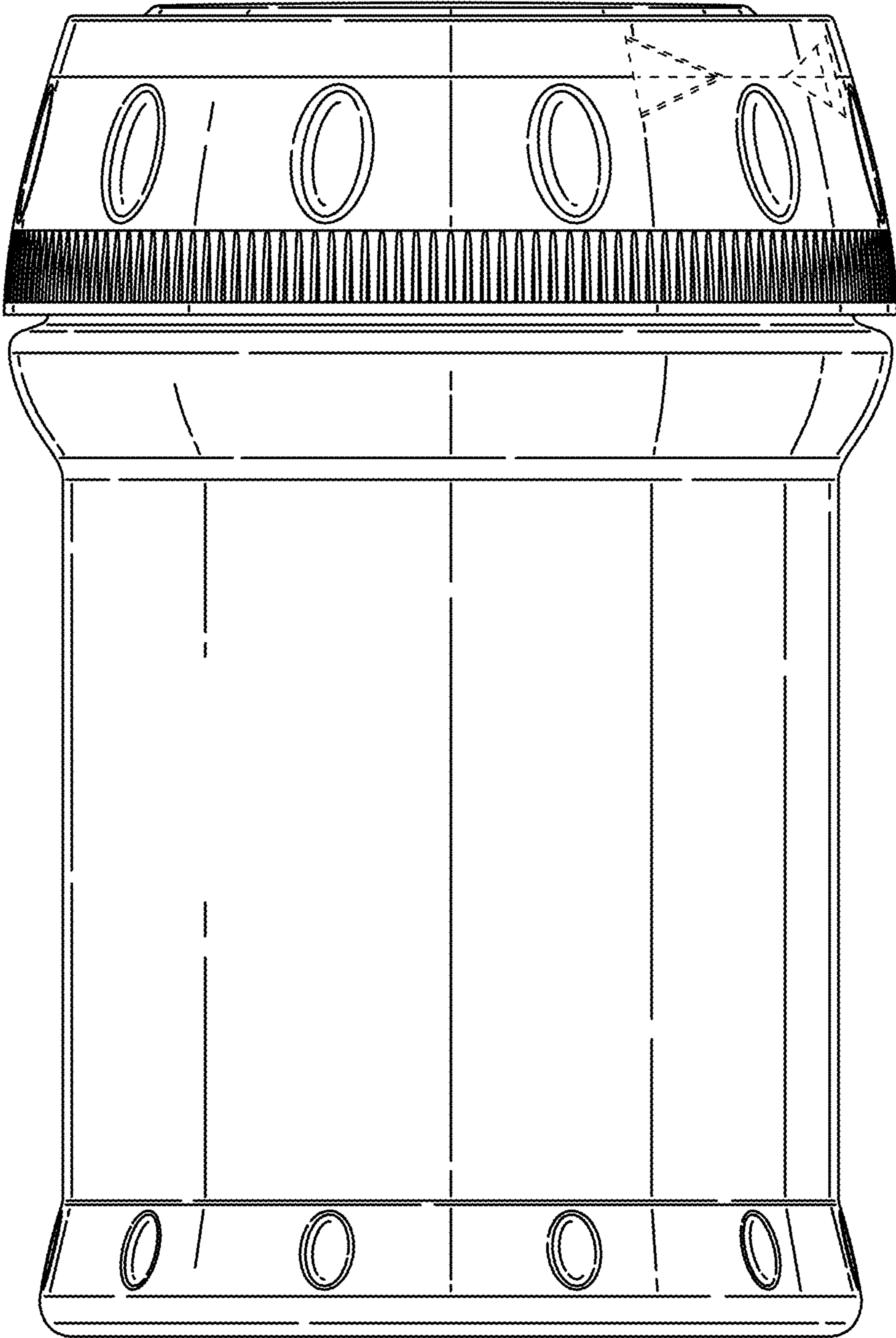


Fig. 6



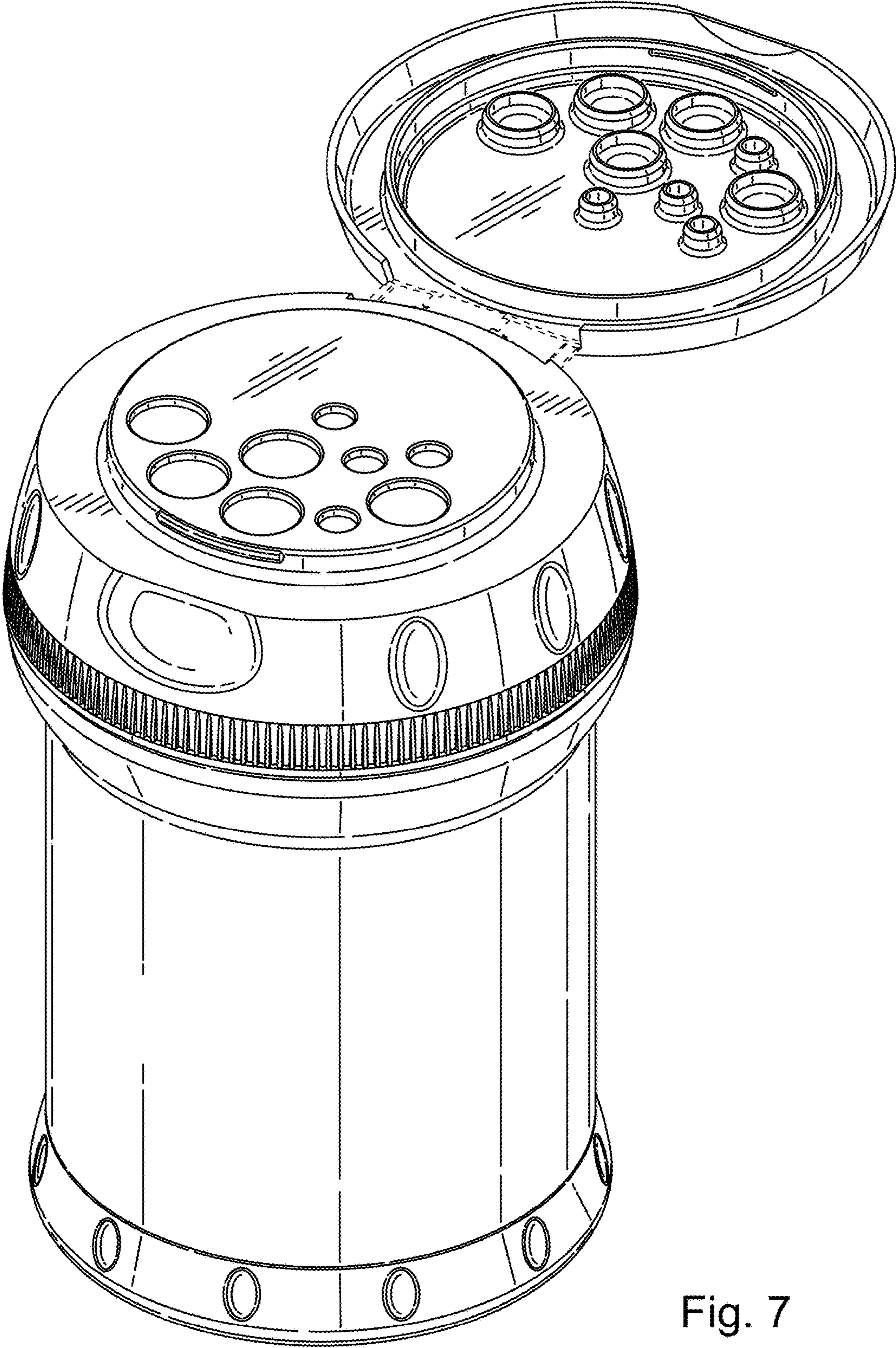


Fig. 7