

US00D869282S

(12) **United States Design Patent**
Hawry

(10) **Patent No.:** **US D869,282 S**

(45) **Date of Patent:** **** Dec. 10, 2019**

(54) **BOTTLE**

(71) Applicant: **Berlin Packaging, LLC**, Chicago, IL (US)

(72) Inventor: **Liam Hawry**, Chicago, IL (US)

(73) Assignee: **Berlin Packaging, LLC**, Chicago, IL (US)

(**) Term: **15 Years**

(21) Appl. No.: **29/644,481**

(22) Filed: **Apr. 18, 2018**

(51) **LOC (12) Cl.** **09-01**

(52) **U.S. Cl.**
USPC **D9/541**; D9/542; D9/569

(58) **Field of Classification Search**
USPC D9/516, 530, 541-544, 546, 560, 569,
D9/574, 715, 719
CPC B65D 1/00; B65D 1/02; B65D 1/0223;
B65D 23/00
See application file for complete search history.

(56) **References Cited**

U.S. PATENT DOCUMENTS

1,636,174	A	*	7/1927	Dolan	B65D 23/102 215/384
D82,202	S	*	9/1930	Winegard	D9/542
D84,234	S	*	5/1931	Dolan	D9/542
D124,920	S	*	1/1941	Heuisler, Jr.	D9/556
D294,121	S	*	2/1988	Cramer	D9/542
D307,710	S	*	5/1990	Mittleman	D9/556
D343,579	S	*	1/1994	Halasz	D9/774
D496,282	S	*	9/2004	Heliste	D9/542
D520,372	S	*	5/2006	Andoh	D9/542
D564,892	S	*	3/2008	di Robilant	D9/544
D624,429	S	*	9/2010	Gedanke	D9/542
D646,173	S	*	10/2011	Venkataraman	D9/541

D652,308	S	*	1/2012	Venkataraman	D9/541
D652,735	S	*	1/2012	Chen	D9/542
D653,117	S	*	1/2012	Murphy	D9/544
D654,797	S	*	2/2012	Chen	D9/436
D655,611	S	*	3/2012	Teitelbaum	D9/541
D657,684	S	*	4/2012	Venkataraman	D9/541
D670,566	S	*	11/2012	Teitelbaum	D9/541
D671,414	S	*	11/2012	Teitelbaum	D9/450
D672,250	S	*	12/2012	Austin	D9/560
D673,859	S	*	1/2013	Austin	D9/560
D684,865	S	*	6/2013	Petronio	D9/520
D687,311	S	*	8/2013	Austin	D9/560
D688,132	S	*	8/2013	Reynolds	D9/542
D751,411	S	*	3/2016	Austin	D9/560
D754,546	S	*	4/2016	Perez-Cabrera	D9/542
D767,994	S	*	10/2016	Goswell	D9/542

* cited by examiner

Primary Examiner — Dana Meyrow

(74) *Attorney, Agent, or Firm* — Adam K. Sacharoff;
Much Shelist, P.C.

(57) **CLAIM**

The ornamental design for a bottle, as shown and described.

DESCRIPTION

FIG. 1 is a front left side perspective view showing the new design for a bottle;
 FIG. 2 is a front right side perspective view thereof;
 FIG. 3 is a rear left side perspective view thereof;
 FIG. 4 is a rear right side perspective view thereof;
 FIG. 5 is a front elevation view thereof, the rear elevation view being a mirror image thereof;
 FIG. 6 is a left side view thereof, the right side view being a mirror image thereof;
 FIG. 7 is a bottom plan view thereof; and,
 FIG. 8 is a top plan view thereof.
 The broken lines in the FIGS. form no part of the claimed design.

1 Claim, 8 Drawing Sheets

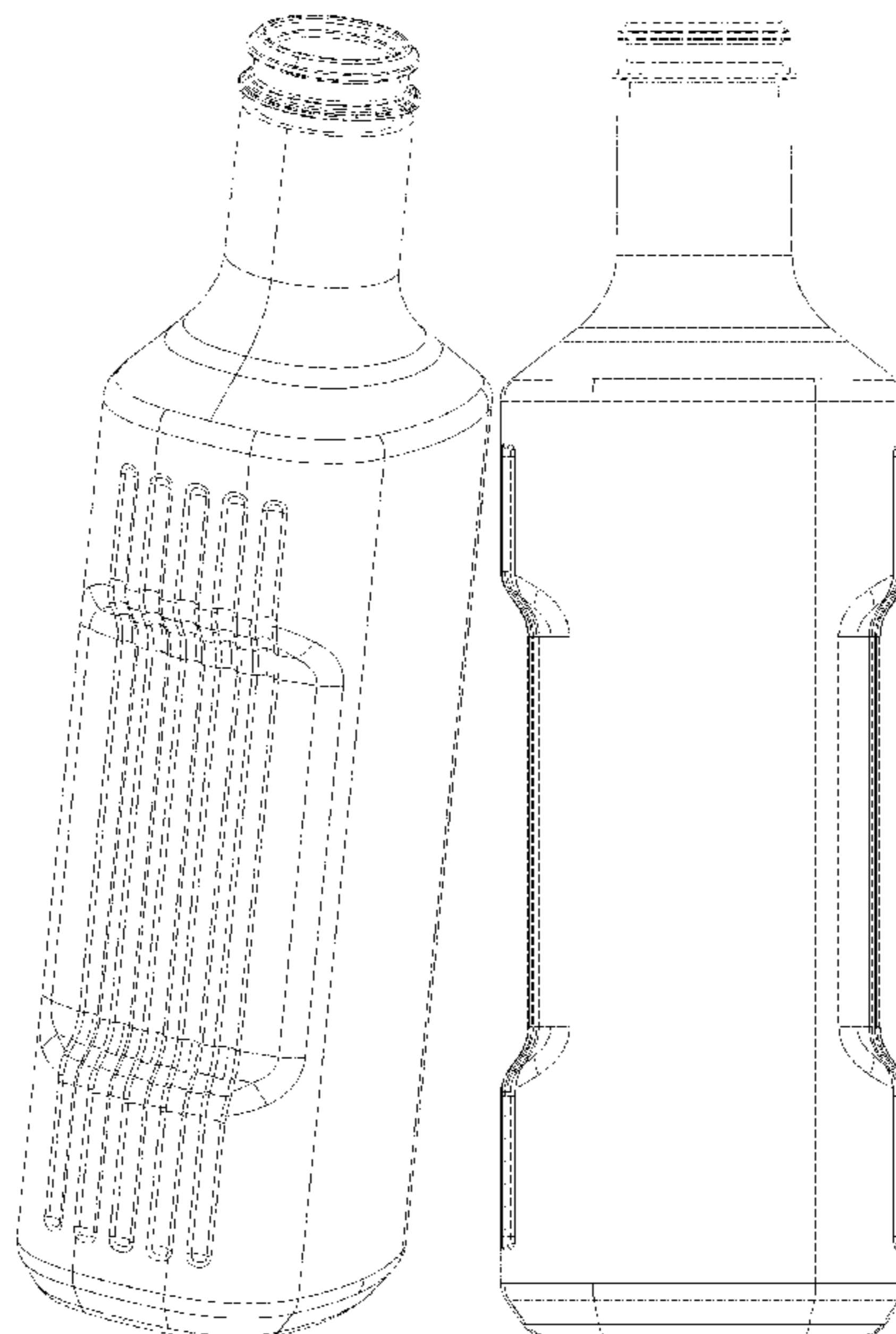


FIG. 1

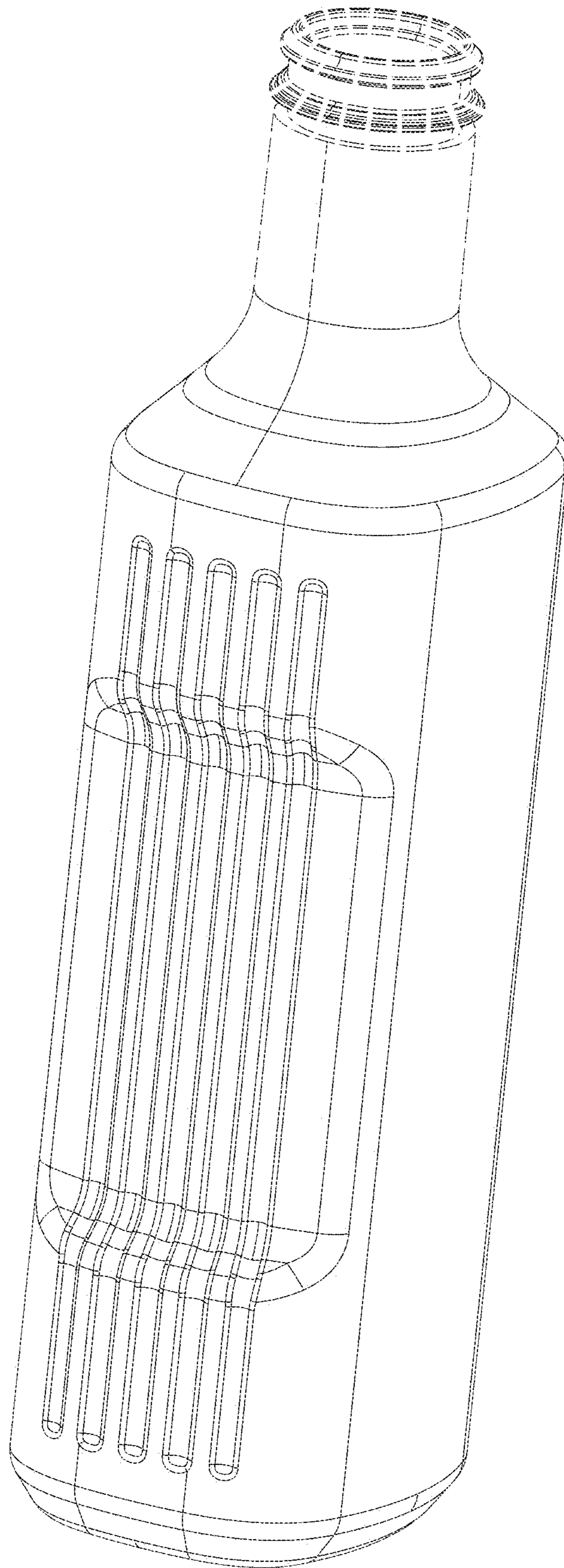


FIG. 2

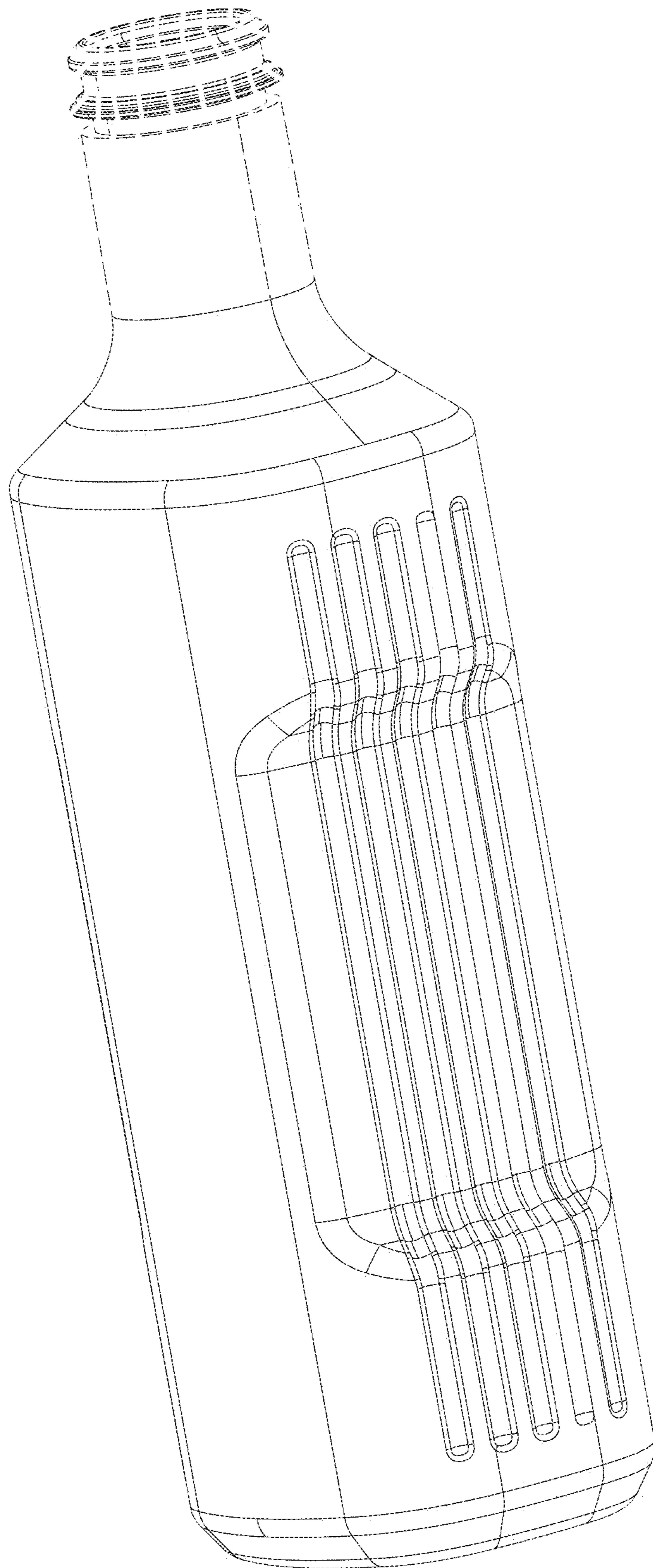


FIG. 3

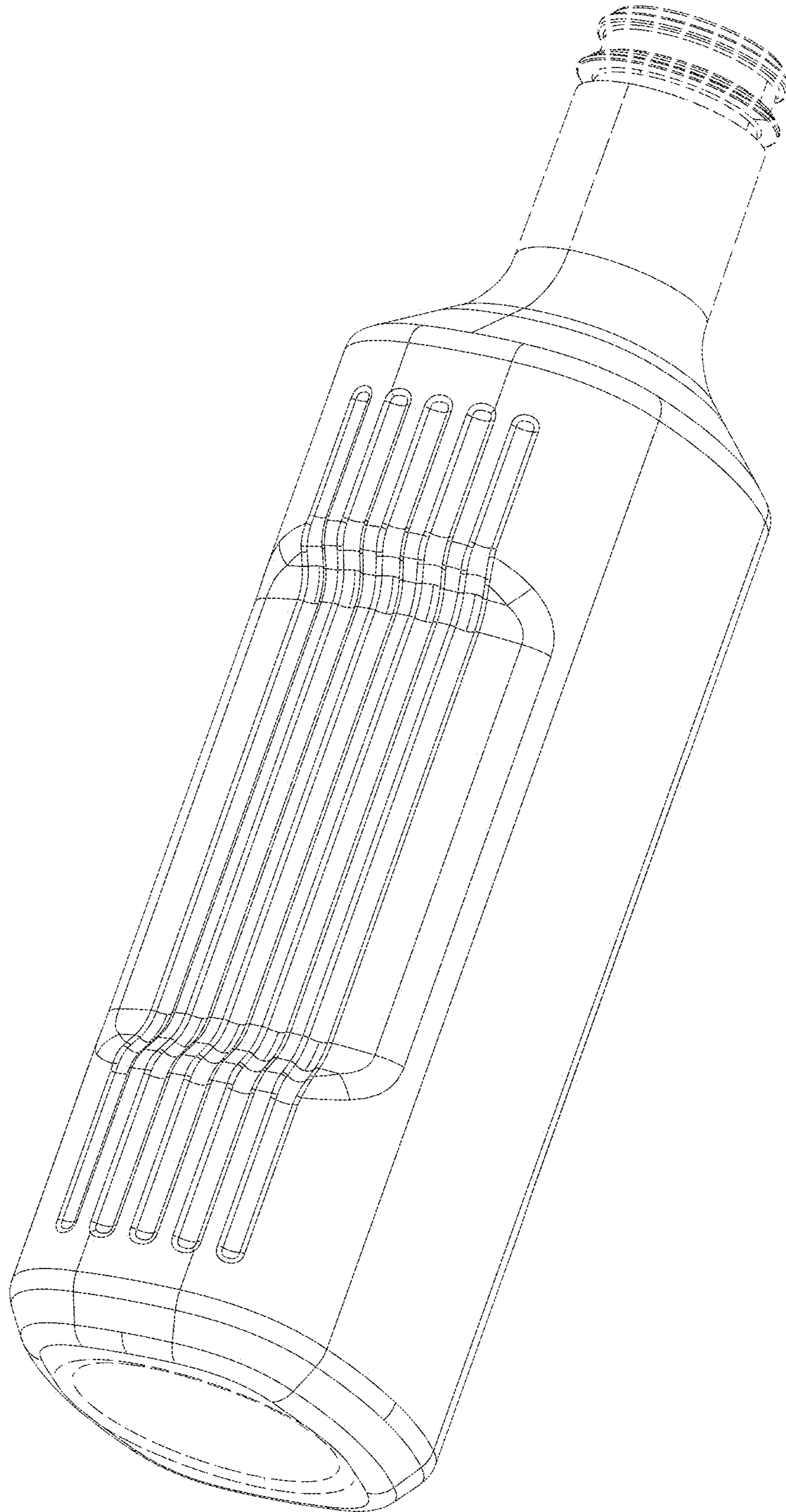


FIG. 4

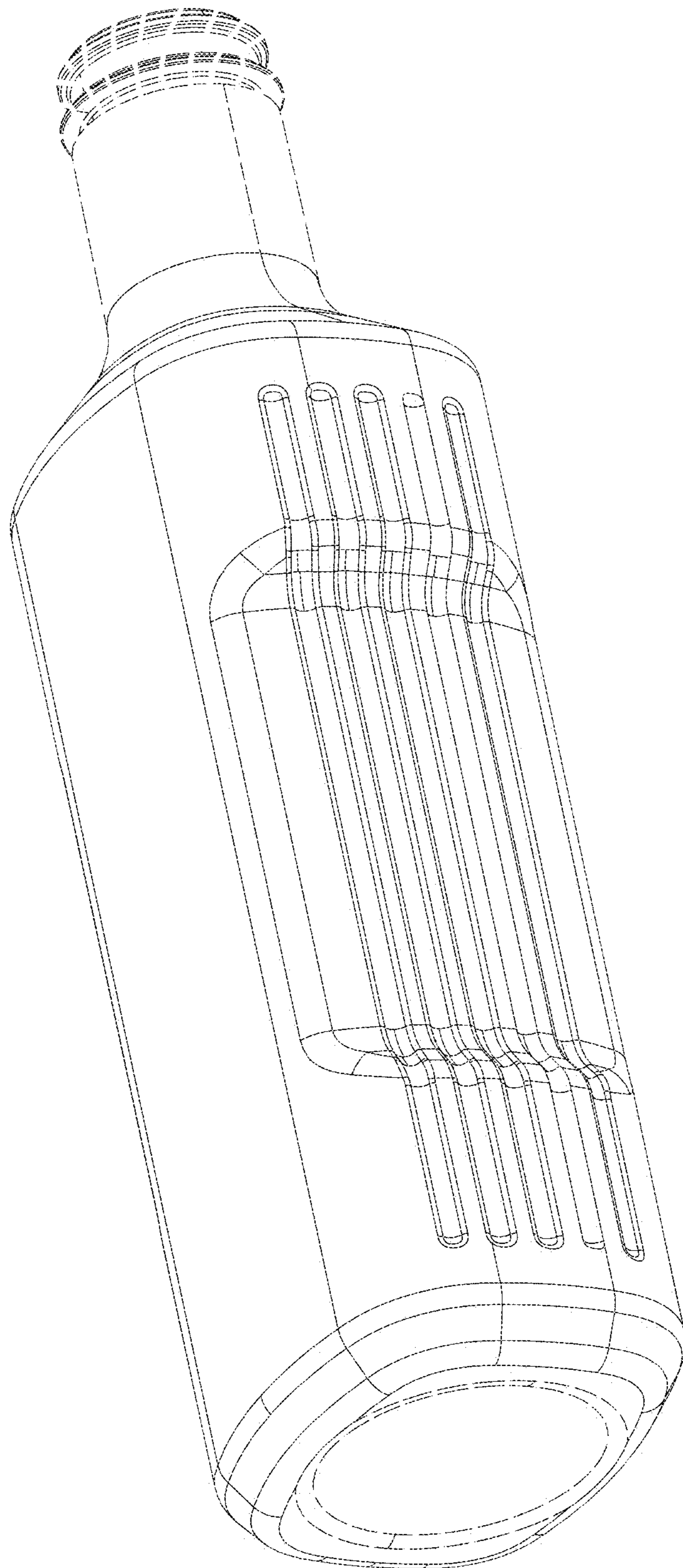


FIG. 5

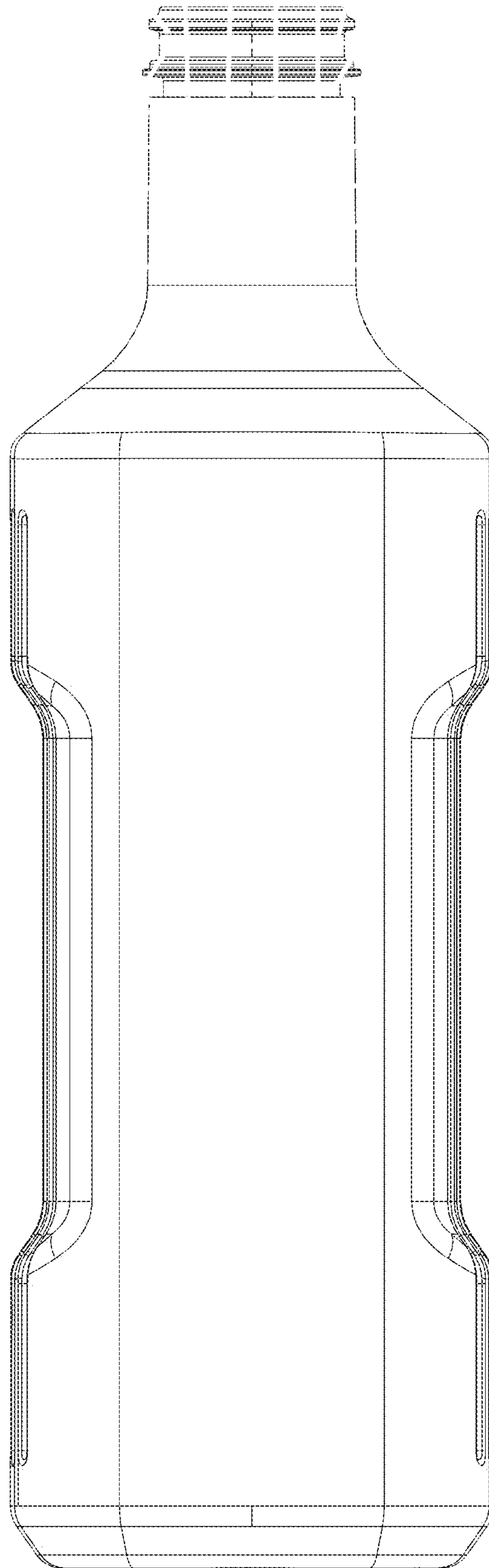


FIG. 6

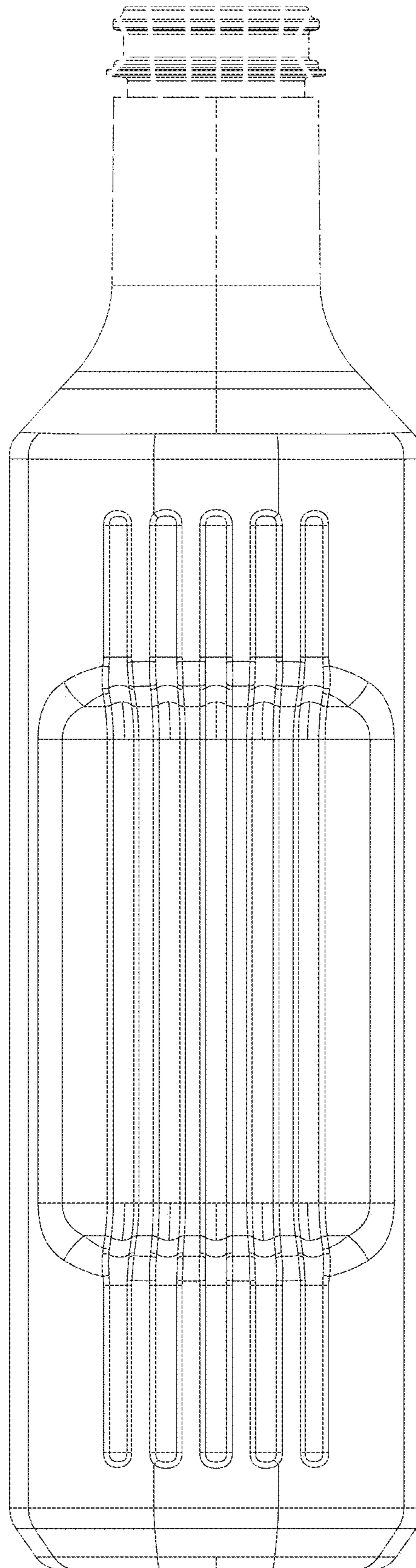


FIG. 7

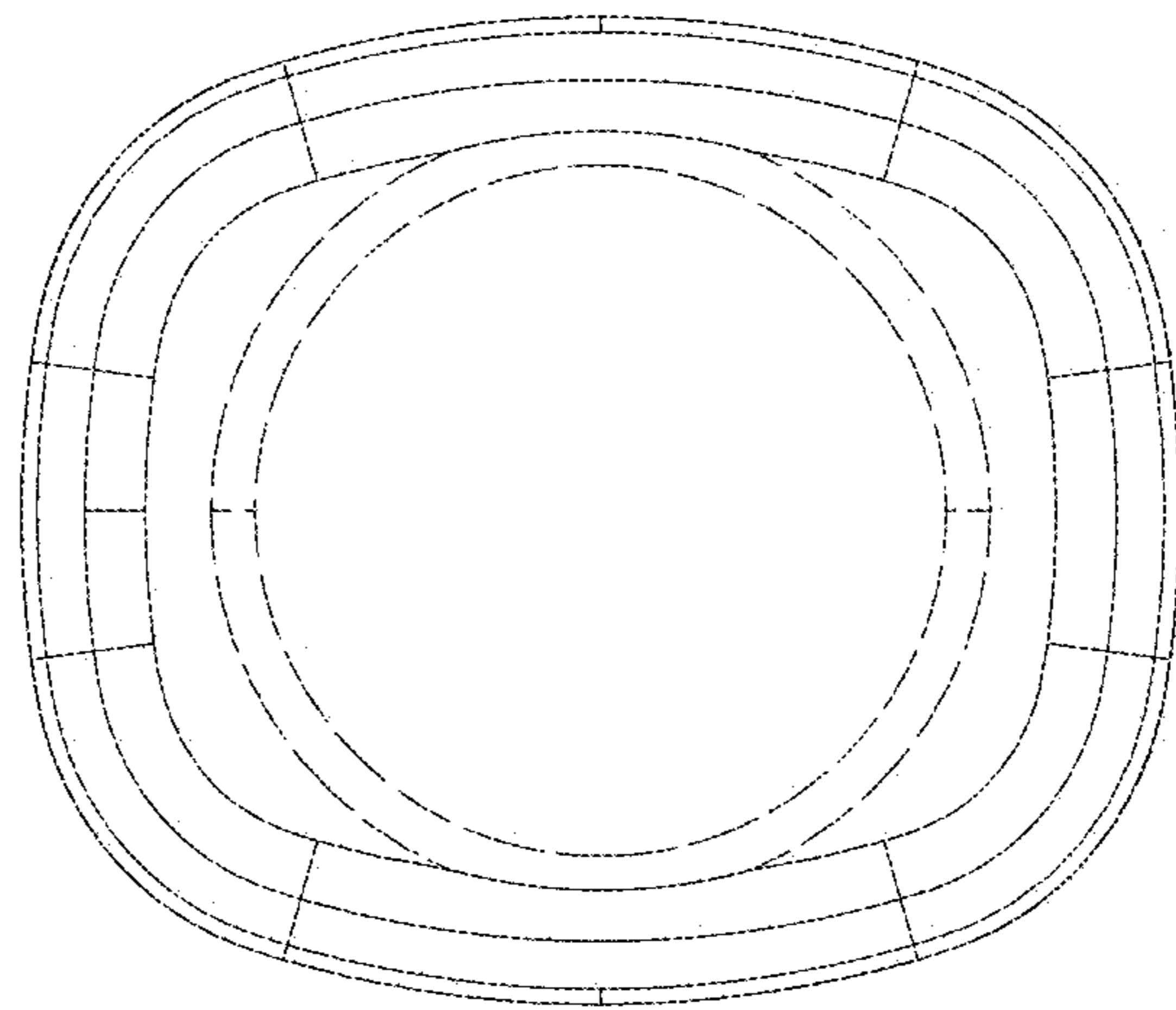


FIG. 8

