



US00D869279S

(12) **United States Design Patent**
Stoneberg

(10) **Patent No.:** **US D869,279 S**

(45) **Date of Patent:** **** Dec. 10, 2019**

- (54) **CONTAINER**
- (71) Applicant: **PHOENIX CLOSURES, INC.**,
Naperville, IL (US)
- (72) Inventor: **Thomas Stoneberg**, Buffalo Grove, IL
(US)
- (73) Assignee: **PHOENIX CLOSURES INC.**,
Naperville, IL (US)
- (**) Term: **15 Years**
- (21) Appl. No.: **29/612,644**
- (22) Filed: **Aug. 2, 2017**
- (51) **LOC (12) Cl.** **09-01**
- (52) **U.S. Cl.**
USPC **D9/500; D9/738**
- (58) **Field of Classification Search**
USPC D4/116; D6/515-516, 542-545;
D7/300-322, 391-396.2, 509-511, 523,
D7/589, 598, 612, 615, 619.1; D9/435,
D9/436, 439, 440, 443, 447, 454, 500,
D9/503-505, 516-575, 763-783;
D24/197; D28/7, 57, 73, 76-91.1;
215/40-55, 316-354, 370-385;
220/574-575
CPC B65D 1/00; B65D 1/02; B65D 1/0223;
B65D 1/023; B65D 1/0276
See application file for complete search history.

- (56) **References Cited**
U.S. PATENT DOCUMENTS
1,669,579 A 5/1928 Scofield
3,786,954 A 1/1974 Shull
4,057,159 A 11/1977 Filmore et al.
4,059,198 A 11/1977 Mumford
4,387,817 A 6/1983 Wiles et al.
4,620,640 A 11/1986 Swartzbaugh

- 4,967,926 A * 11/1990 Morris, Sr. B65D 21/0219
215/214
- 5,213,225 A 5/1993 King et al.
- D339,525 S * 9/1993 Morris, Sr. D9/435
- 5,373,958 A 12/1994 Bokmiller
- 5,411,157 A 5/1995 King et al.
- 5,598,940 A 2/1997 Finkelstein et al.
- 5,628,417 A 5/1997 Van Halteren
- 5,803,287 A 9/1998 Kusz
- D424,750 S * 5/2000 Zalzal D28/76
- D573,881 S * 7/2008 Decker D9/435
- 7,527,159 B2 5/2009 Brozell
- 7,819,265 B2 10/2010 Brozell
- D645,741 S * 9/2011 Dunwoody D9/435
- D650,275 S * 12/2011 Dunwoody D9/435
- 8,608,002 B2 12/2013 Hennebelle
- D717,469 S * 11/2014 Nemeth D24/224

(Continued)

Primary Examiner — Cathron C Brooks
Assistant Examiner — Christian P. McLean
(74) *Attorney, Agent, or Firm* — Husch Blackwell LLP

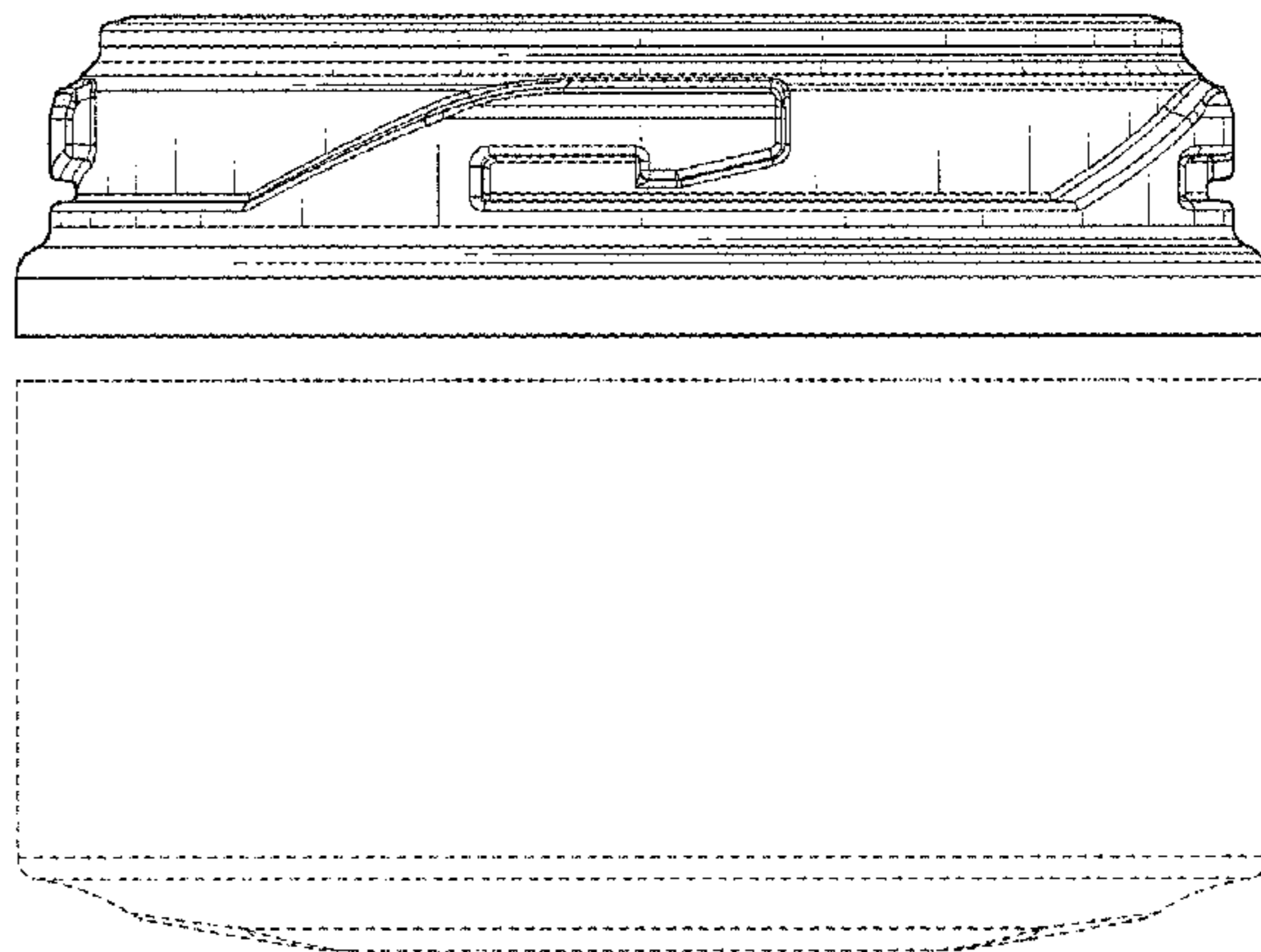
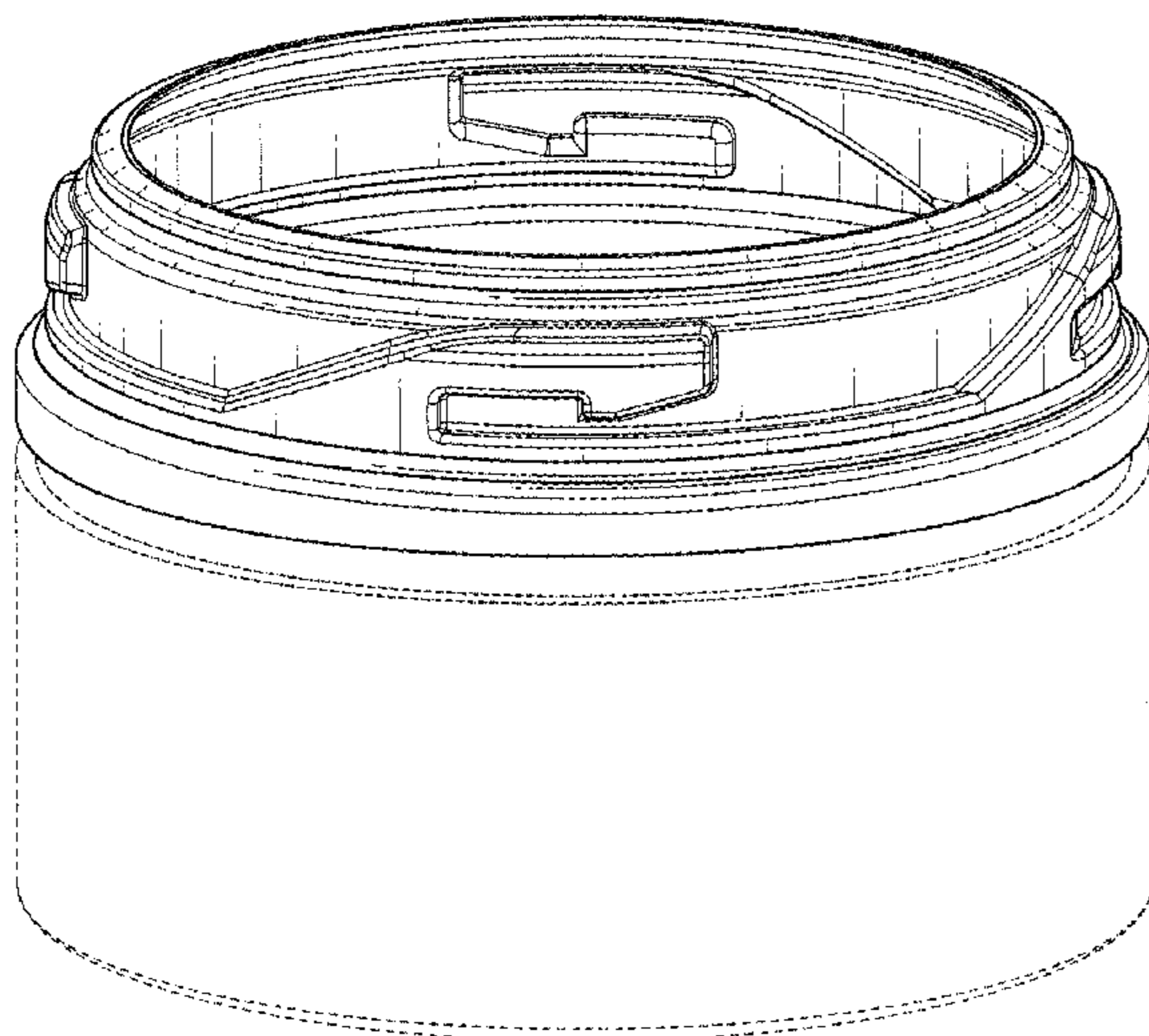
(57) **CLAIM**

The ornamental design for a container, as shown and described.

DESCRIPTION

FIG. 1. is a perspective view of the container of the subject invention;
FIG. 2 is a front view of the container of the subject invention, the opposite side being a mirrored version thereof;
FIG. 3. is a right-side view of the container of the subject invention, the opposite side being a mirrored version thereof;
FIG. 4. is a top view of the container of the subject invention; and,
FIG. 5. is a bottom view of the container of the subject invention.
The broken lines illustrate portions of the container that form no part of the claimed design.

1 Claim, 5 Drawing Sheets



(56)

References Cited

U.S. PATENT DOCUMENTS

D788,372 S *	5/2017	Reed	D28/82
D795,705 S *	8/2017	Huang	D9/738
D803,687 S *	11/2017	Fernandez	D9/738
D808,680 S *	1/2018	Dunn	D6/515
D809,868 S *	2/2018	Eyal	D7/523
D814,705 S *	4/2018	Norris	D28/82
D845,768 S *	4/2019	Mateus	D9/500
2019/0241330 A1 *	8/2019	Stoneberg	B65D 41/06

* cited by examiner

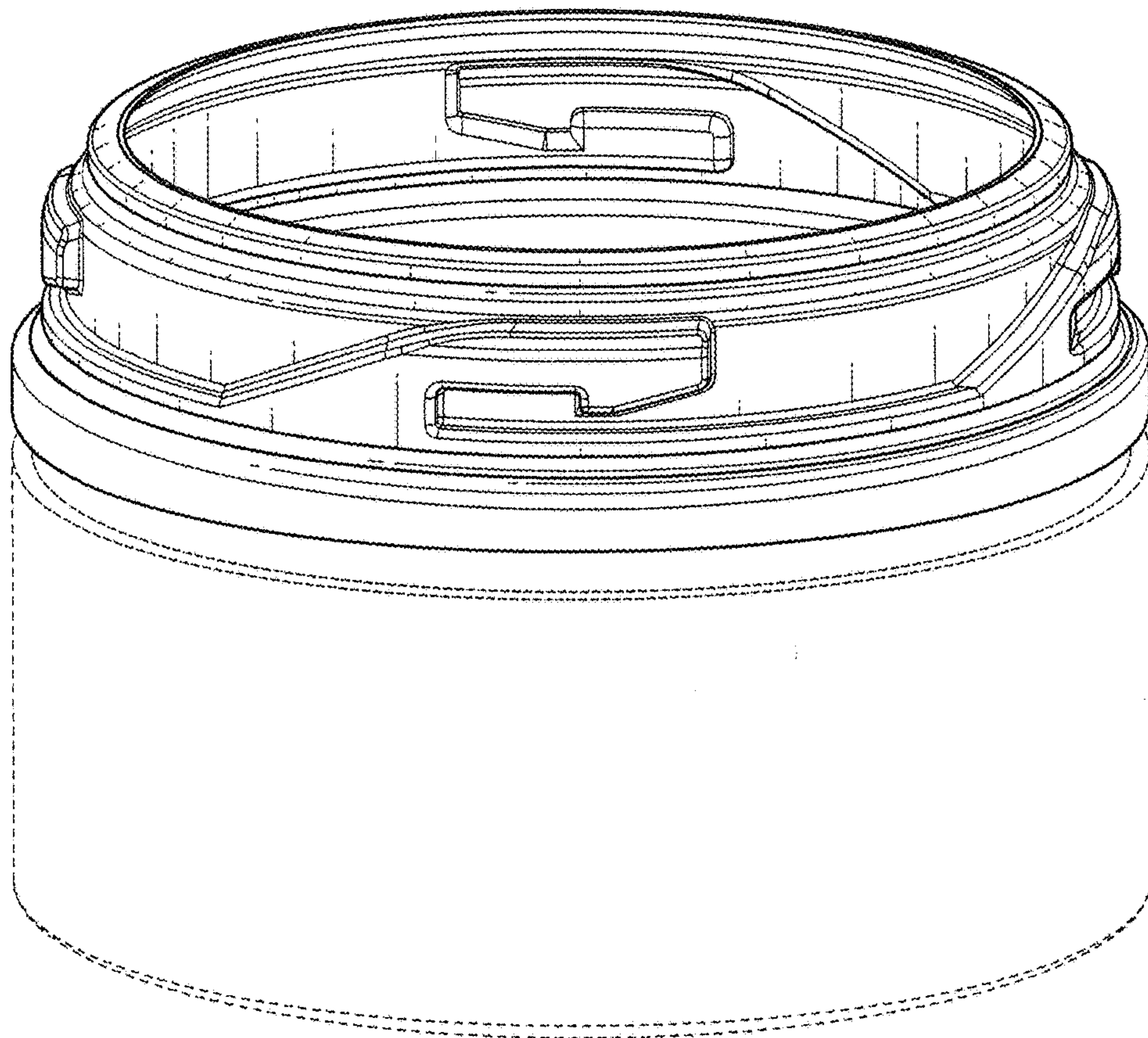


FIG. 1

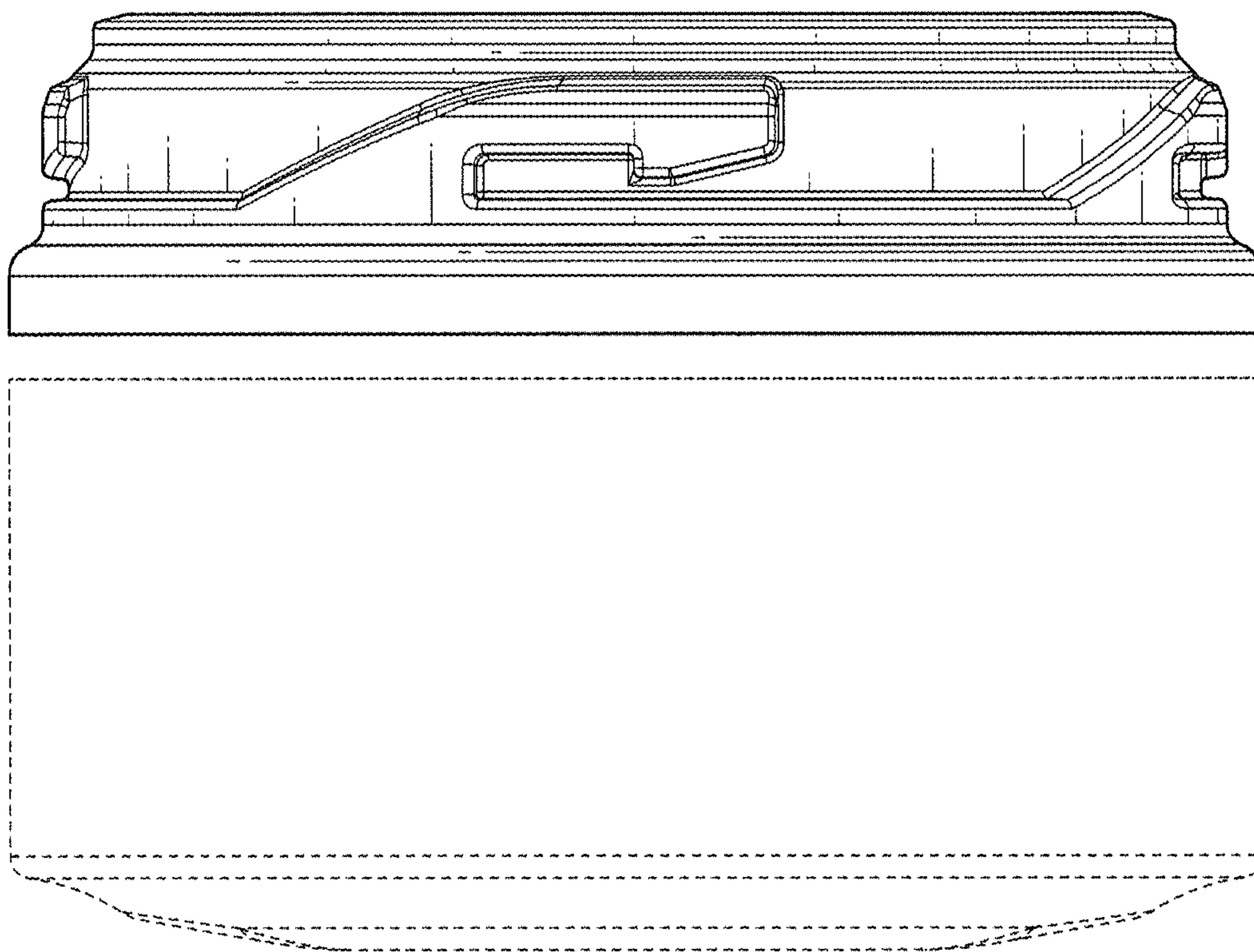


FIG. 2

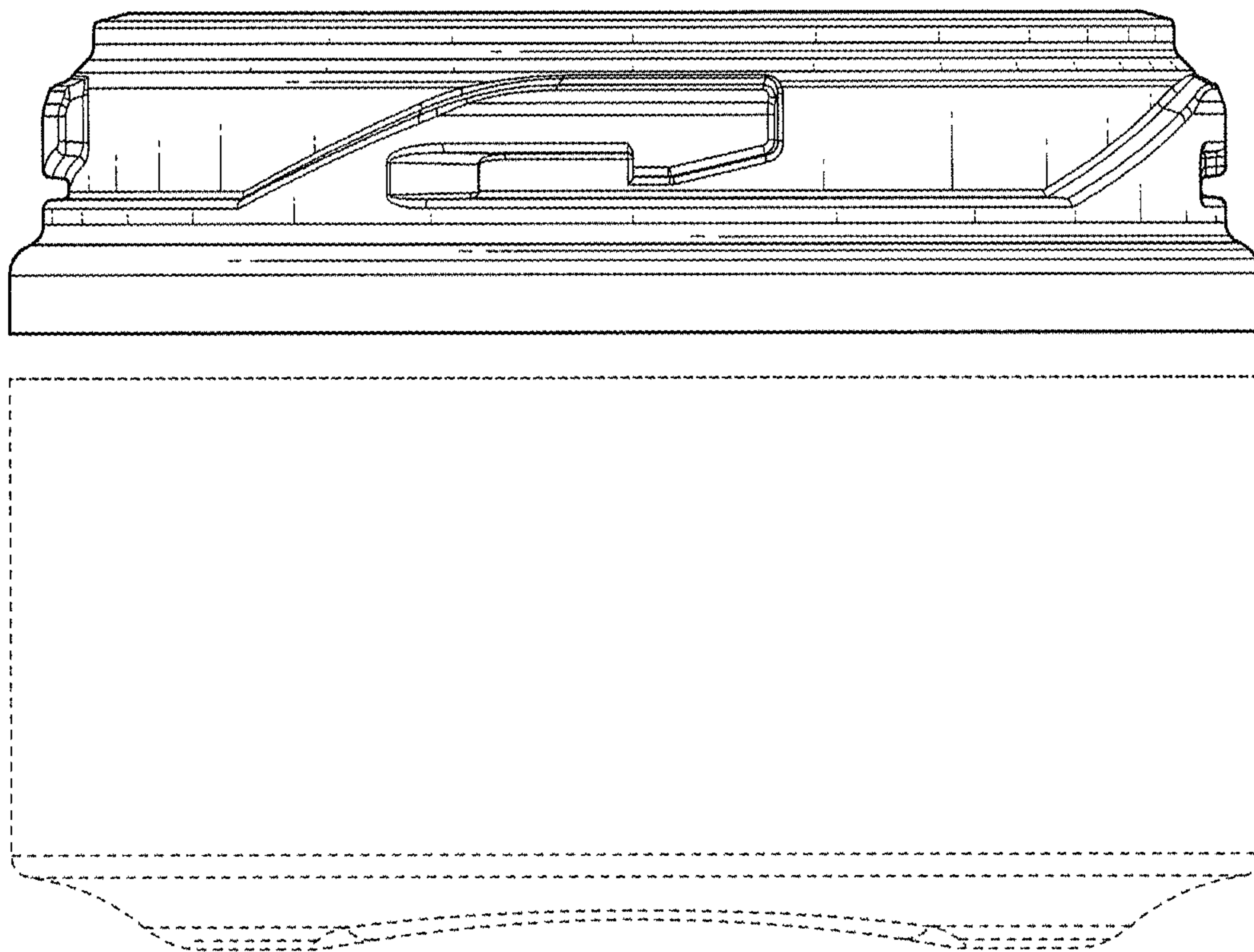


FIG. 3

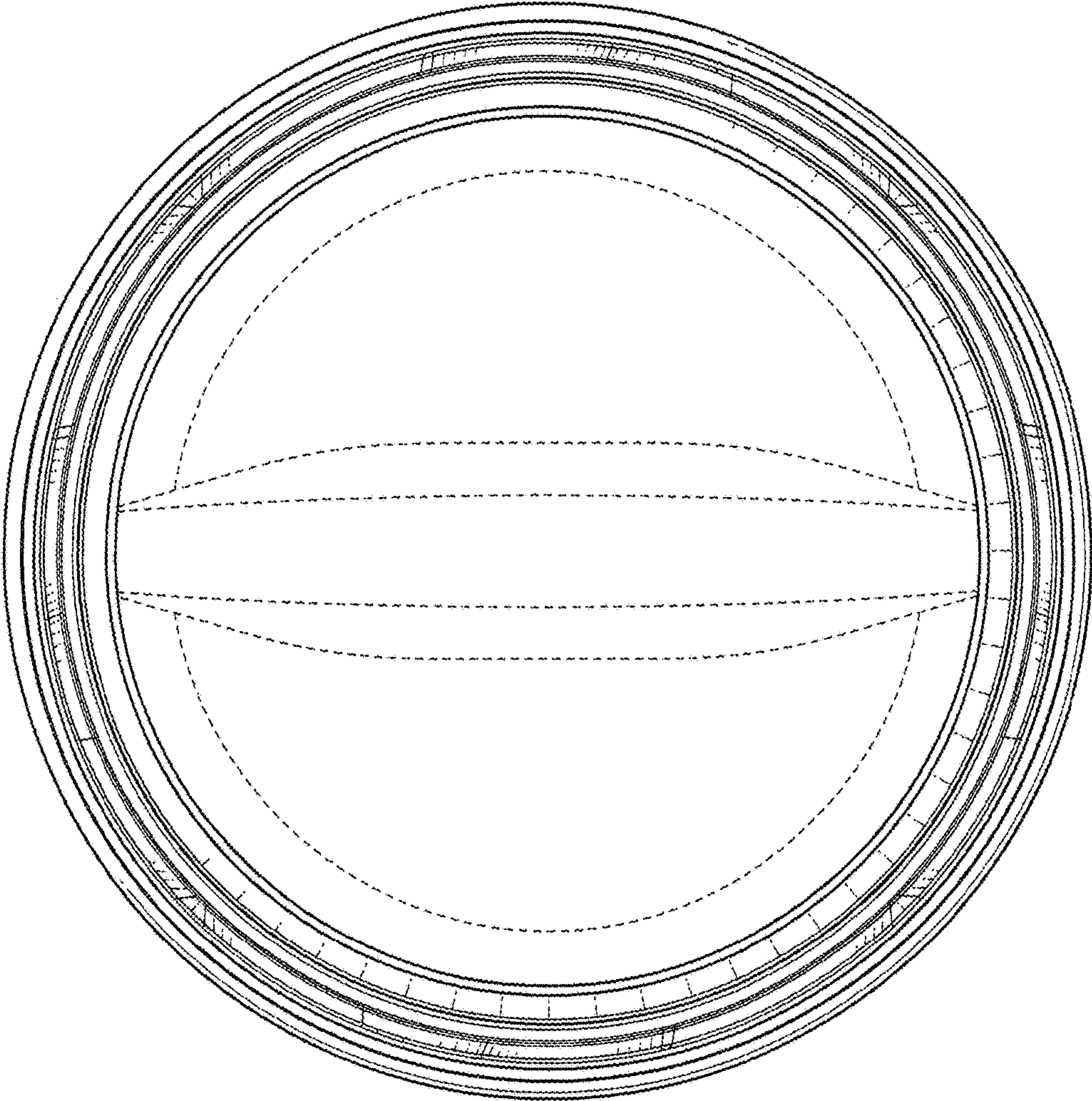


FIG. 4

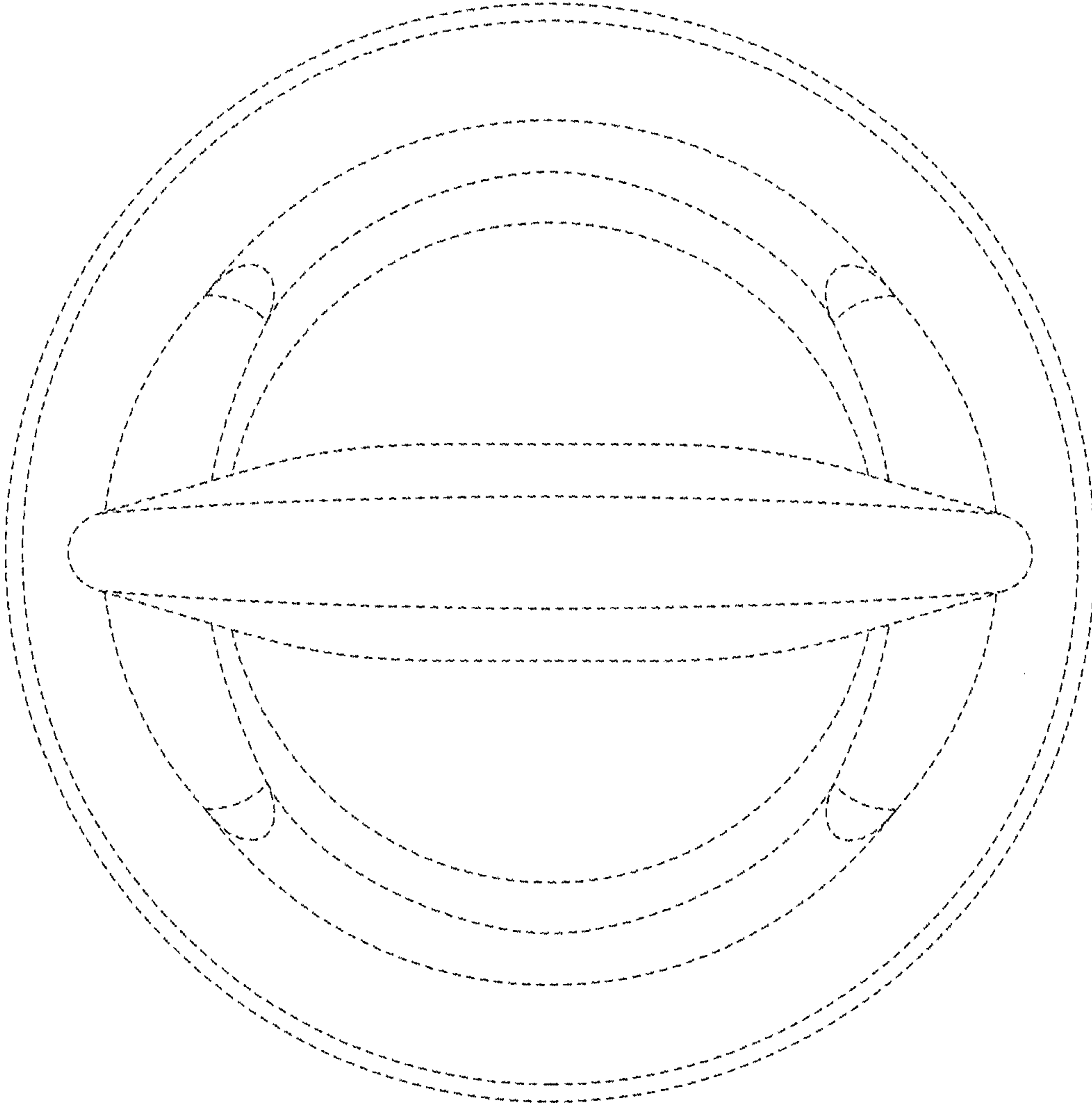


FIG. 5