



US00D869276S

(12) **United States Design Patent** (10) **Patent No.:** **US D869,276 S**
Accurso (45) **Date of Patent:** **** Dec. 10, 2019**

(54) **BOTTLE CAP**

(71) Applicant: **Abbott Laboratories**, Abbott Park, IL (US)

(72) Inventor: **Roger W. Accurso**, Pleasanton, CA (US)

(73) Assignee: **Abbott Laboratories**, Abbott Park, IL (US)

(**) Term: **15 Years**

(21) Appl. No.: **29/638,690**

(22) Filed: **Feb. 28, 2018**

Related U.S. Application Data

(63) Continuation-in-part of application No. 15/208,462, filed on Jul. 12, 2016, now Pat. No. 10,273,065, which is a continuation of application No. 14/137,209, filed on Dec. 20, 2013, now Pat. No. 9,403,629.

(51) **LOC (12) Cl.** **09-07**

(52) **U.S. Cl.**
USPC **D9/454; D24/224**

(58) **Field of Classification Search**
USPC D3/202, 203.1, 203.2, 318; D7/300, D7/300.1, 316, 317, 323, 354, 387, 391, D7/392, 392.1, 396.1, 396.2, 397, 398, D7/503, 509, 510, 511, 523, 526-531, D7/538, 566, 568, 600.1, 602, 603, 614, D7/619.1, 629, 704, 900; D8/14, 14.1, D8/45; D9/434, 435, 440, 447, 452, 453,
(Continued)

(56) **References Cited**

U.S. PATENT DOCUMENTS

571,708 A * 11/1896 Thompson B65D 47/247
137/845
D240,595 S 7/1976 Kress
(Continued)

FOREIGN PATENT DOCUMENTS

EP 2559997 2/2013
JP S 53-74984 7/1978

(Continued)

OTHER PUBLICATIONS

Make Your Own Gold Bars. 12' Green Gold Pan 5" #10 Mesh Screen & Bottle Snuffer—Panning Kit—Prospecting. 2016 [online], [site visited Feb. 10, 2016]. Available from Internet, <URL:http://www.makeyourowngoldbars.com/12-green-gold-pan-5-1-0-meshscreen-bottle-snuffer-panning-kit-prospecting>.

Primary Examiner — Jennifer Rivard

Assistant Examiner — Catherine S Posthauer

(74) *Attorney, Agent, or Firm* — Edward J. Baba; Bozicevic, Field & Francis LLP

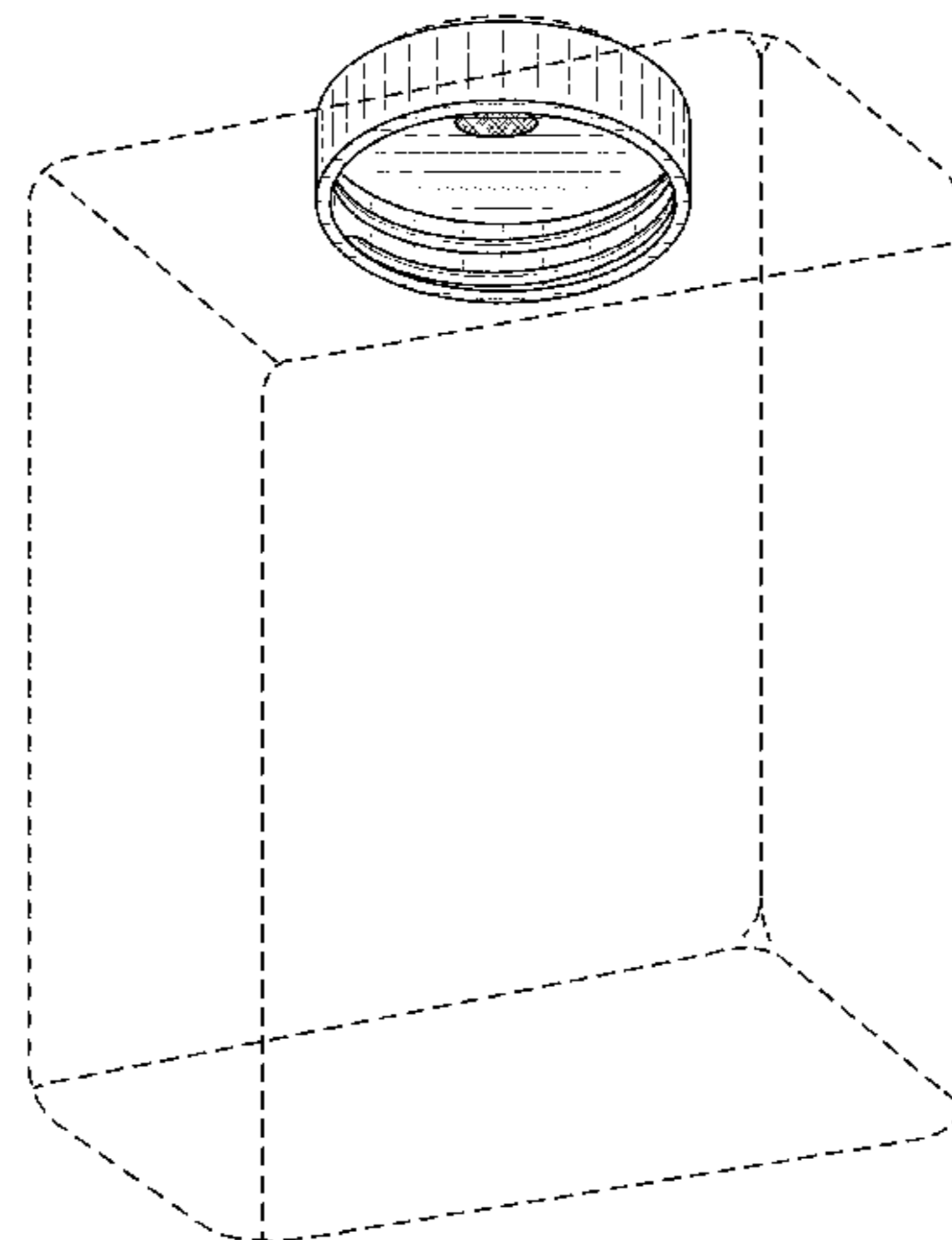
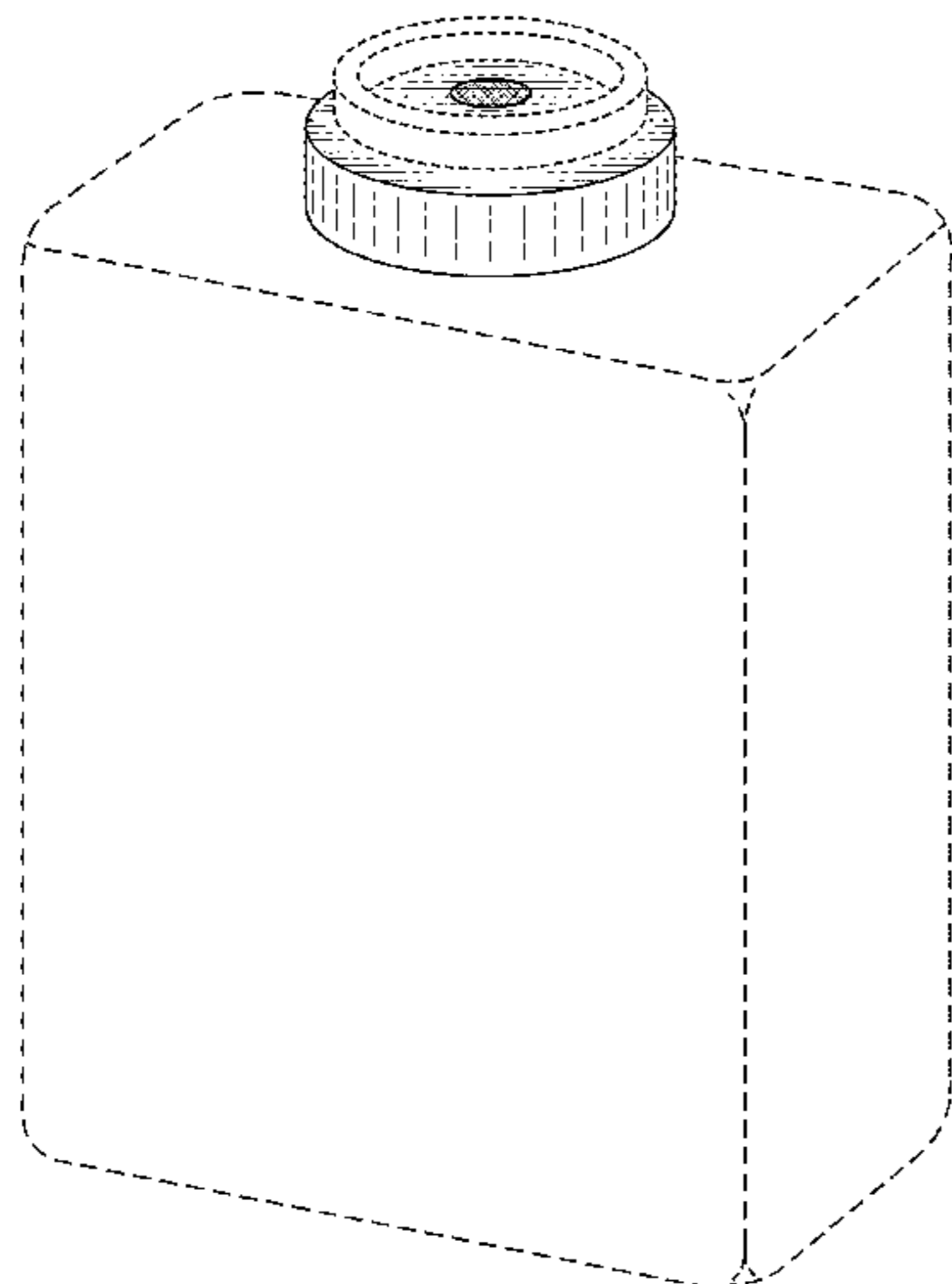
(57) **CLAIM**

The ornamental design for bottle cap, as shown and described.

DESCRIPTION

FIG. 1 is a top perspective view of a bottle cap showing our new design;
FIG. 2 is a bottom perspective view thereof;
FIG. 3 is a top plan view thereof;
FIG. 4 is a bottom plan view thereof;
FIG. 5 is a front elevation view thereof; and,
FIG. 6 is a right side elevation view thereof.
The undisclosed rear view is symmetrical to the front view and the undisclosed left view is symmetrical to the right side view. The broken lines are shown for the purpose of illustrating environmental subject matter of an exemplary bottle and portions of the bottle cap. None of the broken lines form part of the claimed design.

1 Claim, 6 Drawing Sheets



(58) **Field of Classification Search**

USPC D9/499, 516, 529, 686, 723; D23/259,
D23/260, 261; D24/121, 127, 199, 224
CPC B65D 2517/5091; B65D 41/04; B65D
23/12; B65D 1/0246; B65D 47/265;
B65D 47/065; B65D 51/24; B65D
51/224; B65D 51/245; B65D 2101/0015;
B65D 2251/0093; B65D 85/72; B65D
51/18; B65D 51/28; B65D 51/242; B65D
51/2814; B65D 51/2821; B65D 21/0228;
B65D 41/3447; B65D 1/02; A61L 9/12;
A47G 19/2205; A47G 19/2222; A47G
19/2266; A47G 19/2272; A47G 19/2294;
A47J 43/27; B05B 7/2437; B05C
17/00576; B01L 2200/025; G01N
35/1002

See application file for complete search history.

(56) **References Cited**

U.S. PATENT DOCUMENTS

D280,385 S 9/1985 Dinand
4,764,342 A 8/1988 Kelln et al.
4,770,854 A 9/1988 Lyman
D318,804 S * 8/1991 Ochs D9/453
D341,779 S * 11/1993 Lewis D9/435
5,262,049 A 11/1993 Ferkany
5,413,246 A 5/1995 Godolphin et al.
D363,429 S 10/1995 Lee
5,811,060 A 9/1998 Laguna
D419,071 S 1/2000 Peters
6,109,480 A 8/2000 Monsrud et al.
D431,005 S 9/2000 Jentjen
6,193,933 B1 2/2001 Sasaki et al.
D451,393 S * 12/2001 Gerhart D9/453
6,386,392 B1 5/2002 Argentieri et al.
D466,400 S 12/2002 Garcia
6,517,780 B1 2/2003 Cortelazzo
6,523,709 B2 2/2003 Miceli et al.
6,599,477 B1 7/2003 Miyake et al.
D484,419 S 12/2003 Potocki et al.
D492,596 S 7/2004 Miceli et al.
D500,681 S 1/2005 Uchiyama
D513,181 S * 12/2005 Bloom D9/453
D515,940 S 2/2006 Kratko
D516,911 S * 3/2006 Bloom D9/453
D527,632 S 9/2006 Romer
D571,199 S 6/2008 Petrosino
D574,708 S 8/2008 Reed
D584,632 S 1/2009 Lloyd et al.
D587,999 S * 3/2009 Schulthess D9/434
D592,954 S * 5/2009 Capretta D9/453
D595,570 S * 7/2009 Moretti D9/434

D596,491 S 7/2009 Rica
D600,133 S 9/2009 Friedman et al.
D616,090 S * 5/2010 Kawamura D24/127
7,799,560 B2 9/2010 Wilson et al.
8,100,297 B1 1/2012 Anish et al.
8,318,111 B2 11/2012 Mingerink et al.
8,337,780 B2 12/2012 Gaskins et al.
D680,001 S 4/2013 Miceli et al.
D680,004 S 4/2013 Lecetre et al.
D680,877 S 4/2013 Ghandour
D687,709 S * 8/2013 Taylor D9/453
D689,774 S 9/2013 Ford et al.
D691,890 S 10/2013 Ford et al.
D694,110 S * 11/2013 Tanner D9/452
8,652,424 B2 2/2014 Unger et al.
D709,766 S 7/2014 Miceli et al.
D712,739 S 9/2014 Lapsker
8,881,988 B2 11/2014 Miceli et al.
D723,917 S 3/2015 Koffel
D732,959 S 6/2015 Branstad
D751,394 S * 3/2016 Chartier D9/440
D751,408 S 3/2016 Baron et al.
D751,899 S 3/2016 Chu
D753,950 S * 4/2016 Feeley D7/392.1
D803,685 S * 11/2017 Kaye D9/453
D823,115 S * 7/2018 Walker D9/447
D854,182 S * 7/2019 Accurso B65D 55/14
D24/224

2003/0231988 A1 12/2003 Chiarin
2004/0013575 A1 1/2004 Stevens et al.
2006/0163869 A1 * 7/2006 Adler G09F 3/0288
283/81
2007/0246438 A1 10/2007 Chen
2009/0028752 A1 1/2009 Bala
2010/0254859 A1 10/2010 Chiarin et al.
2012/0252134 A1 10/2012 Galiano
2013/0045540 A1 2/2013 Collier et al.
2013/0121878 A1 * 5/2013 Wilson B01L 3/523
422/68.1
2013/0171025 A1 * 7/2013 Nojima G01N 35/10
422/63
2013/0209993 A1 8/2013 Aronowitz
2013/0334162 A1 * 12/2013 Howcroft A45F 3/16
215/227
2014/0263316 A1 * 9/2014 Accurso B65D 55/14
220/210
2017/0050780 A1 * 2/2017 Danks B65D 5/746

FOREIGN PATENT DOCUMENTS

JP T 58-501367 8/1983
JP A 10-063078 3/1998
JP A 2009-204525 9/2009
WO 2012/013970 2/2012

* cited by examiner

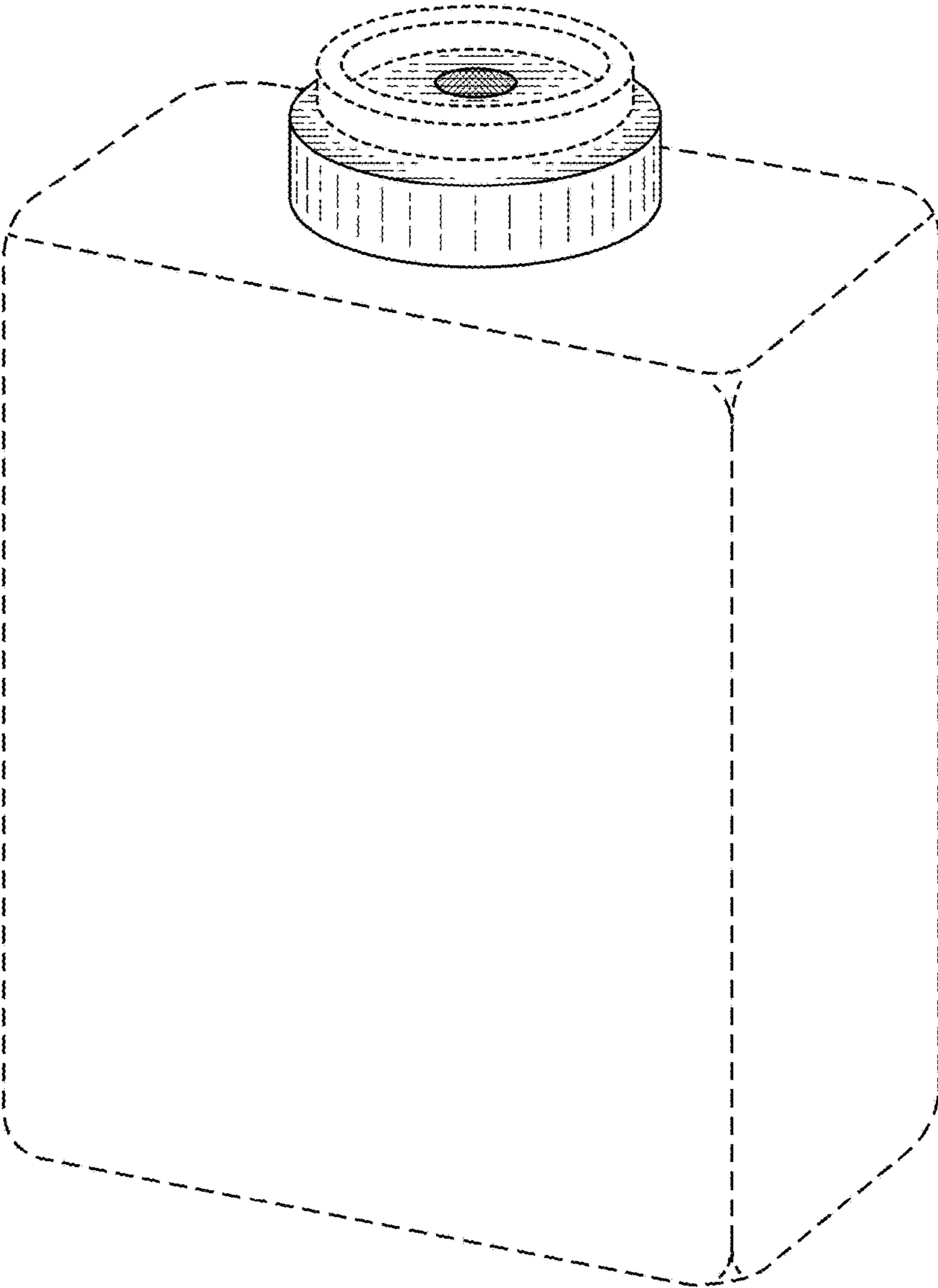


FIG. 1

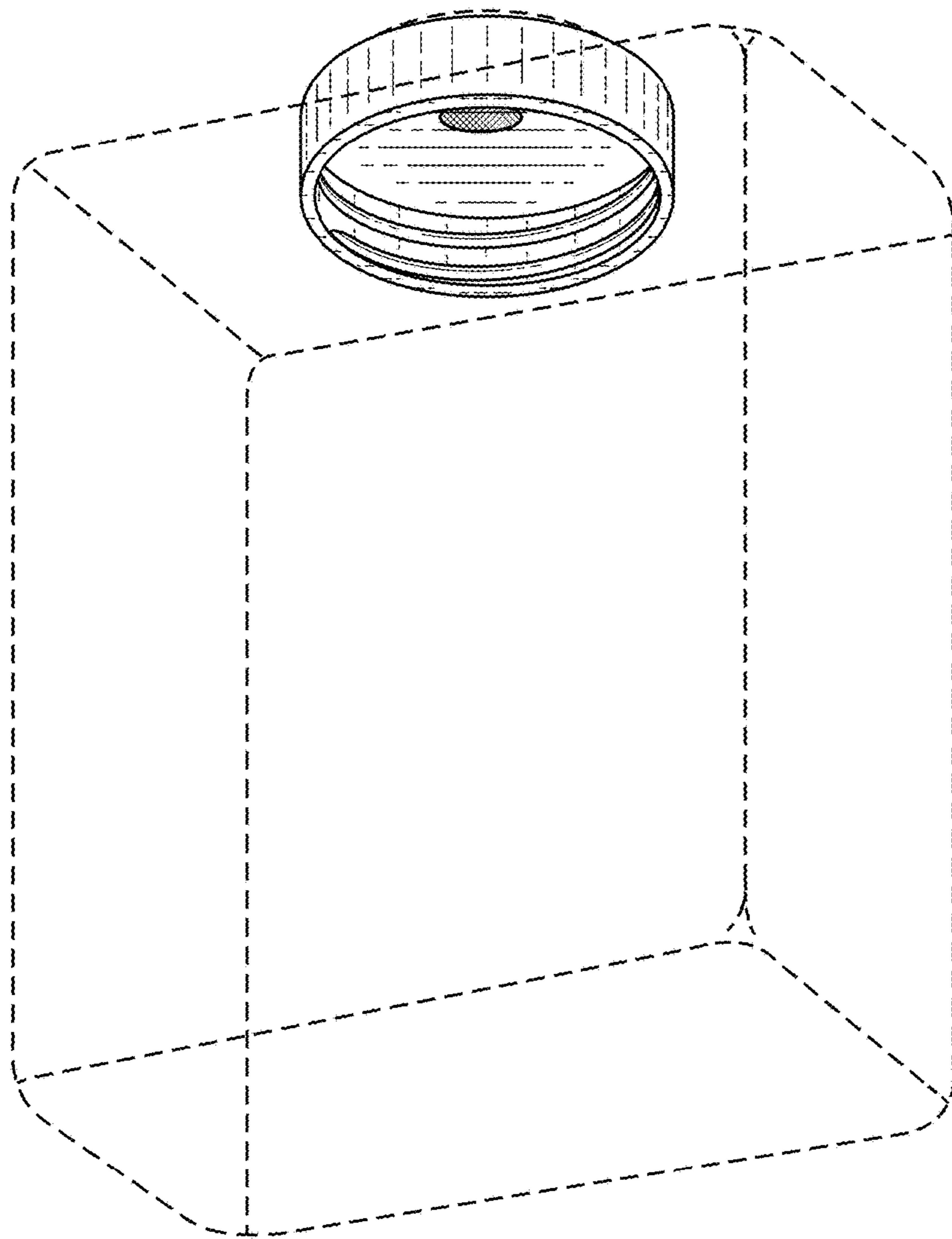


FIG. 2

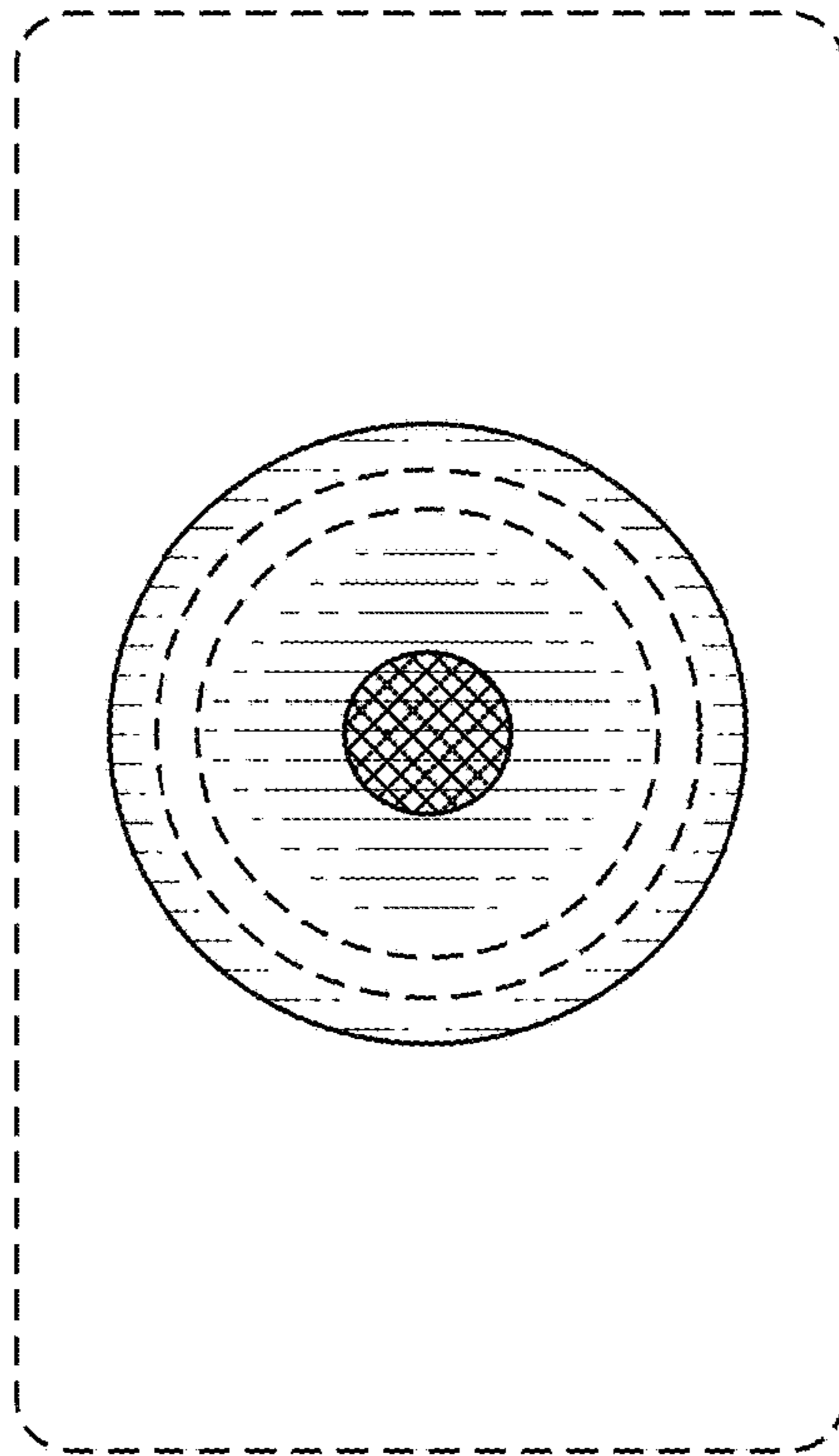


FIG. 3

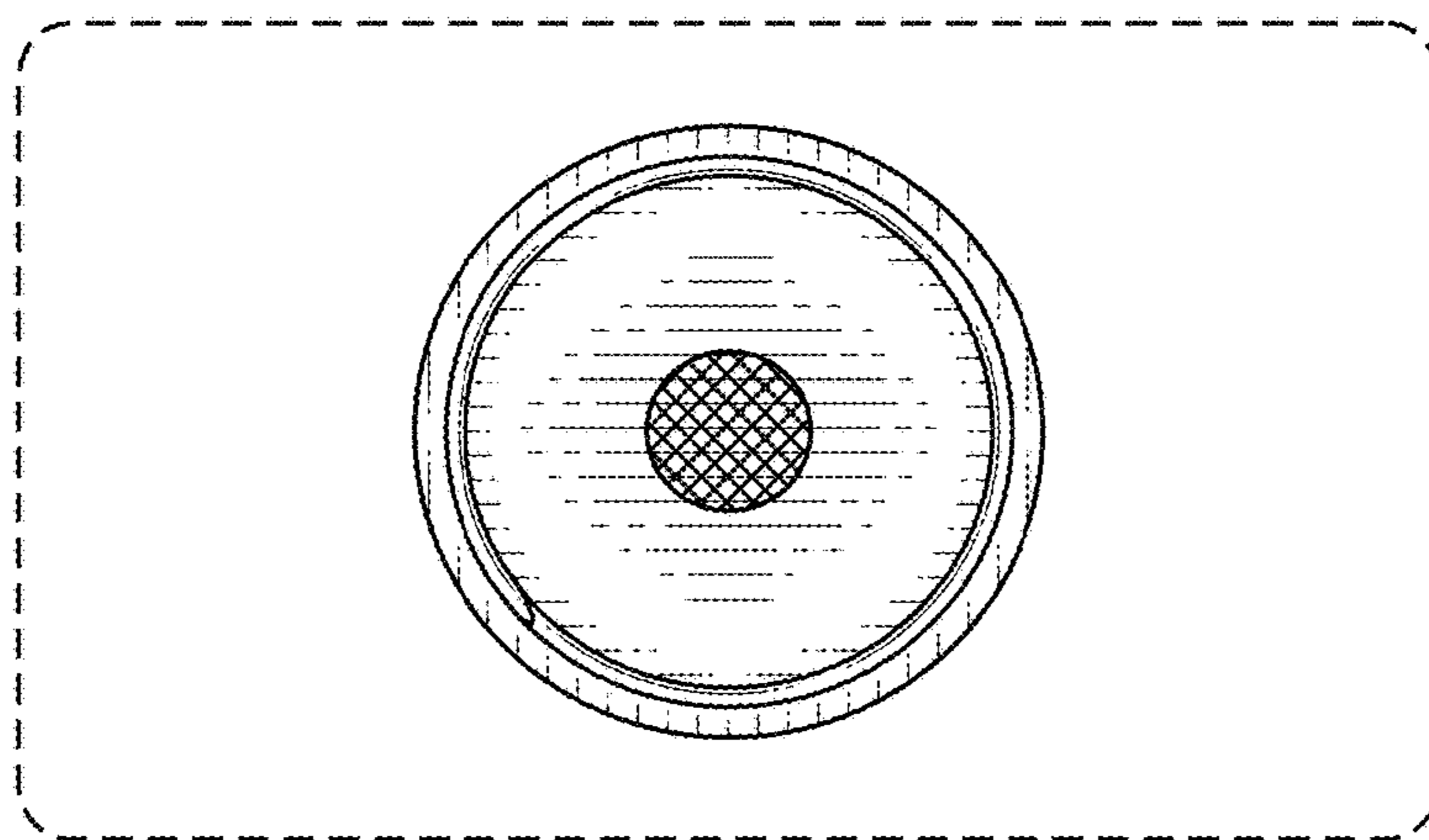


FIG. 4

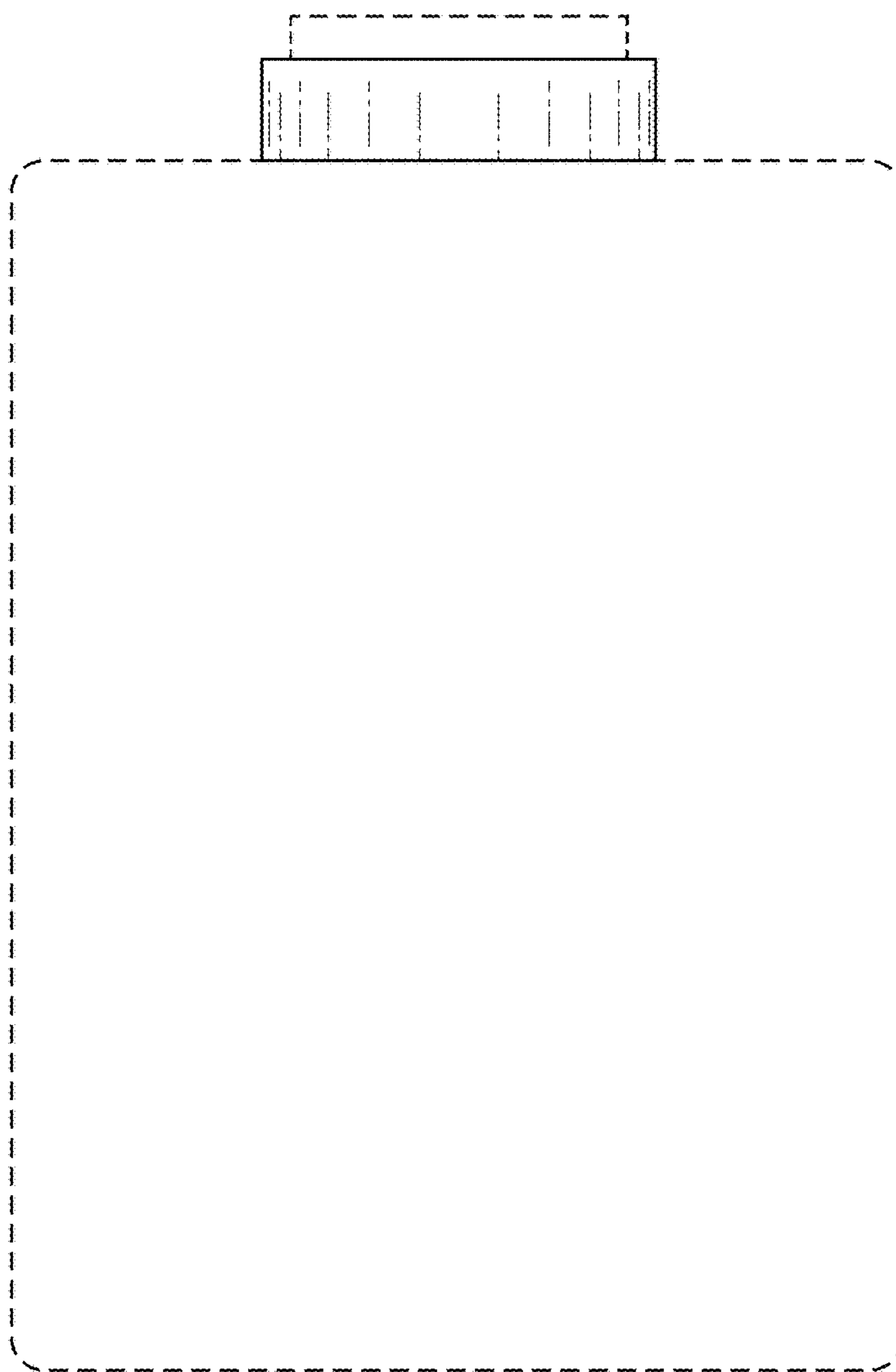


FIG. 5

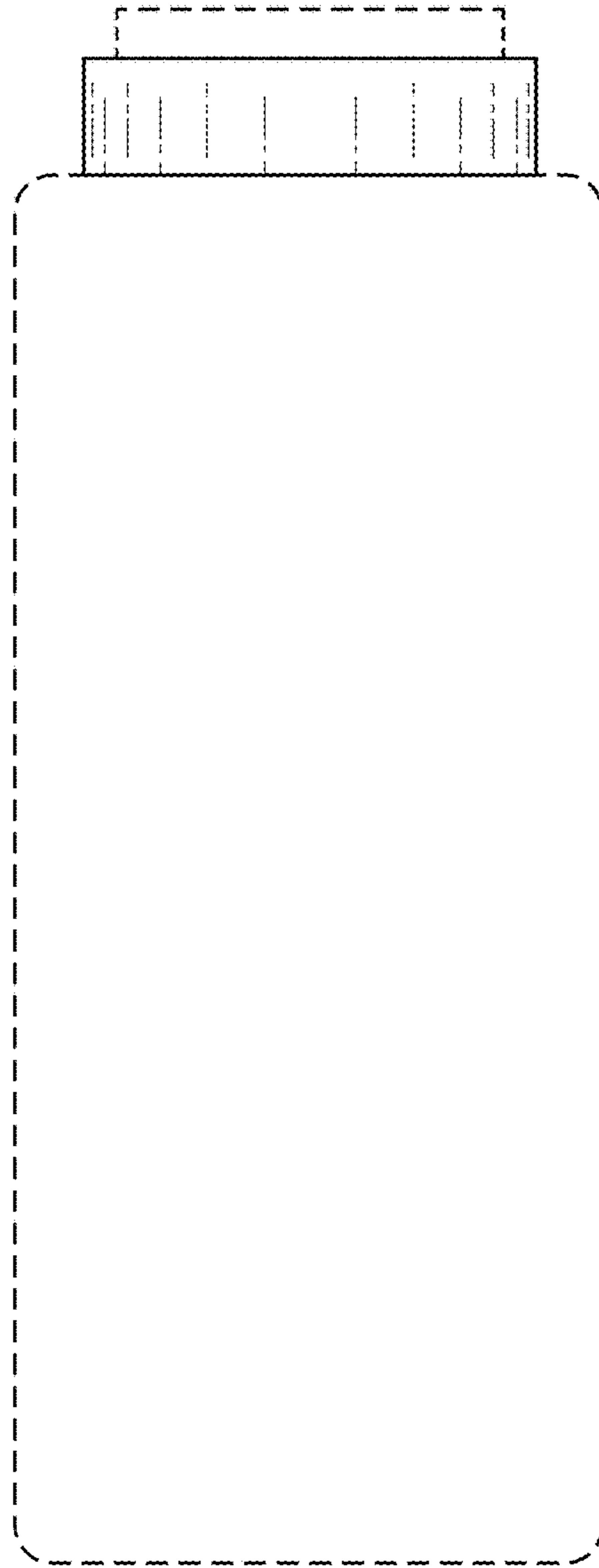


FIG. 6

UNITED STATES PATENT AND TRADEMARK OFFICE
CERTIFICATE OF CORRECTION

PATENT NO. : D869,276 S
APPLICATION NO. : 29/638690
DATED : December 10, 2019
INVENTOR(S) : Roger W. Accurso

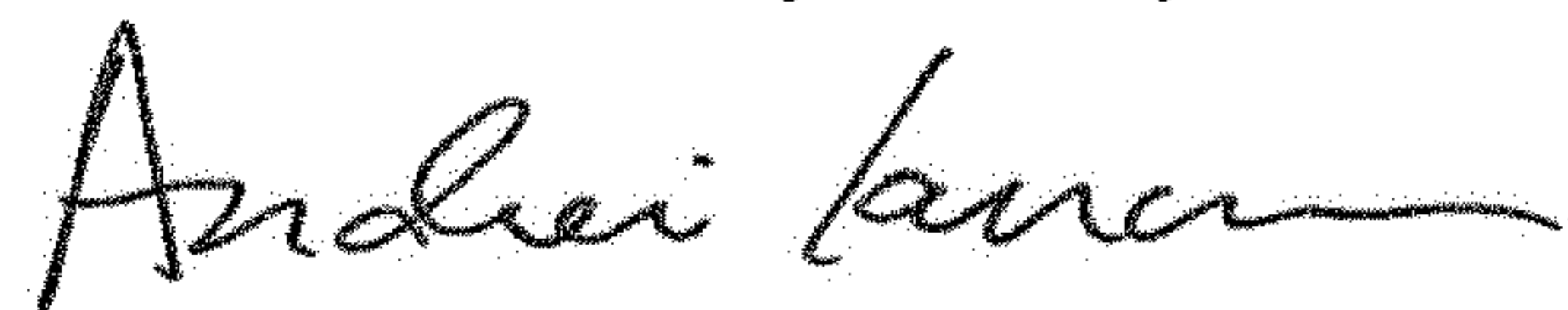
Page 1 of 1

It is certified that error appears in the above-identified patent and that said Letters Patent is hereby corrected as shown below:

On the Title Page

Under Related U.S. Application Data, please add:
(60) Provisional application No. 61/780,355, filed on Mar. 13, 2013.

Signed and Sealed this
Nineteenth Day of May, 2020



Andrei Iancu
Director of the United States Patent and Trademark Office