



US00D869274S

(12) **United States Design Patent**  
**Kim**

(10) **Patent No.:** **US D869,274 S**

(45) **Date of Patent:** **\*\* Dec. 10, 2019**

(54) **THREADED PLASTIC CAP**

(71) Applicant: **Silgan White Cap LLC**, Downers Grove, IL (US)

(72) Inventor: **Sungsuk Steve Kim**, Batavia, IL (US)

(73) Assignee: **Silgan White Cap LLC**, Downers Grove, IL (US)

(\*\*) Term: **15 Years**

(21) Appl. No.: **29/539,229**

(22) Filed: **Sep. 11, 2015**

(51) **LOC (12) Cl.** ..... **09-07**

(52) **U.S. Cl.**  
USPC ..... **D9/453**

(58) **Field of Classification Search**

USPC ..... D3/202, 203.1, 203.2, 273, 294, 318;  
D7/300, 300.1, 316, 317, 387, 391, 392.1,  
D7/393, 396.2, 509, 510, 511, 523,  
D7/525-531, 538, 541, 549, 629, 703,  
D7/900, 396, 396.1, 397, 398, 619.1;  
D8/349, 350, 352; D9/434-443, 446,  
D9/447, 448, 449, 450, 452, 453, 454,  
D9/502, 503, 504, 516, 517, 529, 414,  
D9/424, 428, 429, 686, 688; D24/121,  
D24/127, 199, 224; D28/7, 76, 78, 82,  
D28/85, 91; D26/36, 123, 124; D35/1,  
D35/7, 10, 11, 39; 206/216, 219, 541,  
206/22, 221, 220; 215/306, 305, 228,  
215/200; 220/212.5, 200; 222/81, 83,  
222/556, 533, 530, 519, 205, 192, 158,  
222/153.01; D23/249, 259, 260, 261

(Continued)

(56) **References Cited**

**U.S. PATENT DOCUMENTS**

D81,145 S \* 5/1930 Neuner ..... D26/36  
2,681,742 A \* 6/1954 Miller ..... B65D 41/045  
215/350

(Continued)

**OTHER PUBLICATIONS**

Portola Packaging Inc: Tamper Evident Plug Closure: Announced Apr. 12, 2012 [online]. Site Visited [Apr. 25, 2018]. Available from Internet URL: [https://www.packworld.com/article/package-component/closures/closures-rigid-containers/portola-packaging-inc-tamper-evident.\\*](https://www.packworld.com/article/package-component/closures/closures-rigid-containers/portola-packaging-inc-tamper-evident.*)

(Continued)

*Primary Examiner* — Jennifer Rivard

*Assistant Examiner* — Catherine S Posthauer

(74) *Attorney, Agent, or Firm* — Reinhart Boerner Van Deuren s.c.

(57) **CLAIM**

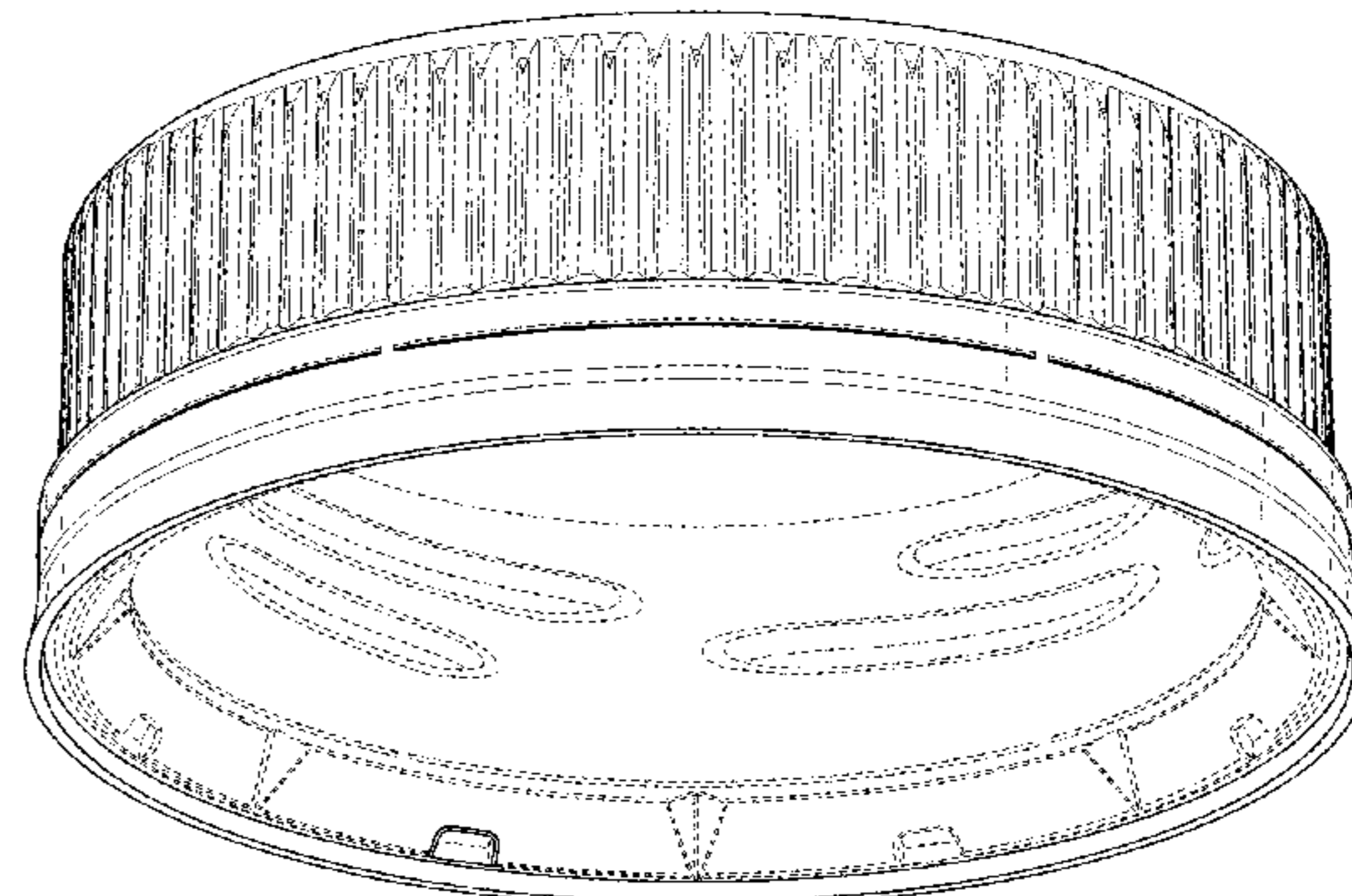
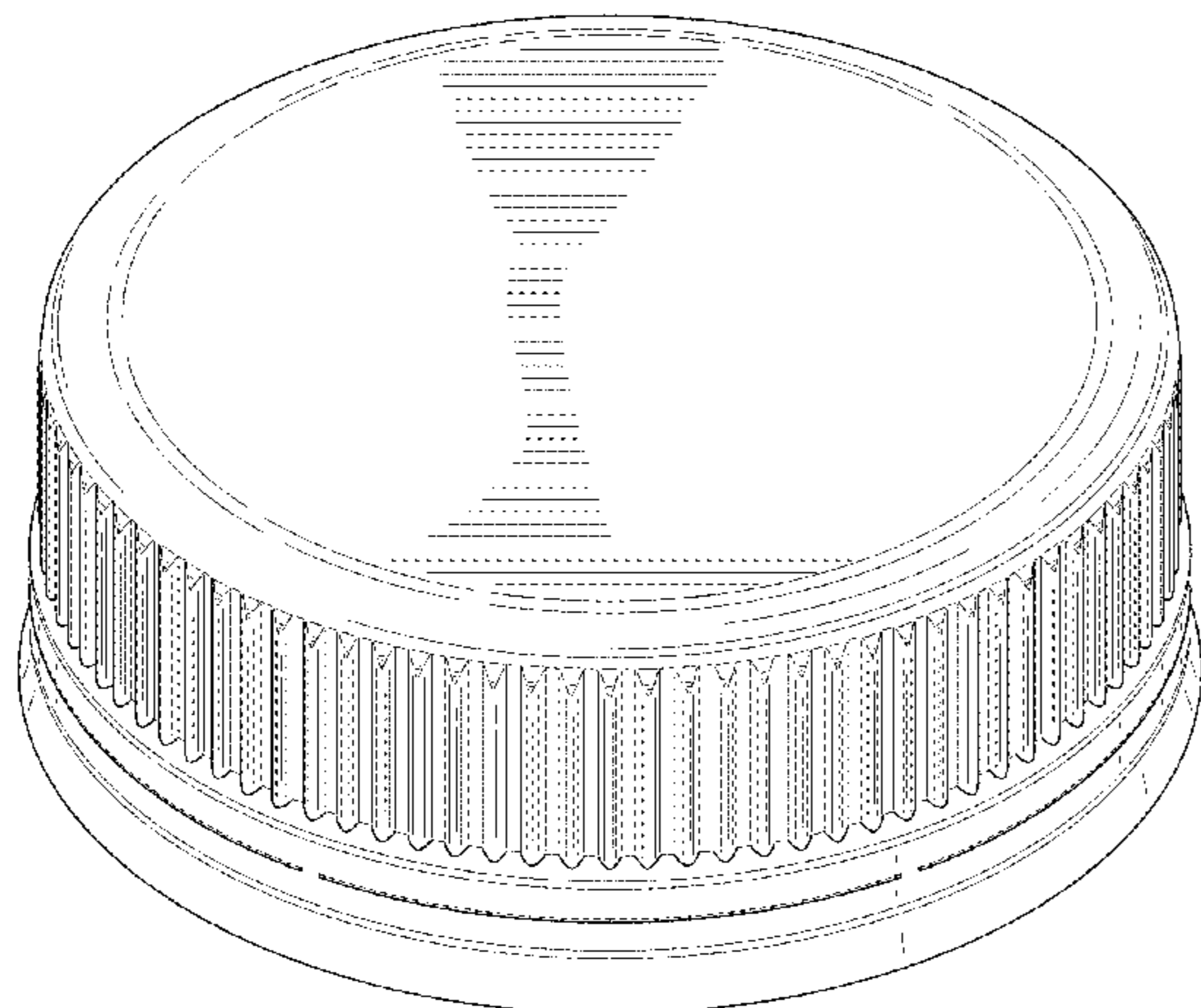
I claim the ornamental design for a threaded plastic cap, as shown and described.

**DESCRIPTION**

FIG. 1 is a perspective view of a threaded plastic cap showing my new design;  
FIG. 2 is a front view of the claimed design of FIG. 1, the rear view, the left side view, and the right side view being the same as the front view;  
FIG. 3 is a top plan view of the claimed design of FIG. 1;  
FIG. 4 is a bottom plan view of the claimed design of FIG. 1;  
FIG. 5 is a bottom perspective view from one side of the claimed design of FIG. 1; and,  
FIG. 6 is a bottom perspective view from the side 180 degrees opposite the side depicted in FIG. 5 of the claimed design of FIG. 1.

The ornamental design which is claimed is shown in solid lines in the drawings. The broken lines are shown for the purpose of illustrating parts of the article that form no part of the claim.

**1 Claim, 6 Drawing Sheets**



(58) **Field of Classification Search**

CPC ..... B65D 50/041; B65D 23/00; B65D 1/00;  
 B65D 1/02; B65D 1/0223; B65D  
 2501/00; B65D 2501/0009; B65D 83/06;  
 B65D 1/44; B65D 1/0246; B65D 41/34;  
 B65D 41/3428; B65D 53/02; B29B  
 11/08; B29B 11/14; B29B 2911/1402;  
 B29B 2911/14026; B29B 2911/1444;  
 B29L 2031/712

See application file for complete search history.

D681,466 S \* 5/2013 Cox ..... D9/441  
 D687,299 S \* 8/2013 Peykoff ..... D9/453  
 D688,129 S \* 8/2013 Krause ..... B65D 41/0414  
 D9/453  
 D693,221 S \* 11/2013 Ramsey ..... D9/453  
 D693,222 S \* 11/2013 Ramsey ..... D9/453  
 D693,683 S \* 11/2013 Ramsey ..... D9/453  
 D693,684 S \* 11/2013 Ramsey ..... D9/453  
 D693,685 S \* 11/2013 Ramsey ..... D9/453  
 8,596,477 B2 \* 12/2013 Kras ..... B65D 41/0442  
 215/276

(56) **References Cited**

U.S. PATENT DOCUMENTS

4,369,889 A \* 1/1983 Ostrowsky ..... B65D 41/045  
 215/246  
 4,981,230 A \* 1/1991 Marshall ..... B65D 41/3428  
 215/252  
 D384,857 S \* 10/1997 Beaulé ..... D7/387  
 D458,138 S \* 6/2002 Fuchs ..... D9/453  
 D460,357 S 9/2002 Kras et al.  
 D465,731 S \* 11/2002 Brant ..... D9/453  
 6,581,793 B1 \* 6/2003 Racine ..... B65D 41/045  
 215/252  
 6,659,297 B2 \* 12/2003 Gregory ..... B65D 41/045  
 215/252  
 6,702,134 B2 \* 3/2004 Scalese ..... B65D 41/0414  
 215/329  
 6,889,857 B2 \* 5/2005 Francois ..... B65D 41/0421  
 215/232  
 D507,745 S \* 7/2005 Pitman ..... D9/452  
 6,964,346 B1 11/2005 Taber et al.  
 6,981,602 B2 \* 1/2006 Ma ..... B29C 43/42  
 215/254  
 D518,717 S \* 4/2006 German ..... D9/453  
 D534,802 S \* 1/2007 German ..... D9/453  
 D535,189 S \* 1/2007 Pitman ..... D9/452  
 7,178,683 B2 2/2007 Birkmayer et al.  
 D538,654 S \* 3/2007 Seidita ..... D9/453  
 D542,654 S 5/2007 Szczesniak  
 D542,655 S 5/2007 Szczesniak  
 D542,656 S 5/2007 Szczesniak  
 D544,348 S 6/2007 Szczesniak  
 7,306,108 B2 \* 12/2007 Cleevely ..... B29C 43/18  
 215/252  
 7,344,039 B2 \* 3/2008 Bixler ..... B65D 41/3428  
 215/252  
 7,367,465 B2 5/2008 Taber et al.  
 D578,889 S \* 10/2008 Sadiq ..... D9/453  
 D583,236 S \* 12/2008 Fuchs ..... D9/453  
 D583,237 S \* 12/2008 Fuchs ..... D9/453  
 D584,149 S \* 1/2009 Lohrman ..... D9/453  
 D584,619 S \* 1/2009 Lohrman ..... D9/453  
 D587,115 S \* 2/2009 Capretta ..... D9/434  
 D606,401 S \* 12/2009 Kamath ..... D9/453  
 D606,864 S \* 12/2009 Robinson ..... D9/453  
 D608,201 S \* 1/2010 Fuchs ..... D9/453  
 D613,162 S \* 4/2010 Druitt ..... D9/453  
 D615,864 S \* 5/2010 Fuchs ..... D9/453  
 D619,003 S \* 7/2010 Benoit-Gonin ..... D9/453  
 D632,958 S \* 2/2011 Fuchs ..... D9/453  
 D633,386 S 3/2011 Taber et al.  
 D634,199 S 3/2011 Taber et al.  
 D634,200 S 3/2011 Taber et al.  
 D638,707 S \* 5/2011 Stoffers ..... D9/451  
 8,231,020 B2 \* 7/2012 Taber ..... B65D 41/04  
 215/228  
 D671,834 S \* 12/2012 Chasteen ..... D9/453  
 8,360,257 B2 \* 1/2013 Sebille ..... B29C 45/4407  
 215/219  
 8,393,483 B2 \* 3/2013 Druitt ..... B65D 41/04  
 215/252  
 D681,465 S \* 5/2013 Cox ..... D9/441

8,672,158 B2 3/2014 Taber et al.  
 D712,743 S 9/2014 Neputy et al.  
 D712,744 S 9/2014 Neputy et al.  
 D714,146 S \* 9/2014 King ..... D9/453  
 D723,919 S 3/2015 Taber et al.  
 D727,152 S \* 4/2015 Yaseen ..... D9/454  
 D762,115 S \* 7/2016 Corvaglia ..... D9/443  
 D792,219 S \* 7/2017 Bueno Nunez ..... D9/453  
 9,902,530 B2 \* 2/2018 Smith ..... B65D 41/34  
 2001/0027957 A1 \* 10/2001 Kano ..... B65D 41/0421  
 215/341  
 2002/0158037 A1 \* 10/2002 Kano ..... B65D 41/0421  
 215/341  
 2003/0132244 A1 \* 7/2003 Birkmayer ..... B65D 41/3442  
 222/83  
 2004/0007556 A1 \* 1/2004 Manera ..... B65D 41/06  
 215/332  
 2006/0000793 A1 \* 1/2006 Mavin ..... B65D 47/103  
 215/253  
 2008/0067142 A1 \* 3/2008 Druitt ..... B65D 41/04  
 215/324  
 2008/0087625 A1 \* 4/2008 Kumata ..... B65D 41/0485  
 215/252  
 2008/0149586 A1 \* 6/2008 Loughrin ..... B65D 41/3409  
 215/252  
 2008/0264894 A1 \* 10/2008 Loughrin ..... B65D 41/045  
 215/256  
 2010/0200532 A1 \* 8/2010 Ekkert ..... B65D 51/00  
 215/201  
 2011/0290755 A1 \* 12/2011 Taber ..... B65D 41/00  
 215/329  
 2012/0018401 A1 \* 1/2012 Win ..... B65D 41/3428  
 215/252  
 2012/0318768 A1 \* 12/2012 Bashyam ..... B65D 41/0485  
 215/329  
 2013/0270272 A1 \* 10/2013 Smith ..... B65D 41/0414  
 220/288  
 2013/0313218 A1 \* 11/2013 Cox ..... B65D 41/0485  
 215/246  
 2014/0158660 A1 \* 6/2014 Wood ..... B65D 41/0421  
 215/252  
 2014/0263335 A1 \* 9/2014 Taber ..... B65D 41/0421  
 220/276  
 2015/0122769 A1 \* 5/2015 Taber ..... B65D 51/145  
 215/350  
 2015/0336716 A1 \* 11/2015 Gehringer ..... B29C 45/1676  
 215/316  
 2016/0039579 A1 \* 2/2016 Wood ..... B65D 41/0421  
 215/329  
 2016/0332783 A1 \* 11/2016 Kim ..... B65D 41/34

OTHER PUBLICATIONS

Cincinnati Container Closure Detail: Tamper Evident Ring: Announced  
 Mar. 21, 2013 [online]. Site visited [Apr. 25, 2018]. Available from  
 Internet URL: <http://www.cincinnaticontainer.com/ViewArticle.aspx?ID=65>. \*  
 U.S. Appl. No. 29/482,293, filed Feb. 17, 2014, Berge et al.  
 U.S. Appl. No. 14/709,198, filed May 11, 2015, Sunguk Steve Kim.  
 U.S. Appl. No. 29/528,127, filed May 26, 2015, Neputy et al.  
 U.S. Appl. No. 29/539,252, filed Sep. 11, 2015, Sunguk Steve Kim.

\* cited by examiner

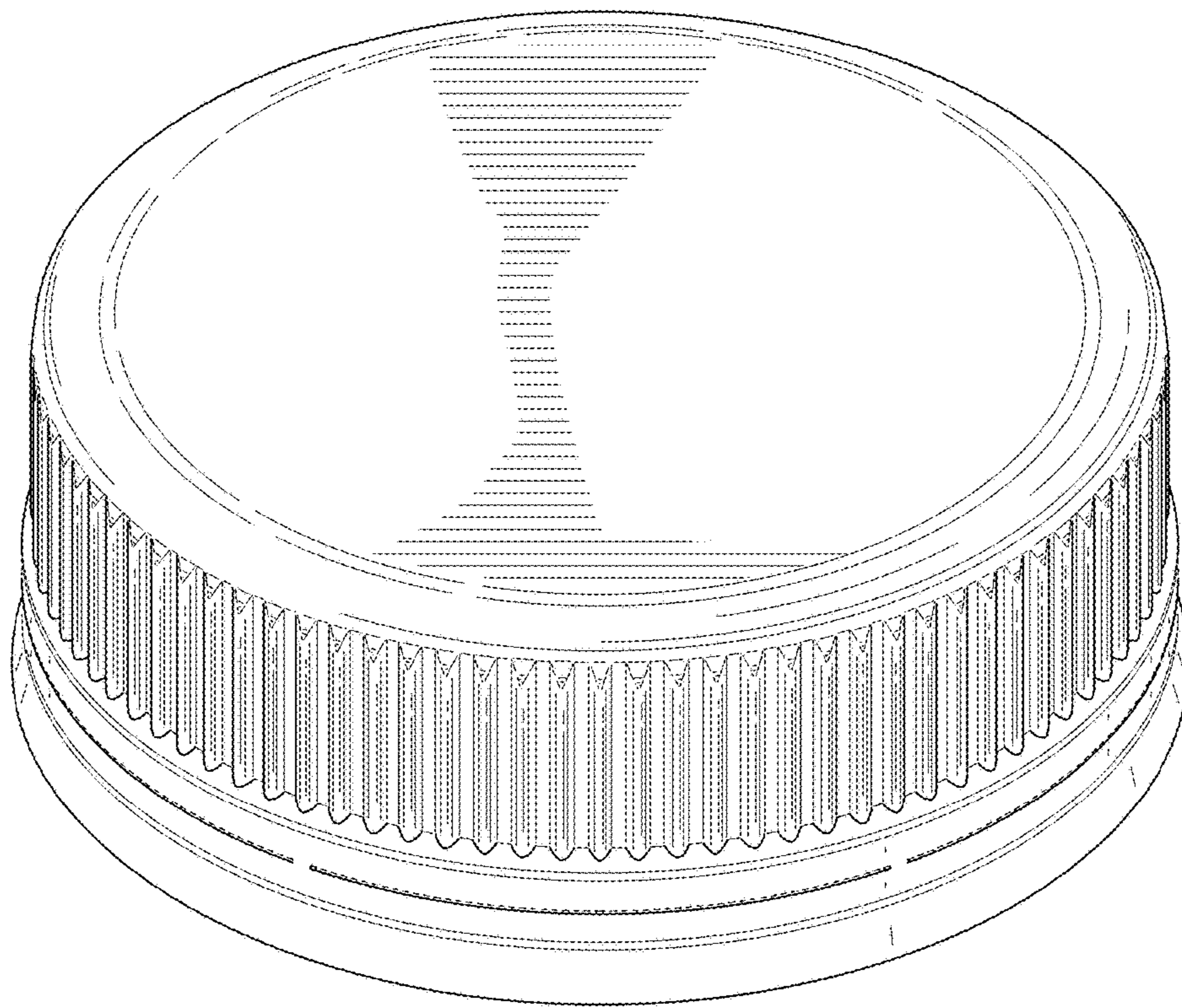
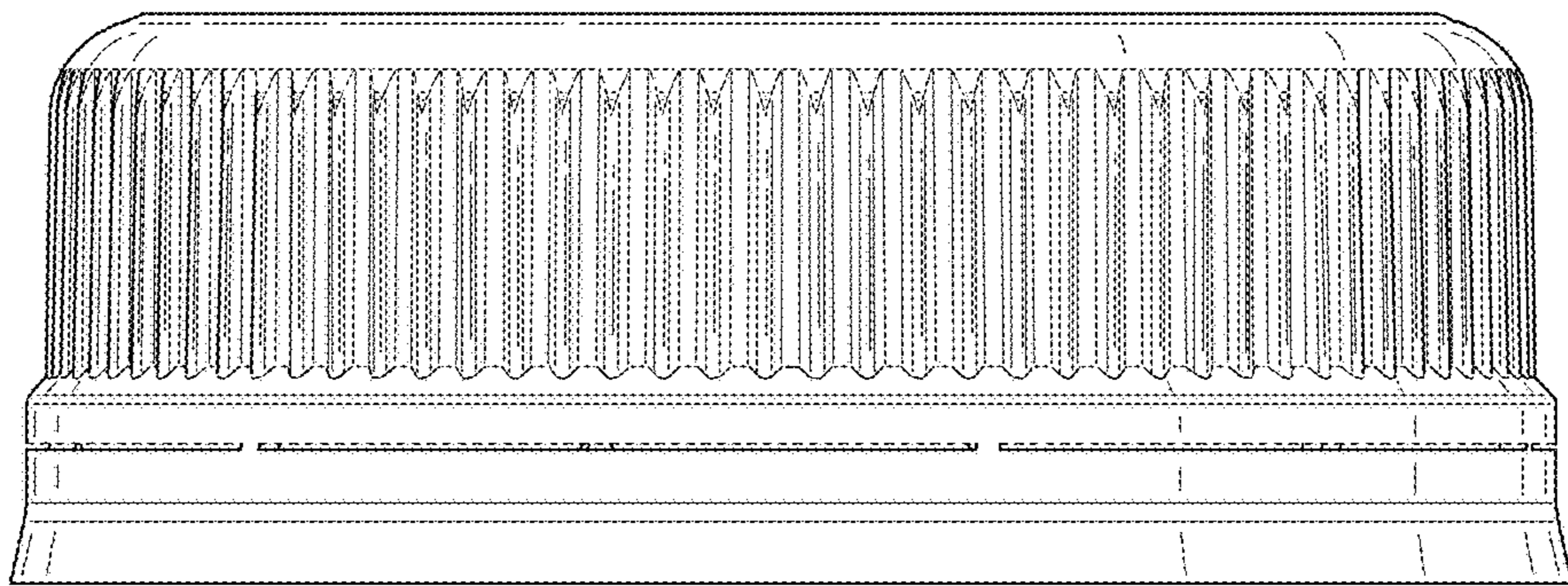


FIG. 1



**FIG. 2**

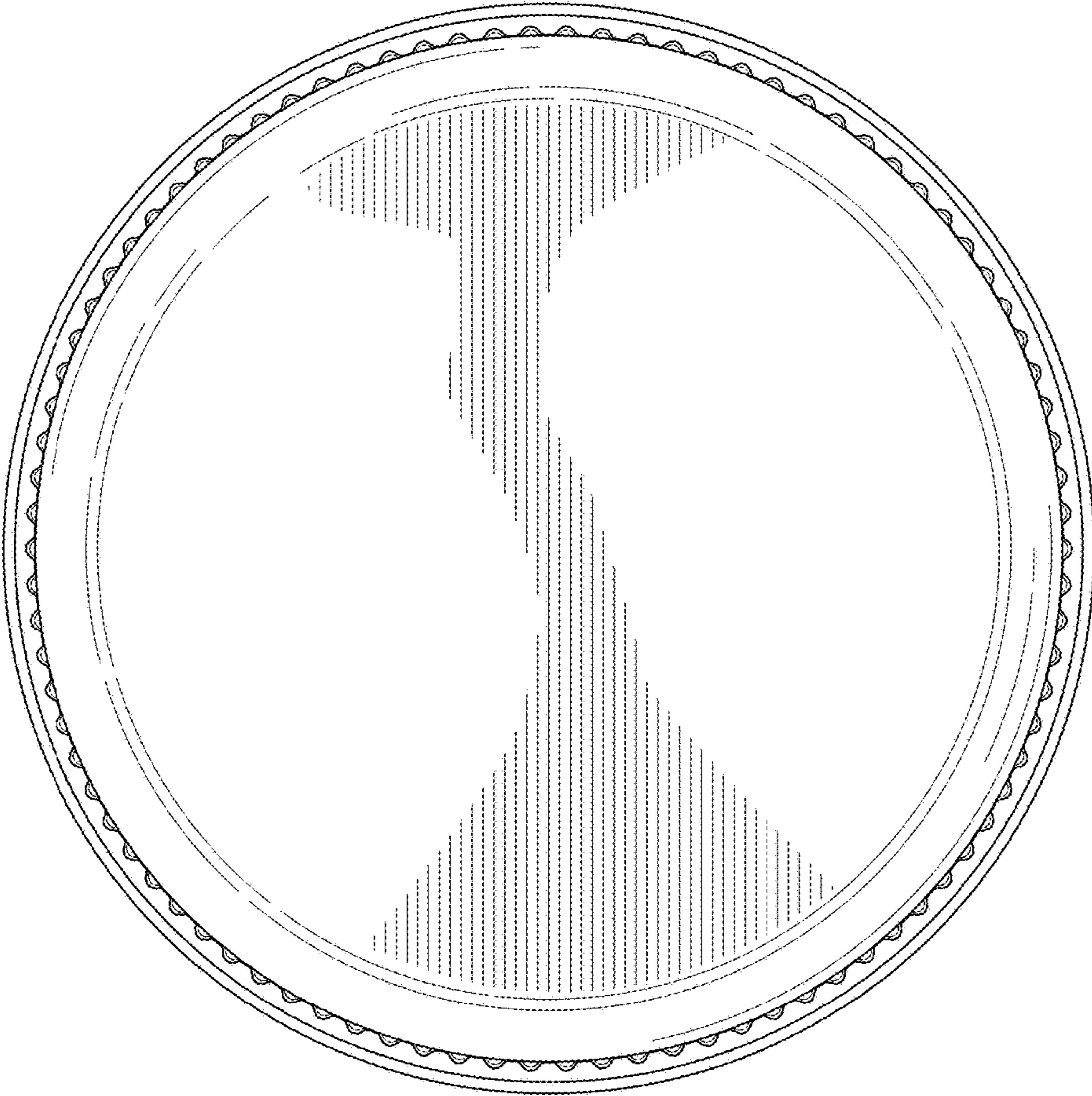


FIG. 3

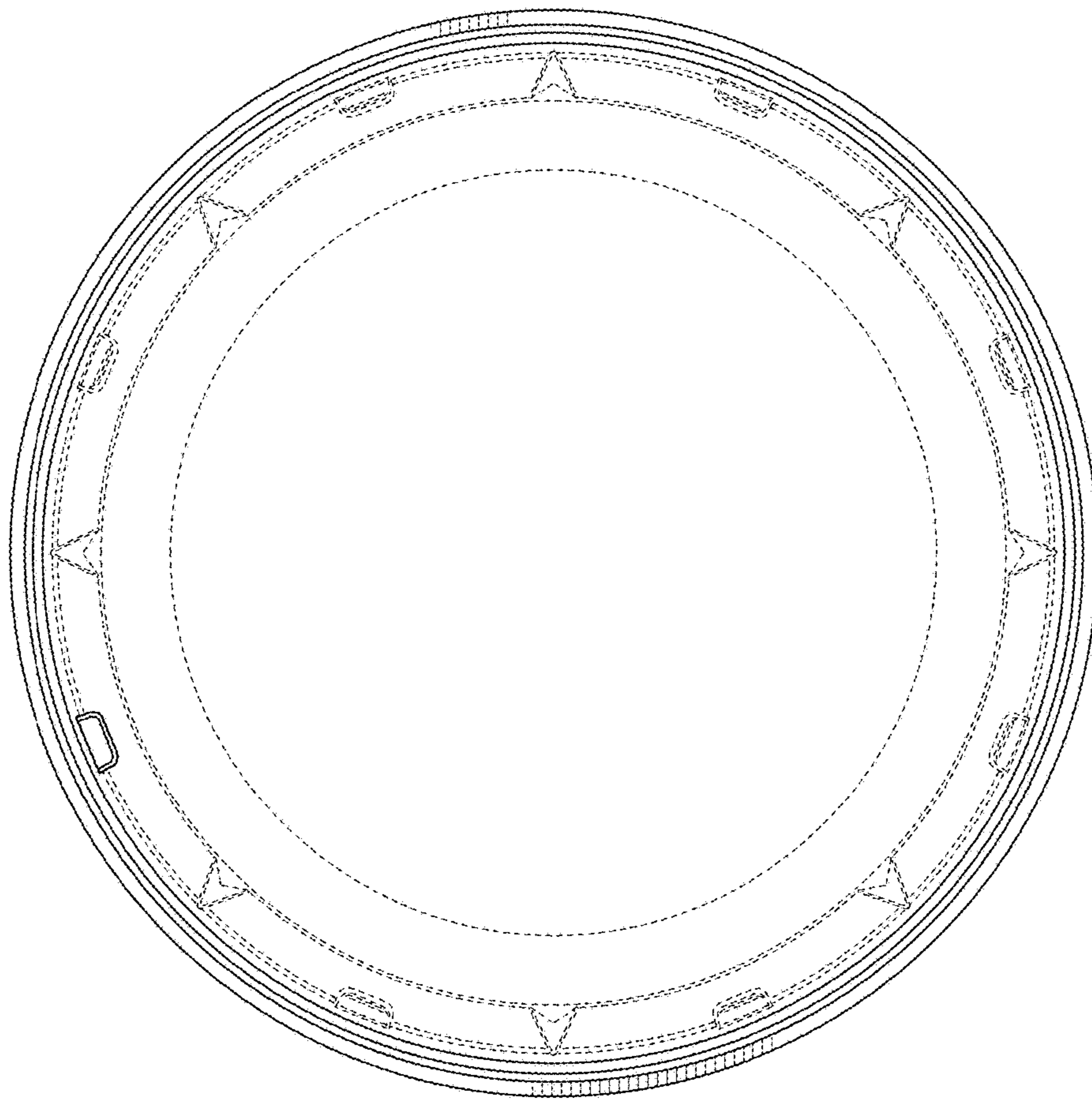


FIG. 4

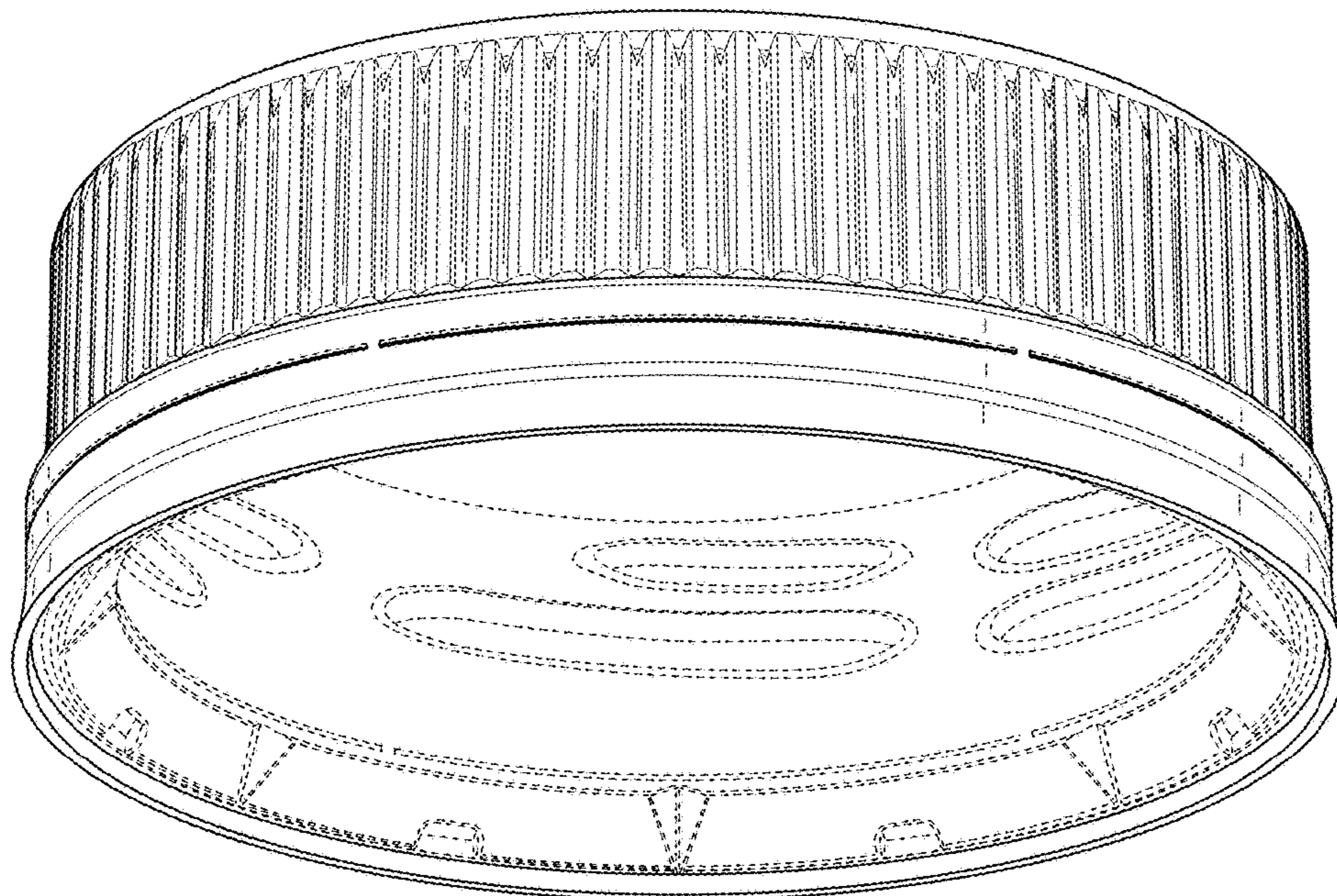


FIG. 5

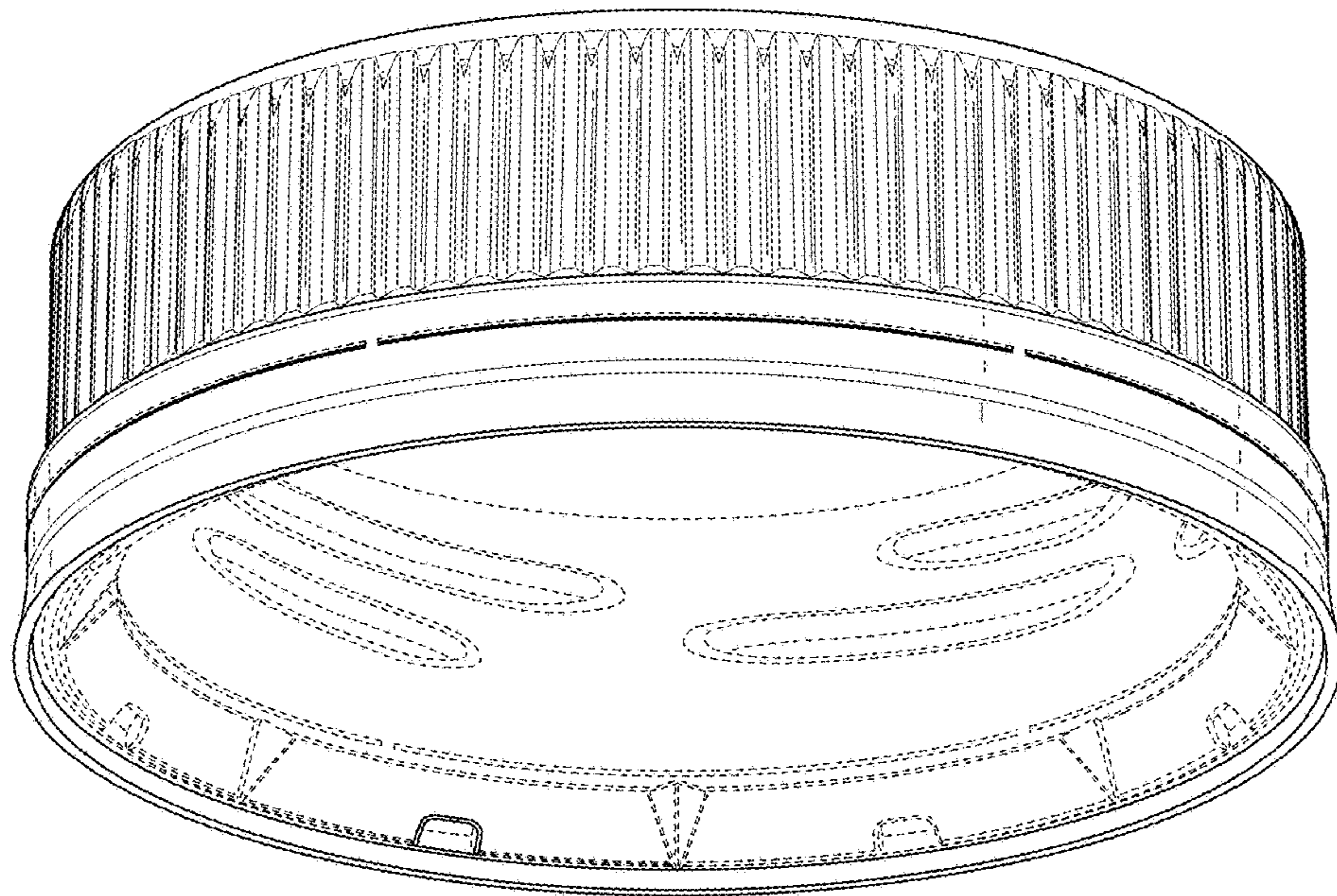


FIG. 6