



US00D869273S

(12) **United States Design Patent**
Kim et al.

(10) **Patent No.:** **US D869,273 S**
(45) **Date of Patent:** **** Dec. 10, 2019**

(54) **INNER CONTAINER FOR A COMPACT**

B65D 2543/00296; B65D 5/46; B65D
2251/00

(71) Applicant: **YONWOO CO., LTD.**, Incheon (KR)

See application file for complete search history.

(72) Inventors: **Ah-Young Kim**, Incheon (KR); **Jae Ock Lee**, Incheon (KR); **Seo-Hui Jung**, Incheon (KR); **Hyo-Sun Jung**, Incheon (KR)

(56) **References Cited**

U.S. PATENT DOCUMENTS

D69,183 S * 1/1926 Lewis D28/82
2,315,647 A * 4/1943 Nyden A45D 33/006
132/305
D137,166 S * 2/1944 Crane D28/82

(73) Assignee: **YONWOO CO., LTD.**, Incheon (KR)

(Continued)

(**) Term: **15 Years**

Primary Examiner — Michael A. Pratt

Assistant Examiner — Wendy L Arminio

(21) Appl. No.: **29/582,214**

(74) *Attorney, Agent, or Firm* — Marshall, Gerstein & Borun LLP

(22) Filed: **Oct. 26, 2016**

(57) **CLAIM**

The ornamental design for an inner container for a compact, as shown and described.

(30) **Foreign Application Priority Data**

Apr. 28, 2016 (KR) 30-2016-0020247

DESCRIPTION

(51) **LOC (12) Cl.** **09-07**

(52) **U.S. Cl.**

USPC **D9/449**; D28/82

(58) **Field of Classification Search**

USPC D9/414, 415, 424, 425, 434, 435, 436,
D9/443, 444-452, 454-456, 499, 529,
D9/682, 685, 686; D7/387, 391, 392,
D7/392.1, 396.1, 396.2, 396.3, 396.4,
D7/397, 398, 401.1, 507, 509-511, 538,
D7/900; D3/202, 203.2; D28/91, 91.1,
D28/78, 82

CPC .. A61J 1/00; A61J 1/1412; B65D 1/00; B65D
1/02; B65D 1/10; B65D 1/46; B65D
2585/56; B65D 2585/545; B65D 41/00;
B65D 41/38; B65D 41/56; B65D 41/62;
B65D 47/00; B65D 47/06; B65D 47/08;
B65D 2543/00046; B65D 2543/00092;

FIG. 1 is a front, right-side, and top view of an inner container for a compact showing the new design.

FIG. 2 is a top plan view of the inner container for a compact.

FIG. 3 is a front elevation view of the inner container for a compact.

FIG. 4 is a right-side elevation view of the inner container for a compact.

FIG. 5 is a cross sectional right-side view, better showing the profile of the top.

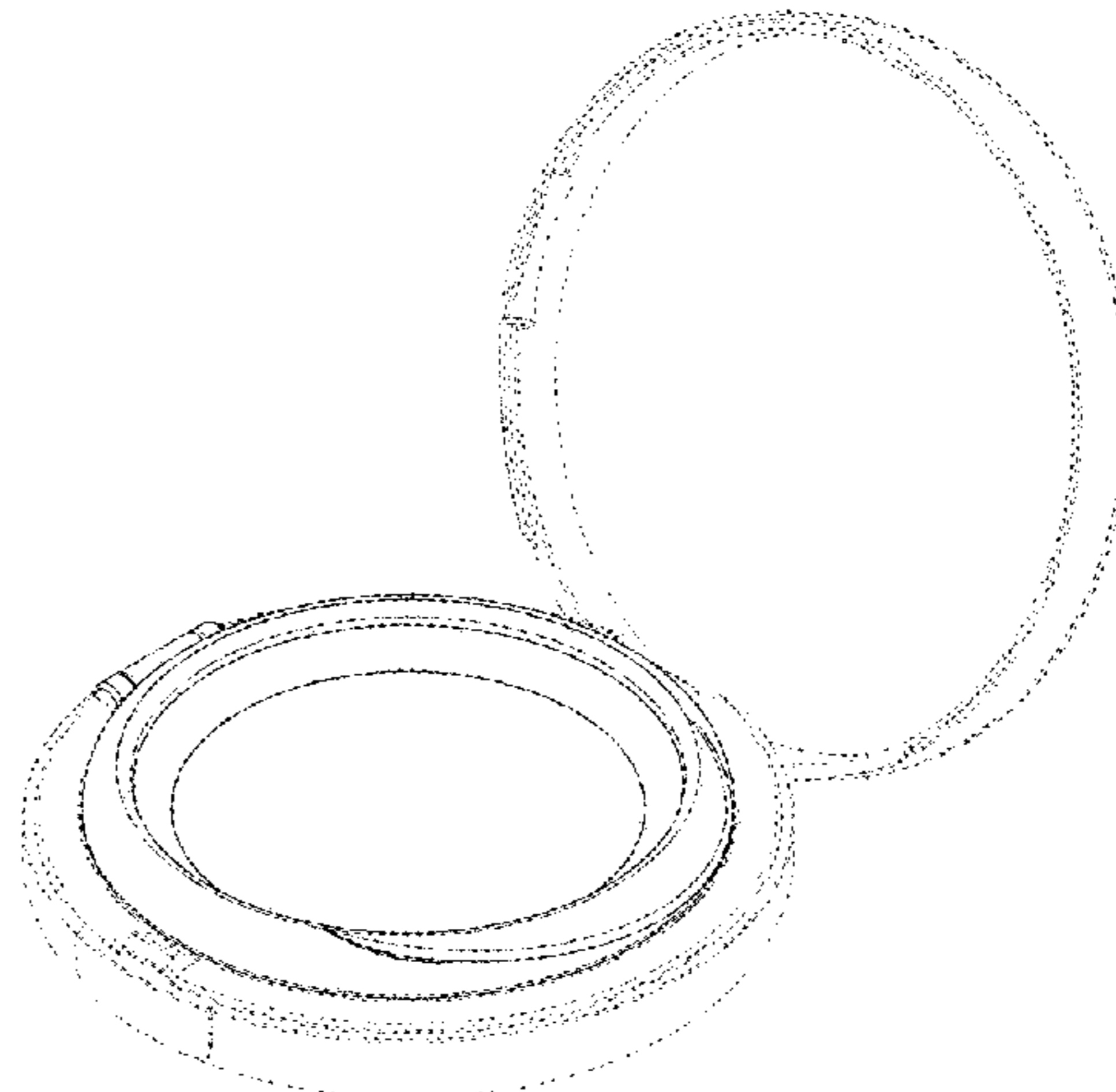
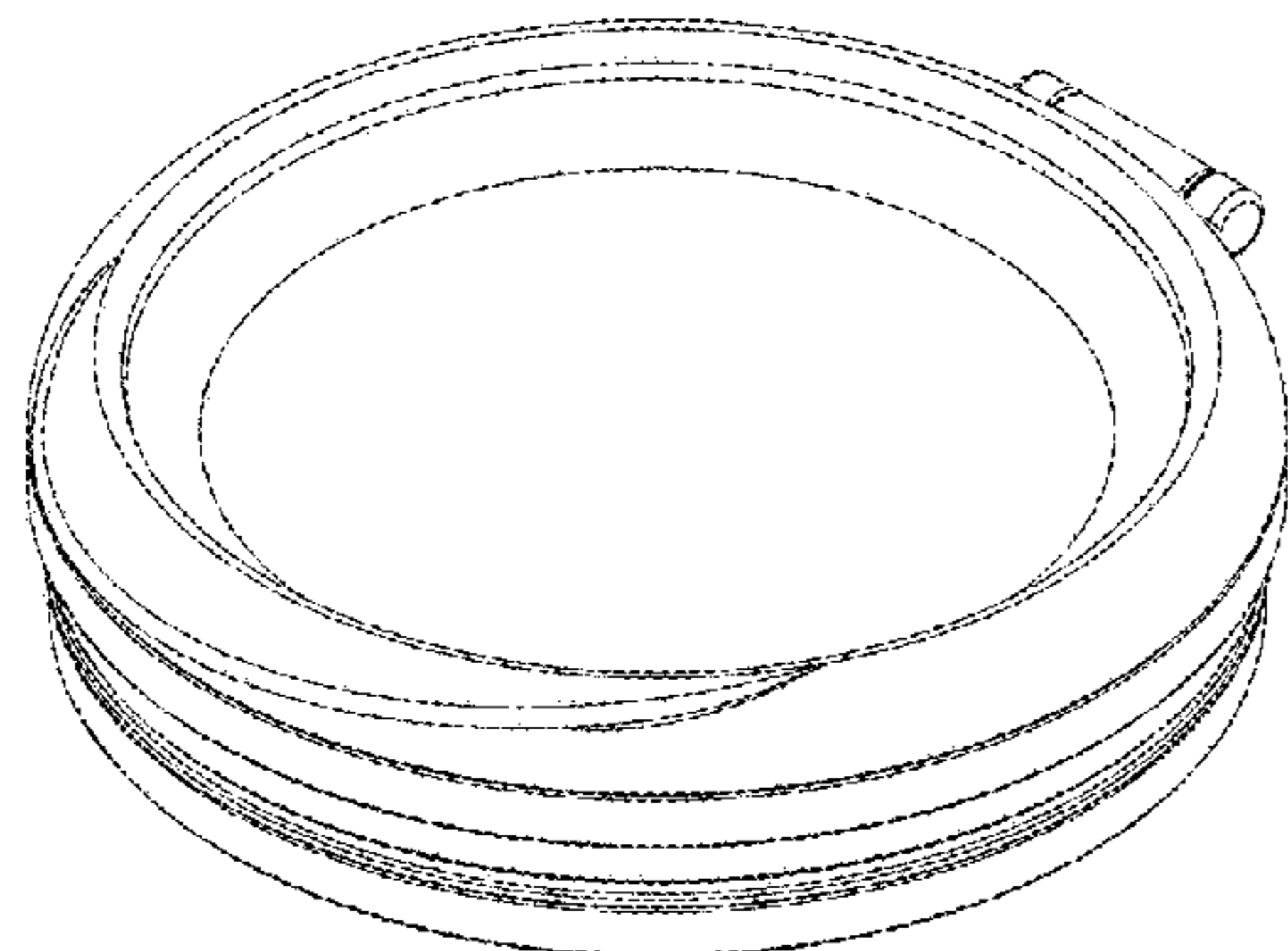
FIG. 6 is a rear elevation view of the inner container for a compact.

FIG. 7 is a left-side elevation view of the inner container for a compact.

FIG. 8 is a bottom plan view of the inner container for a compact; and,

FIG. 9 is a front, right-side, and top view showing the inner container for a compact in a position of use inside a compact drawn in broken lines.

(Continued)



The broken lines illustrating a compact depict environment and form no part of the claimed design. All other broken lines depict portions of the inner container for a compact that form no part of the claimed design.

1 Claim, 9 Drawing Sheets

(56)

References Cited

U.S. PATENT DOCUMENTS

3,552,402 A * 1/1971 Levy A45D 40/221
132/293
D402,412 S * 12/1998 Thorpe D28/82
D473,344 S * 4/2003 Thorpe D28/82
D473,345 S * 4/2003 Thorpe D28/82
D521,381 S * 5/2006 Hicks D9/449

D521,865 S * 5/2006 Hicks D9/449
D522,363 S * 6/2006 Hicks D9/449
D523,177 S * 6/2006 Ashiwa D28/82
D536,975 S * 2/2007 Smith D9/435
D624,414 S * 9/2010 Benoit-Gonin D9/449
D631,608 S * 1/2011 Pires D28/82
D774,697 S * 12/2016 Praster D28/82
D784,808 S * 4/2017 Berroa Garcia D9/434
9,867,447 B1 * 1/2018 Kim A45D 40/24
2016/0073761 A1 * 3/2016 Lee A45D 33/025
132/298
2017/0056905 A1 * 3/2017 Lee B05B 11/3001
2017/0280850 A1 * 10/2017 Lee A45D 33/003
2017/0347772 A1 * 12/2017 Kang A45D 34/00
2017/0347775 A1 * 12/2017 Lee A45D 42/02
2018/0037375 A1 * 2/2018 Lee A45D 40/22
2018/0078018 A1 * 3/2018 Lee B65D 83/00
2018/0116368 A1 * 5/2018 Kim A45D 34/00
2018/0184786 A1 * 7/2018 Lee A45D 40/00

* cited by examiner

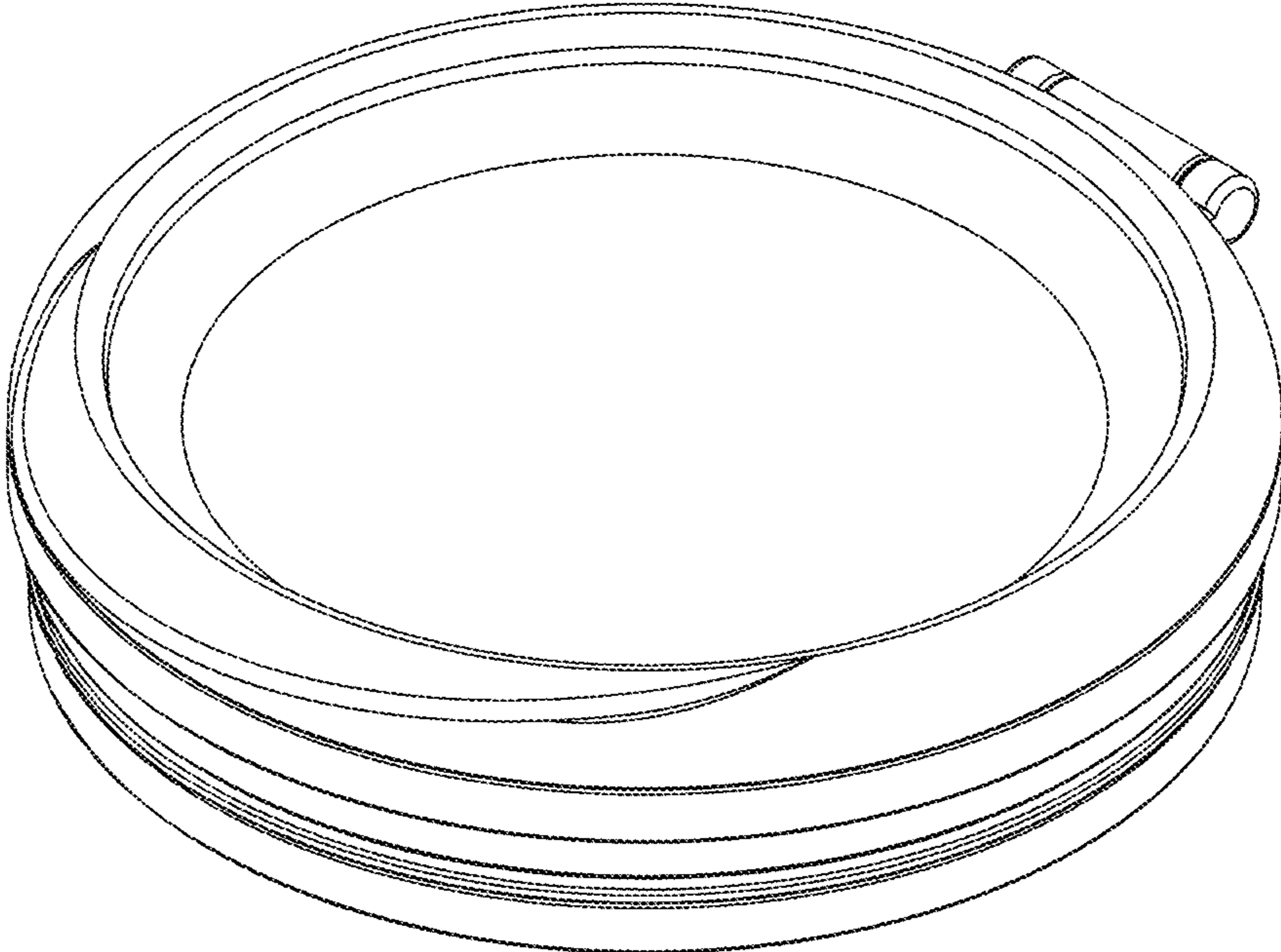


FIG. 1

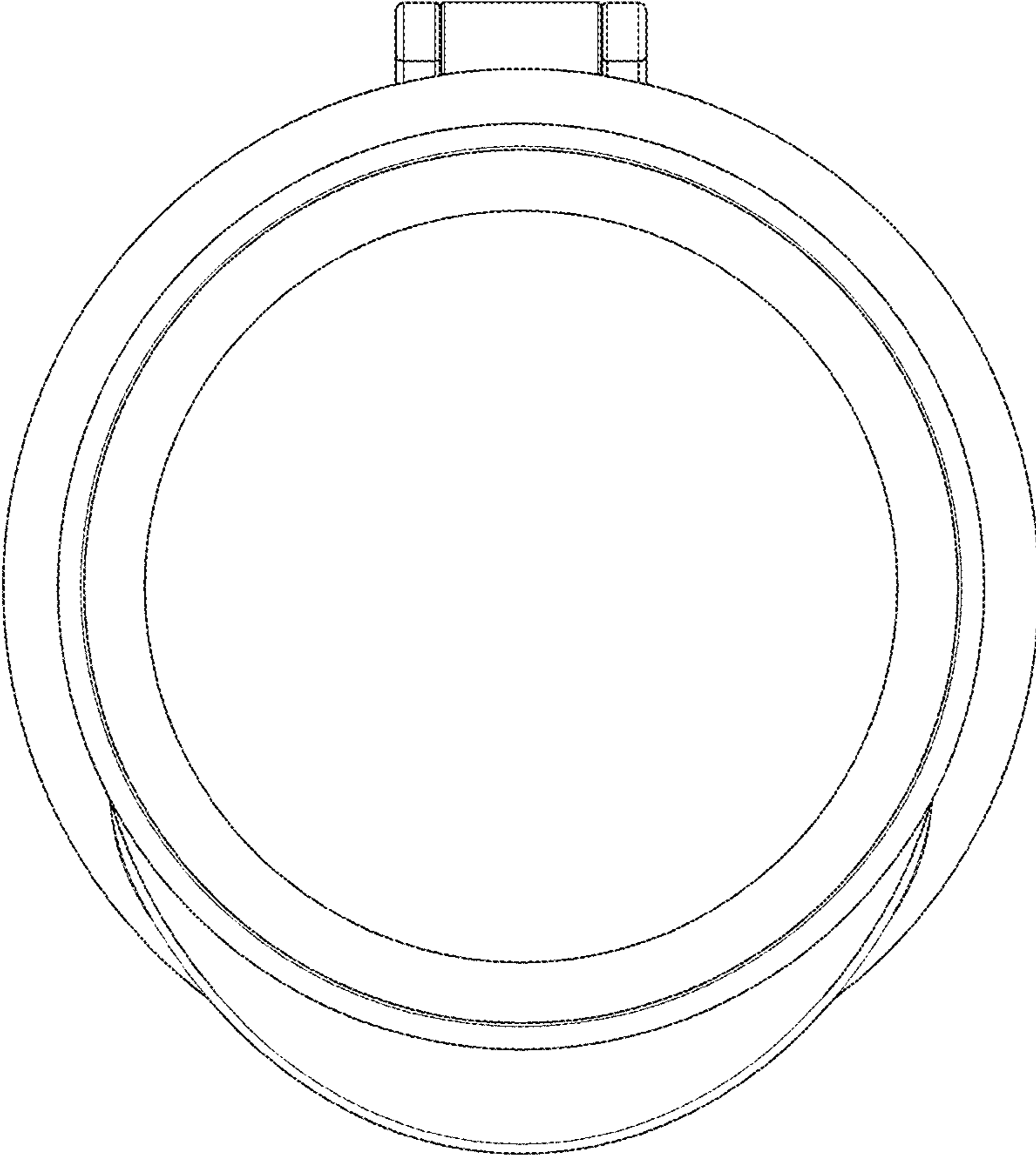


FIG. 2

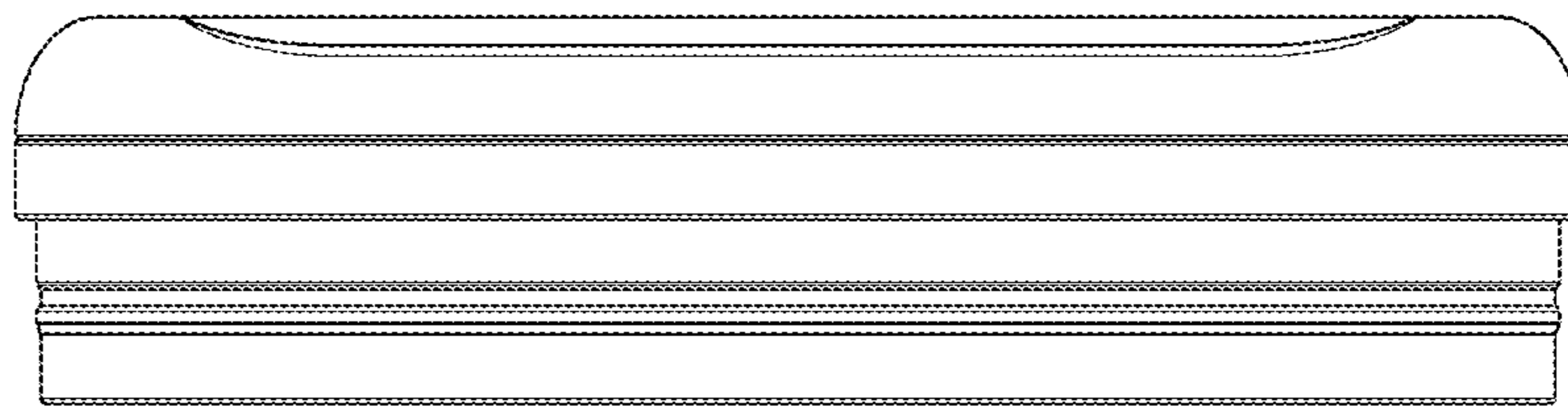


FIG. 3

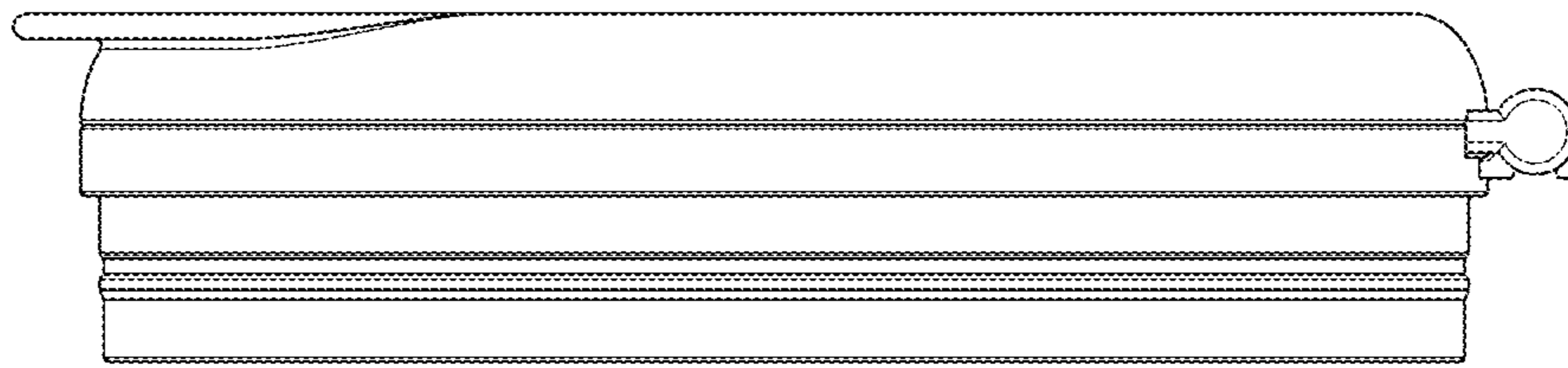


FIG. 4

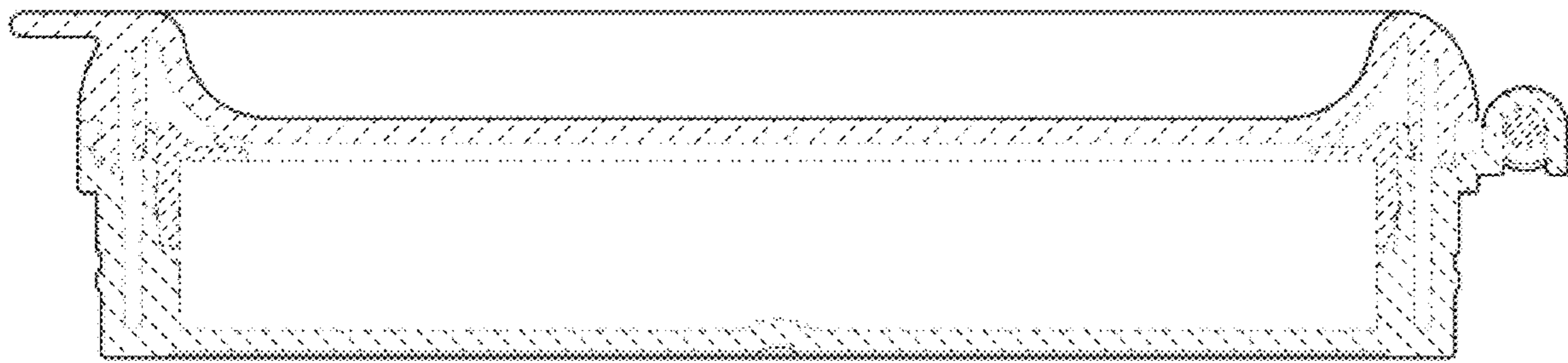


FIG. 5

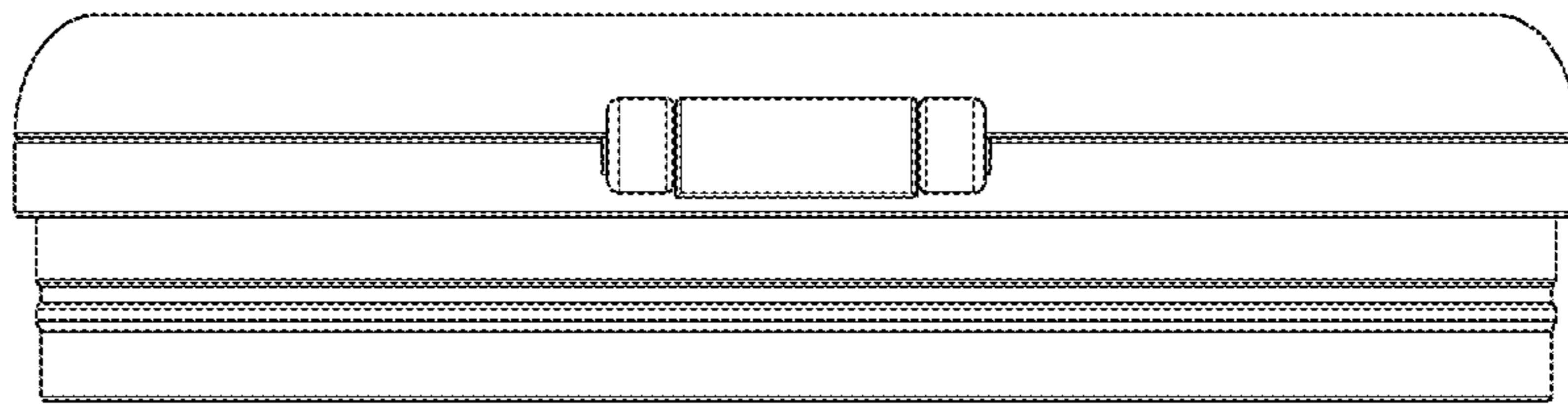


FIG. 6

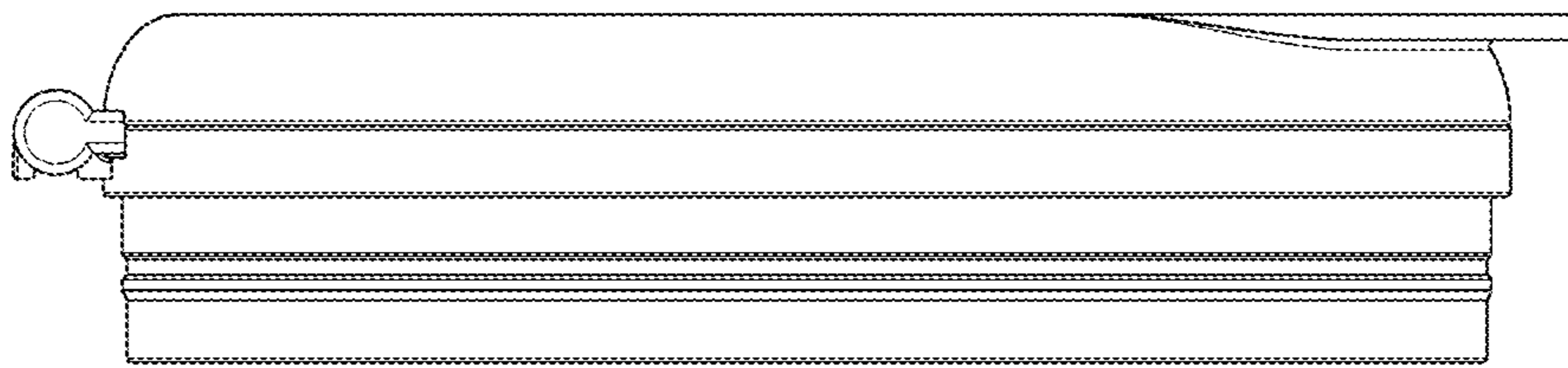


FIG. 7

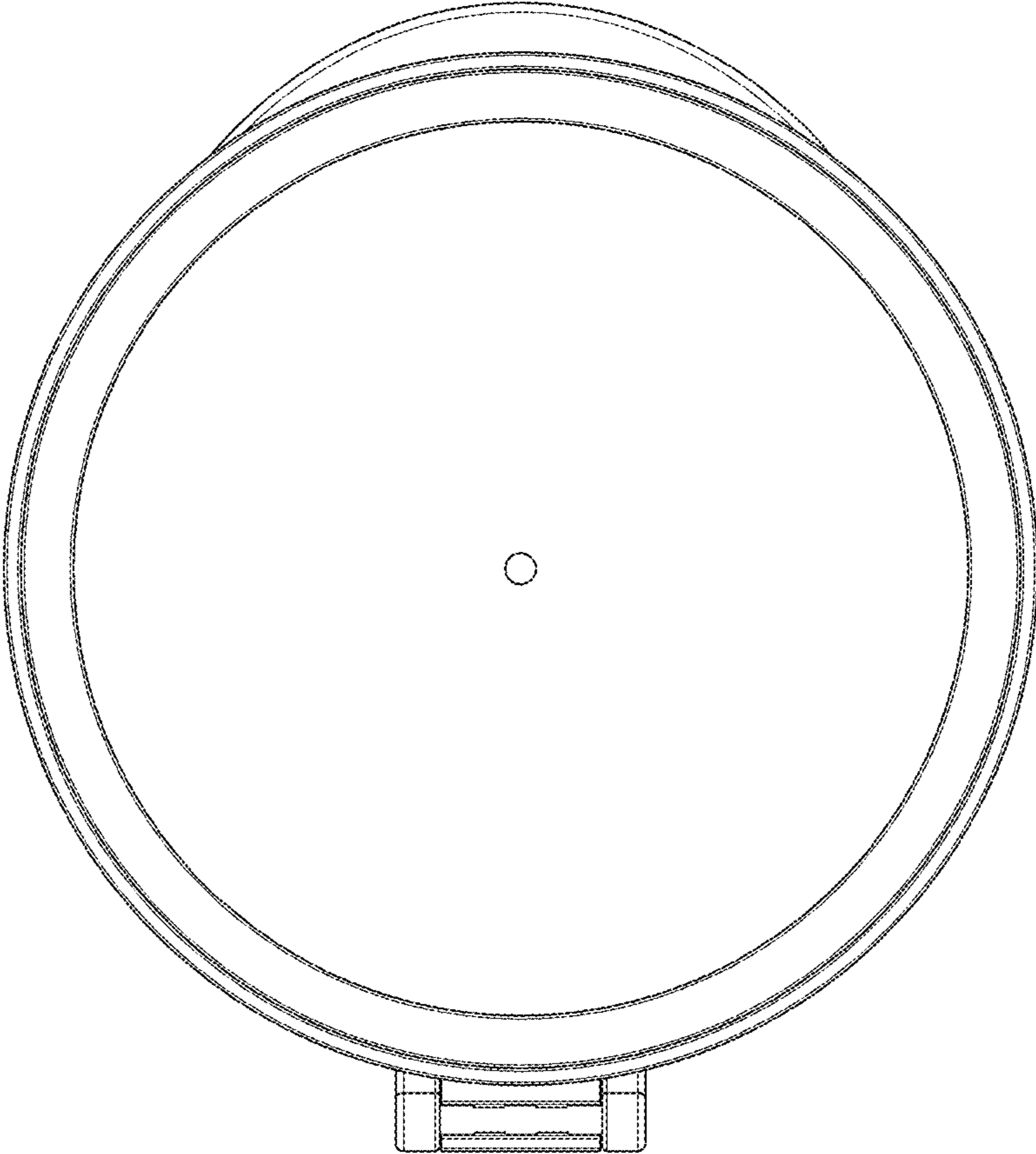


FIG. 8

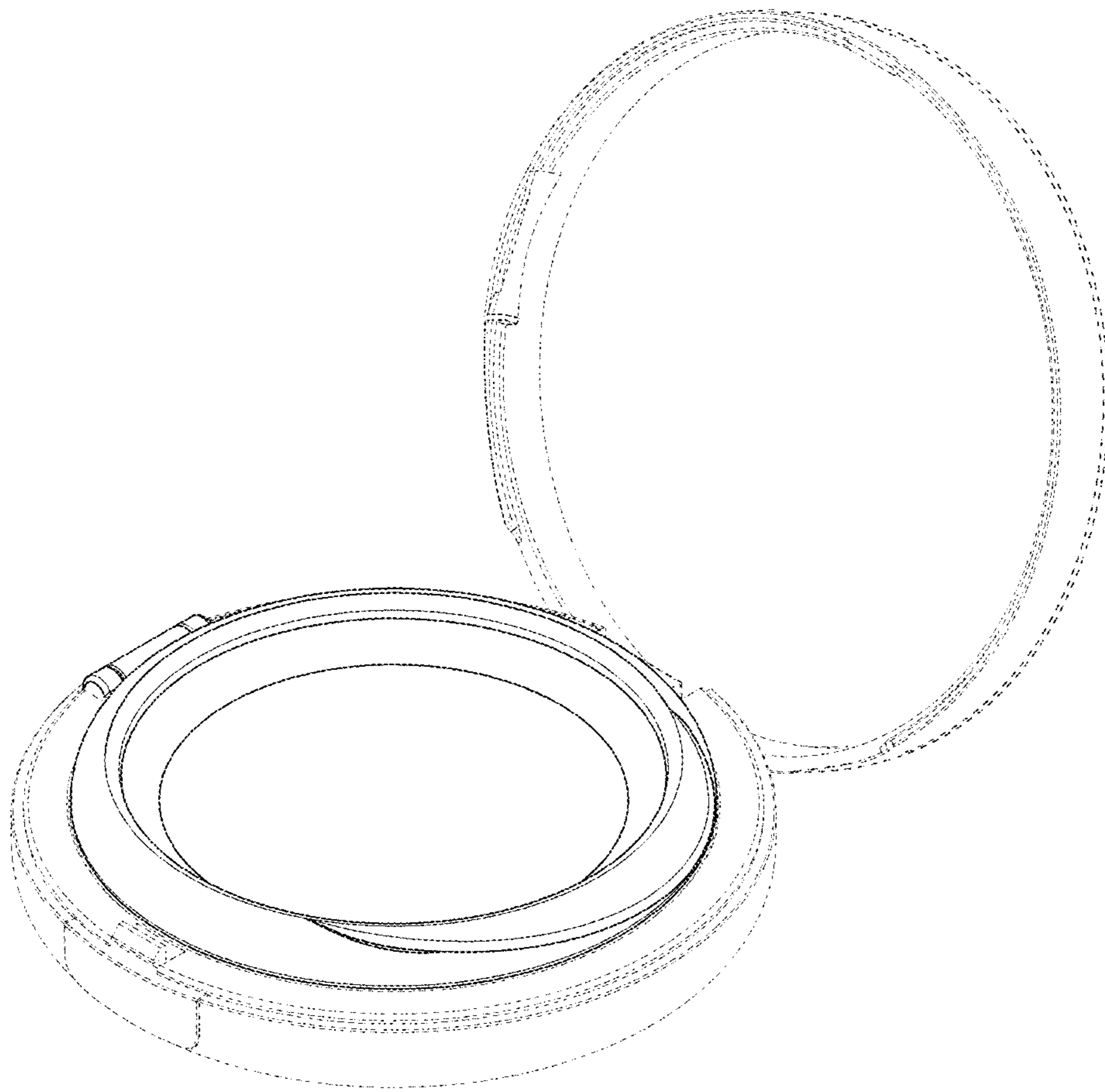


FIG. 9