

US00D869271S

(12) **United States Design Patent** (10) **Patent No.:** **US D869,271 S**  
**Troudt et al.** (45) **Date of Patent:** **\*\* Dec. 10, 2019**

(54) **CONTAINER**

(71) Applicant: **D6 Inc.**, Portland, OR (US)

(72) Inventors: **Martin Troudt**, Wood Village, OR (US); **Stephanie Lauren Thorne**, Oregon City, OR (US); **Ed Dominion**, Portland, OR (US)

(73) Assignee: **D6 Inc.**, Portland, OR (US)

(\*\*) Term: **15 Years**

(21) Appl. No.: **29/626,833**

(22) Filed: **Nov. 20, 2017**

(51) **LOC (12) Cl.** ..... **09-03**

(52) **U.S. Cl.**

USPC ..... **D9/425**

(58) **Field of Classification Search**

USPC ..... D7/400, 601, 608; D9/416, 417, 420, D9/425-429, 430, 432, 761; 206/499, 206/501, 502, 821; 220/625, 656, 669, 220/670, 674; 229/123.1, 123.2, 125.33, 229/125.35, 400-407, 915, 939

CPC . B65D 1/26; B65D 1/40; B65D 5/243; B65D 81/3453; B65D 2581/34; B65D 2581/3404; B65D 2581/3456

See application file for complete search history.

(56) **References Cited**

**U.S. PATENT DOCUMENTS**

D253,456 S	*	11/1979	Payne	.....	D9/426
D322,757 S	*	12/1991	Payne	.....	D9/425
D323,114 S	*	1/1992	Sheehan	.....	D9/420
D571,654 S	*	6/2008	Maroofian	.....	D9/420
D625,995 S	*	10/2010	Vovan	.....	D9/429
D640,130 S	*	6/2011	Golota	.....	D9/425

(Continued)

*Primary Examiner* — Derrick E Holland

*Assistant Examiner* — Janice Patyk

(74) *Attorney, Agent, or Firm* — Stoel Rives LLP

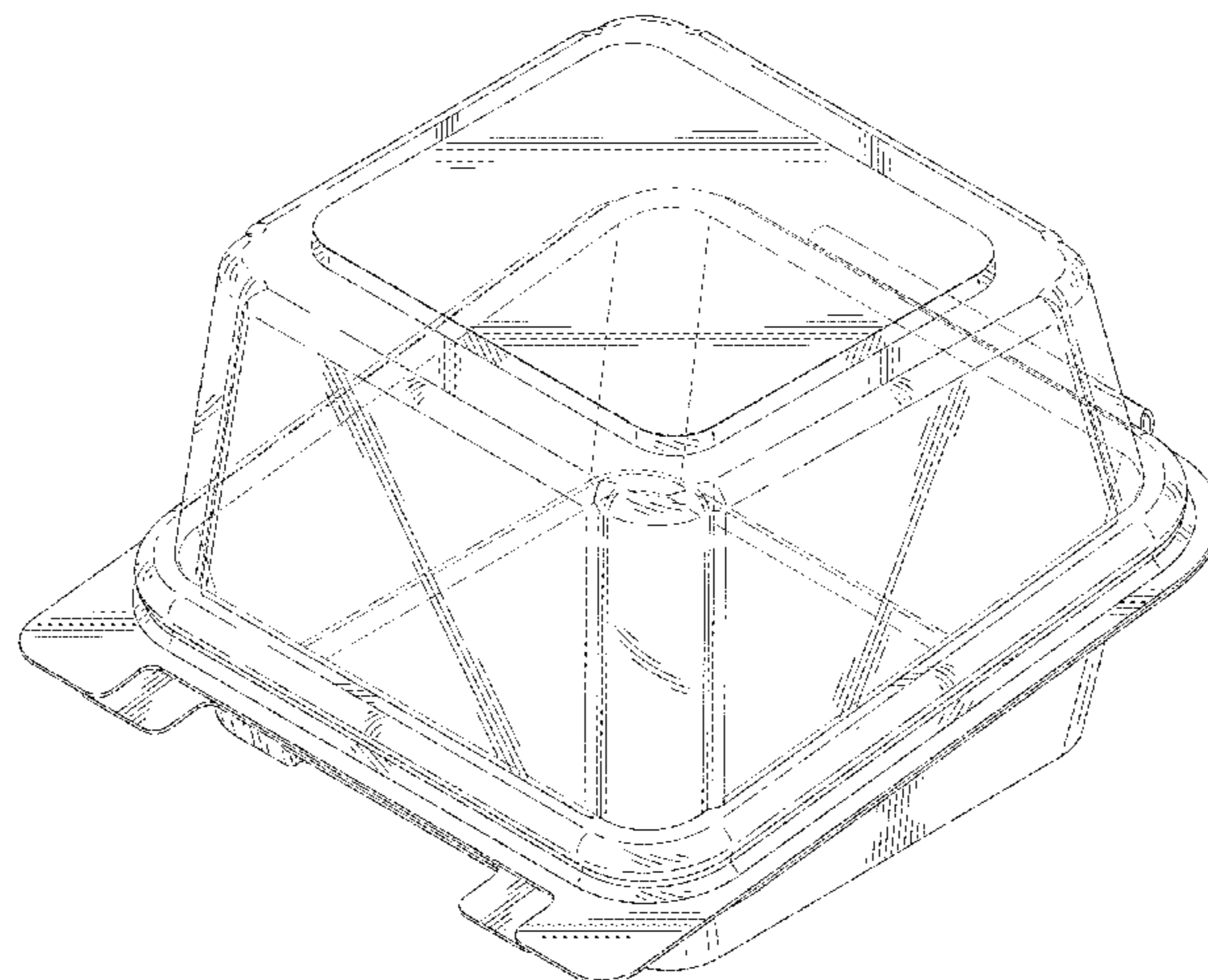
(57) **CLAIM**

The ornamental design for a container, as shown and described.

**DESCRIPTION**

FIG. 1 is a front, top isometric view of a container according to a first embodiment of our new design;  
 FIG. 2 is a front elevational view of the container of FIG. 1;  
 FIG. 3 is a rear elevational view of the container of FIG. 1;  
 FIG. 4 is a right side elevational view of the container of FIG. 1;  
 FIG. 5 is a left side elevational view of the container of FIG. 1;  
 FIG. 6 is a top plan view of the container of FIG. 1;  
 FIG. 7 is a bottom plan view of the container of FIG. 1;  
 FIG. 8 is a front, bottom isometric view of the container of FIG. 1;  
 FIG. 9 is a front, top isometric view of the container of FIG. 1 in an open position;  
 FIG. 10 is a front, top isometric view of a container according to another embodiment of our new design;  
 FIG. 11 is a front elevational view of the container of FIG. 10;  
 FIG. 12 is a rear elevational view of the container of FIG. 10;  
 FIG. 13 is a right side elevational view of the container of FIG. 10;  
 FIG. 14 is a left side elevational view of the container of FIG. 10;  
 FIG. 15 is a top plan view of the container of FIG. 10;  
 FIG. 16 is a bottom plan view of the container of FIG. 10;  
 FIG. 17 is a front, bottom isometric view of the container of FIG. 10; and,  
 FIG. 18 is a front, top isometric view of the container of FIG. 10 in an open position.

**1 Claim, 14 Drawing Sheets**



(56)

**References Cited**

U.S. PATENT DOCUMENTS

8,215,485 B2 \* 7/2012 Maroofian ..... B65D 75/24  
206/445  
D676,740 S \* 2/2013 Golota ..... D9/420

\* cited by examiner

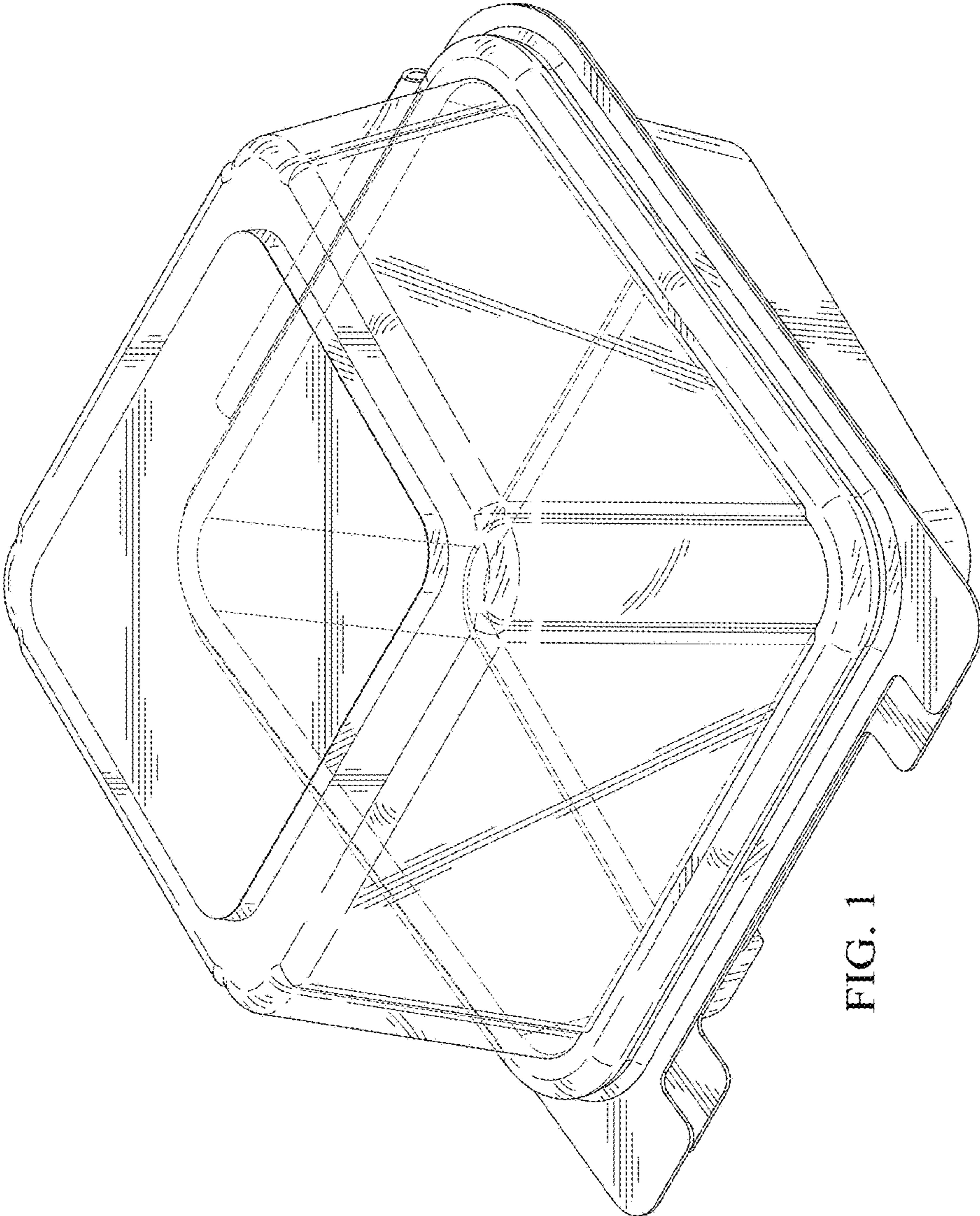


FIG. 1

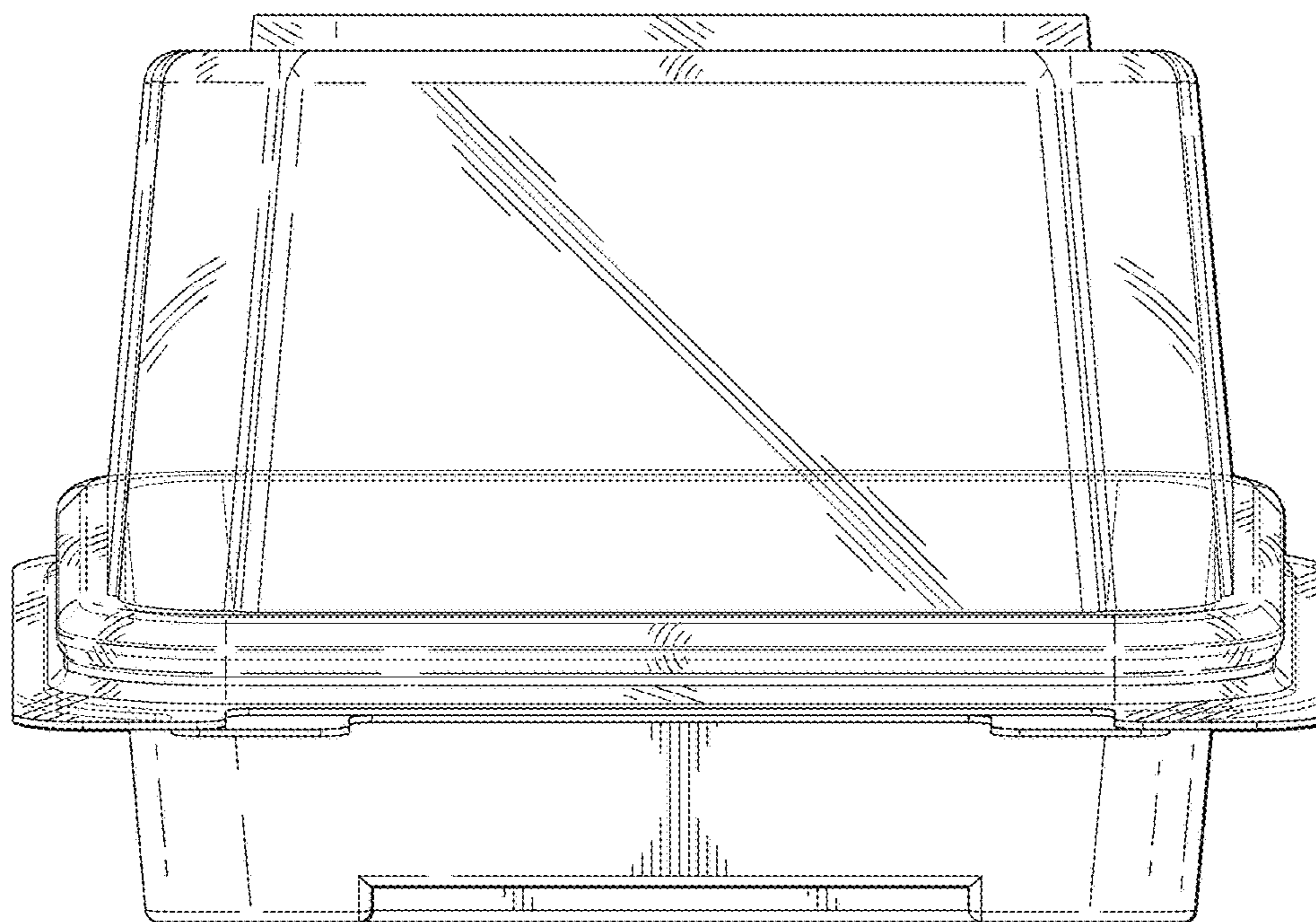


FIG. 2

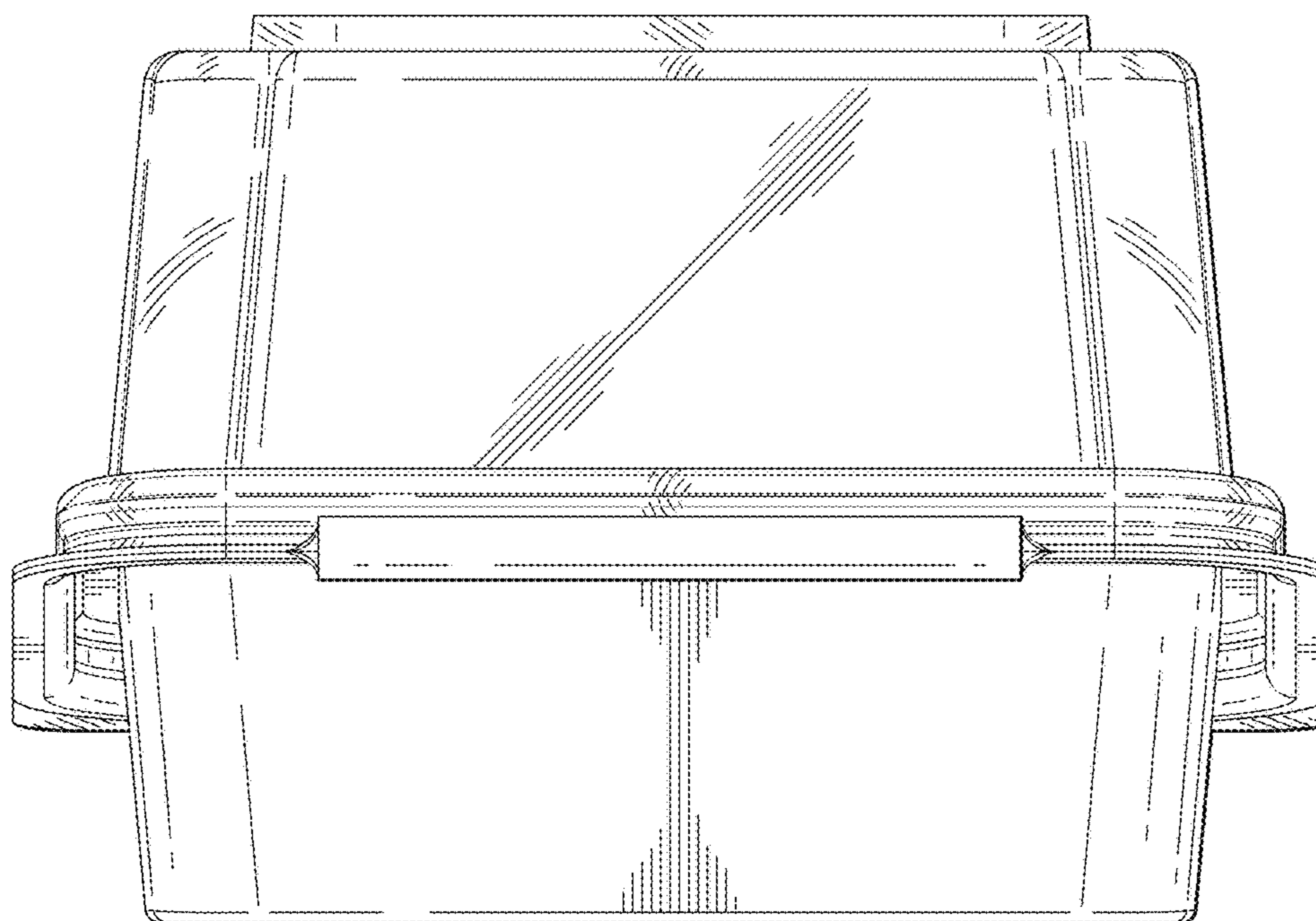


FIG. 3

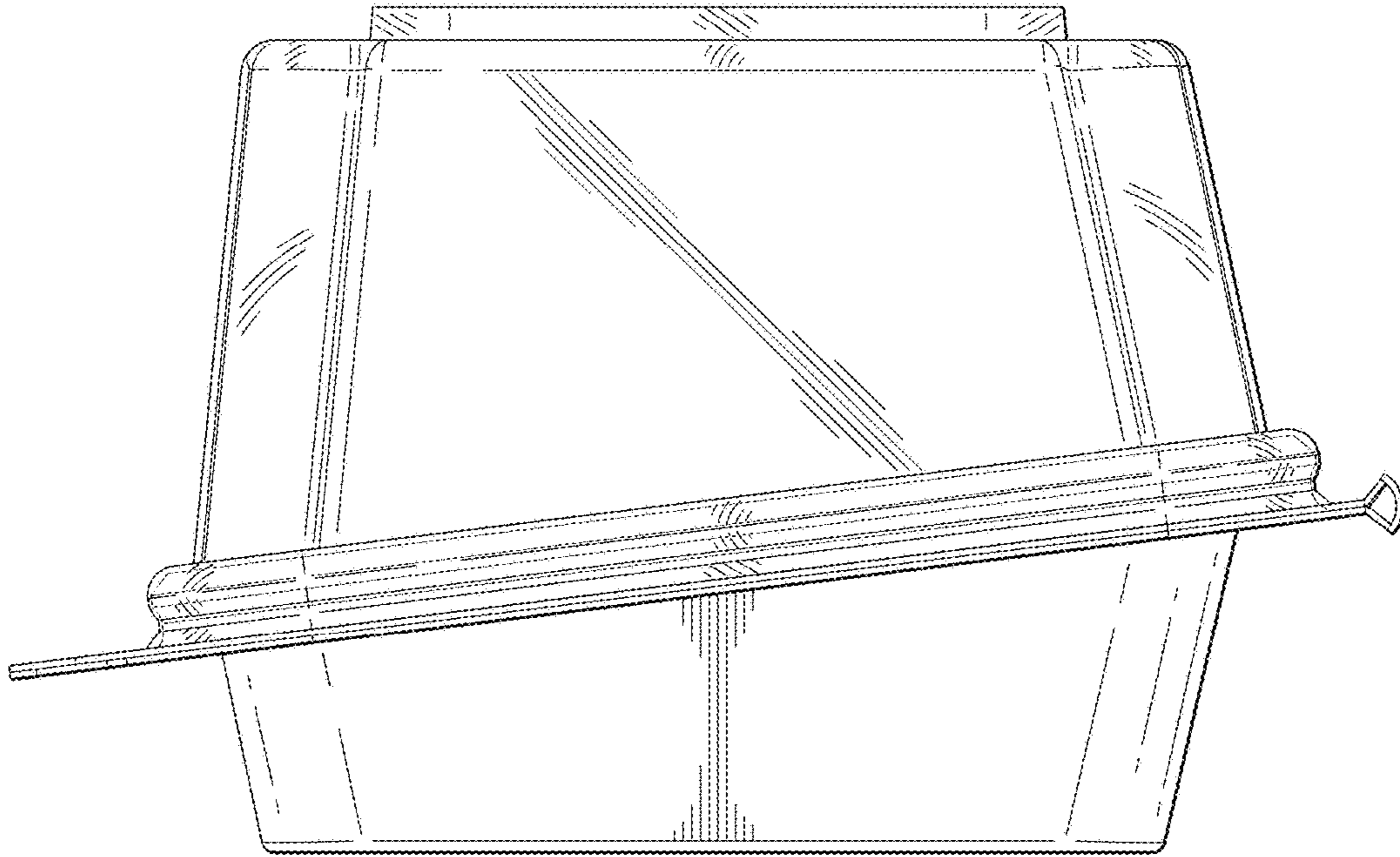


FIG. 4

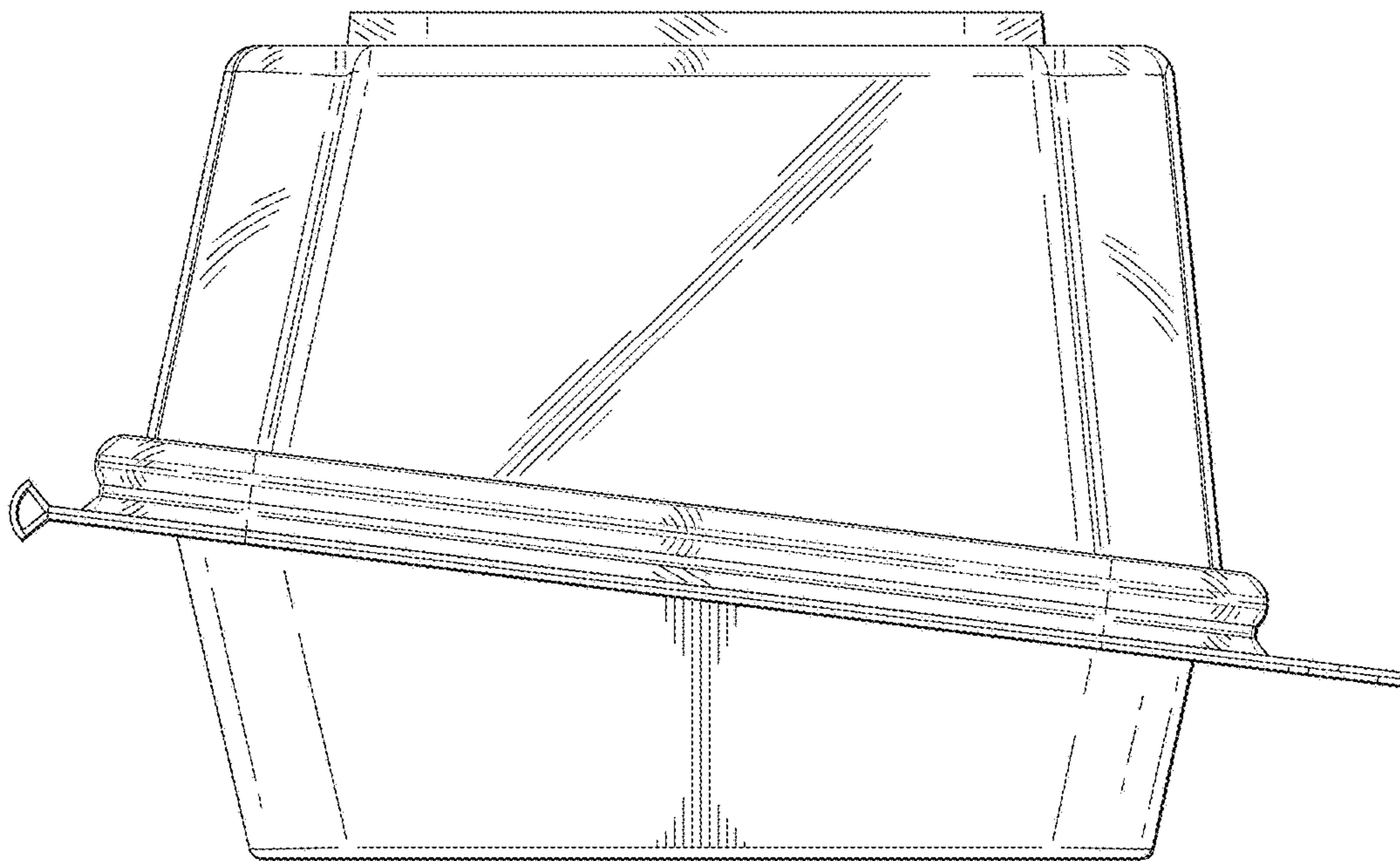


FIG. 5

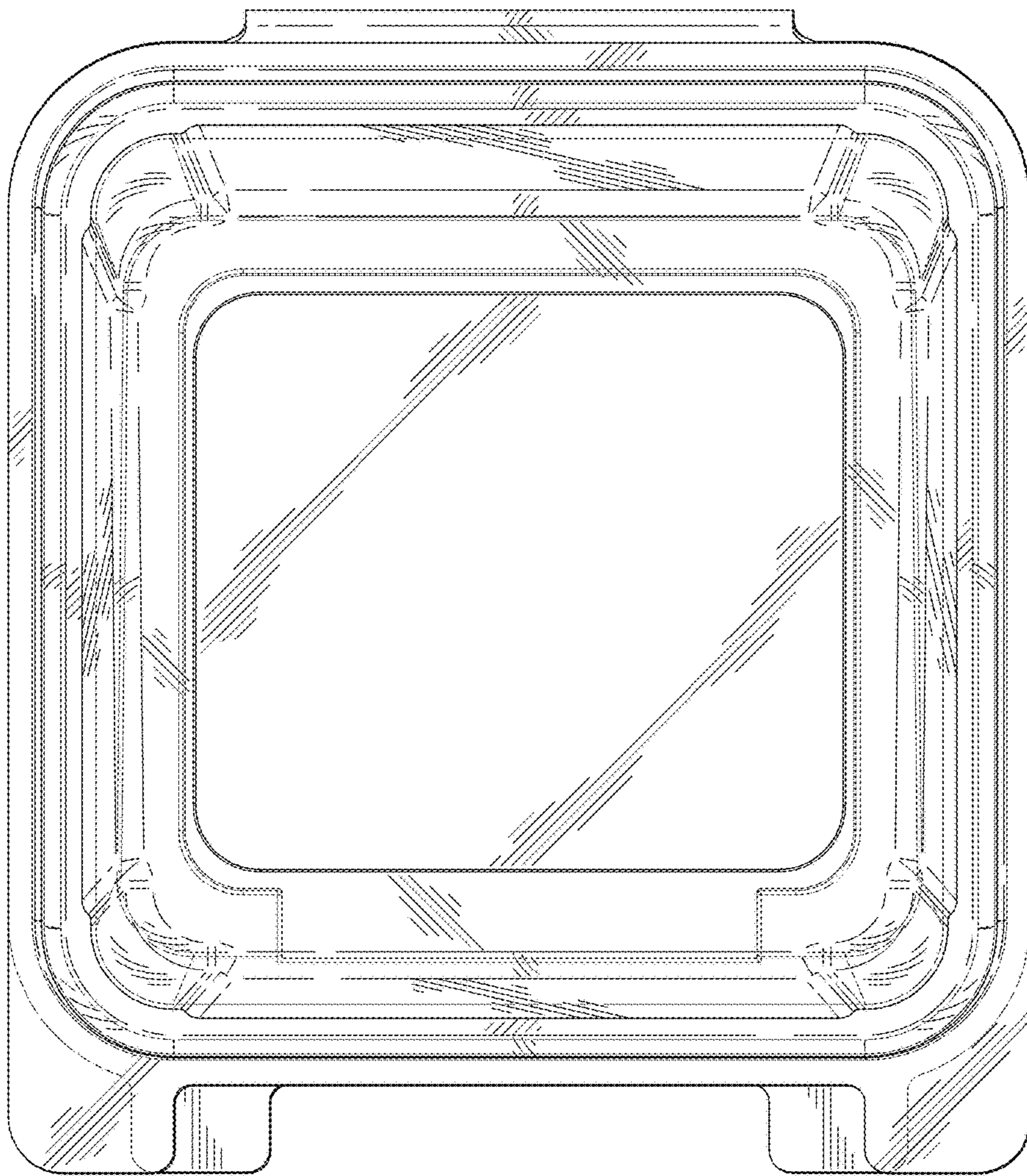


FIG. 6

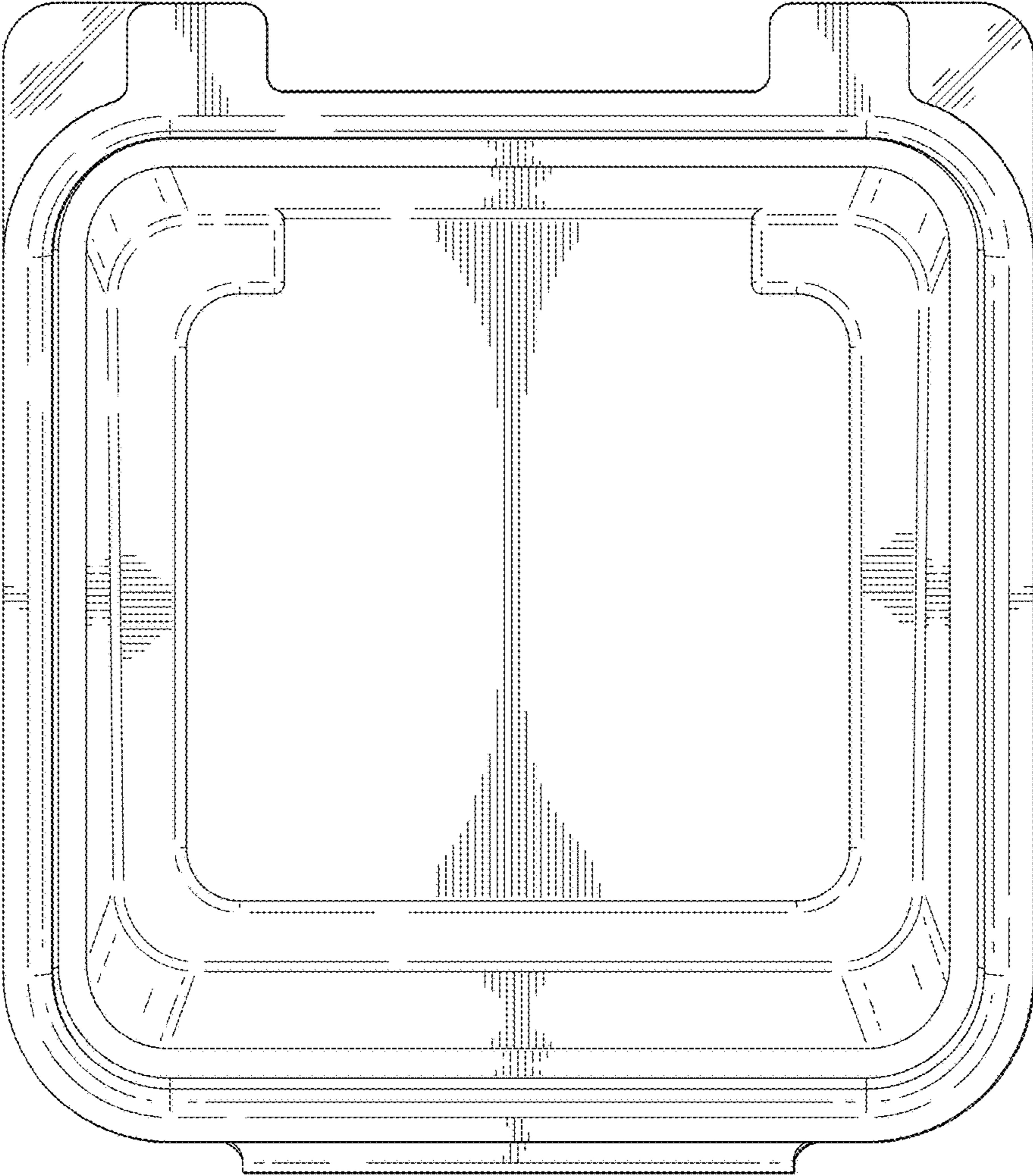


FIG. 7

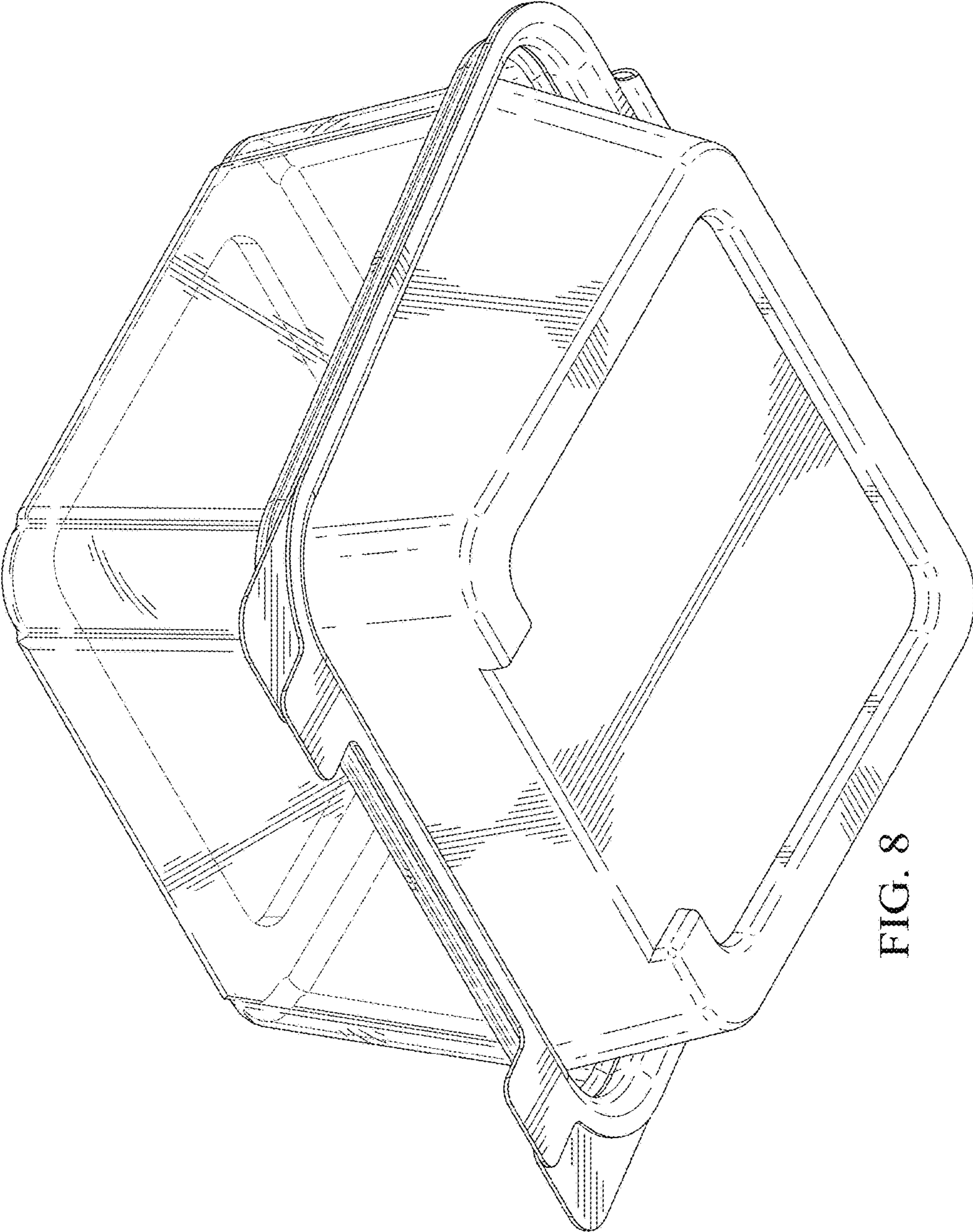


FIG. 8



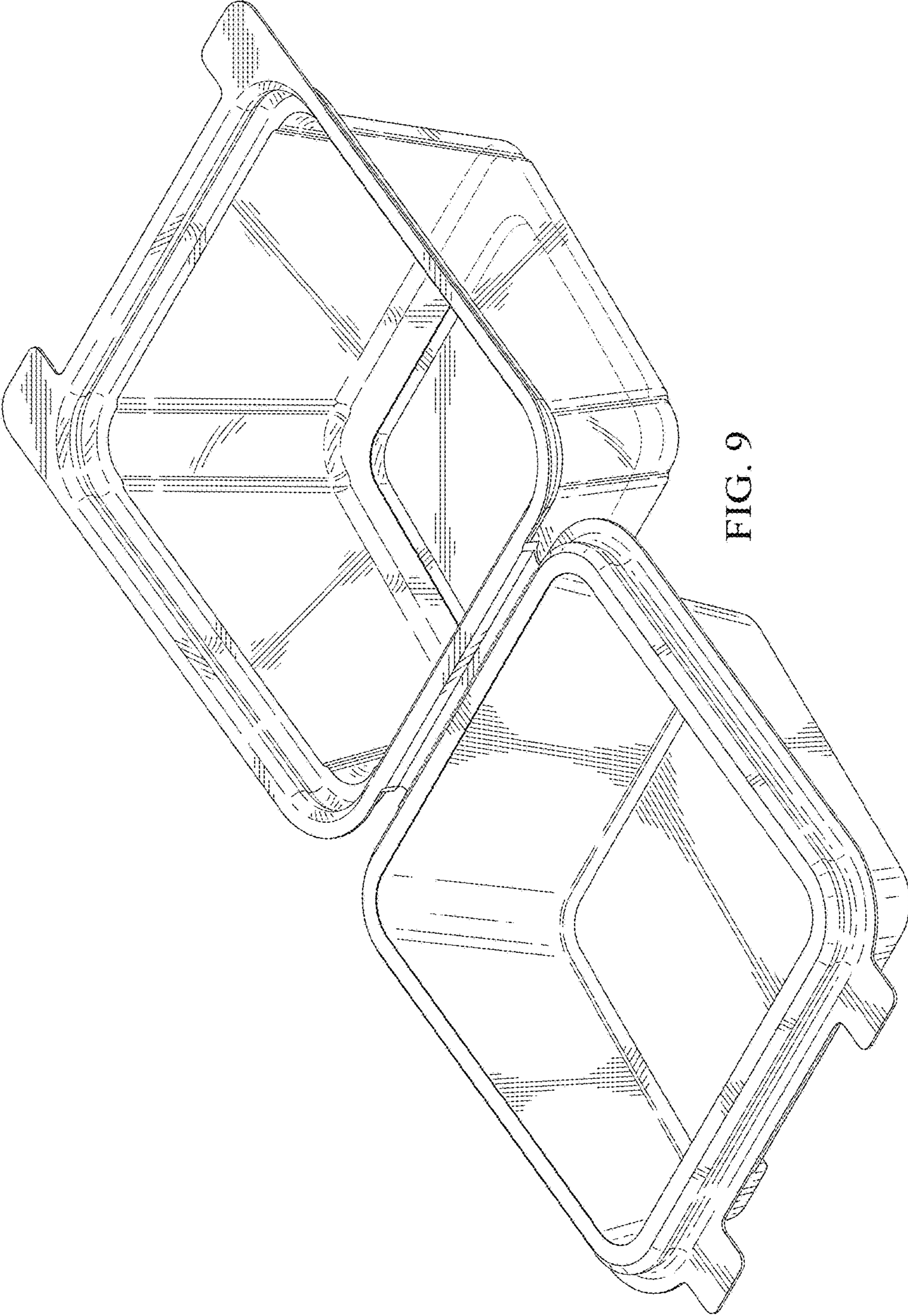


FIG. 9

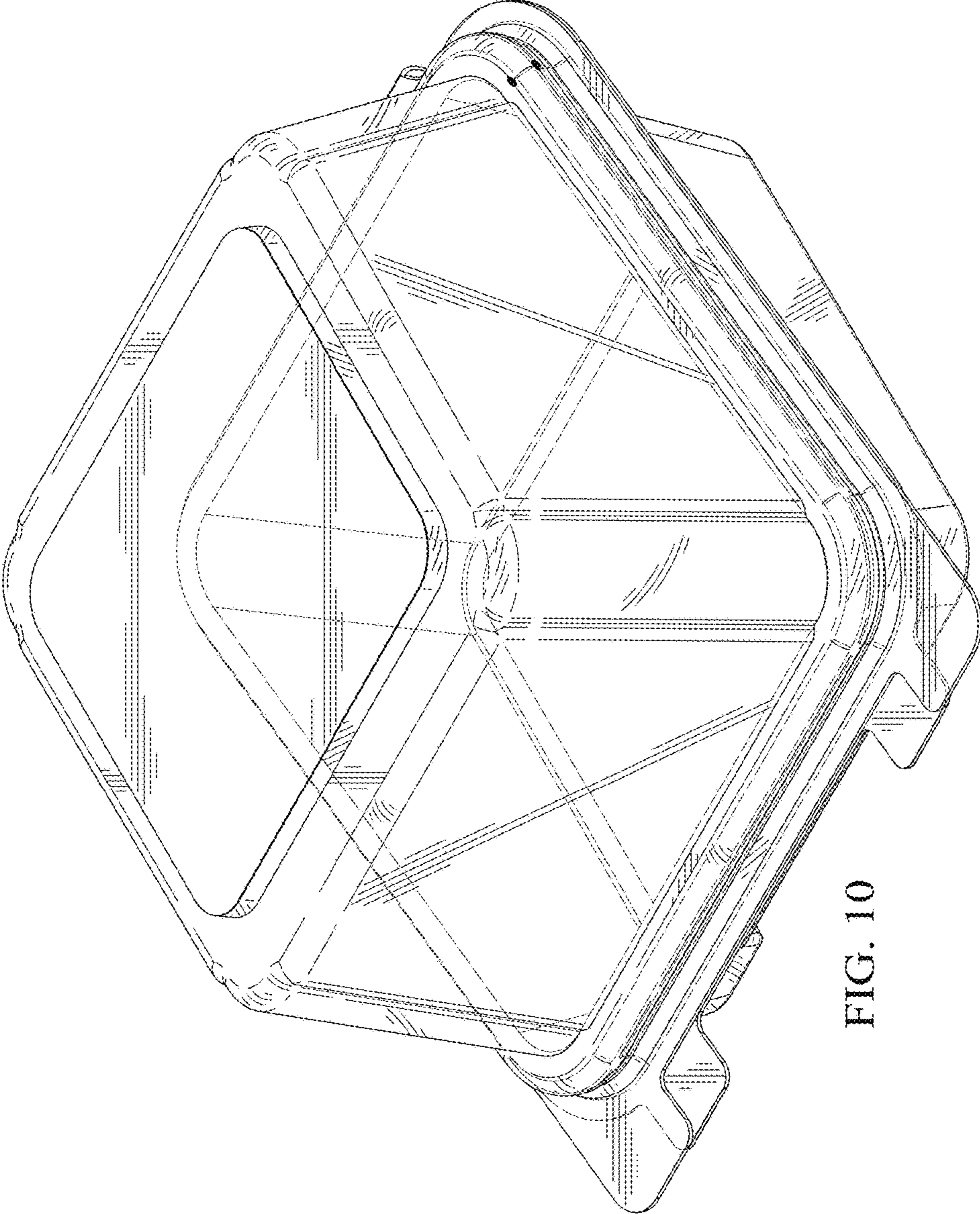


FIG. 10

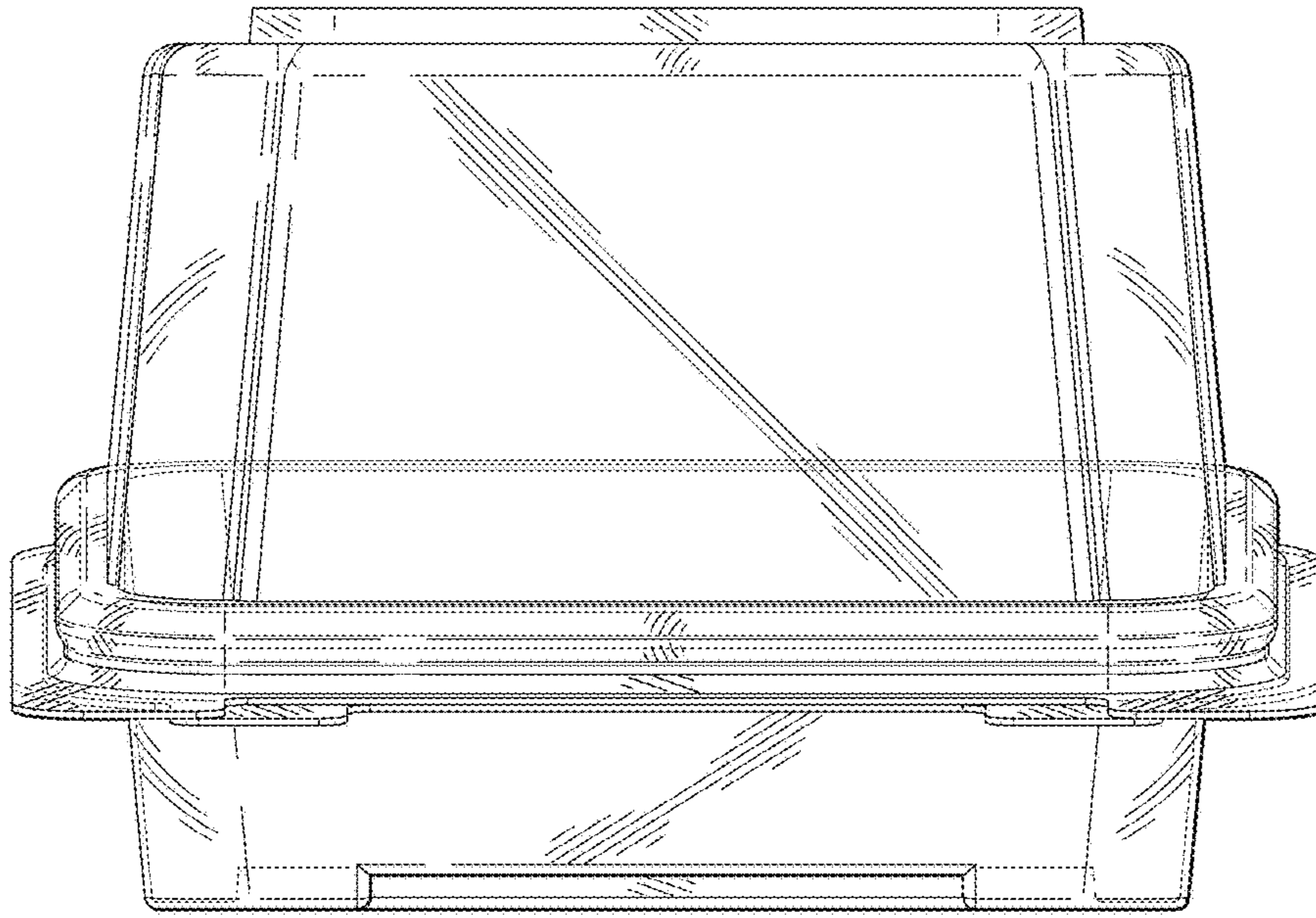


FIG. 11

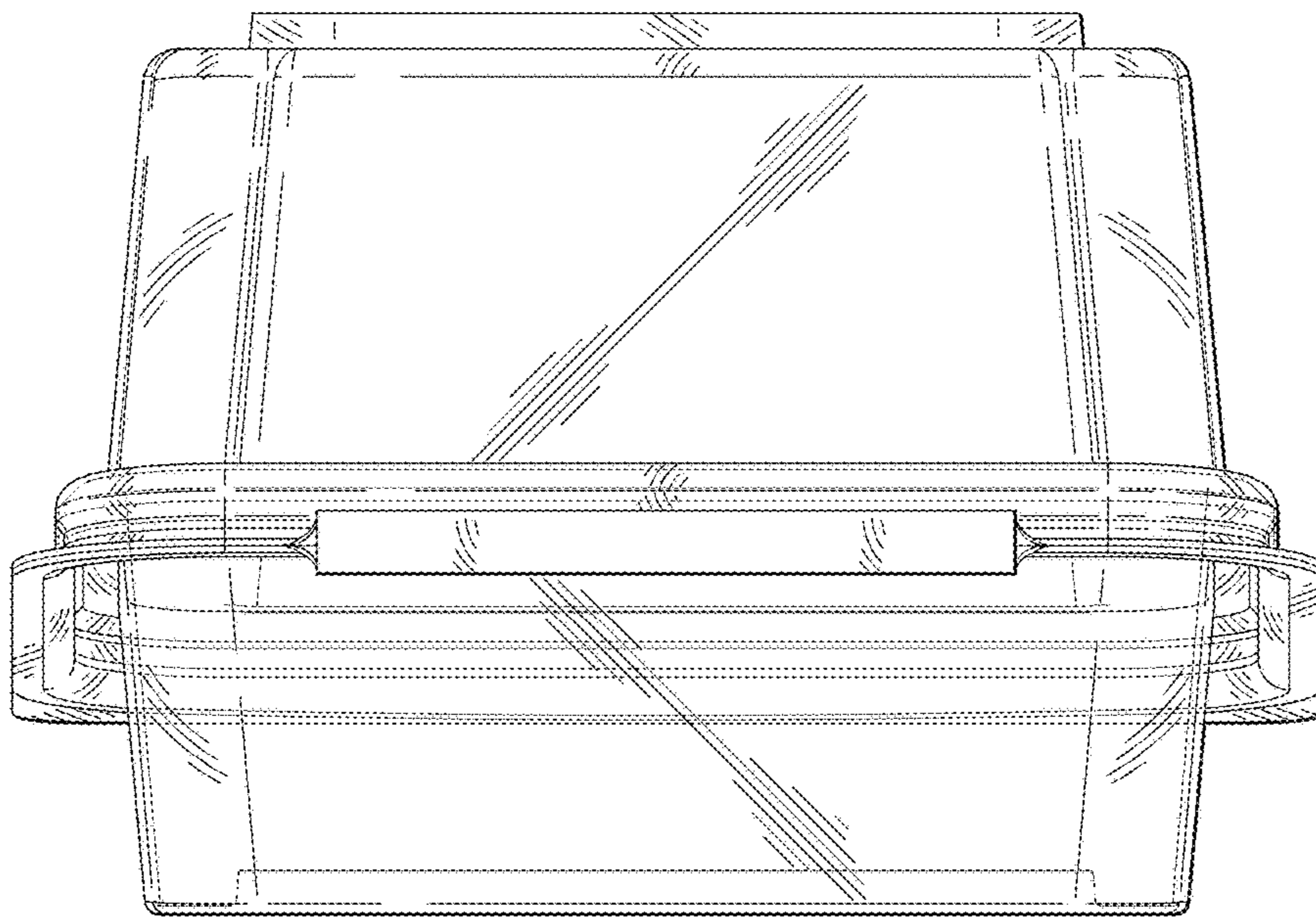


FIG. 12

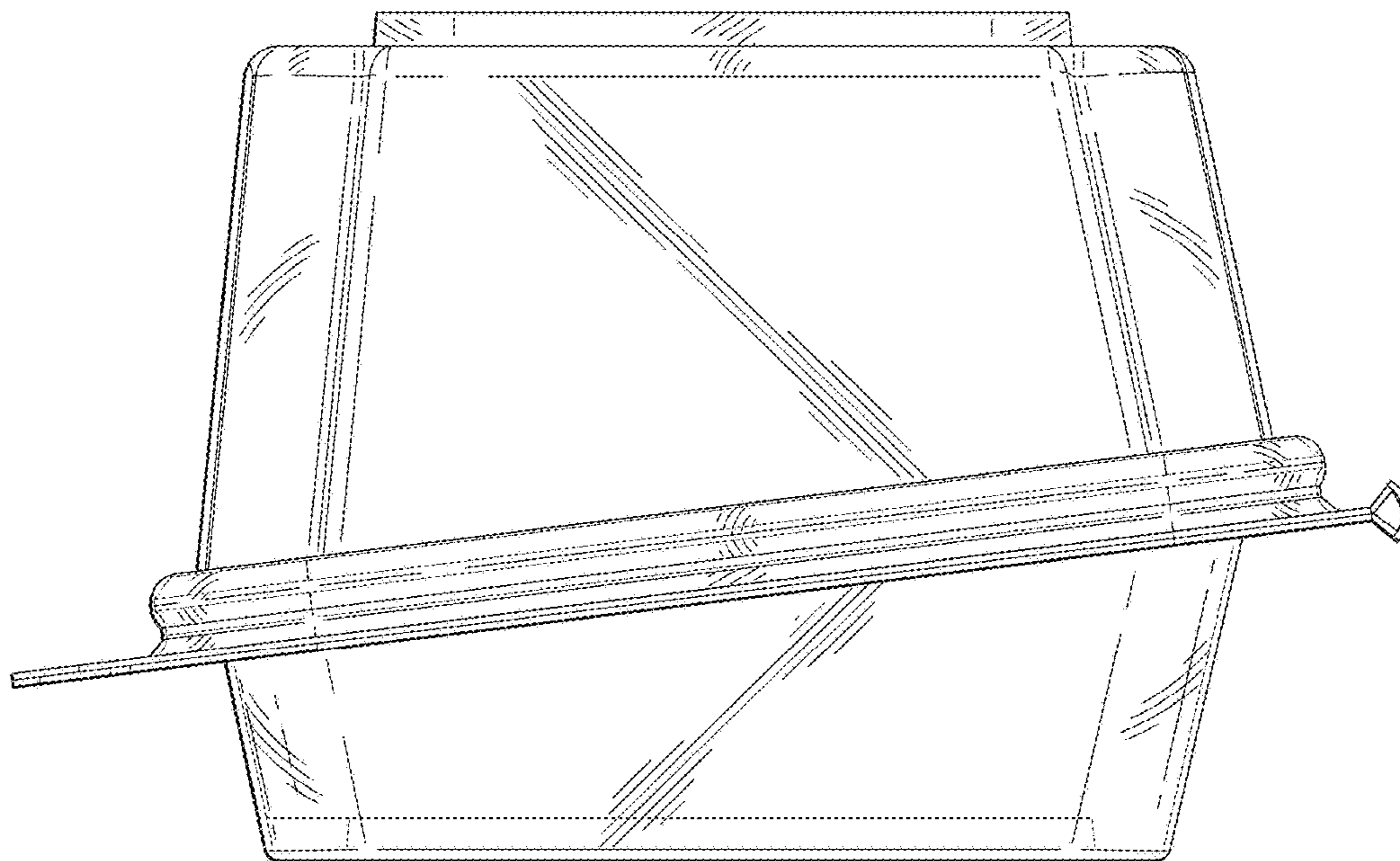


FIG. 13

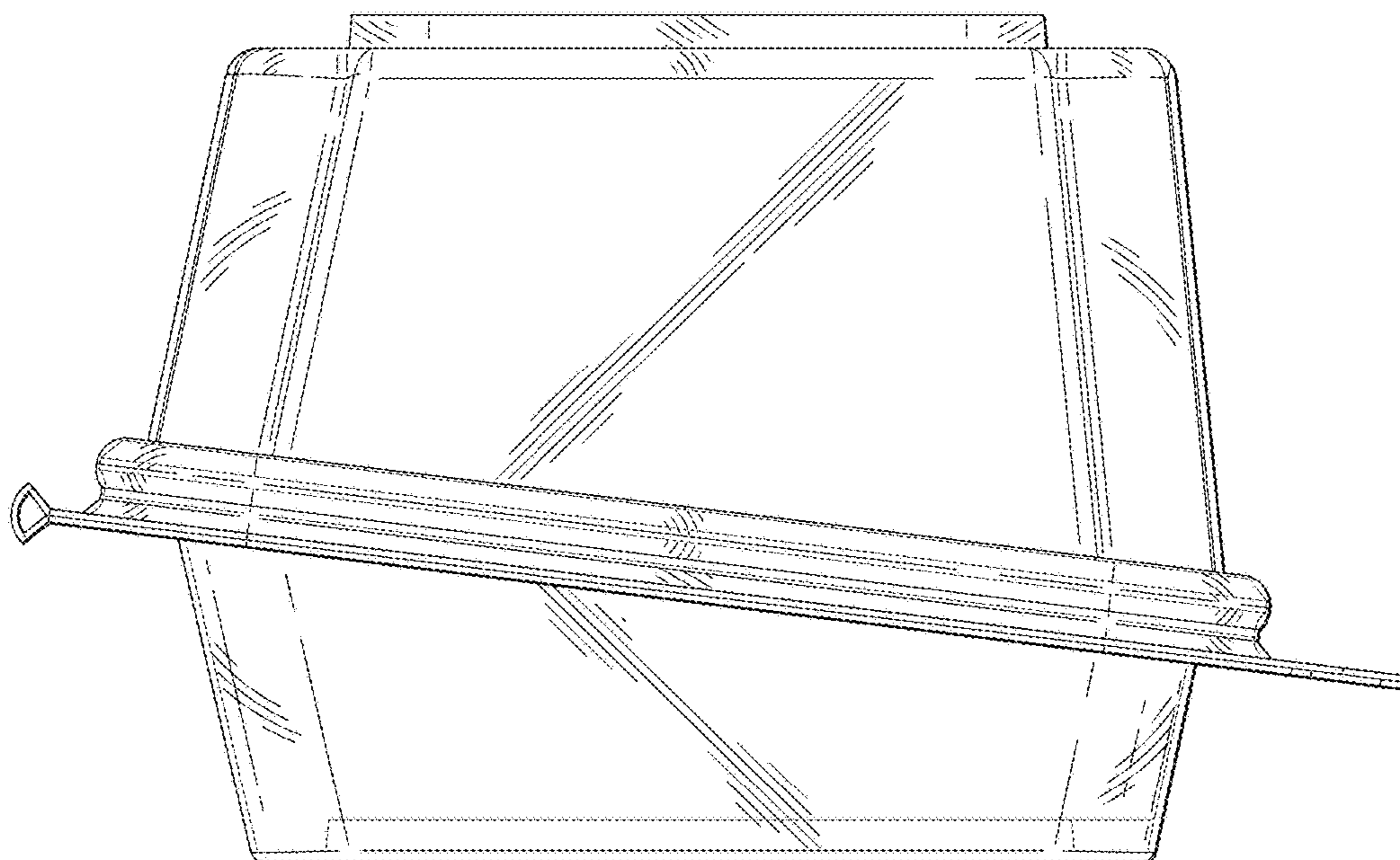


FIG. 14

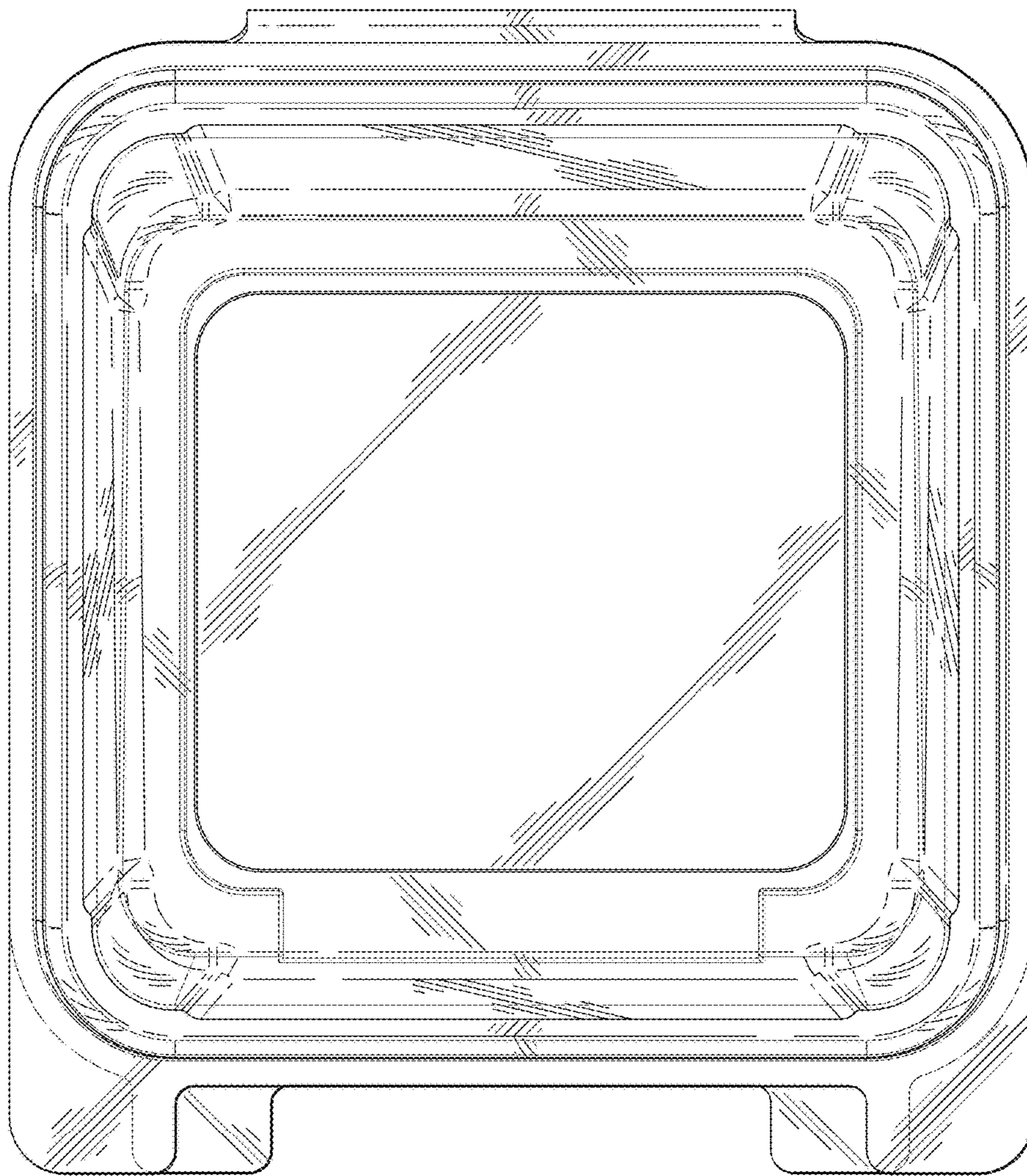


FIG. 15

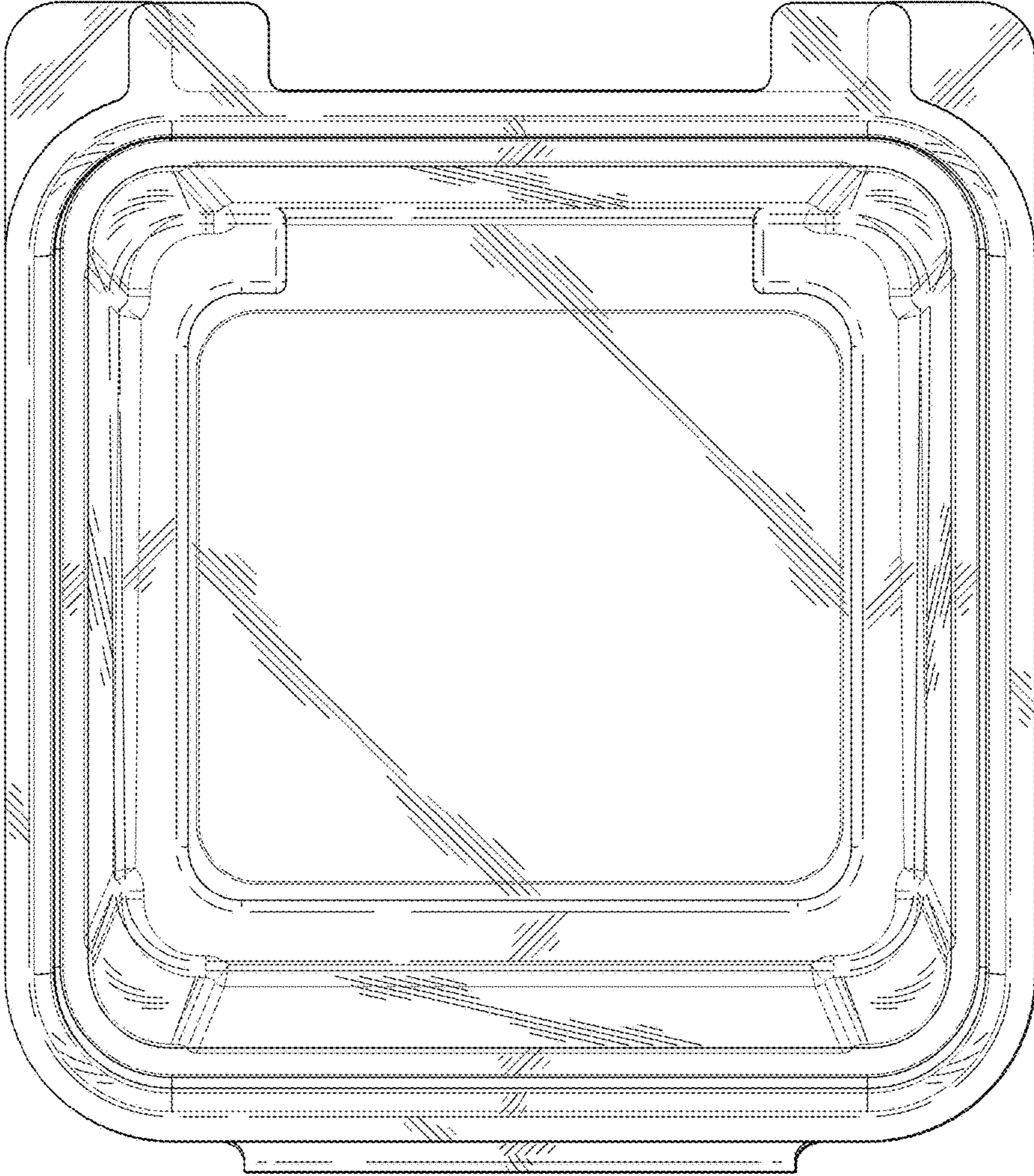


FIG. 16

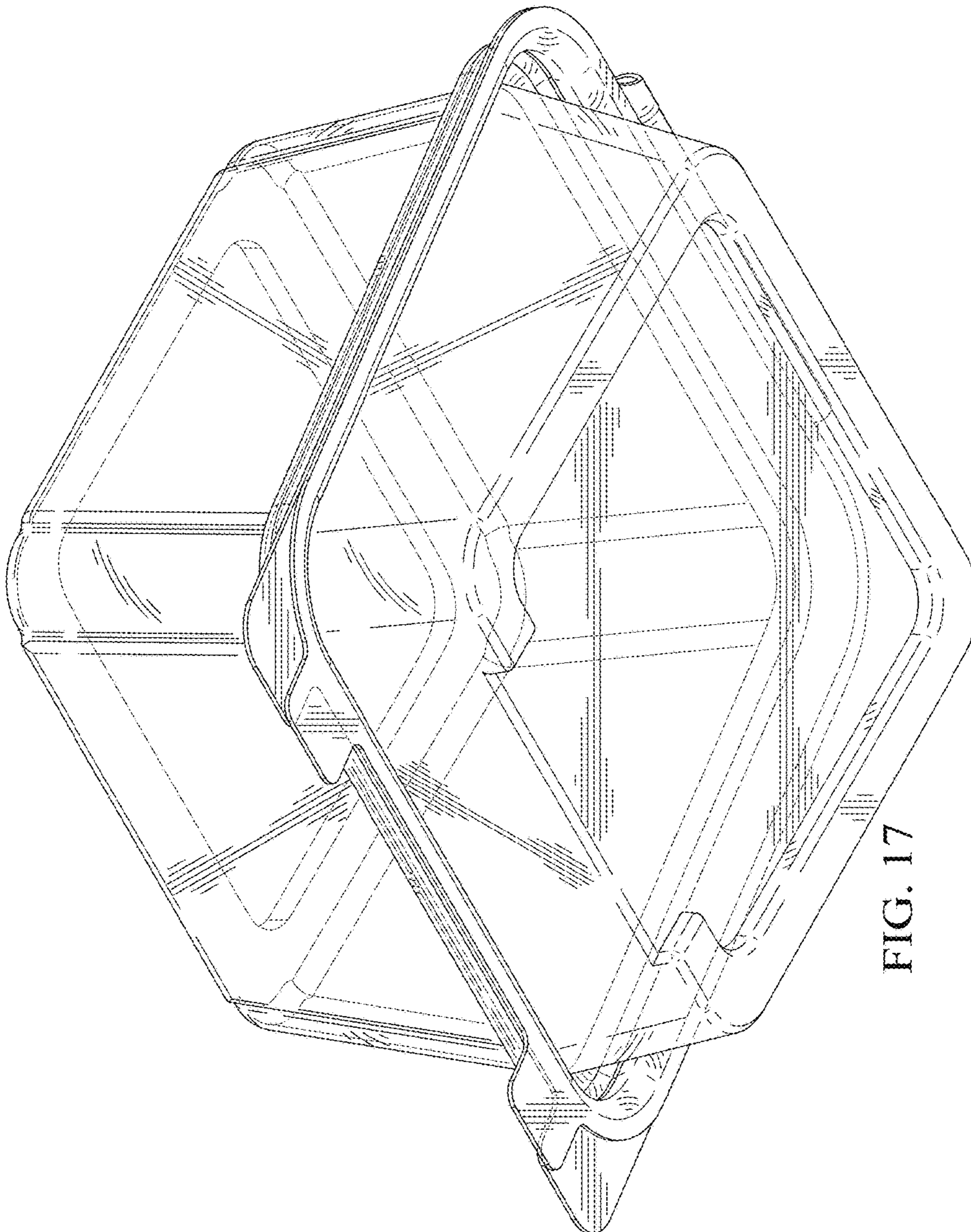


FIG. 17

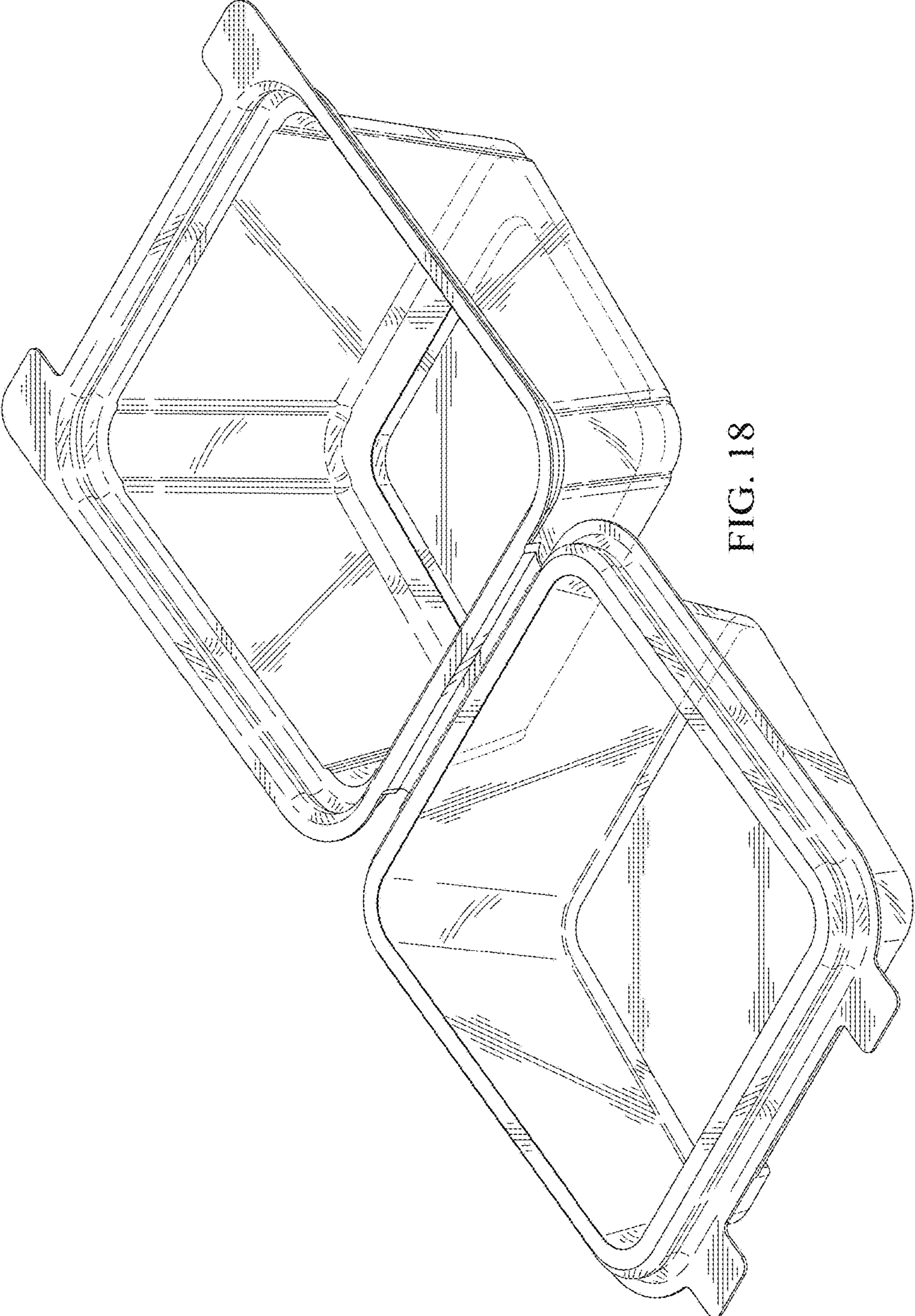


FIG. 18