



US00D869270S

(12) **United States Design Patent**  
**Nomura**

(10) **Patent No.:** **US D869,270 S**

(45) **Date of Patent:** **\*\* Dec. 10, 2019**

(54) **PACKAGING CONTAINER**

(71) Applicant: **Japan Tobacco Inc.**, Tokyo (JP)

(72) Inventor: **Ken Nomura**, Tokyo (JP)

(73) Assignee: **Japan Tobacco Inc.** (JP)

(\*\*) Term: **15 Years**

(21) Appl. No.: **29/665,654**

(22) Filed: **Oct. 5, 2018**

(30) **Foreign Application Priority Data**

Apr. 9, 2018 (JP) ..... 2018-007785

(51) **LOC (12) Cl.** ..... **09-03**

(52) **U.S. Cl.**  
USPC ..... **D9/423**

(58) **Field of Classification Search**  
USPC ..... D9/414, 418, 419, 420, 422, 423, 424,  
D9/425, 426, 432, 433; D27/186, 189  
CPC ..... B65D 85/10; B65D 85/12; B65D 85/00;  
B65D 5/42; A24F 15/00; A24F 15/12;  
B31B 1/26; A65D 5/66  
See application file for complete search history.

(56) **References Cited**

**U.S. PATENT DOCUMENTS**

- D296,938 S \* 7/1988 Ameringen ..... D27/189
- 5,129,513 A \* 7/1992 David ..... B65D 5/662  
206/146
- 5,823,331 A \* 10/1998 Manservigi ..... B65D 85/1045  
206/268
- 6,199,688 B1 \* 3/2001 Focke ..... B65D 5/422  
206/265
- D441,496 S \* 5/2001 Focke ..... D27/189
- 6,334,532 B1 \* 1/2002 Tambo ..... B65D 85/1045  
206/268
- D454,410 S \* 3/2002 Draghetti ..... D27/189

- D472,013 S \* 3/2003 Conti ..... D27/189
- 6,527,166 B1 \* 3/2003 Focke ..... B65D 85/1045
- 6,719,131 B1 \* 4/2004 Focke ..... B65D 5/6691  
206/268
- D578,385 S \* 10/2008 Ancona ..... D9/423
- D591,898 S \* 5/2009 McKenzie ..... D27/187
- D602,351 S \* 10/2009 Toinet ..... D9/423
- D616,146 S \* 5/2010 Holford ..... D27/189
- D634,892 S \* 3/2011 Hein ..... D27/189
- D662,411 S \* 6/2012 Tearle ..... D27/189
- D668,142 S \* 10/2012 Turner ..... D9/423
- D675,918 S \* 2/2013 Holford ..... D9/423
- 8,567,598 B2 \* 10/2013 Gibson ..... B65D 5/6691  
206/268

(Continued)

**FOREIGN PATENT DOCUMENTS**

- JP D1473650 7/2013
- JP D1458377 12/2015

(Continued)

*Primary Examiner* — Lauren R Calve  
(74) *Attorney, Agent, or Firm* — Lerner, David,  
Littenberg, Krumholz & Mentlik, LLP

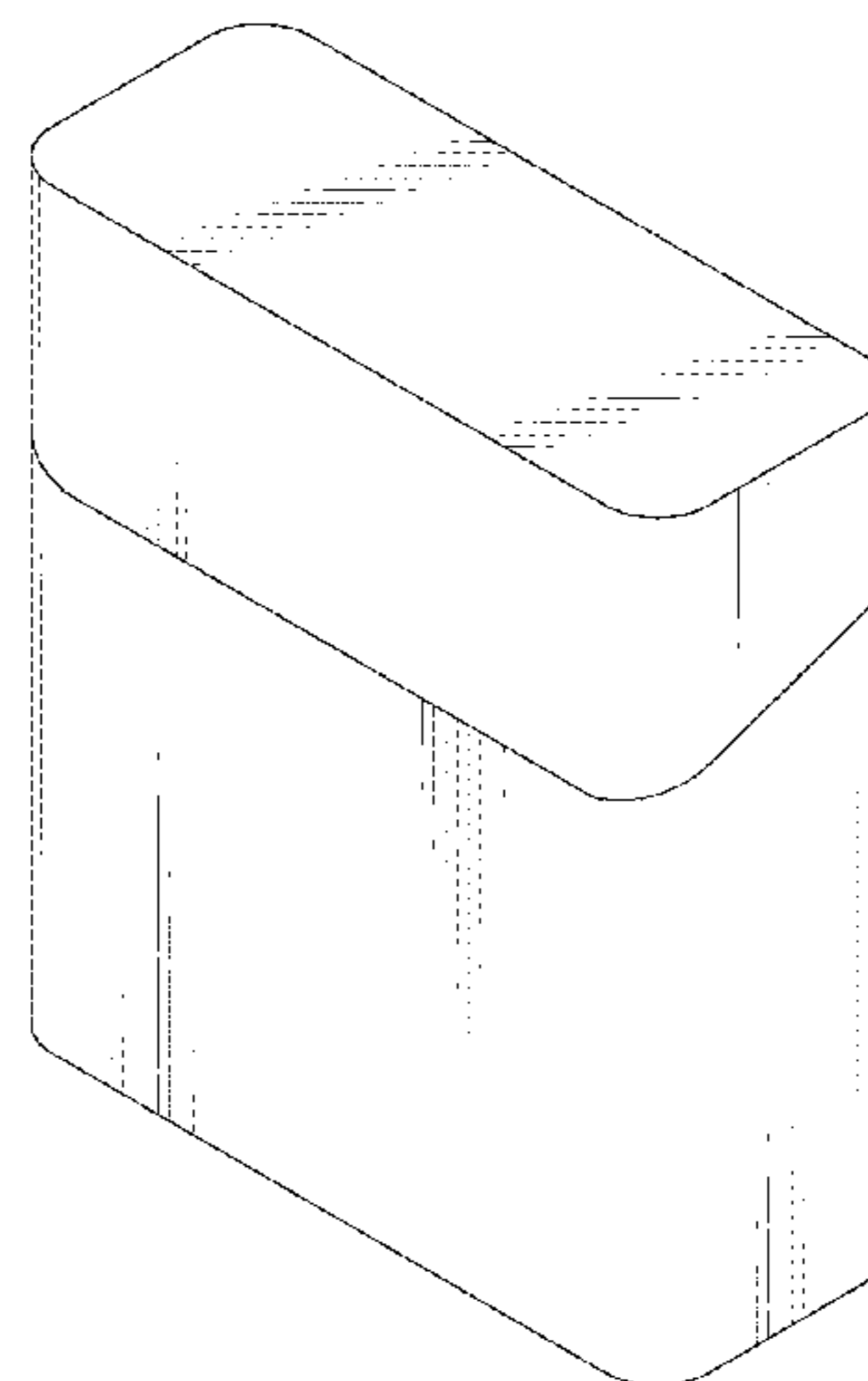
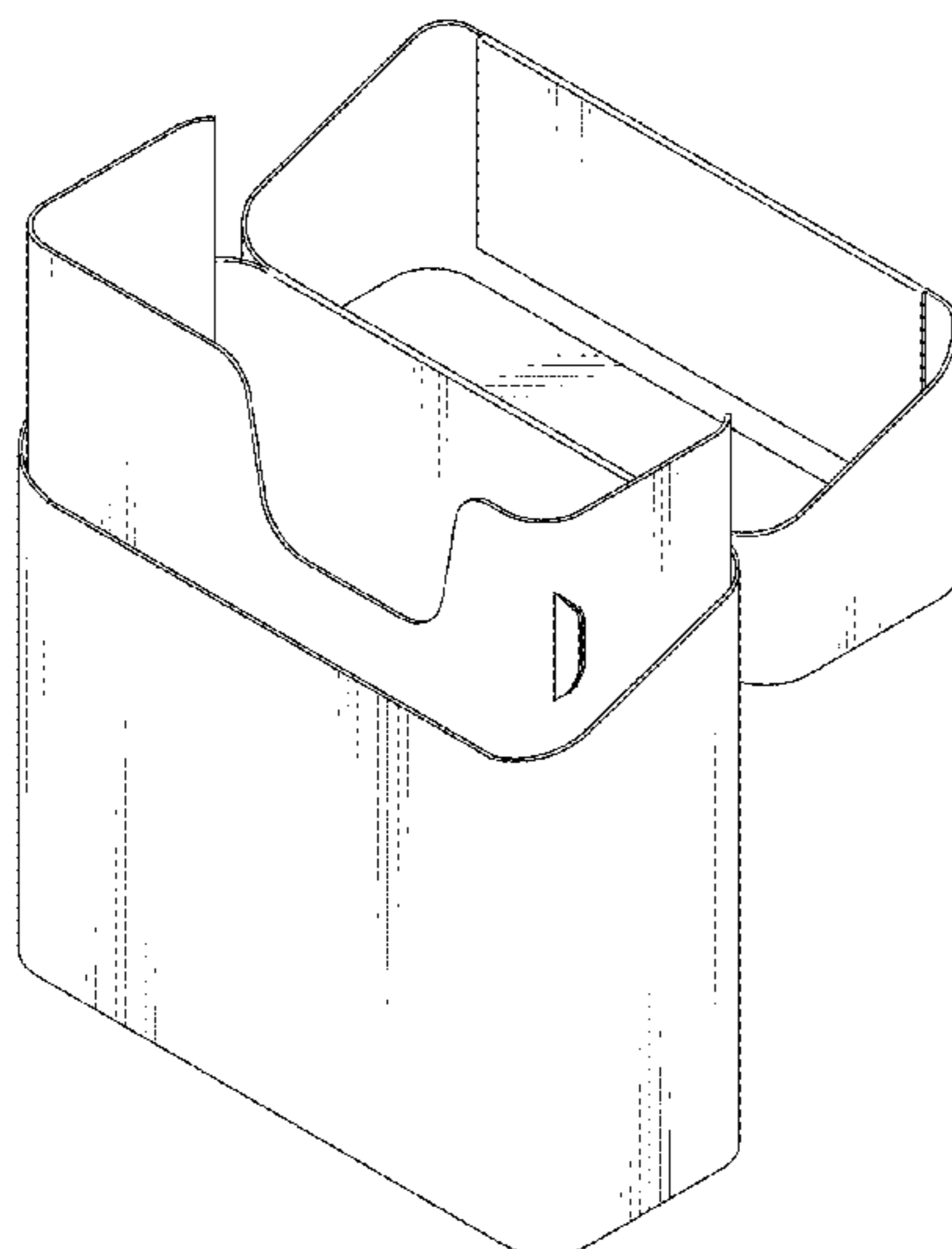
(57) **CLAIM**

The ornamental design for a packaging container, as shown and described.

**DESCRIPTION**

FIG. 1 is a perspective view of a packaging container.  
FIG. 2 is a front elevation view thereof.  
FIG. 3 is a rear elevation view thereof.  
FIG. 4 is a right side elevation view thereof. The left side view is omitted because the left side view is mirror image of the right side view.  
FIG. 5 is a top elevation view thereof.  
FIG. 6 is a bottom elevation view thereof; and,  
FIG. 7 is a perspective view with the lid closed.

**1 Claim, 7 Drawing Sheets**



(56)

**References Cited**

U.S. PATENT DOCUMENTS

8,579,108 B2 \* 11/2013 Tanbo ..... B65D 85/1045  
 206/242  
 D698,642 S \* 2/2014 Tawada ..... D9/423  
 9,139,354 B2 \* 9/2015 Holford ..... B65D 5/6691  
 D775,944 S \* 1/2017 Marchitto ..... B65D 85/1045  
 D9/414  
 D821,866 S \* 7/2018 Scotti ..... D9/420  
 2008/0230410 A1 \* 9/2008 Steven Jones ..... B65D 5/4291  
 206/268  
 2009/0078599 A1 \* 3/2009 Tanbo ..... B65D 5/4266  
 206/259  
 2011/0147443 A1 \* 6/2011 Igo ..... B65D 75/5838  
 229/117.31  
 2012/0012479 A1 \* 1/2012 Hodges ..... A24C 5/608  
 206/265  
 2013/0341219 A1 \* 12/2013 Young ..... B65D 5/6691  
 206/261  
 2013/0341380 A1 \* 12/2013 Tambo ..... B65D 85/1045  
 229/100

2014/0021078 A1 \* 1/2014 Holford ..... B65D 5/4291  
 206/268  
 2014/0061074 A1 \* 3/2014 de The ..... B31F 1/07  
 206/268  
 2014/0305821 A1 \* 10/2014 Gibson ..... B65D 85/1045  
 206/264  
 2014/0374287 A1 \* 12/2014 Holford ..... B65D 85/1045  
 206/248  
 2016/0016723 A1 \* 1/2016 Hodges ..... B65D 85/1045  
 206/259  
 2017/0088341 A1 \* 3/2017 Fallon ..... B65D 75/5838  
 2017/0144816 A1 \* 5/2017 Holford ..... B65D 75/5838  
 2017/0247134 A1 \* 8/2017 Suzuki ..... B65B 19/20  
 2019/0084754 A1 \* 3/2019 Fallon ..... B65D 85/1081

FOREIGN PATENT DOCUMENTS

JP	D1458379	12/2015
JP	D1614160	3/2019
UA	25159	7/2013

\* cited by examiner

FIG. 1

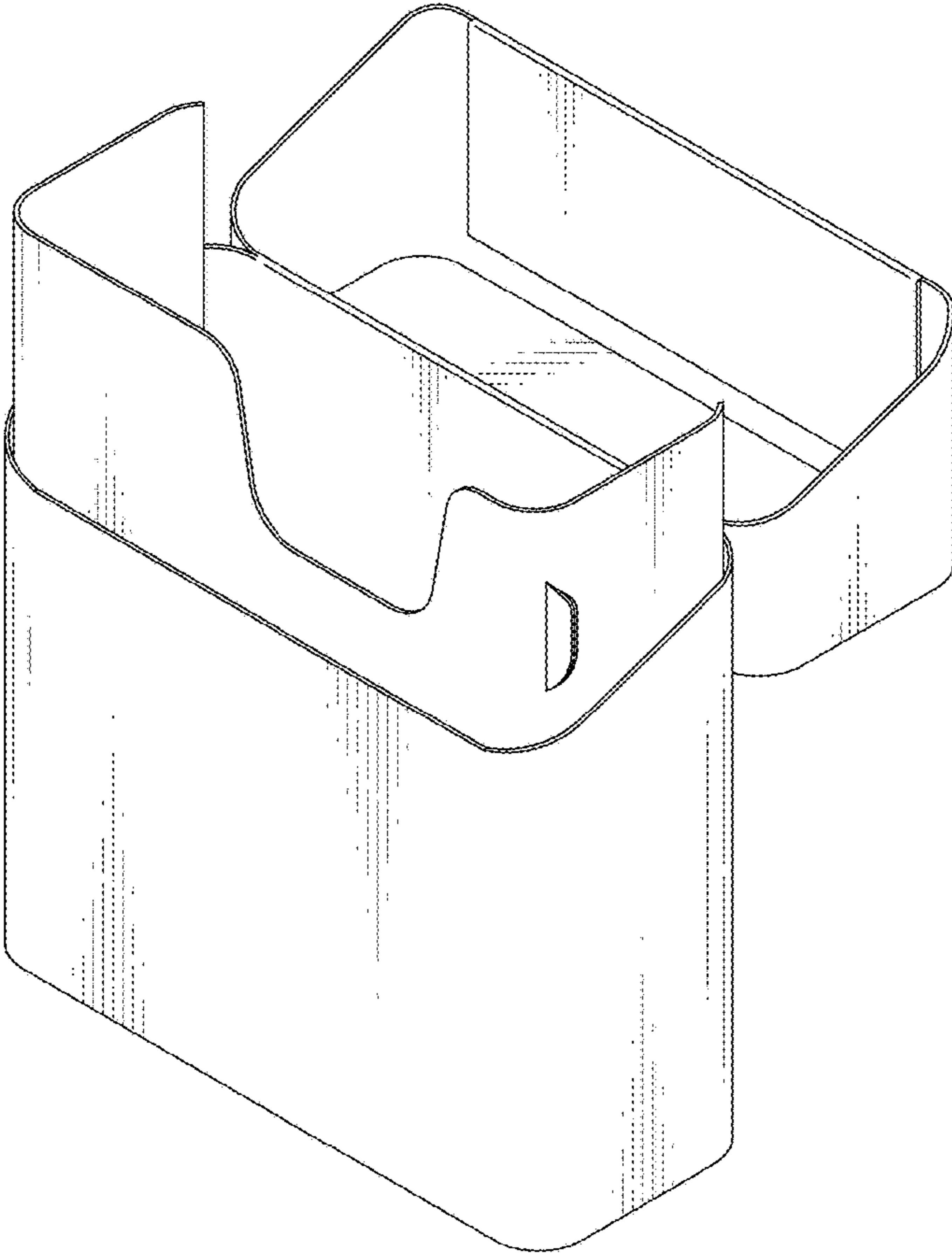


FIG. 2

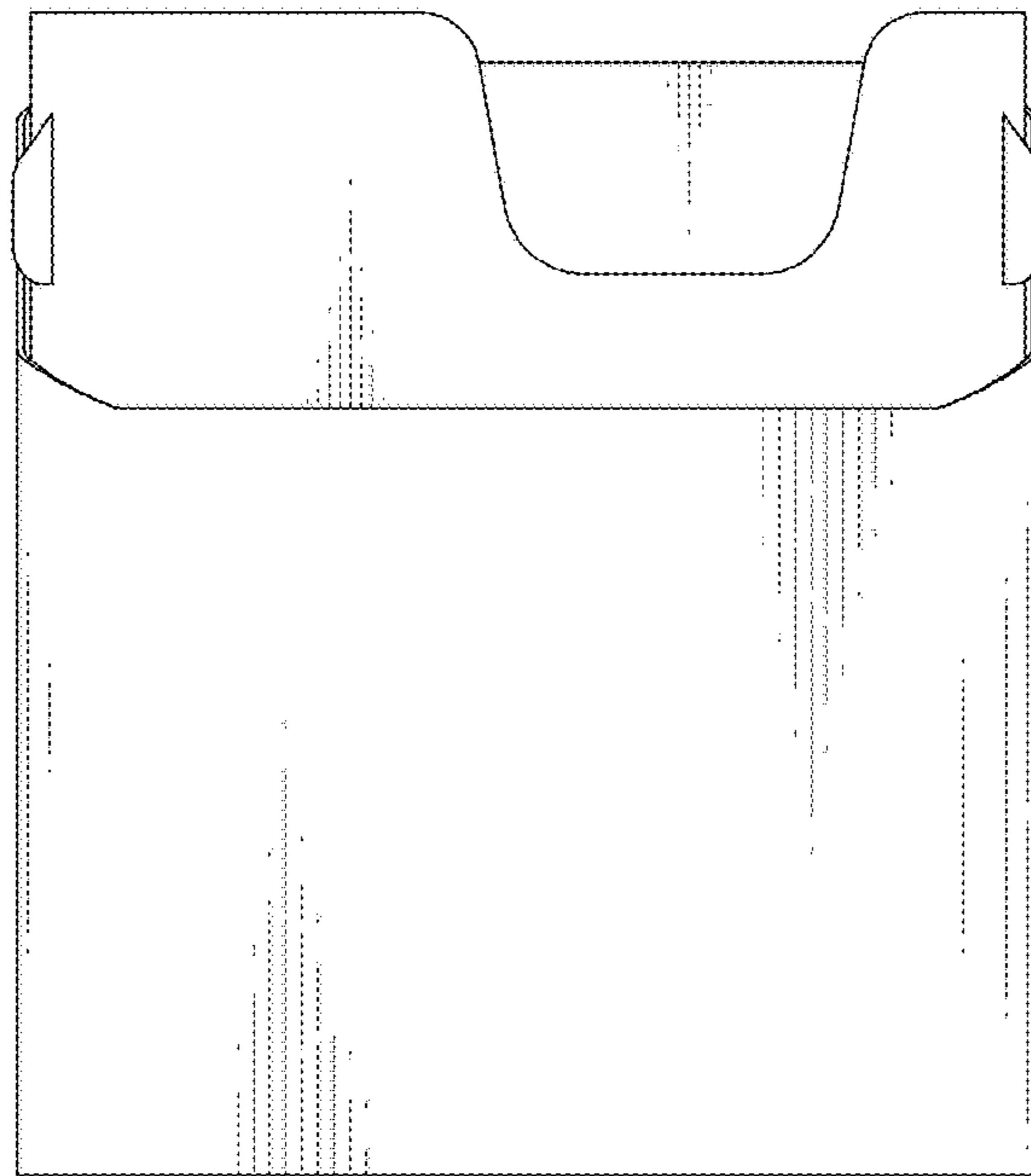


FIG. 3

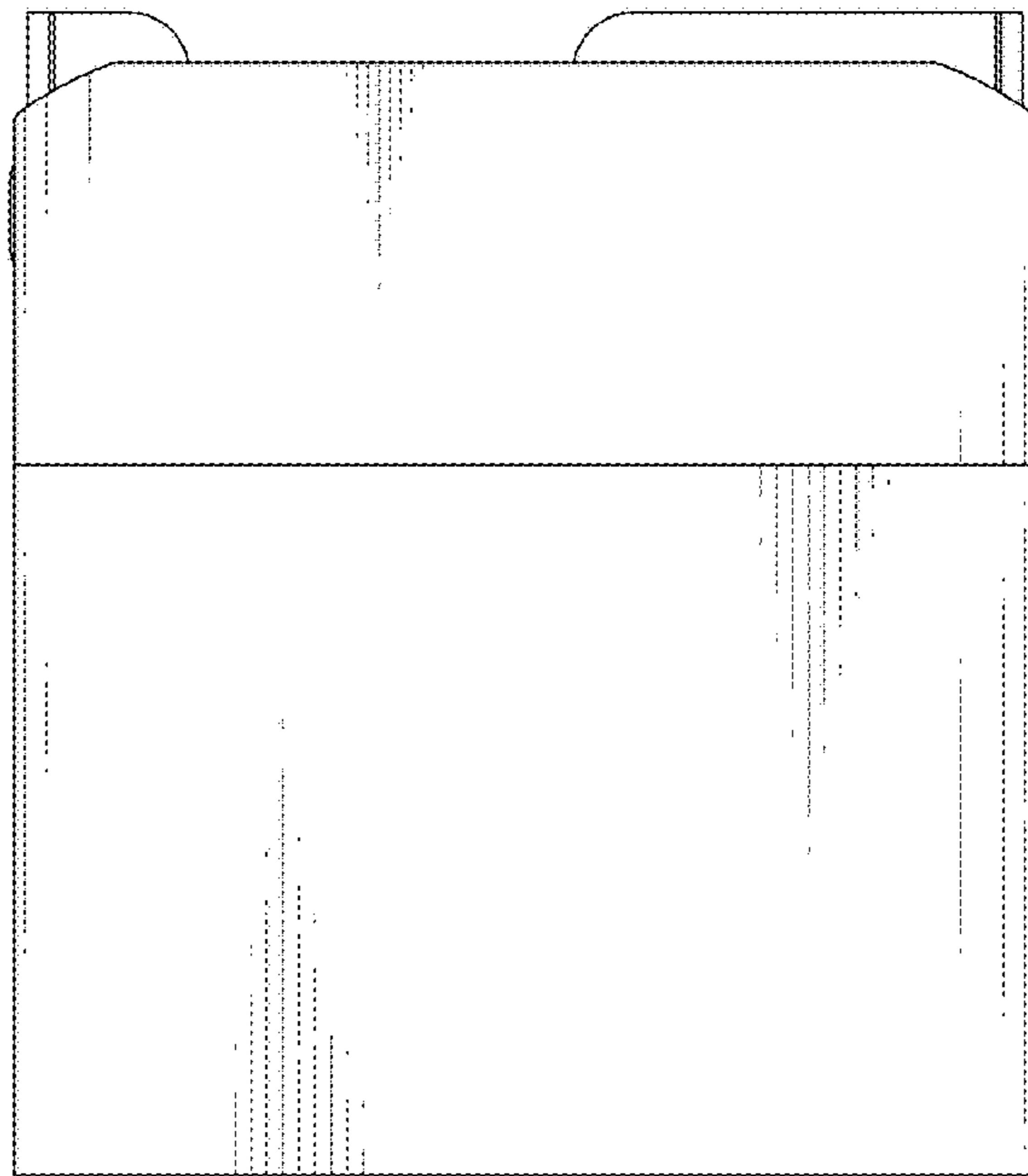


FIG. 4

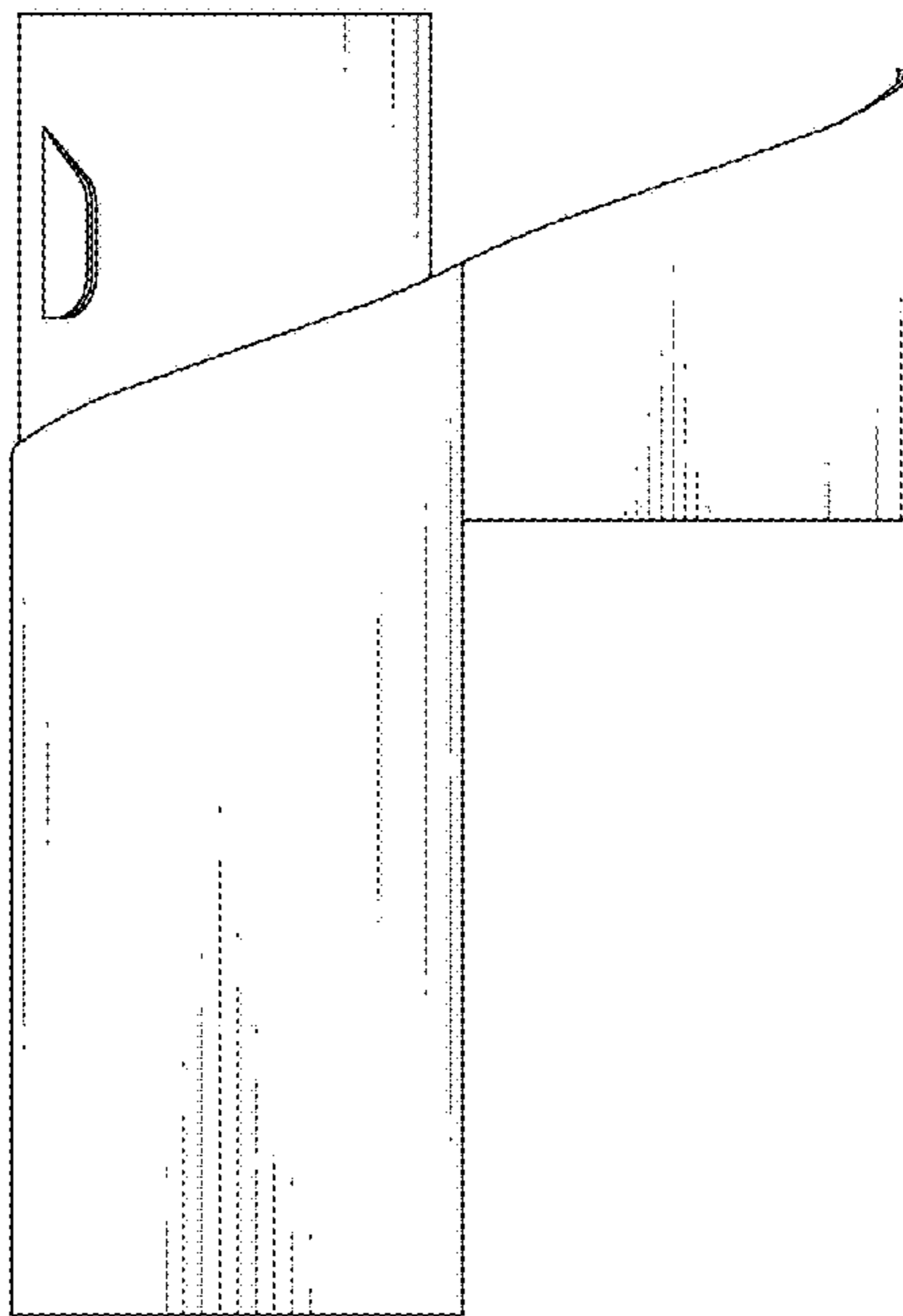


FIG. 5

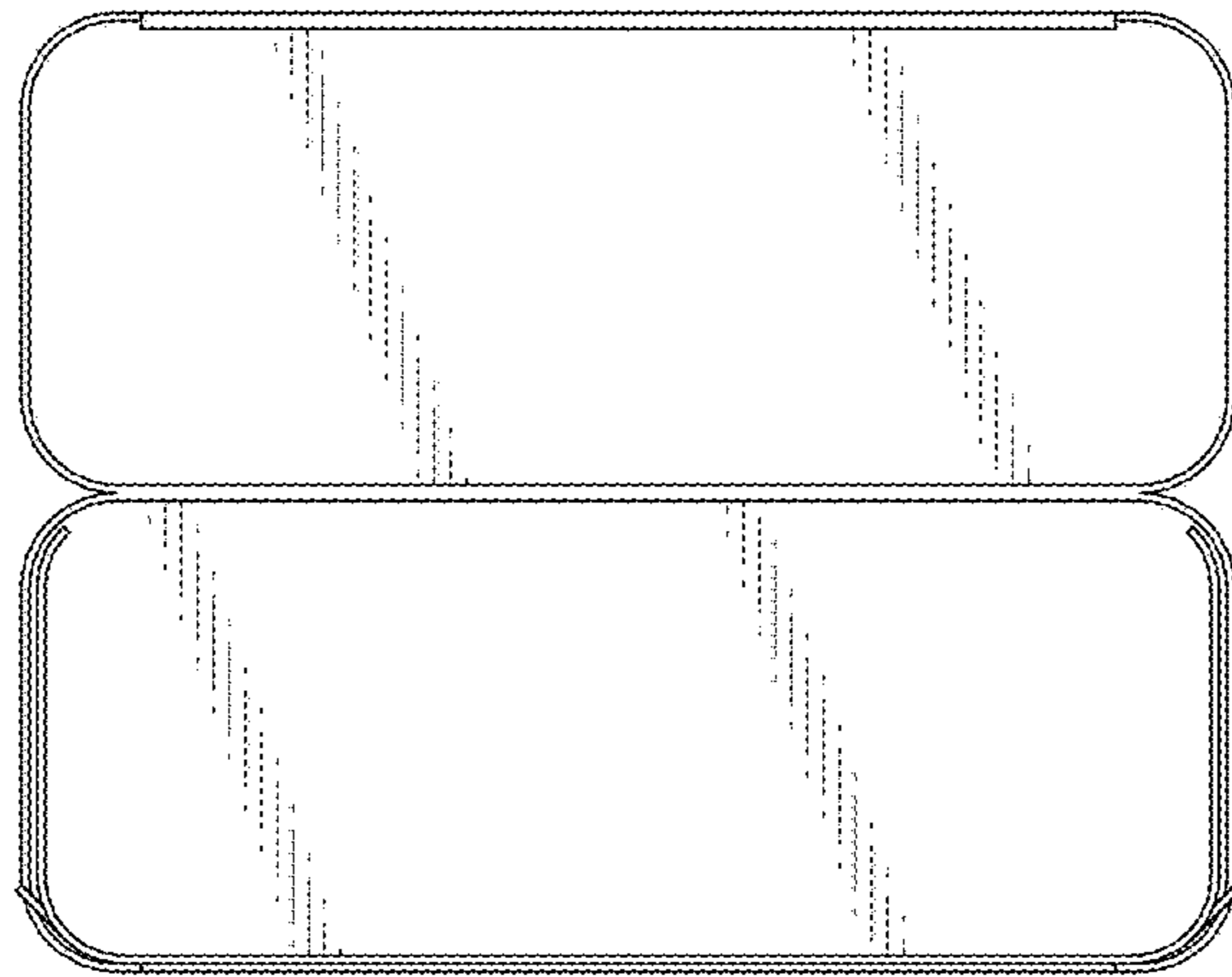


FIG. 6

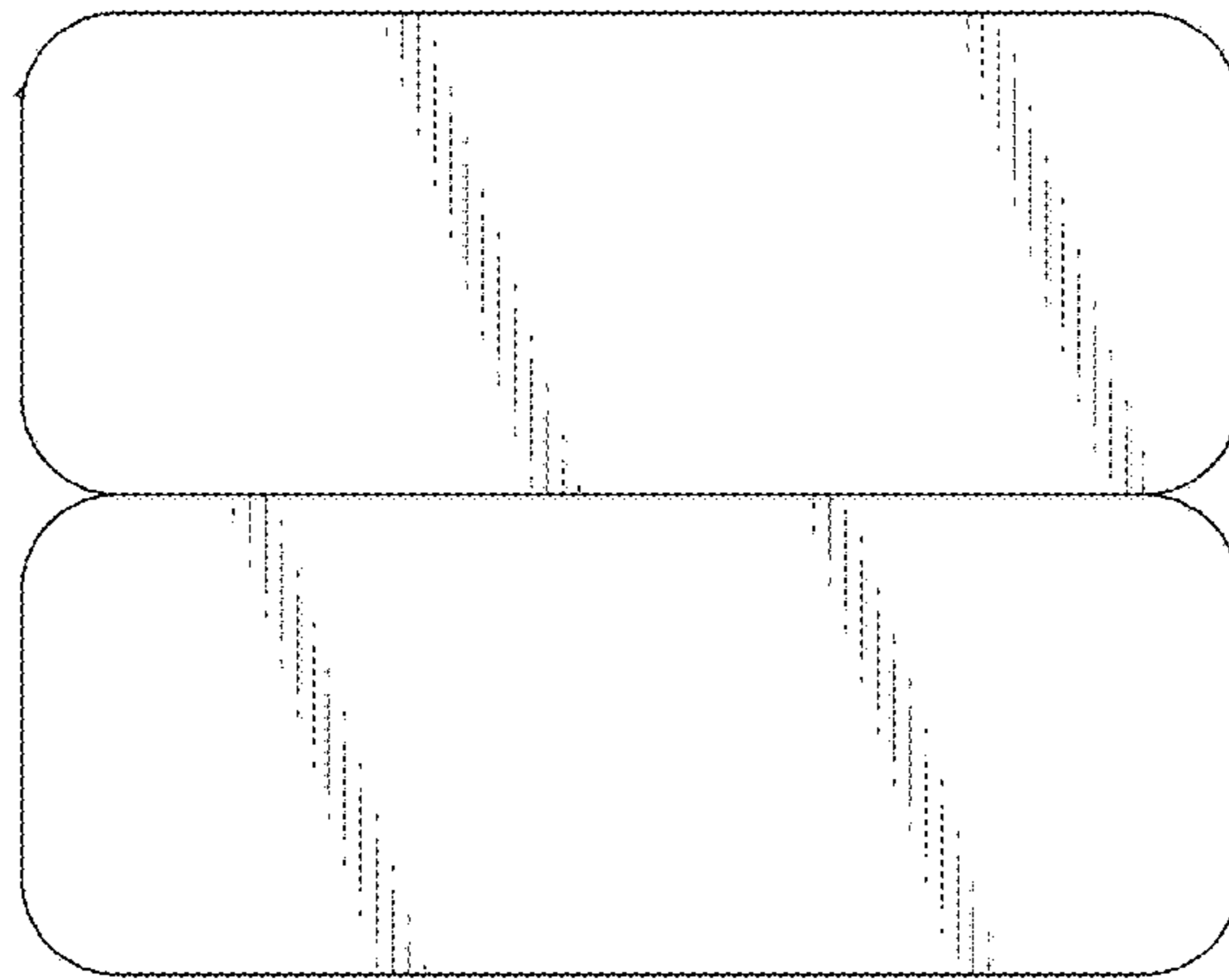




FIG. 7

