



US00D869269S

(12) **United States Design Patent** (10) **Patent No.:** **US D869,269 S**  
**Giwani** (45) **Date of Patent:** **\*\* Dec. 10, 2019**

(54) **CELLULAR PHONE ACCESSORY PACKAGE**

(71) Applicant: **Warner Wireless Int'l Inc**, Dallas, TX (US)

(72) Inventor: **James Giwani**, Dallas, TX (US)

(73) Assignee: **Warner Wireless Int'l Inc**, Dallas, TX (US)

(\*\*) Term: **15 Years**

(21) Appl. No.: **29/650,274**

(22) Filed: **Jun. 5, 2018**

(51) **LOC (12) Cl.** ..... **09-03**

(52) **U.S. Cl.**  
USPC ..... **D9/418**

(58) **Field of Classification Search**  
 USPC ..... D9/414, 415, 418, 423, 424, 431, 432, D9/457, 708, 715, 721, 734, 737; D14/204, 223; D3/201, 218, 226, 294, D3/295, 319; D8/356  
 CPC ..... B65D 5/38; B65D 5/503; B65D 5/566; B65D 5/2033; B65D 5/4204; B65D 5/5028; B65D 5/5038; B65D 7/06; B65D 43/00; B65D 43/163; B65D 81/00; B65D 81/03; B65D 81/36; B65D 81/022; B65D 81/025; B65D 81/3453; B65D 2585/86; B65D 2585/684; B65D 2585/6835; B65D 2585/6842; B65D 1/22; B65H 75/48; B65H 75/4428; B65H 75/4431; H04R 1/02; H04R 1/10; H04R 1/1003  
 See application file for complete search history.

(56) **References Cited**

U.S. PATENT DOCUMENTS

D281,033 S \* 10/1985 Mohri ..... D3/295  
 4,942,617 A 7/1990 Boylan  
 D397,865 S \* 9/1998 Lin ..... D3/218  
 5,984,224 A \* 11/1999 Yang ..... B65H 75/4473  
 242/400.1

D493,335 S \* 7/2004 Armato ..... D7/629  
 D533,387 S \* 12/2006 Huang ..... D6/632  
 D609,900 S 2/2010 Behar et al.  
 D620,257 S \* 7/2010 Fujimura ..... D3/294  
 D659,991 S \* 5/2012 Long, Jr. .... D3/201  
 D669,774 S \* 10/2012 Yamaguchi ..... D9/418  
 D672,660 S \* 12/2012 Vural ..... D9/721  
 D685,771 S \* 7/2013 Bertenthal ..... D14/223  
 D694,101 S \* 11/2013 Radomyselski ..... D9/415  
 8,590,703 B2 \* 11/2013 Tierney ..... B65D 65/04  
 150/154

(Continued)

*Primary Examiner* — Wan Laymon

*Assistant Examiner* — Clint A Samuel

(74) *Attorney, Agent, or Firm* — Scott T. Griggs; Griggs Bergen LLP

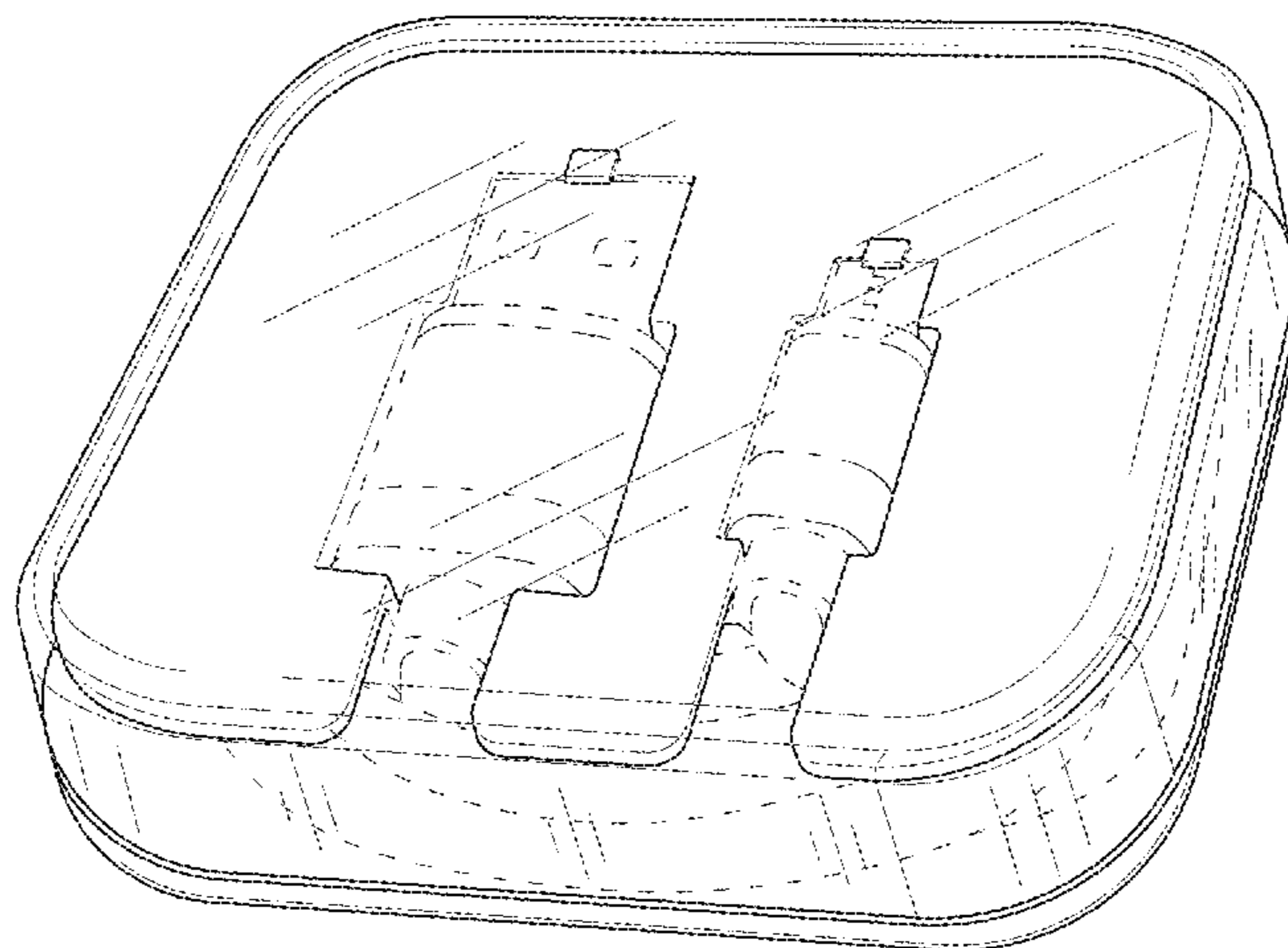
(57) **CLAIM**

The ornamental design for a cellular phone accessory package, as shown and described.

**DESCRIPTION**

FIG. 1 is a front perspective view of a cellular phone accessory package;  
 FIG. 2 is an additional front perspective view of the cellular phone accessory package shown in FIG. 1;  
 FIG. 3 is a top plan view of the cellular phone accessory package, with the transparent top shown in FIG. 1 removed for ease of illustration;  
 FIG. 4 is a front elevation view of the cellular phone accessory package, with the transparent top shown in FIG. 1 removed for ease of illustration;  
 FIG. 5 is a left side elevation view of the cellular phone accessory package, with the transparent top shown in FIG. 1 removed for ease of illustration; and,  
 FIG. 6 is a rear elevation view of the cellular phone accessory package as shown in FIG. 1.  
 The dashed lines shown are provided for environmental purposes only and form no part of the claimed design.

**1 Claim, 3 Drawing Sheets**



(56)

References Cited

U.S. PATENT DOCUMENTS

8,668,160 B2 \* 3/2014 Cheng ..... B65H 75/4473  
242/400.1  
D706,643 S \* 6/2014 Akana ..... D9/432  
D709,385 S \* 7/2014 Vural ..... D9/721  
8,774,446 B2 7/2014 Merenda  
D722,264 S \* 2/2015 Saideh ..... D9/418  
D722,497 S \* 2/2015 Saideh ..... D9/418  
D740,653 S \* 10/2015 Akana ..... D9/418  
D744,855 S \* 12/2015 Akana ..... D9/432  
D746,698 S \* 1/2016 Akana ..... D9/715  
D752,521 S \* 3/2016 Place ..... D13/153  
D774,760 S \* 12/2016 Martinetti ..... D3/294  
D793,223 S \* 8/2017 Minoli ..... D9/415  
D796,968 S \* 9/2017 Akana ..... D14/223  
D799,316 S \* 10/2017 Thain ..... D9/415  
D807,761 S \* 1/2018 Akana ..... D9/721  
D829,551 S \* 10/2018 Akana ..... D9/455  
D833,887 S \* 11/2018 Akana ..... D9/721  
D838,480 S \* 1/2019 Son ..... D3/294  
D840,218 S \* 2/2019 Thain ..... D9/415  
D844,456 S \* 4/2019 O'Neill ..... D9/737  
2004/0256188 A1 12/2004 Harcourt  
2012/0224739 A1 9/2012 Cataldo et al.  
2013/0105342 A1 \* 5/2013 Yamamoto ..... H04R 1/1033  
206/320  
2014/0192995 A1 7/2014 Cataldo et al.  
2015/0129702 A1 5/2015 Brennan et al.  
2015/0375893 A1 \* 12/2015 Korinek ..... B65D 5/503  
493/90

\* cited by examiner

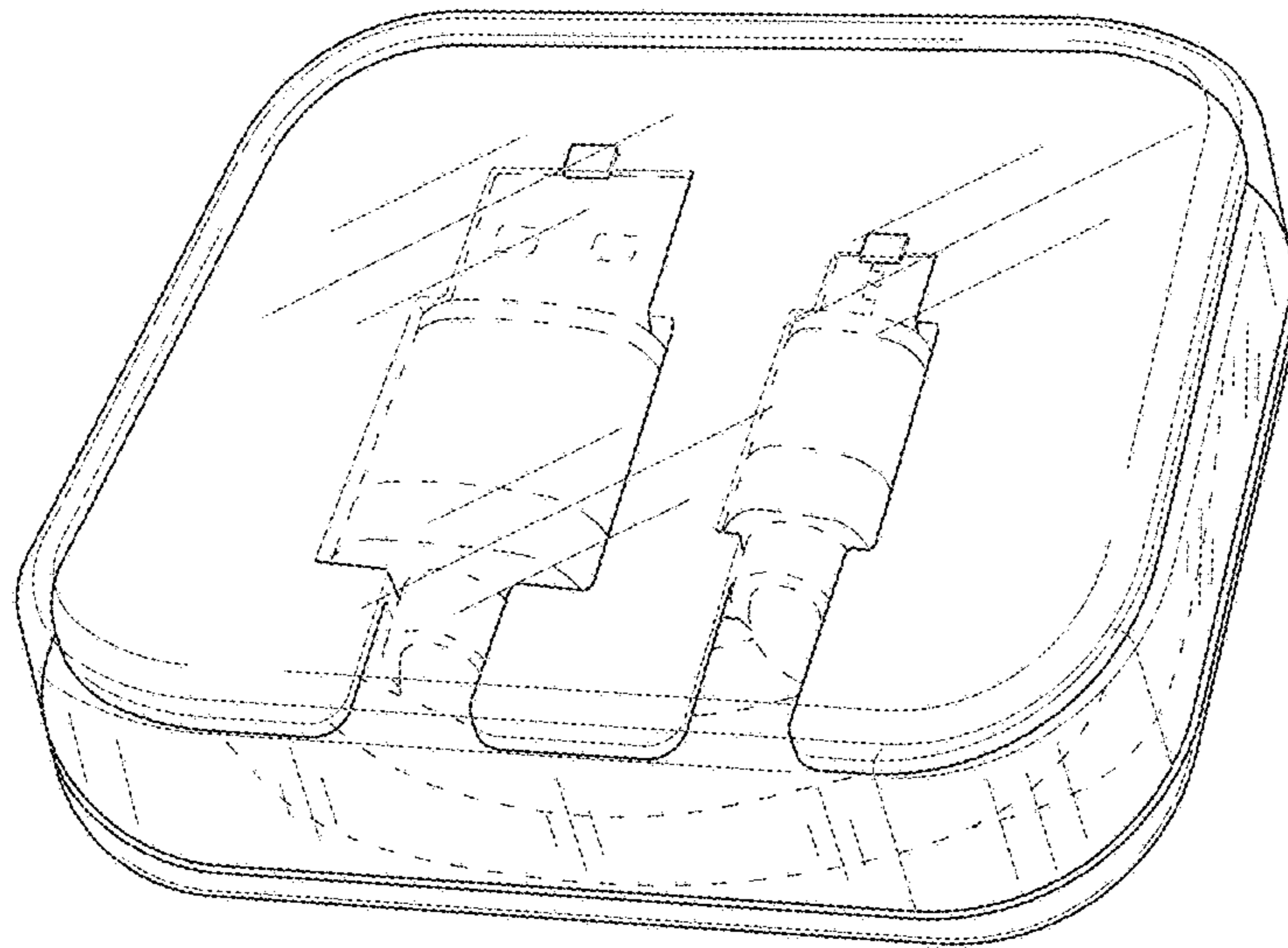


FIG. 1

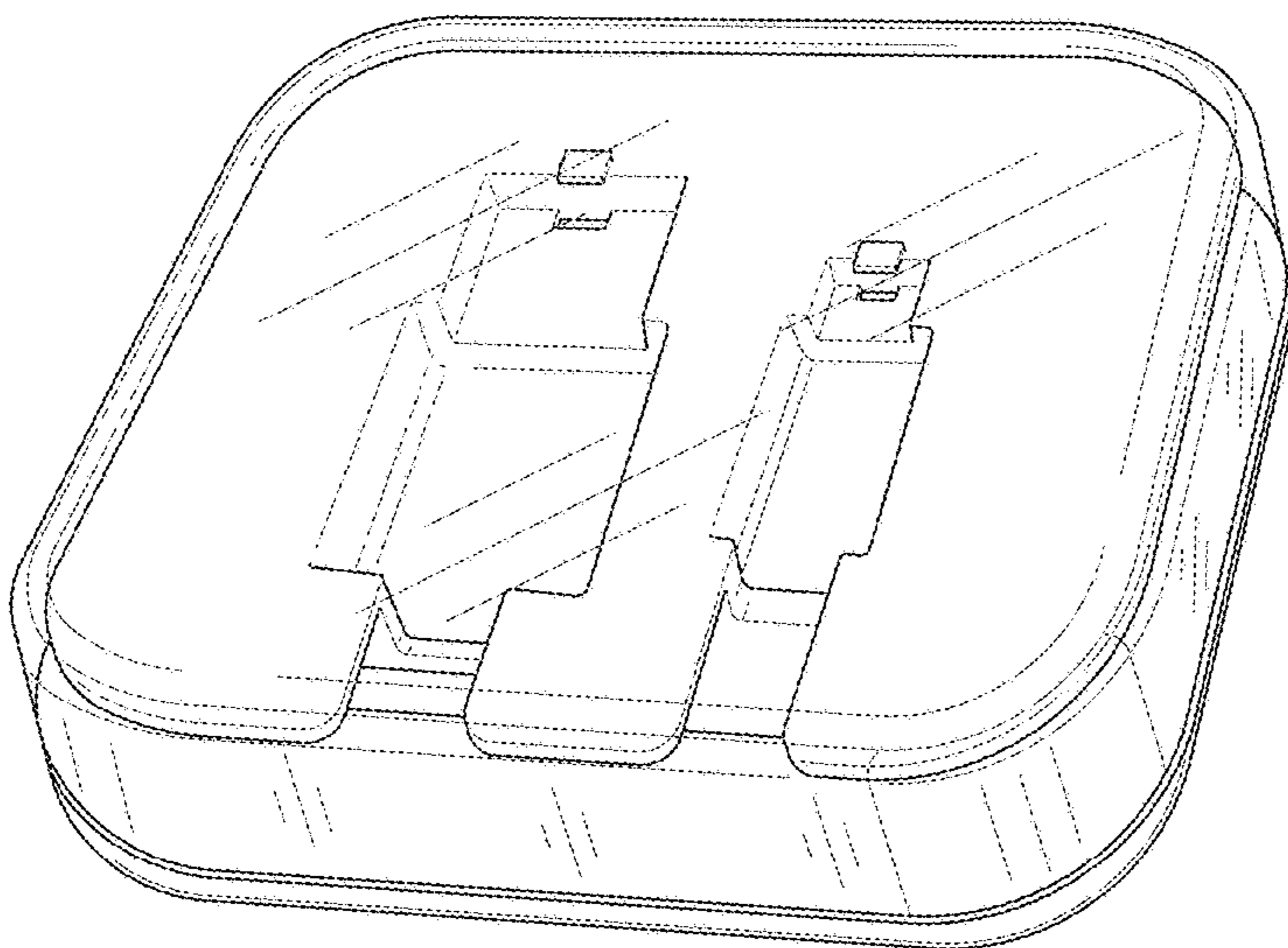


FIG. 2

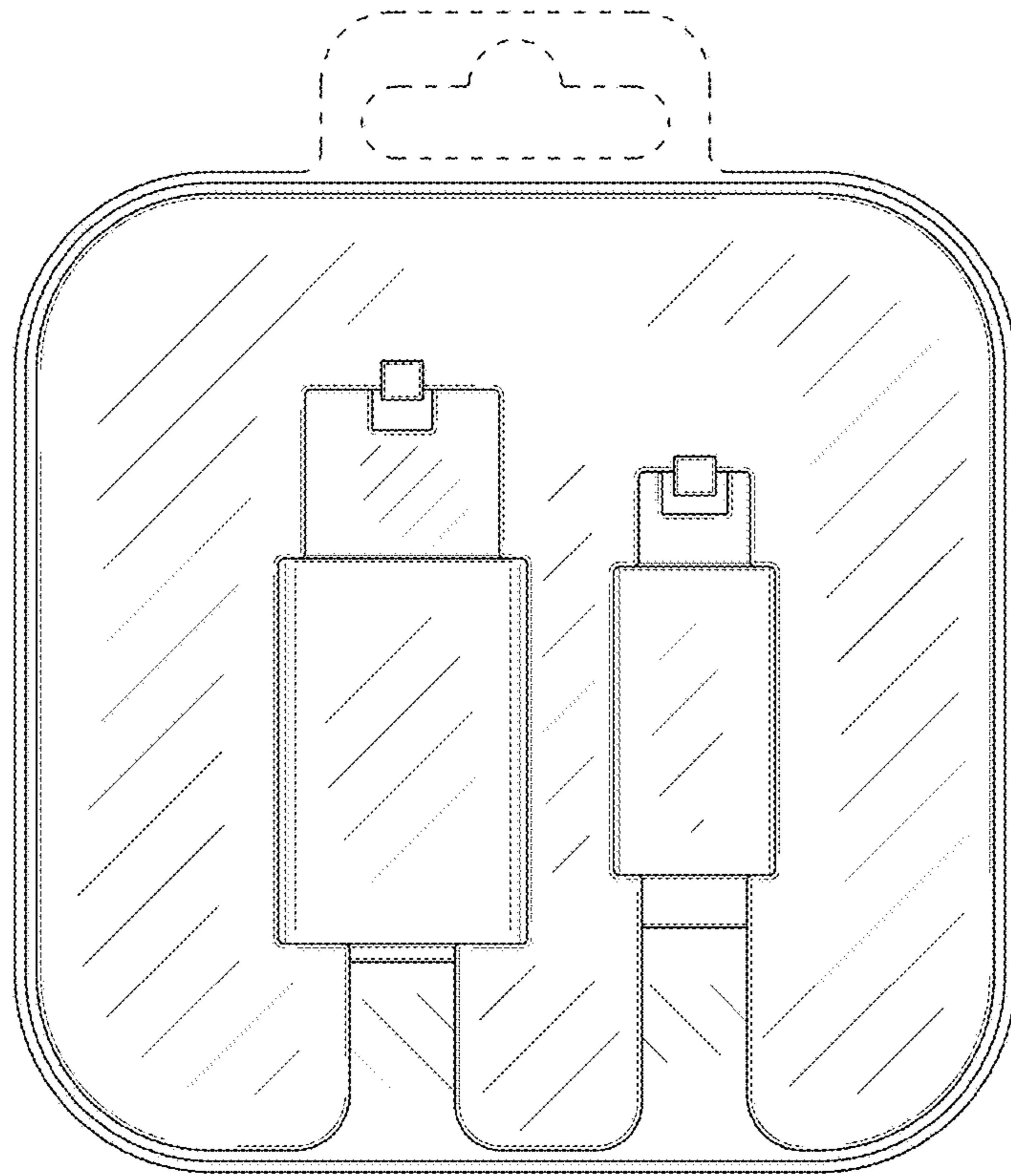


FIG. 3

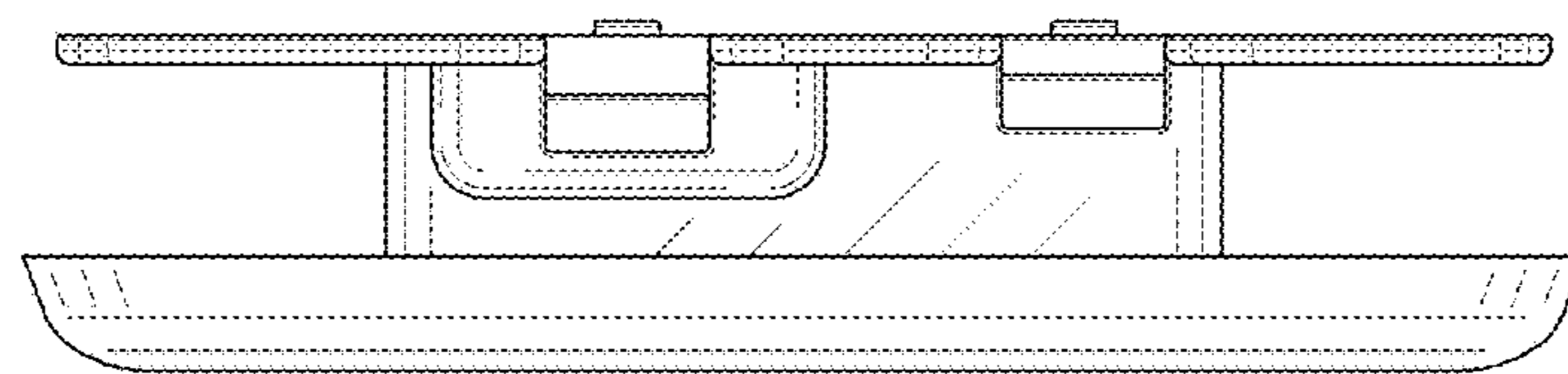


FIG. 4

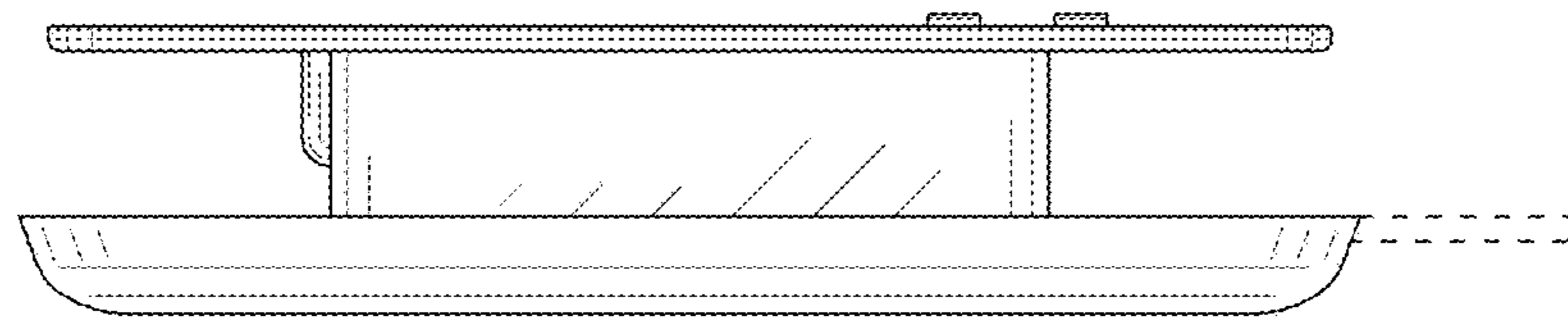


FIG. 5

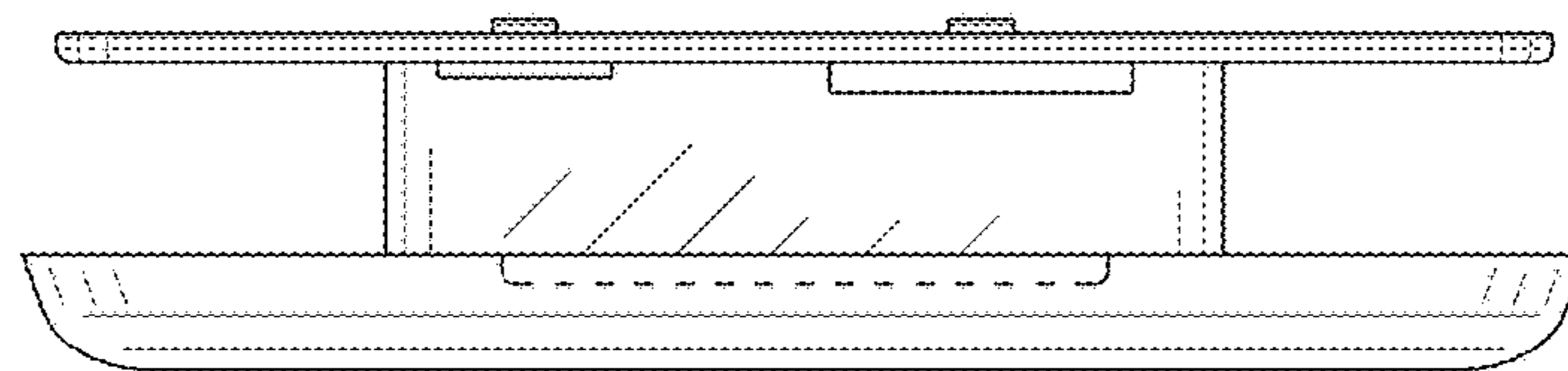


FIG. 6