

US00D869266S

(12) **United States Design Patent** (10) **Patent No.:** **US D869,266 S**
Ikeda (45) **Date of Patent:** **** Dec. 10, 2019**

(54) **NUT**
(71) Applicant: **PIOLAX, INC.**, Yokohama-shi (JP)
(72) Inventor: **Tetsuya Ikeda**, Yokohama (JP)
(73) Assignee: **PIOLAX, INC.**, Yokohama-Shi,
Kanagawa (JP)
(**) Term: **15 Years**
(21) Appl. No.: **29/671,216**
(22) Filed: **Nov. 26, 2018**

D809,377 S * 2/2018 Su D8/397
D821,862 S * 7/2018 Huang D8/397
2008/0298925 A1* 12/2008 Shinozaki F16B 19/1081
411/48

* cited by examiner

Primary Examiner — Cynthia R Underwood
(74) *Attorney, Agent, or Firm* — McGinn IP Law Group,
PLLC

(57) **CLAIM**

The ornamental design for a nut, as shown and described.

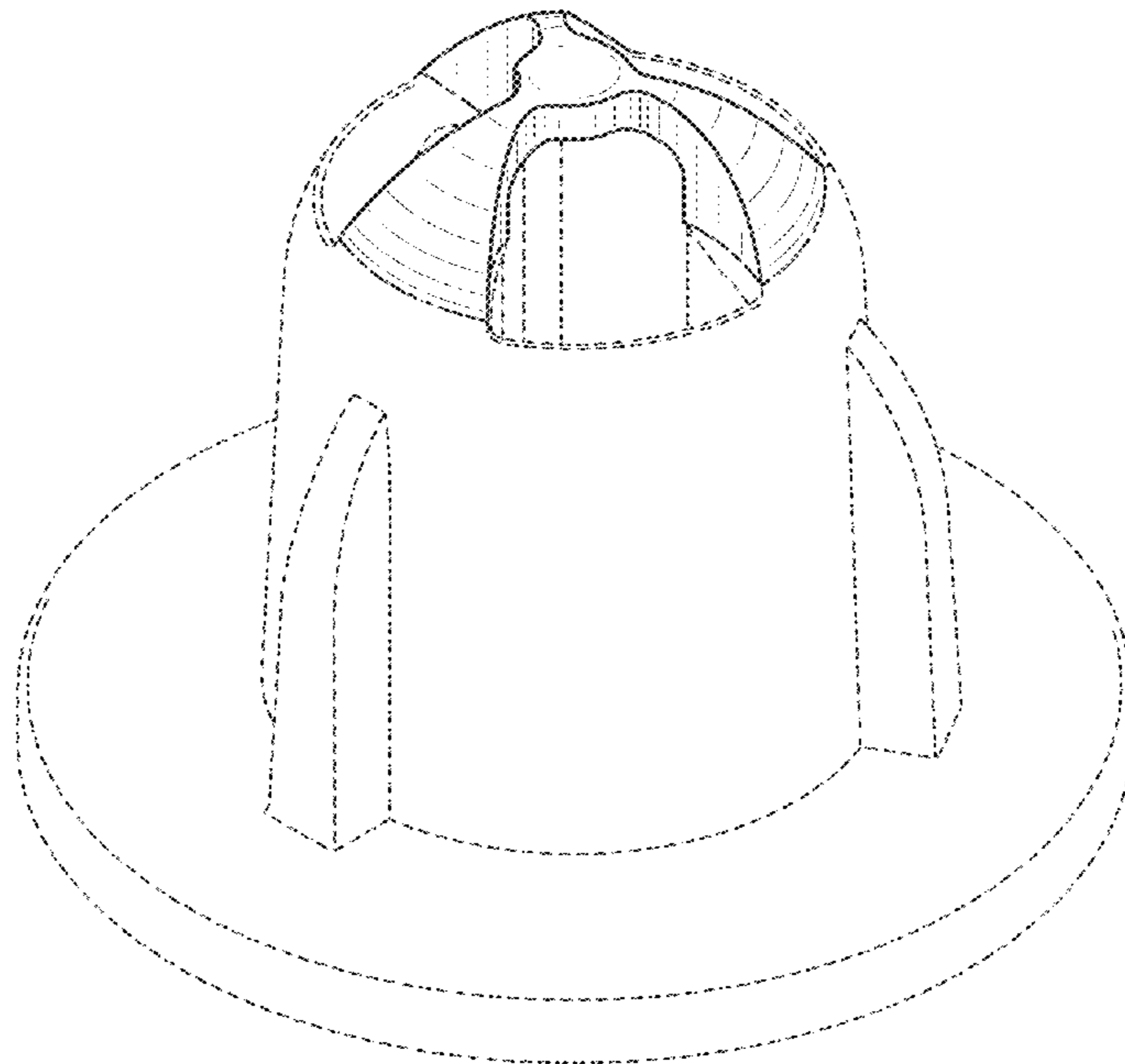
DESCRIPTION

(30) **Foreign Application Priority Data**
May 31, 2018 (JP) 2018-011943
(51) **LOC (12) Cl.** **08-08**
(52) **U.S. Cl.**
USPC **D8/399**; D23/262
(58) **Field of Classification Search**
USPC D8/397, 394, 382, 349, 399; 411/427,
411/374
CPC A61B 17/0401; E04D 13/1476; E04G
25/065; F16B 41/002; F16B 23/0061;
F16B 37/14; F16B 35/00
See application file for complete search history.

FIG. 1 is a perspective view of the front, top and right side of a nut, showing my new design;
FIG. 2 is a front view thereof;
FIG. 3 is a rear view thereof;
FIG. 4 is a left side view thereof;
FIG. 5 is a right side view thereof;
FIG. 6 is a top plan view thereof;
FIG. 7 is a bottom view thereof;
FIG. 8 is a cross-sectional view taken along vertical center line in FIG. 6;
FIG. 9 is a cross-sectional view taken along horizontal center line in FIG. 2;
FIG. 10 is a cross-sectional view taken along line 10-10 of FIG. 2; and,
FIG. 11 is a reference view of usage.
The broken lines shown are included for the purpose of illustrating the unclaimed portions of the nut and form no part of the claimed design. The dot-dash lines define the bounds of the claimed design and form no part thereof.

(56) **References Cited**
U.S. PATENT DOCUMENTS
D613,594 S * 4/2010 Huang D12/213
D613,595 S * 4/2010 Huang D12/213
D625,990 S * 10/2010 Lin D12/213
D696,578 S * 12/2013 Takahashi D8/397

1 Claim, 11 Drawing Sheets



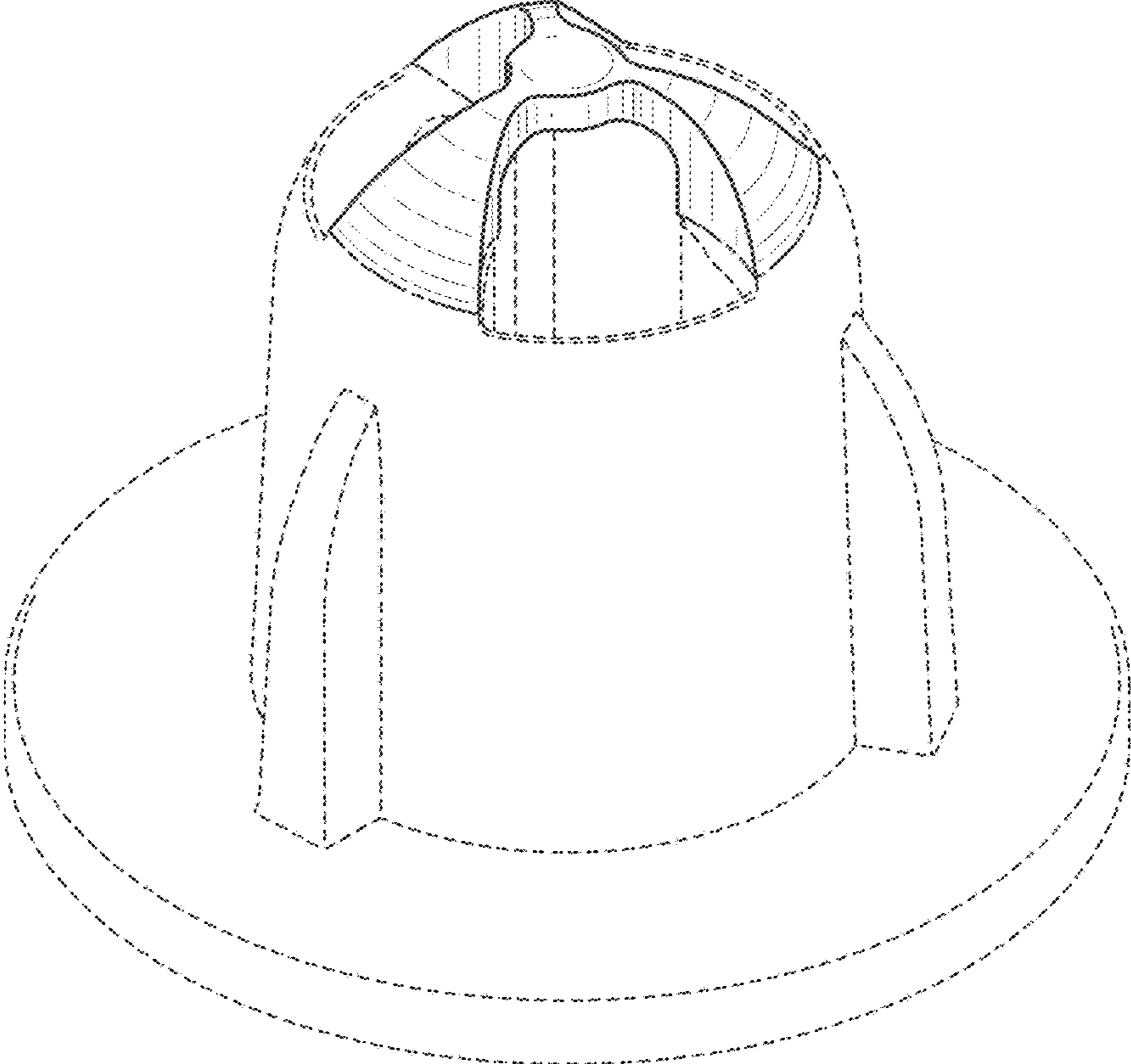


FIG. 1

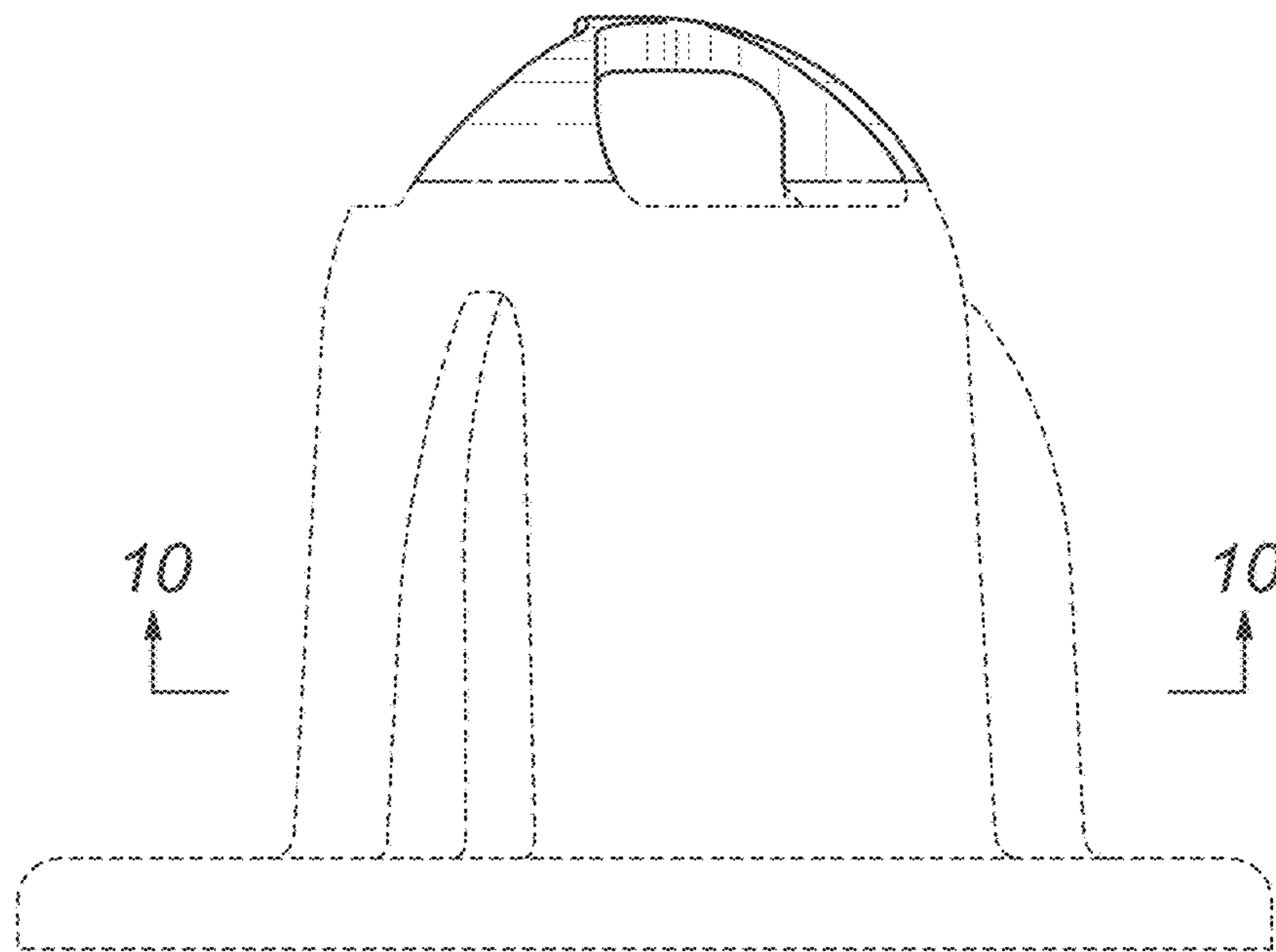


FIG. 2

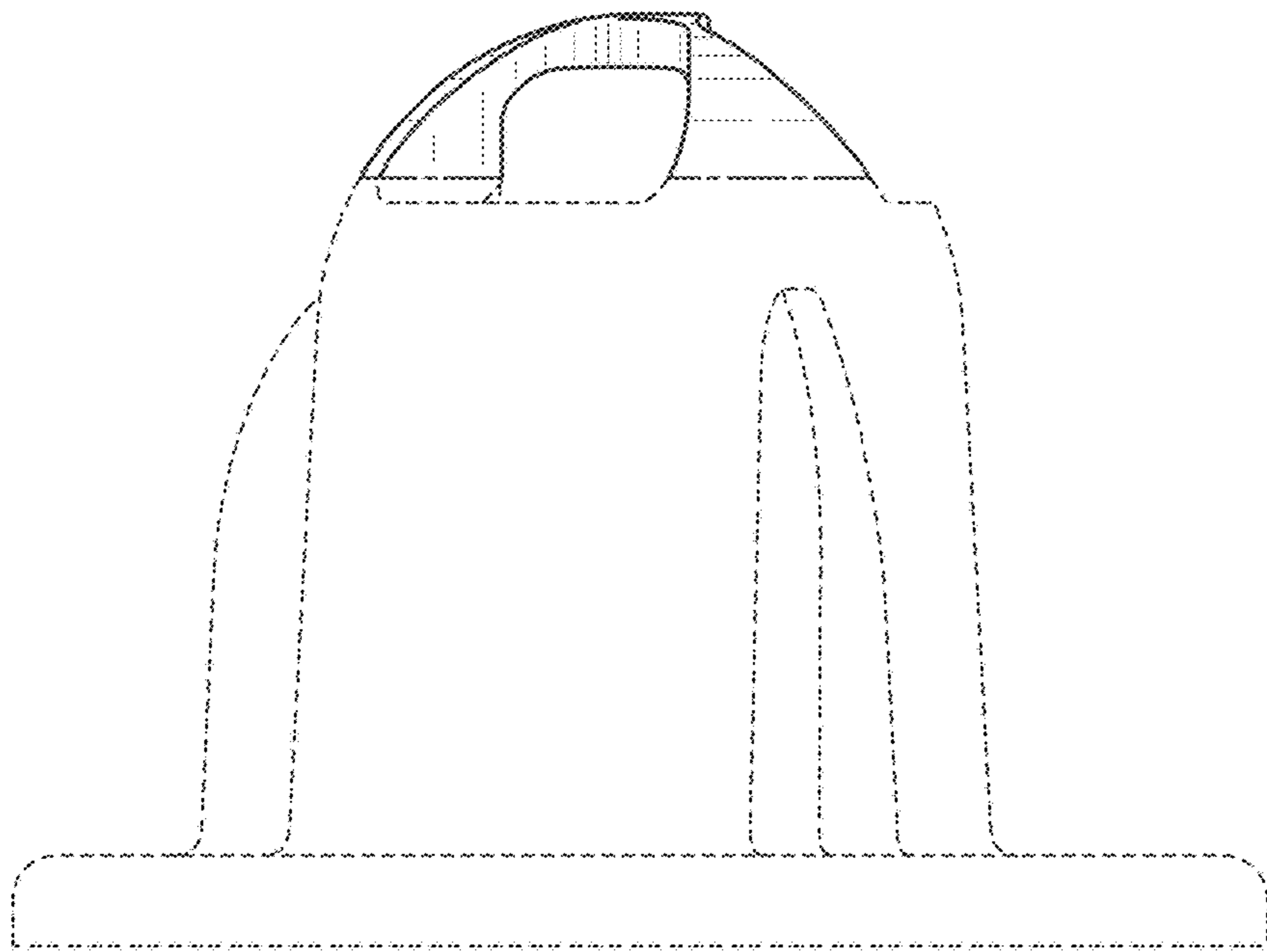


FIG. 3

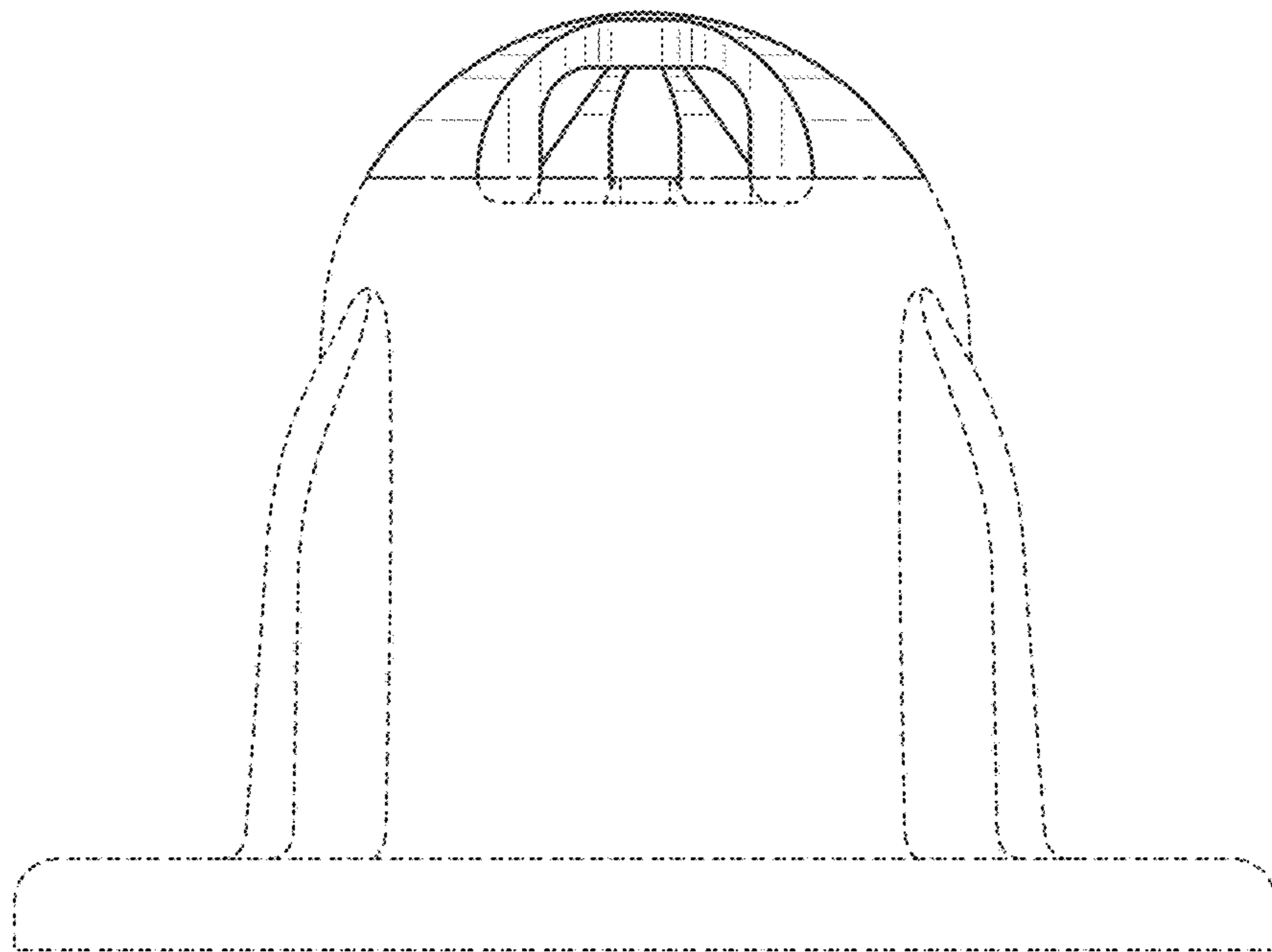


FIG. 4

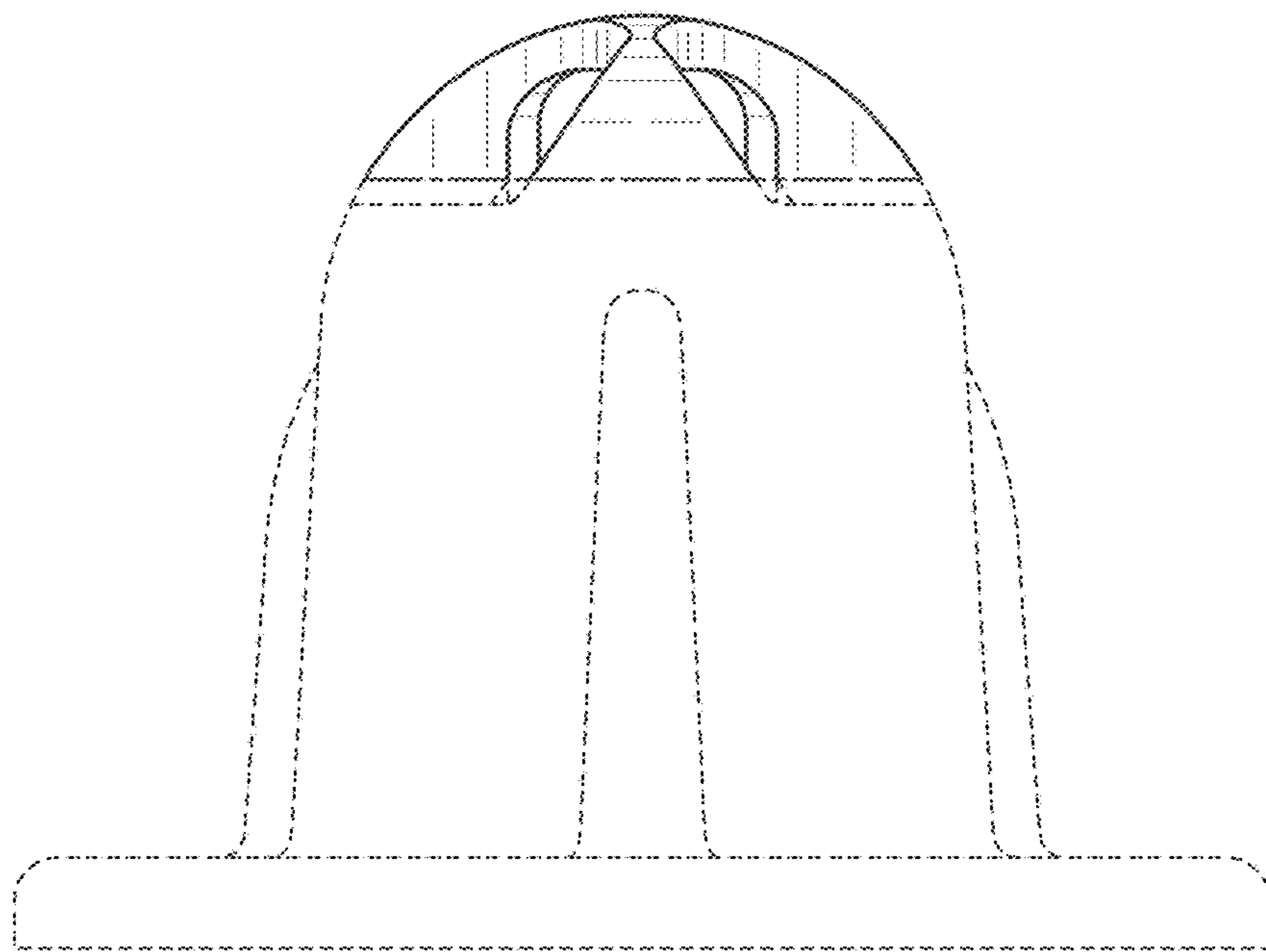


FIG. 5

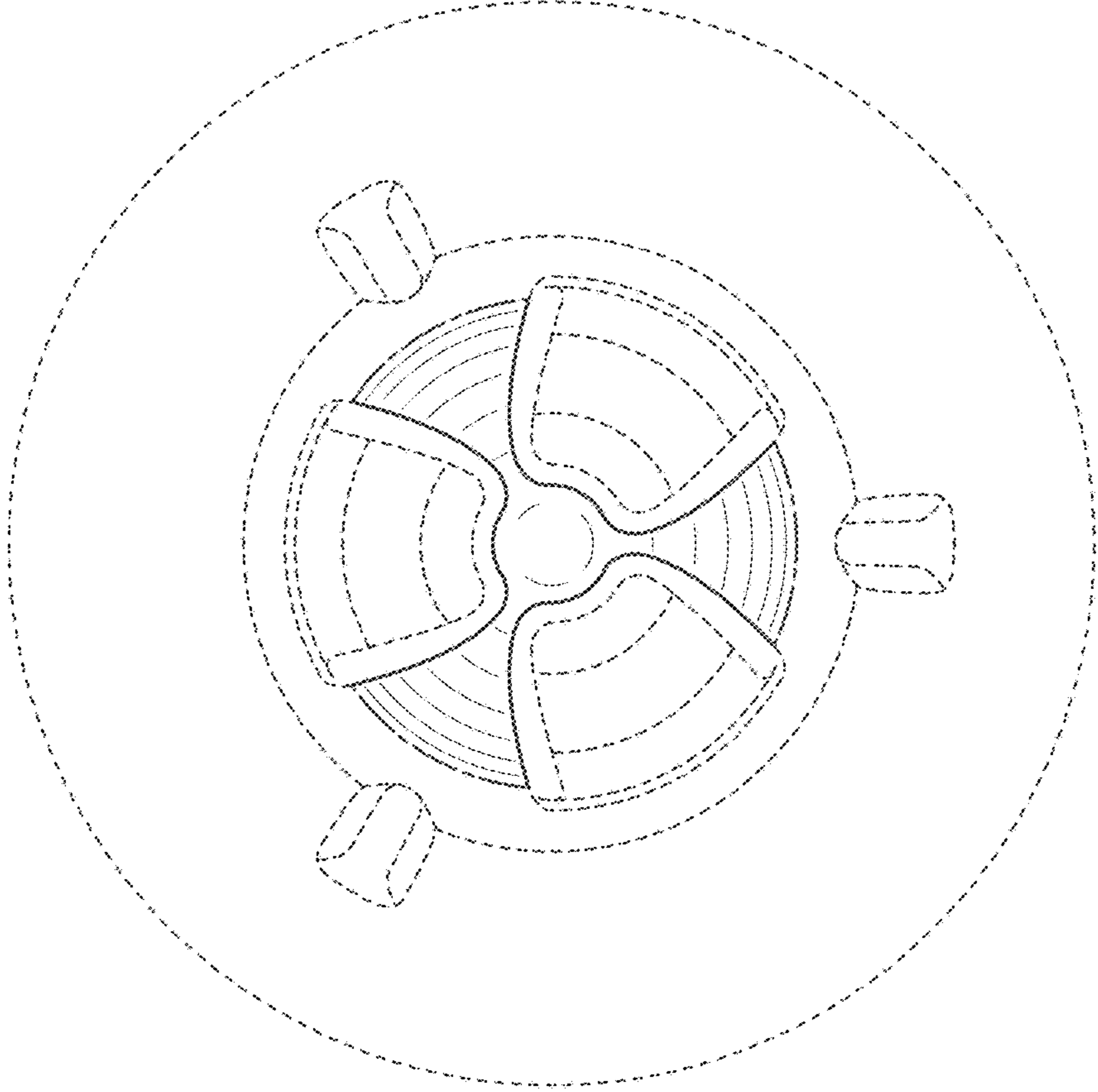


FIG. 6

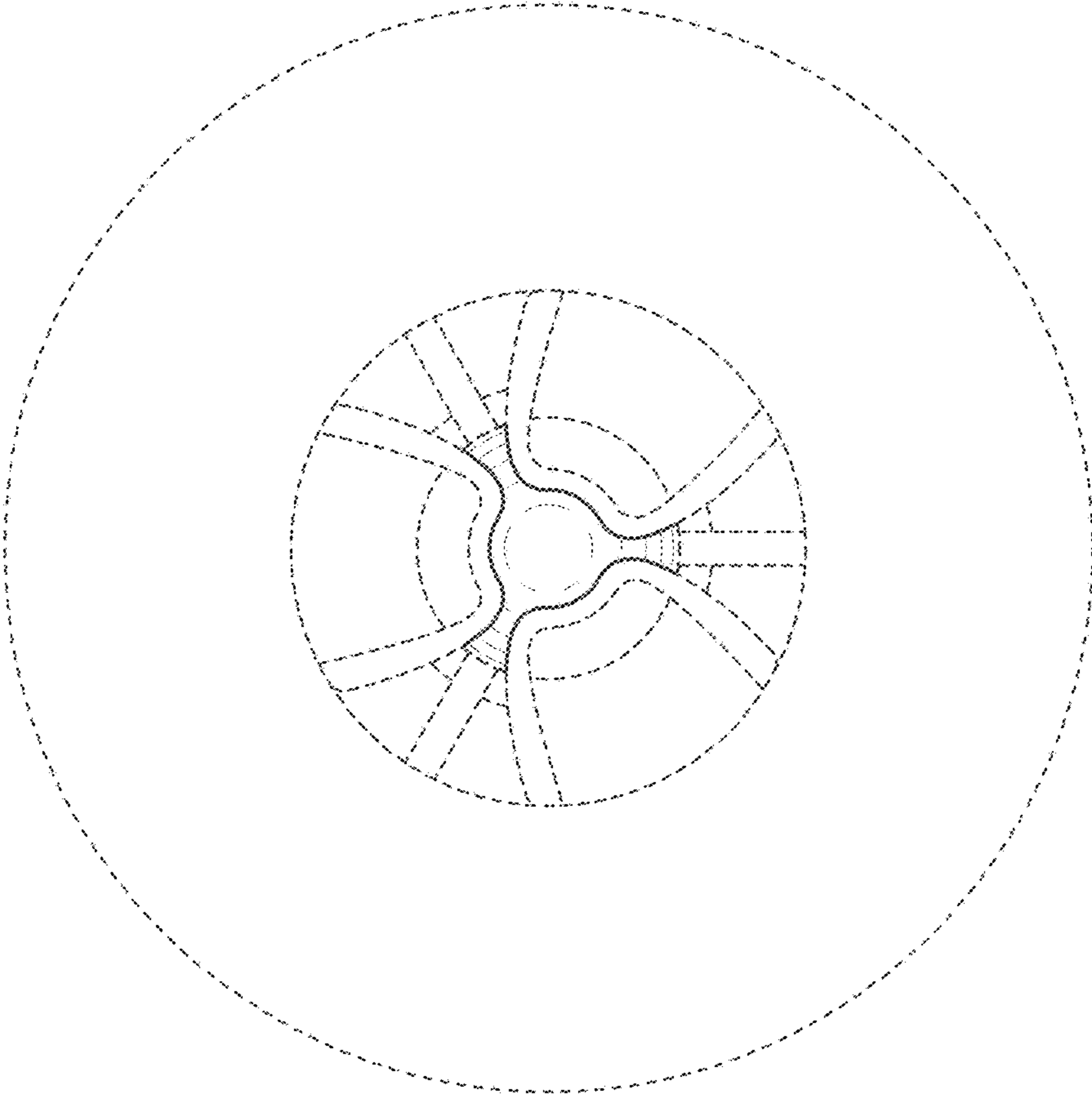


FIG. 7

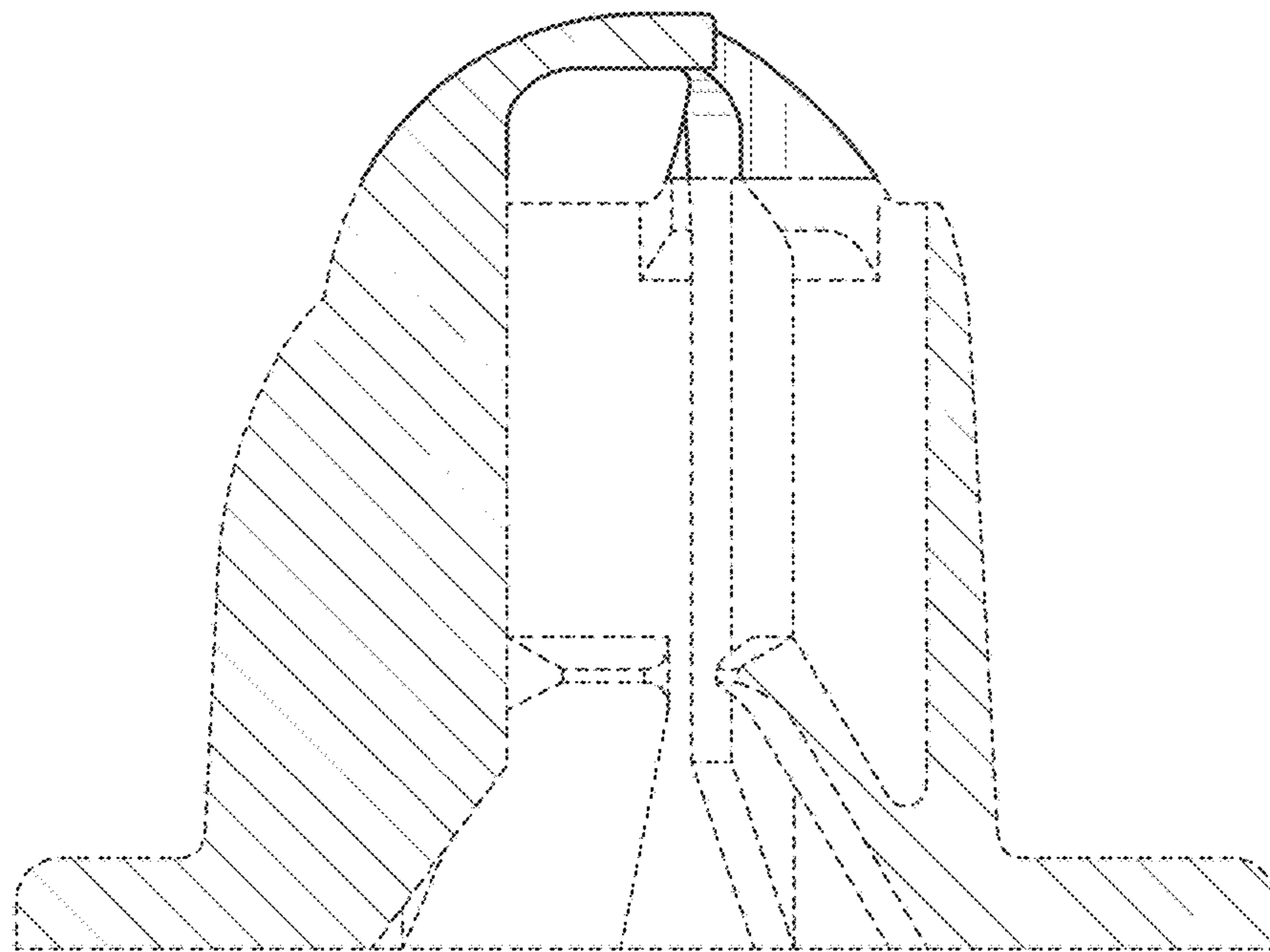


FIG. 8

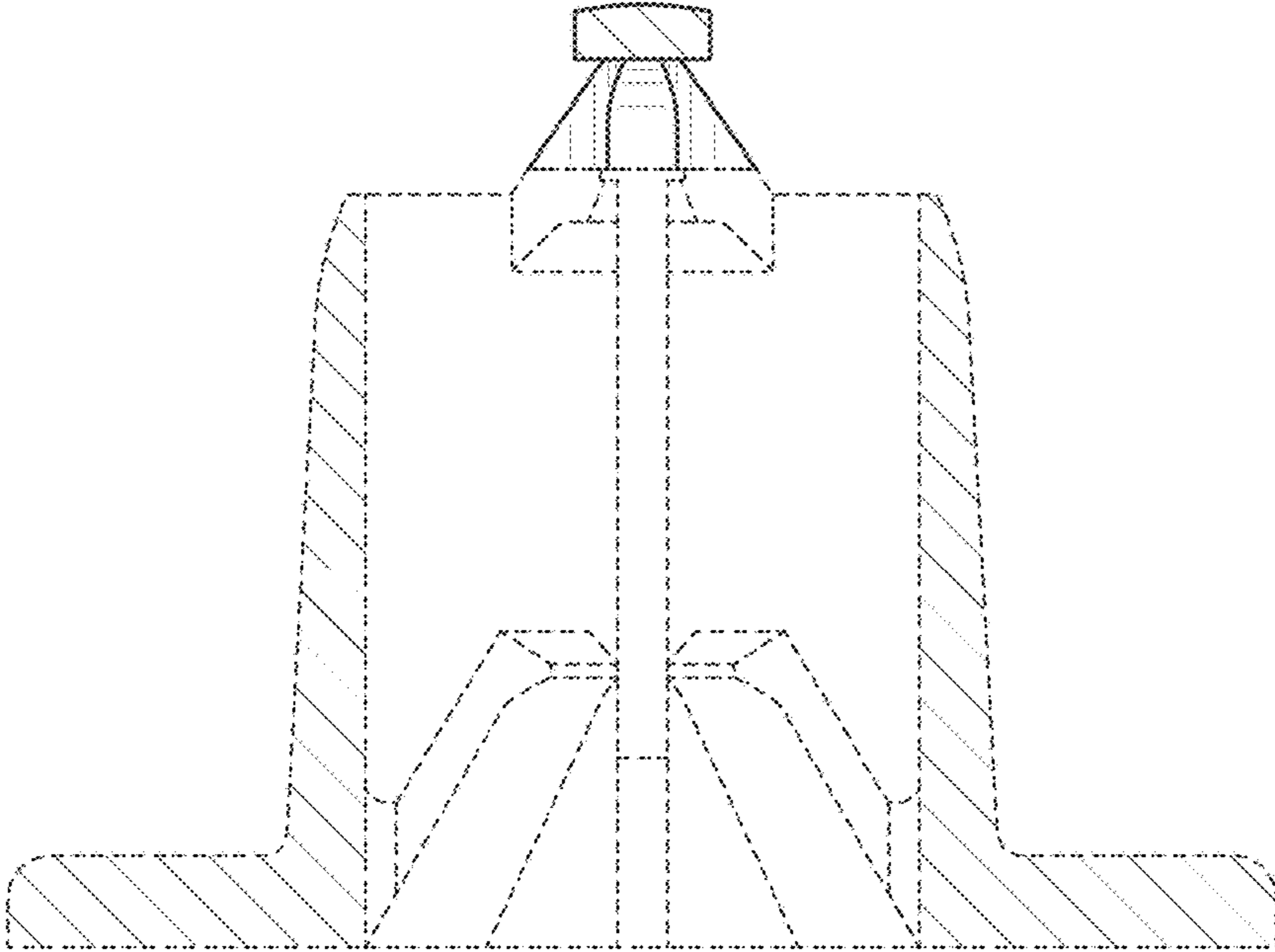


FIG. 9

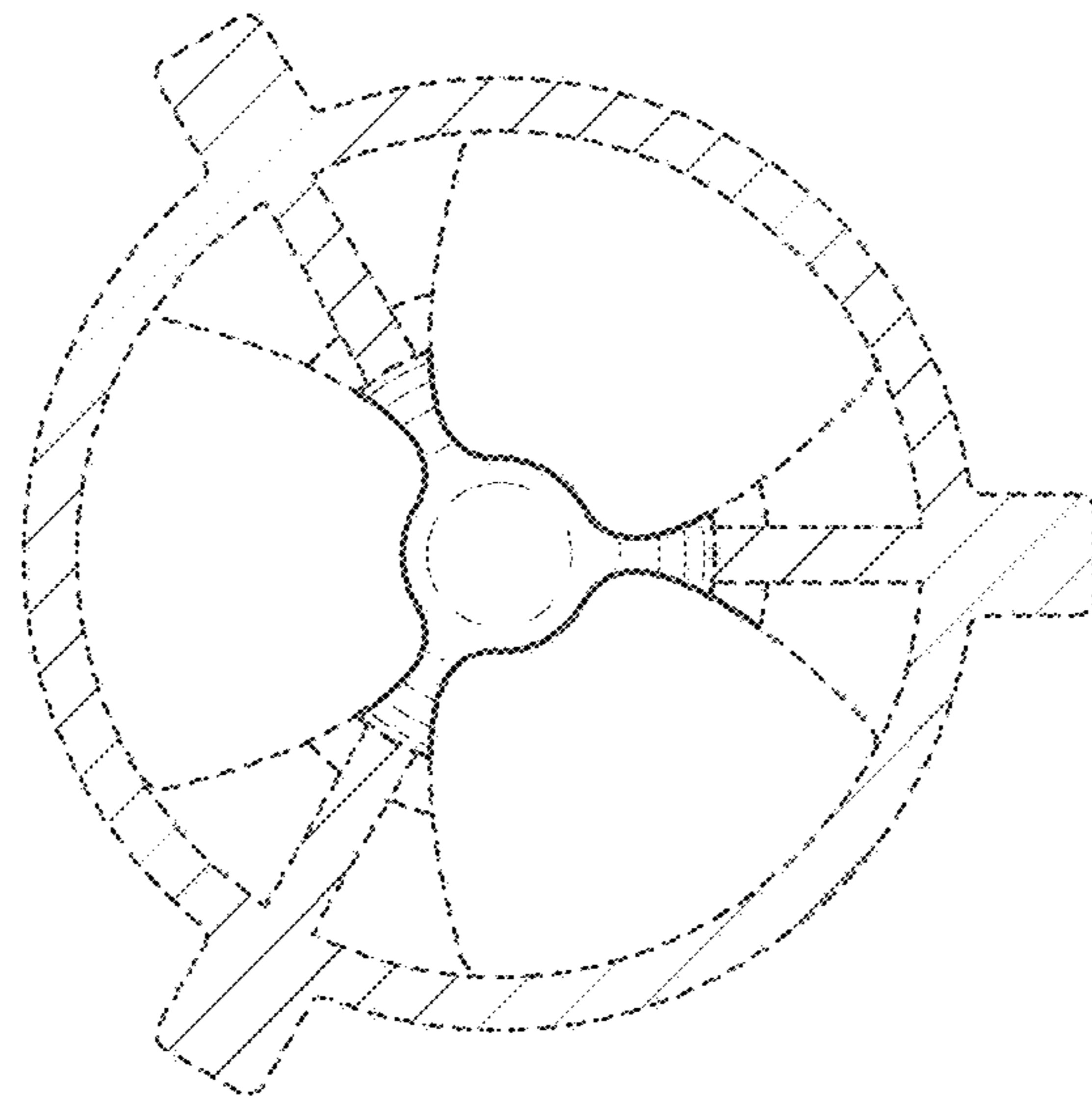


FIG. 10

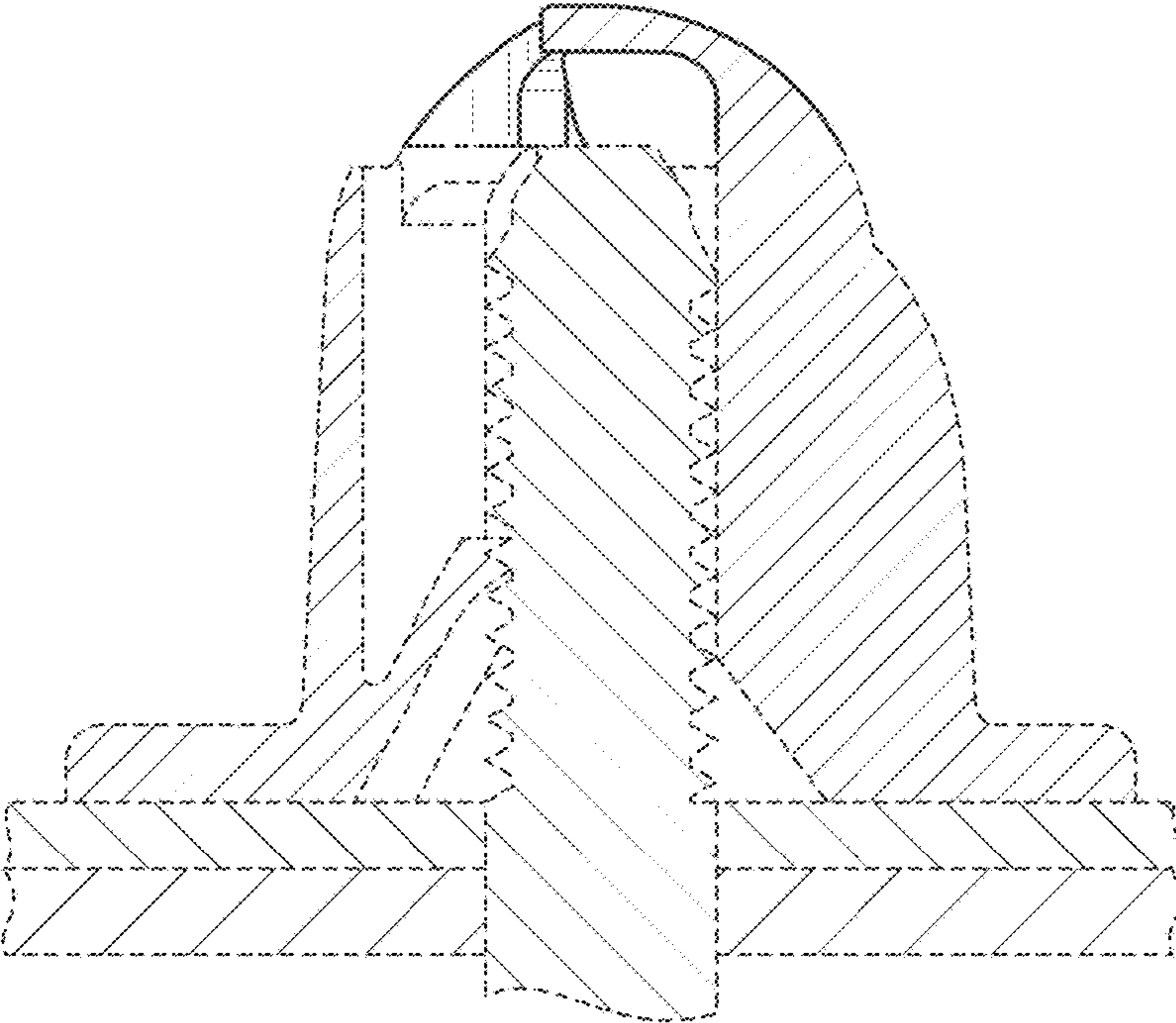


FIG. 11