



US00D869265S

(12) **United States Design Patent**
Matsufuji et al.

(10) **Patent No.:** **US D869,265 S**

(45) **Date of Patent:** **** Dec. 10, 2019**

(54) **NUT**
(71) Applicant: **PIOLAX, INC.**, Yokohama-shi (JP)
(72) Inventors: **Saki Matsufuji**, Yokohama (JP);
Kazuki Kurota, Yokohama (JP); **Ryu Hattori**, Yokohama (JP)
(73) Assignee: **PIOLAX, INC.**, Yokohama-Shi,
Kanagawa (JP)

4,993,959 A * 2/1991 Randolph H01R 4/64
439/92
6,106,310 A * 8/2000 Davis H01R 4/26
439/92
D740,113 S * 10/2015 Olenick D8/399
D786,042 S * 5/2017 Bridges D8/14
9,826,810 B2 * 11/2017 Singer A45C 1/06
D806,529 S * 1/2018 Olenick D8/399
D818,357 S * 5/2018 Cummings D8/394
D844,425 S * 4/2019 Olenick D8/399
2017/0363124 A1 * 12/2017 Brown F16B 2/12

* cited by examiner

(**) Term: **15 Years**

Primary Examiner — Cynthia R Underwood

(21) Appl. No.: **29/630,289**

(74) *Attorney, Agent, or Firm* — McGinn IP Law Group,
PLLC

(22) Filed: **Dec. 20, 2017**

(57) **CLAIM**

(30) **Foreign Application Priority Data**

The ornamental design for nut, as shown and described.

Sep. 21, 2017 (JP) 2017-020619

DESCRIPTION

(51) **LOC (12) Cl.** **08-08**

FIG. 1 is a perspective view of the front, bottom and right side of a nut, showing our new design;

(52) **U.S. Cl.**

FIG. 2 is a perspective view of the rear, bottom and right side thereof;

USPC **D8/399**

FIG. 3 is a front view thereof;

(58) **Field of Classification Search**

USPC D8/397, 394, 382, 349, 399; 411/427,
411/374

FIG. 4 is a rear view thereof;

CPC A61B 17/0401; E04D 13/1476; E04G
25/065; F16B 41/002; F16B 23/0061;
F16B 37/14; F16B 35/00

FIG. 5 is a left side view thereof, the right side view being mirror image thereof;

See application file for complete search history.

FIG. 6 is a top plan view thereof;

(56) **References Cited**

U.S. PATENT DOCUMENTS

1,857,488 A * 5/1932 Weeks B42F 1/06
24/563
D220,424 S * 4/1971 Hindenburg D8/395
3,810,069 A * 5/1974 Jaconette, Jr. F16B 37/041
439/97
3,992,897 A * 11/1976 Loos F24F 13/20
62/262

FIG. 7 is a bottom view thereof;

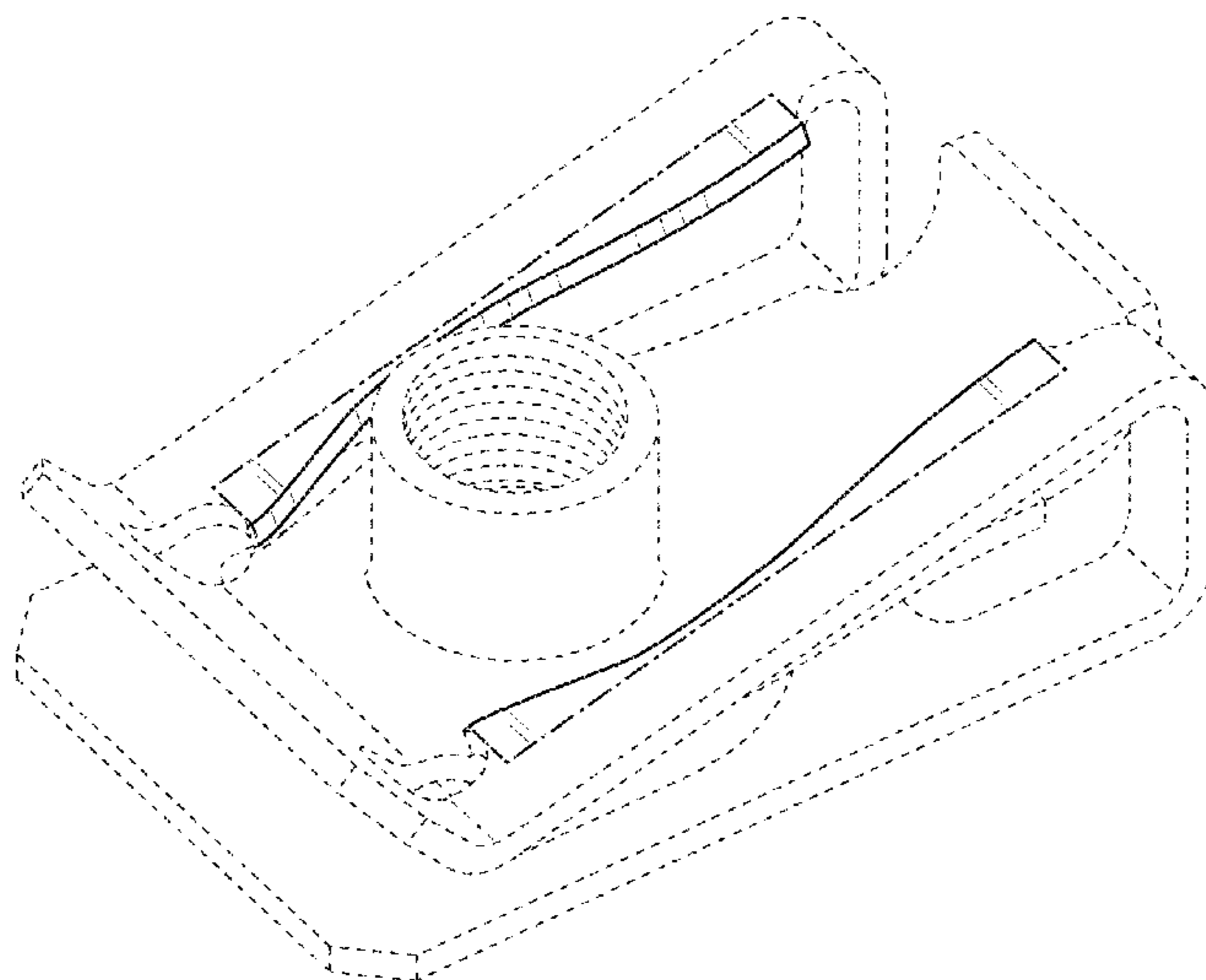
FIG. 8 is a cross-sectional view taken along line 8-8 of FIG. 3;

FIG. 9 is a cross-sectional view taken along line 9-9 of FIG. 5; and,

FIG. 10 is a reference view of usage.

The broken lines shown are included for the purpose of illustrating the unclaimed portions of the nut and form no part of the claimed design. The dot-dash lines define the bounds of the claimed design and form no part thereof.

1 Claim, 8 Drawing Sheets



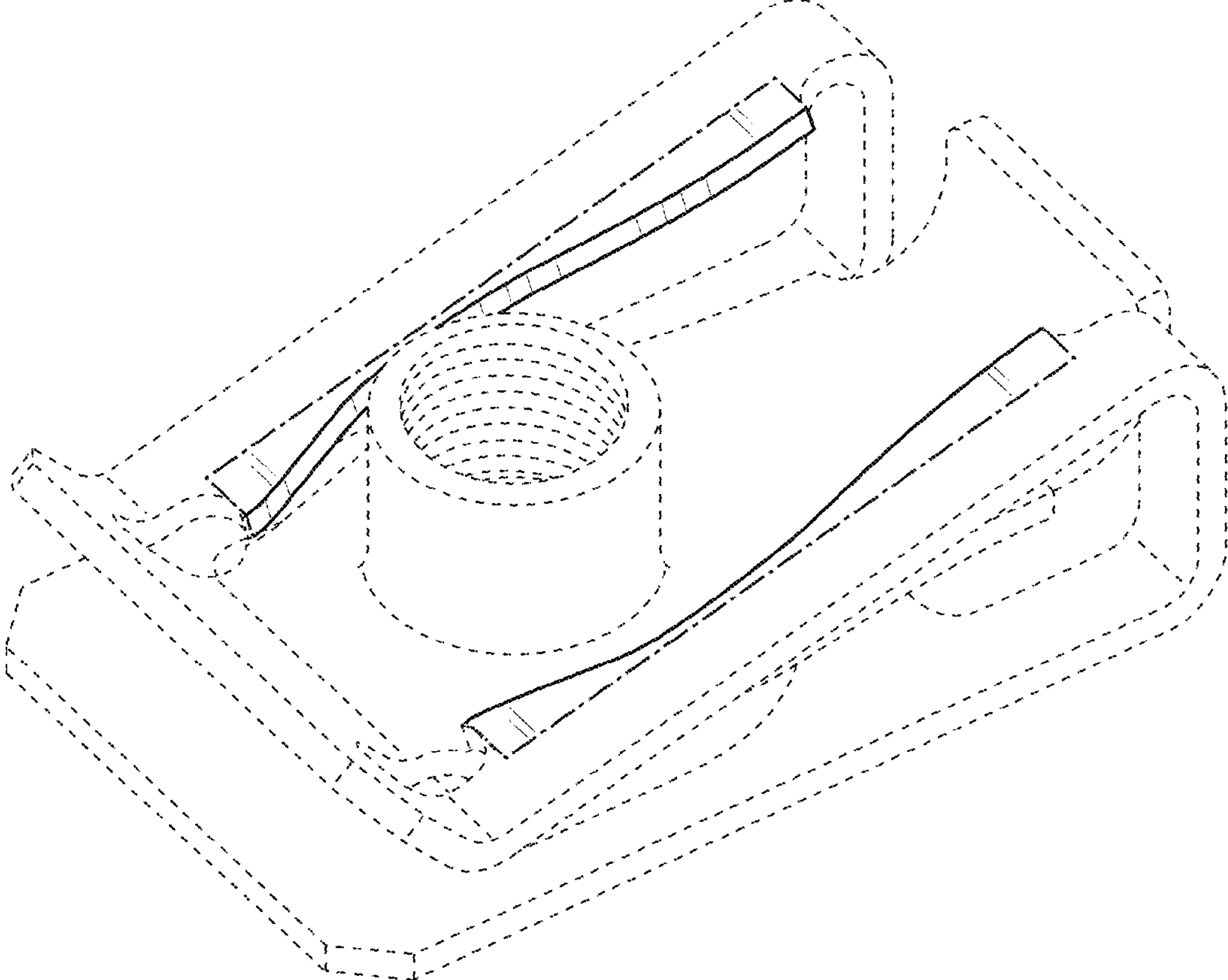


FIG. 1

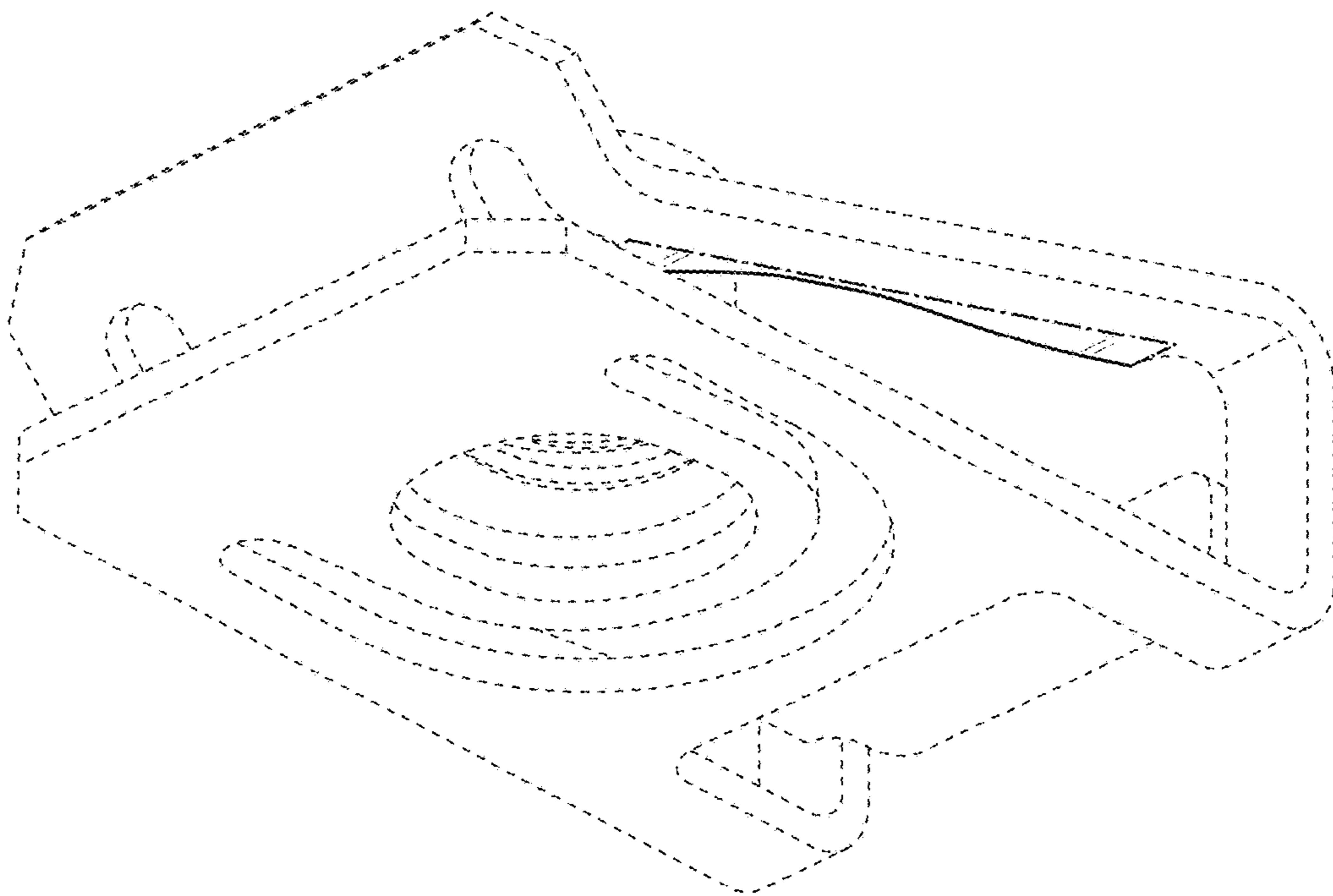


FIG. 2

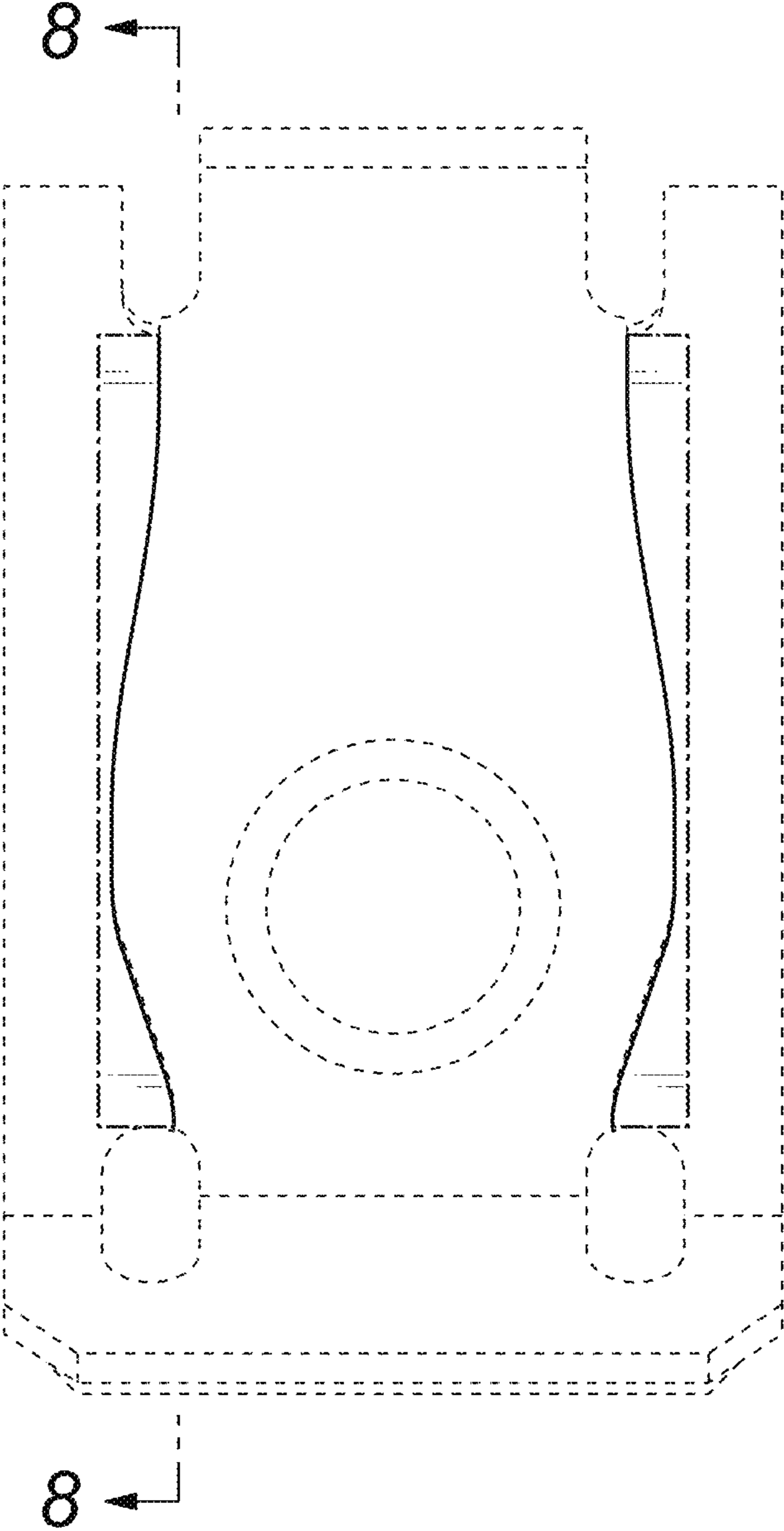


FIG. 3

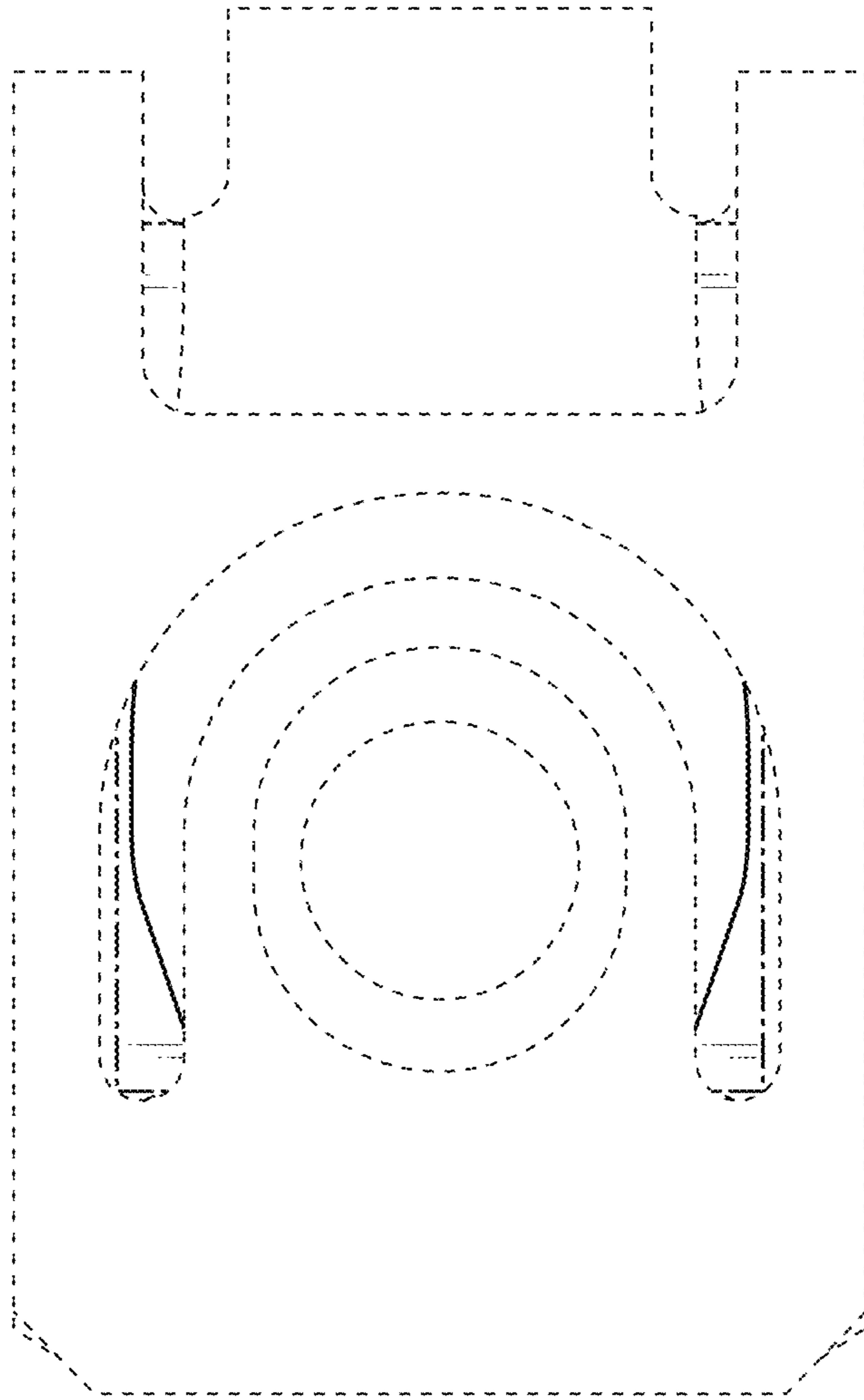


FIG. 4

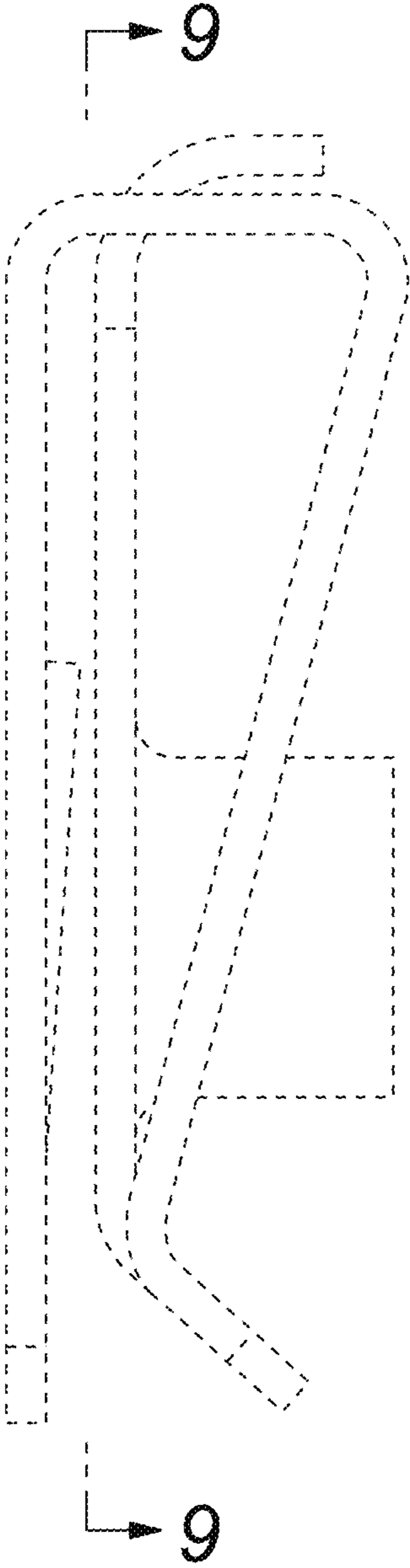


FIG. 5

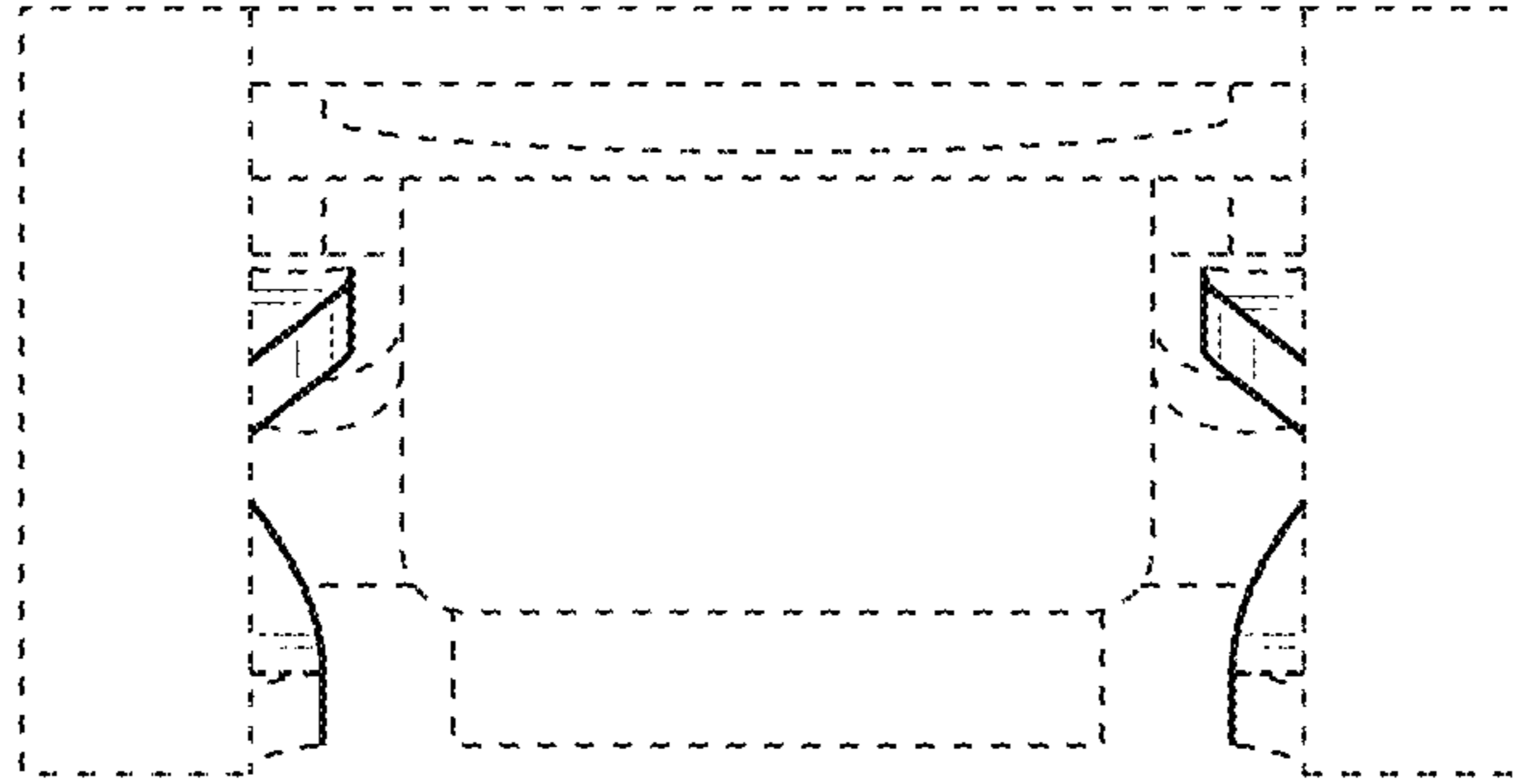


FIG. 6

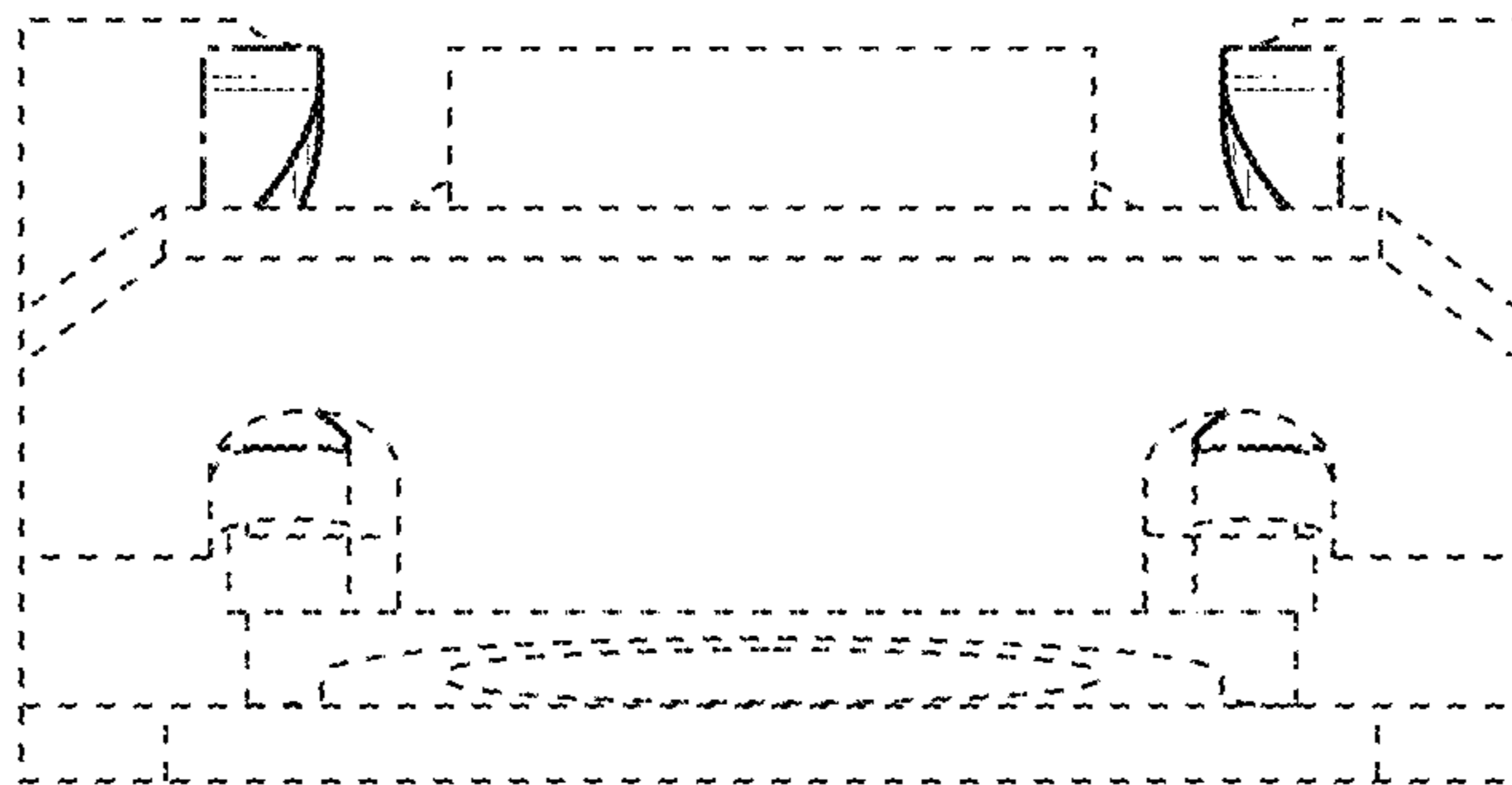


FIG. 7

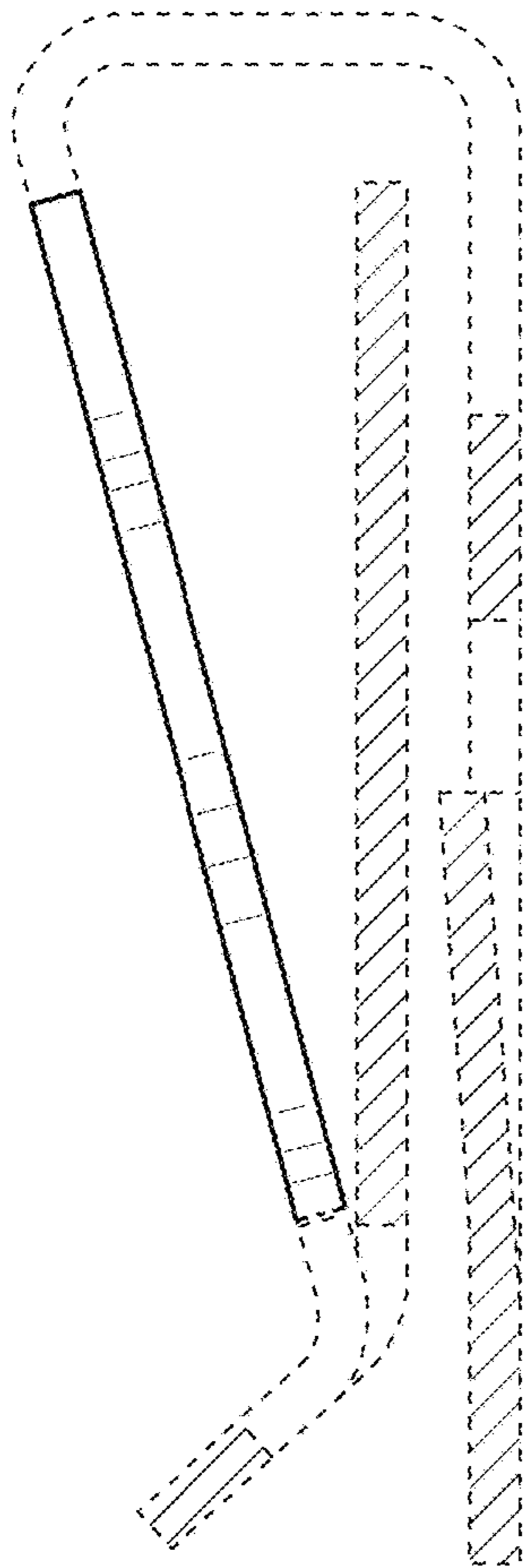


FIG. 8

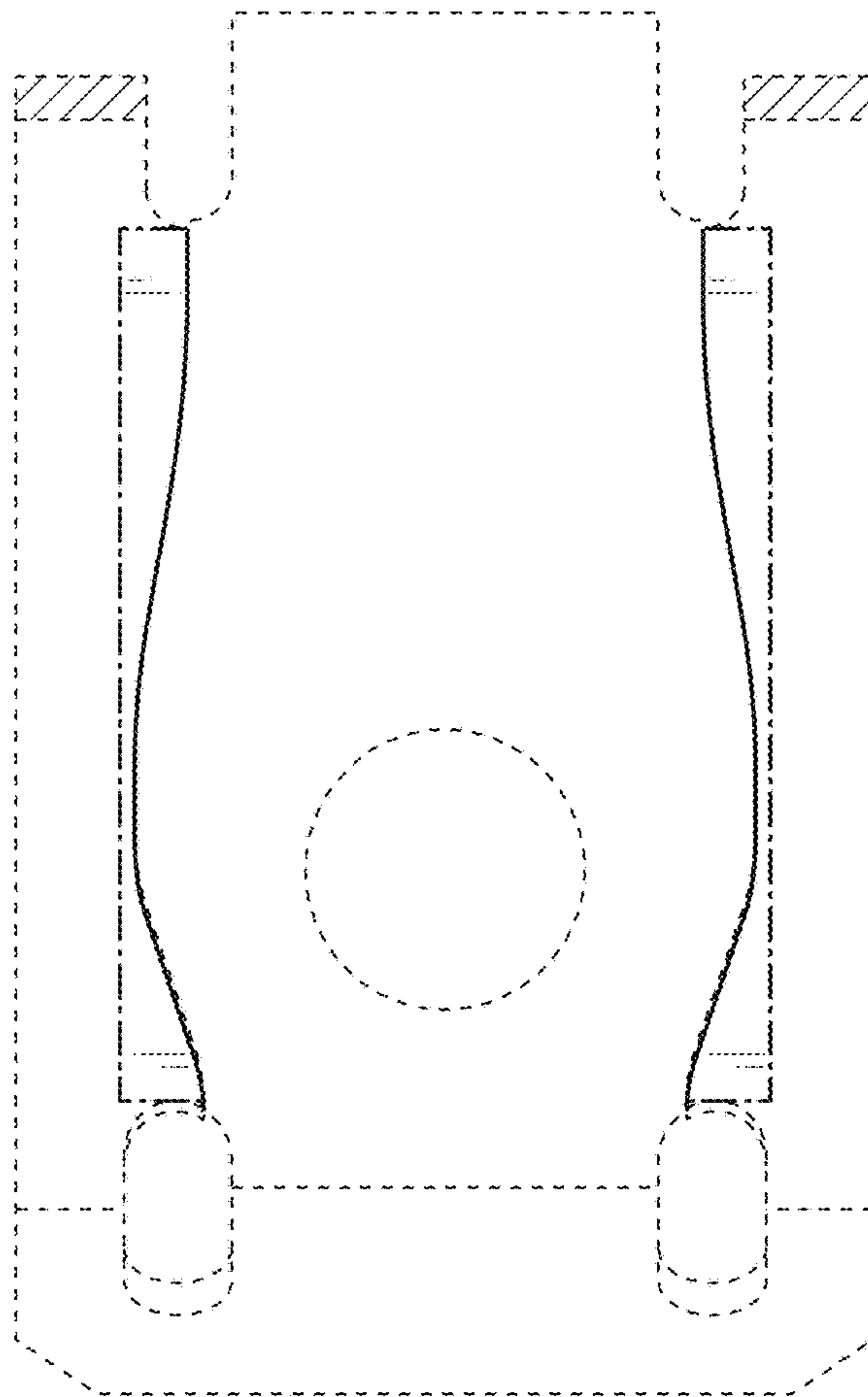


FIG. 9

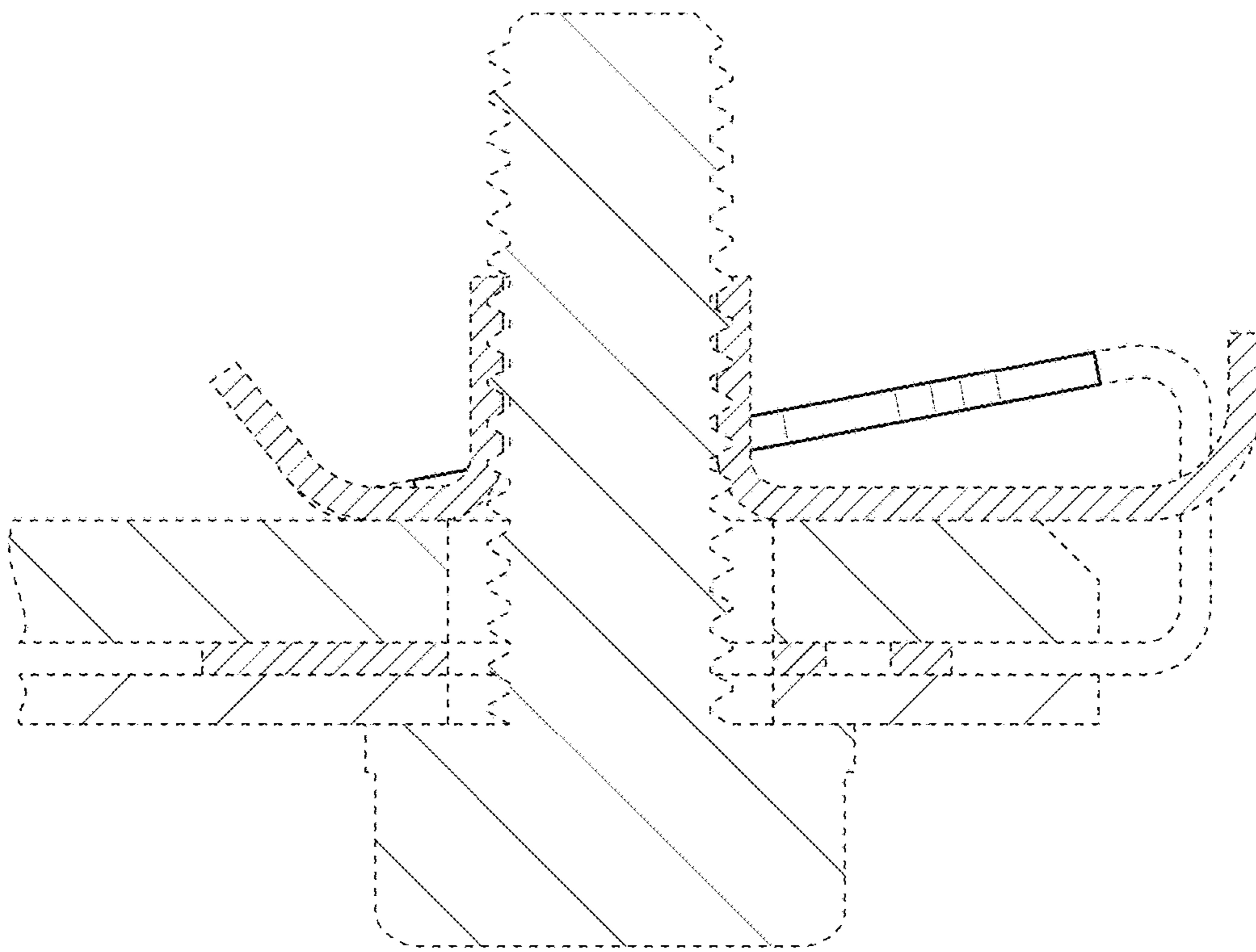


FIG. 10