

US00D869264S

(12) **United States Design Patent**
Codega et al.

(10) **Patent No.:** **US D869,264 S**

(45) **Date of Patent:** **** Dec. 10, 2019**

(54) **GYMNASTICS AND SPORTS APPARATUS
AND EQUIPMENT**

(71) Applicant: **CAMP S.P.A.**, Premana (IT)

(72) Inventors: **Antonio Codega**, Premana (IT);
Matteo Rivadossi, Premana (IT)

(**) Term: **15 Years**

(21) Appl. No.: **35/506,035**

(22) Filed: **Oct. 18, 2018**

(80) **Hague Agreement Data**

Int. Filing Date: **Oct. 18, 2018**

Int. Reg. No.: **DM/103589**

Int. Reg. Date: **Oct. 18, 2018**

Int. Reg. Pub. Date: **Nov. 16, 2018**

(51) **LOC (12) Cl.** **09-06**

(52) **U.S. Cl.**

USPC **D8/356**

(58) **Field of Classification Search**

USPC D21/797; D8/356

CPC A62B 1/06; A62B 1/08; A62B 1/10; A62B
1/14; A62B 1/16; A62B 1/18

See application file for complete search history.

(56) **References Cited**

U.S. PATENT DOCUMENTS

5,329,675 A * 7/1994 McLean F16B 45/02
24/588.11

5,400,869 A * 3/1995 Rocourt A62B 1/14
182/133

D469,023 S * 1/2003 Mah D10/15

D572,573 S * 7/2008 Abels D8/356

D614,936 S * 5/2010 Petzl D8/356

D738,196 S * 9/2015 Petzl D8/356

D761,087 S * 7/2016 Gobbi D8/356

9,533,192 B2 * 1/2017 Maurice A63B 29/02

D788,572 S * 6/2017 Votel D8/356

D808,774 S * 1/2018 Gobbi D8/356

D836,422 S * 12/2018 Gobbi D8/356

D837,635 S * 1/2019 Petzl F16B 45/02
D8/356

D843,814 S * 3/2019 Cariano A62B 1/14
D8/356

D852,609 S * 7/2019 LeBeau A62B 1/14
D8/356

2009/0008188 A1 * 1/2009 Bronnaz A62B 1/14
182/133

2010/0200333 A1 * 8/2010 Maurice A62B 1/14
182/133

* cited by examiner

Primary Examiner — George D. Kirschbaum

Assistant Examiner — Joseph J Kukella

(57) **CLAIM**

The ornamental design for a gymnastics and sports apparatus and equipment, as shown and described.

DESCRIPTION

1. Gymnastics and sports apparatus and equipment

1.1 : Perspective

1.2 : Back

1.3 : Front

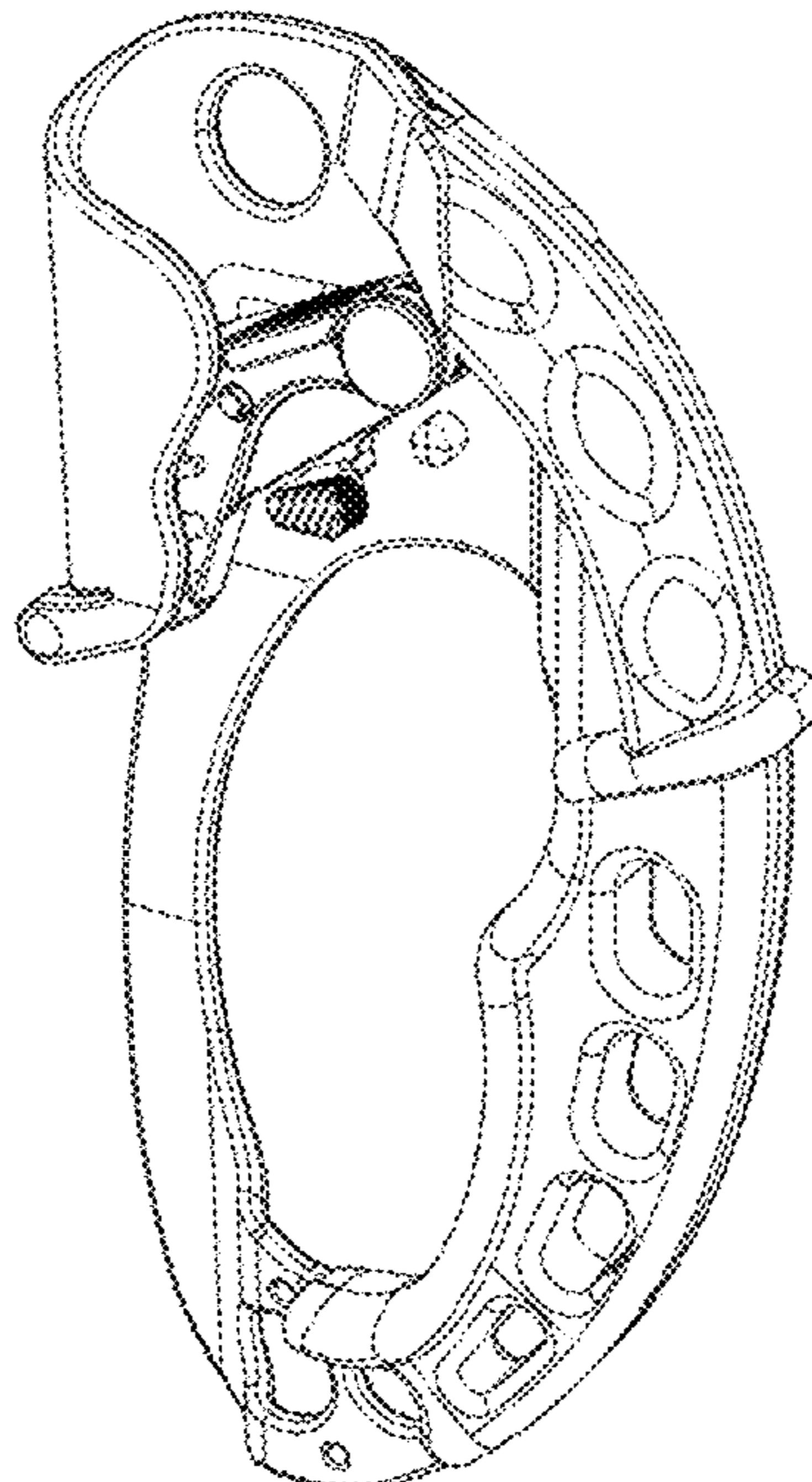
1.4 : Right

1.5 : Left

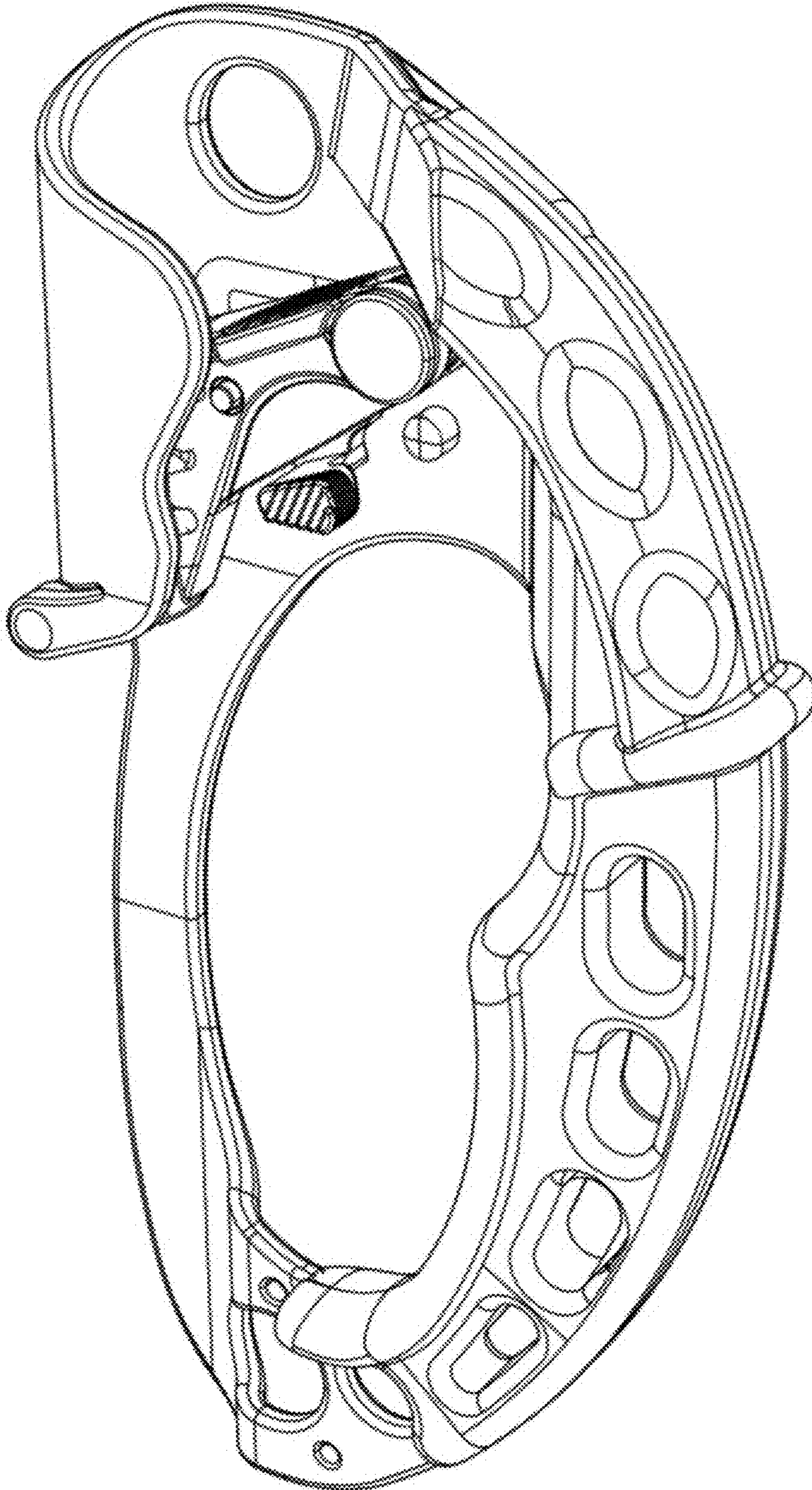
1.6 : Top

1.7 : Bottom

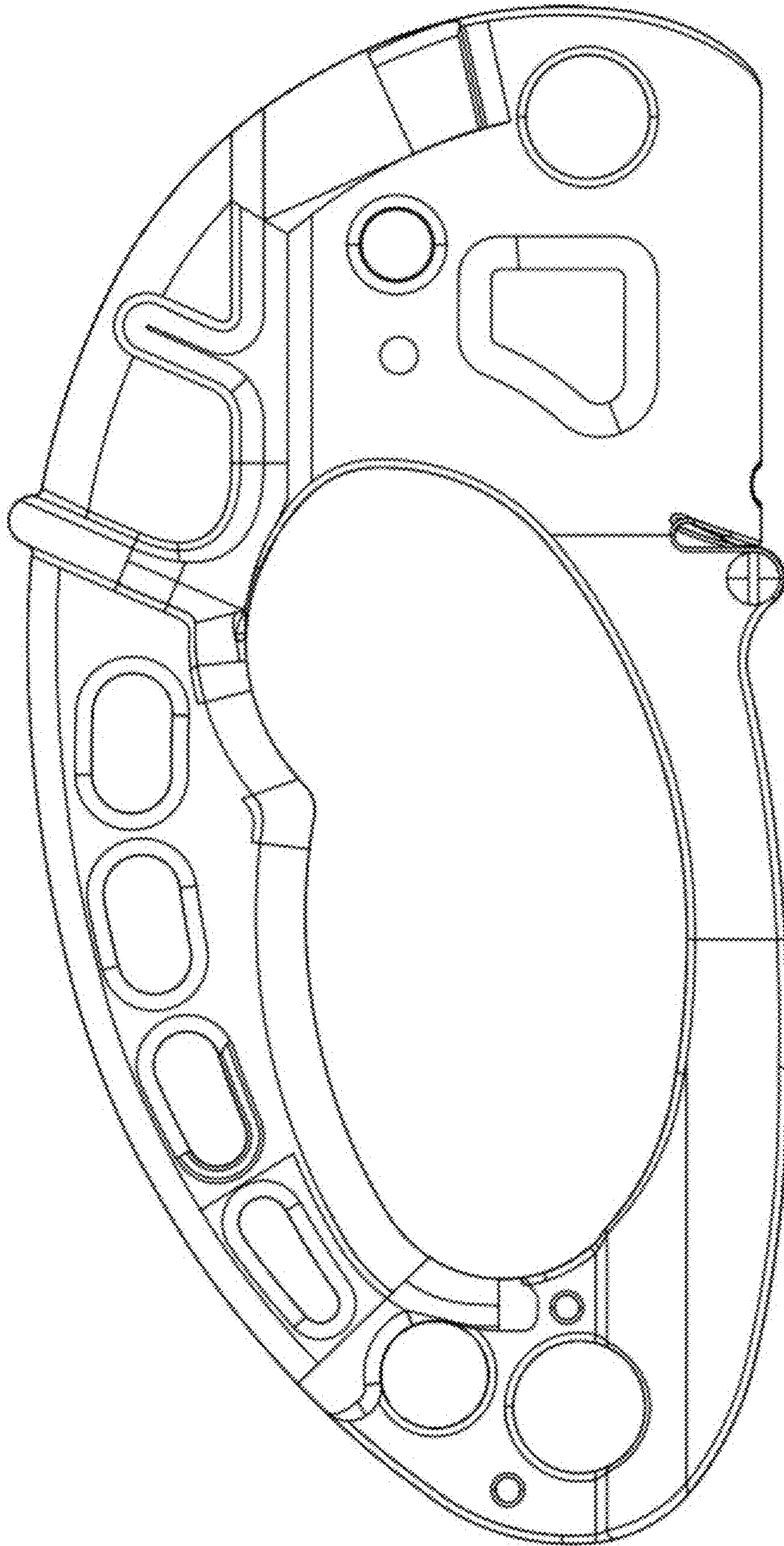
1 Claim, 7 Drawing Sheets



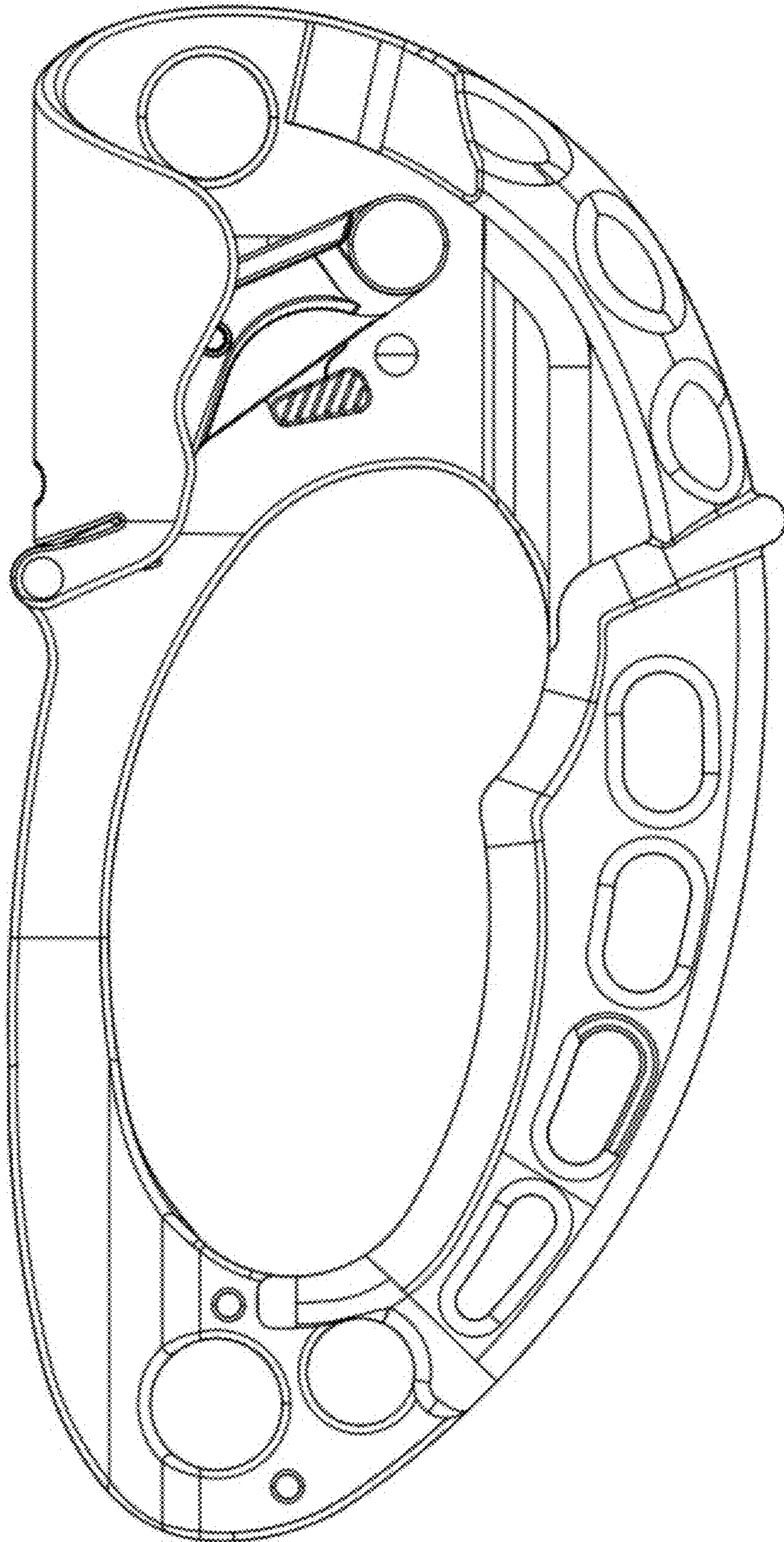
1.1



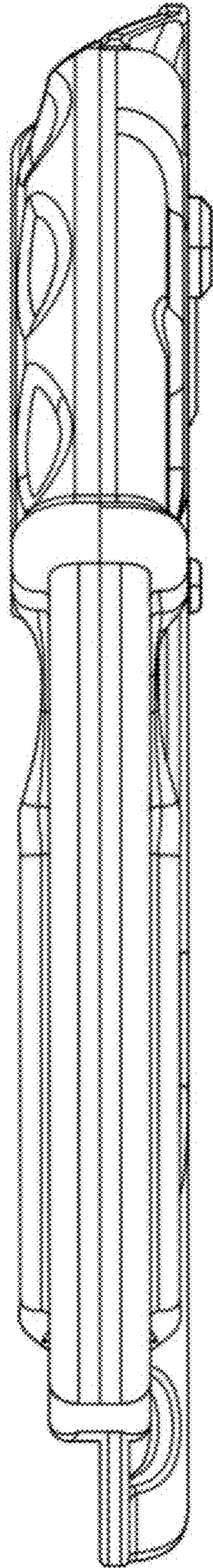
1.2



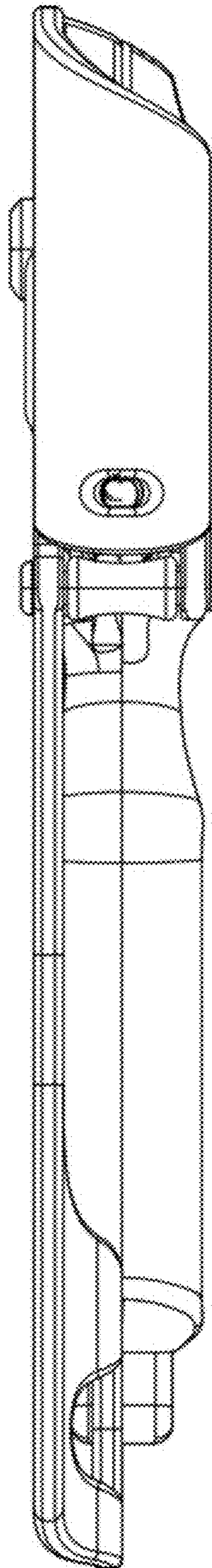
1.3



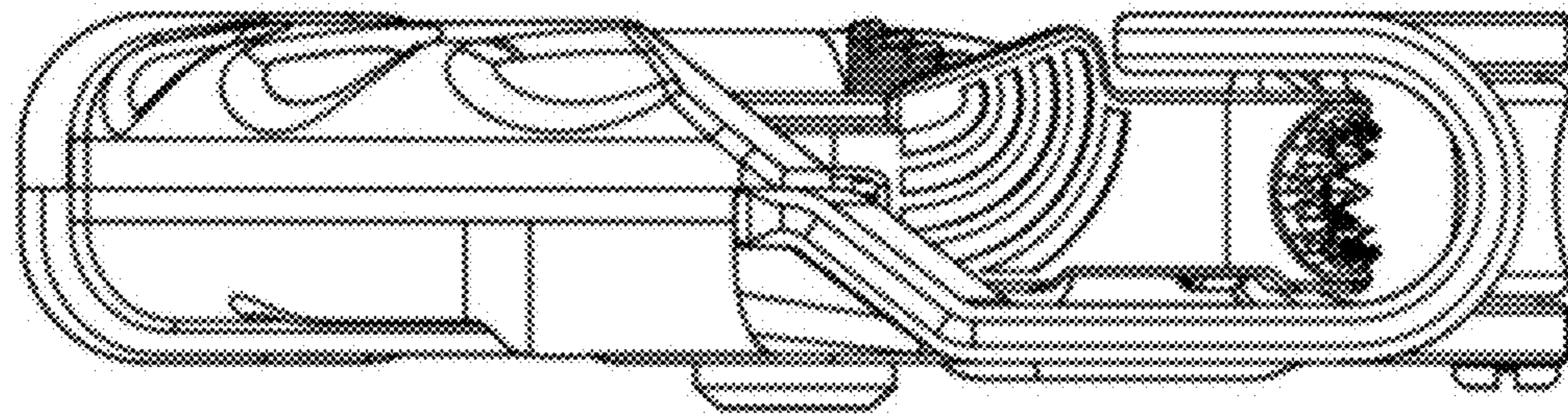
1.4



1.5



1.6



1.7

