



US00D869262S

(12) **United States Design Patent**  
**Davis**

(10) **Patent No.:** **US D869,262 S**

(45) **Date of Patent:** **\*\* Dec. 10, 2019**

(54) **BRACKET**

(71) Applicant: **Gripple Limited**, Sheffield (GB)

(72) Inventor: **Simon Davis**, Sheffield (GB)

(73) Assignee: **GRIPPLE LIMITED** (GB)

(\*\*) Term: **15 Years**

(21) Appl. No.: **29/634,136**

(22) Filed: **Jan. 18, 2018**

(30) **Foreign Application Priority Data**

Jul. 20, 2017 (EM) ..... 004112811-0001

(51) **LOC (12) Cl.** ..... **08-08**

(52) **U.S. Cl.**  
USPC ..... **D8/349**

(58) **Field of Classification Search**

USPC .... D6/672, 684, 680, 683.1, 703.5; D8/349,  
D8/354, 355, 330, 331, 333, 380, 382;  
D13/154, 133, 129, 199; D22/125;  
D25/119, 164, 199, 139, 141; D26/138,  
D26/76, 78, 79, 80

CPC .. F16C 2314/72; F16C 29/0623; F16C 29/06;  
F16C 29/0609; F16C 29/005; F16C  
29/008; F16C 29/04; F16C 29/0657;  
F16C 29/004; F16C 29/12; A47B 1/10;  
A47B 88/493; A47B 88/423; A47B  
2088/4235; B44C 5/02

See application file for complete search history.

(56) **References Cited**

U.S. PATENT DOCUMENTS

D373,700 S \* 9/1996 Theodorou ..... D6/580  
5,797,213 A \* 8/1998 Frick ..... A01K 97/20  
43/54.1

D399,863 S \* 10/1998 LaCicero ..... D16/242  
D586,523 S \* 2/2009 Burns ..... D34/27  
D617,175 S \* 6/2010 Anderson ..... D8/355  
D632,160 S \* 2/2011 Ketchersid ..... D8/354  
D739,208 S \* 9/2015 Shirley ..... D8/349  
D766,701 S \* 9/2016 Snell ..... D8/349  
D769,698 S \* 10/2016 Oltrogge ..... D8/349  
D835,492 S \* 12/2018 Mochizuki ..... D8/349

\* cited by examiner

*Primary Examiner* — Mark A Goodwin

*Assistant Examiner* — Benjamin M Weeks

(74) *Attorney, Agent, or Firm* — Clark Hill PLC; James R. Foley

(57) **CLAIM**

The ornamental design of a bracket, as shown and described.

**DESCRIPTION**

FIG. 1 is a perspective view of the bracket with the tracks in the folded position;

FIG. 2 is a perspective view of the underside of the bracket with the tracks in the folded position;

FIG. 3 is a perspective view of the underside of the bracket with the tracks in the unfolded position;

FIG. 4 is a perspective view of the bracket with the tracks in the unfolded position;

FIG. 5 is a right side view of the bracket with the tracks in the unfolded position;

FIG. 6 is a top view of the bracket;

FIG. 7 is a bottom view of the bracket;

FIG. 8 front view of the bracket with the tracks in the unfolded position; and,

FIG. 9 left side view of the bracket with the tracks in the unfolded position.

**1 Claim, 8 Drawing Sheets**

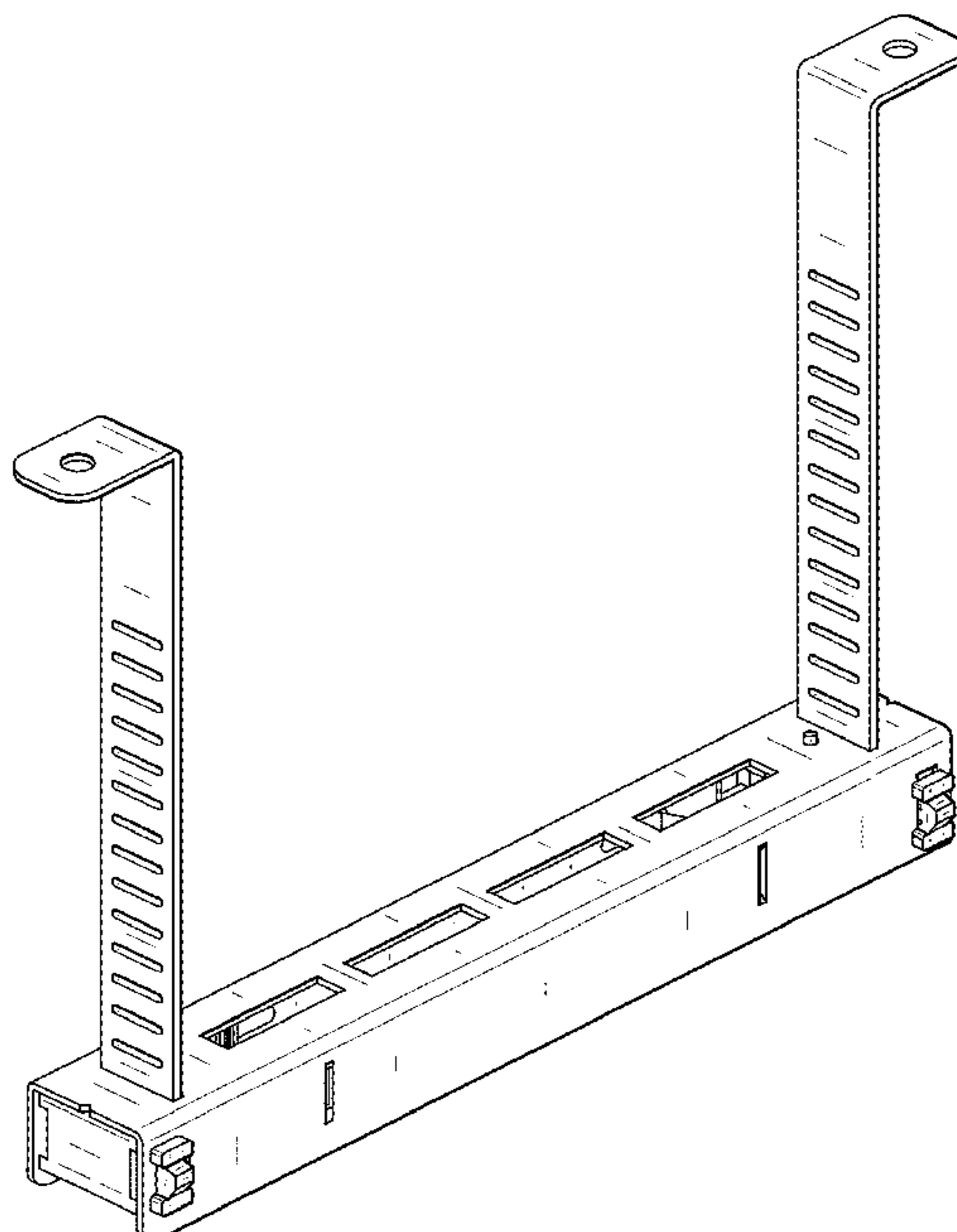


FIG. 1

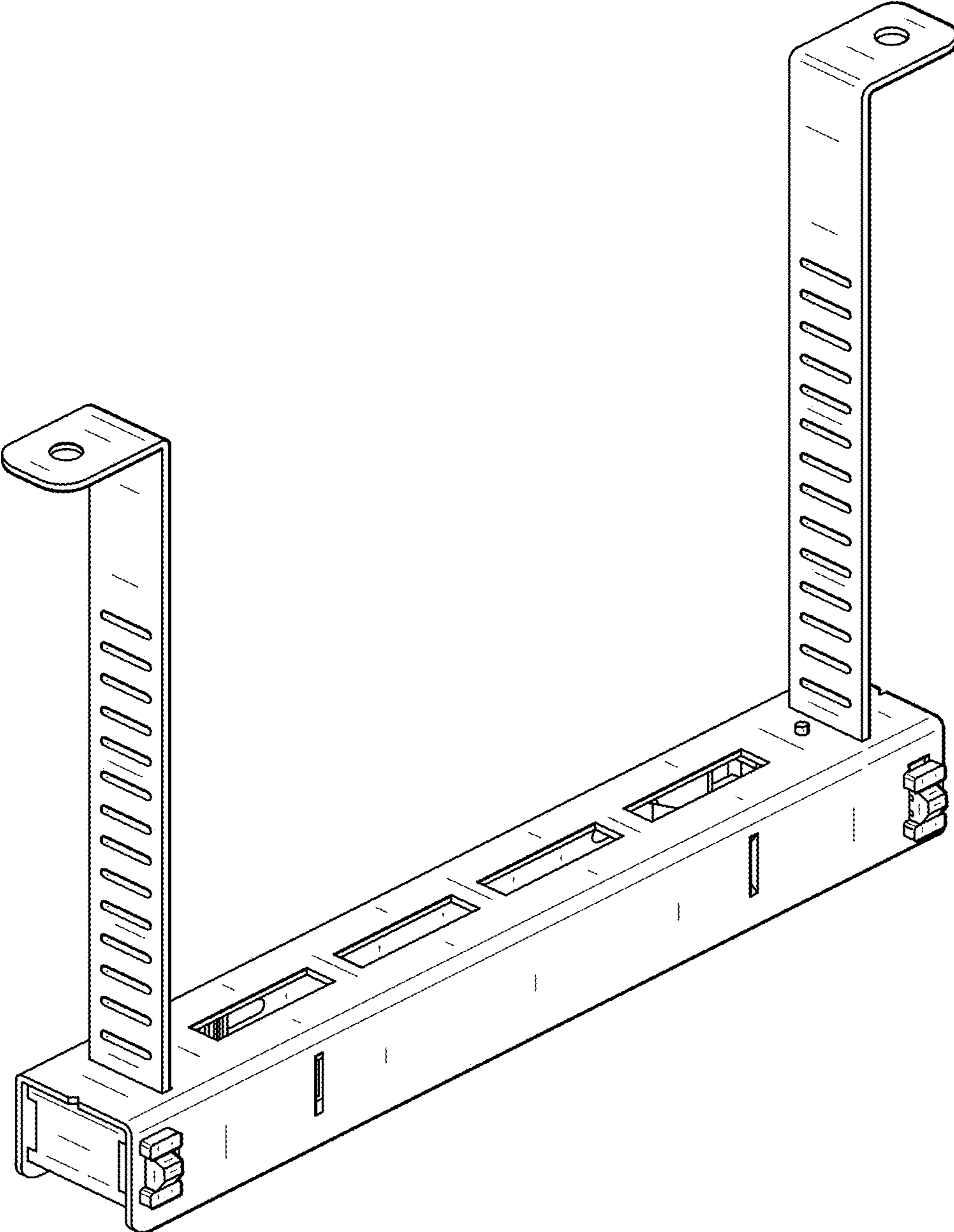


FIG. 2

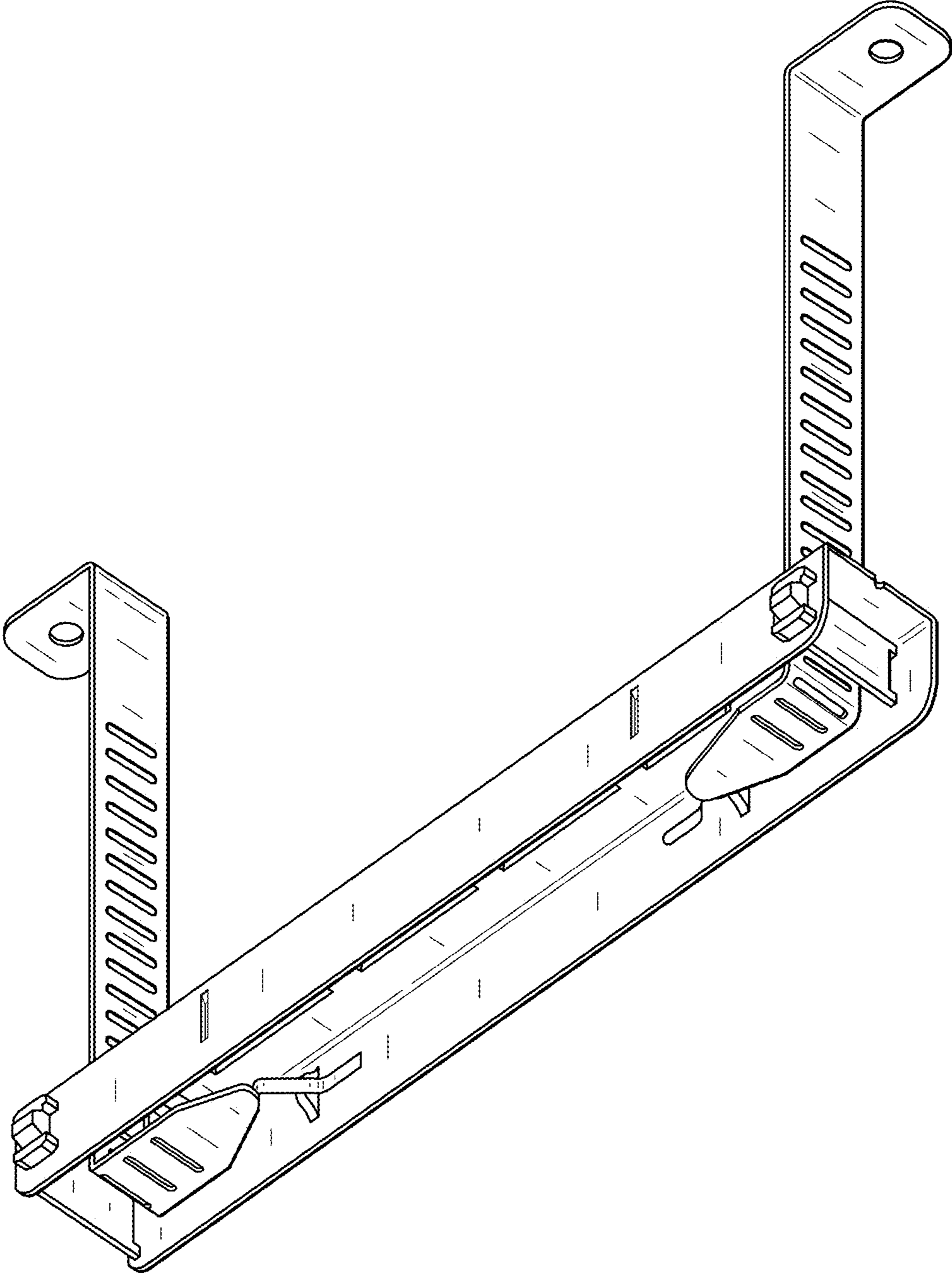


FIG. 3

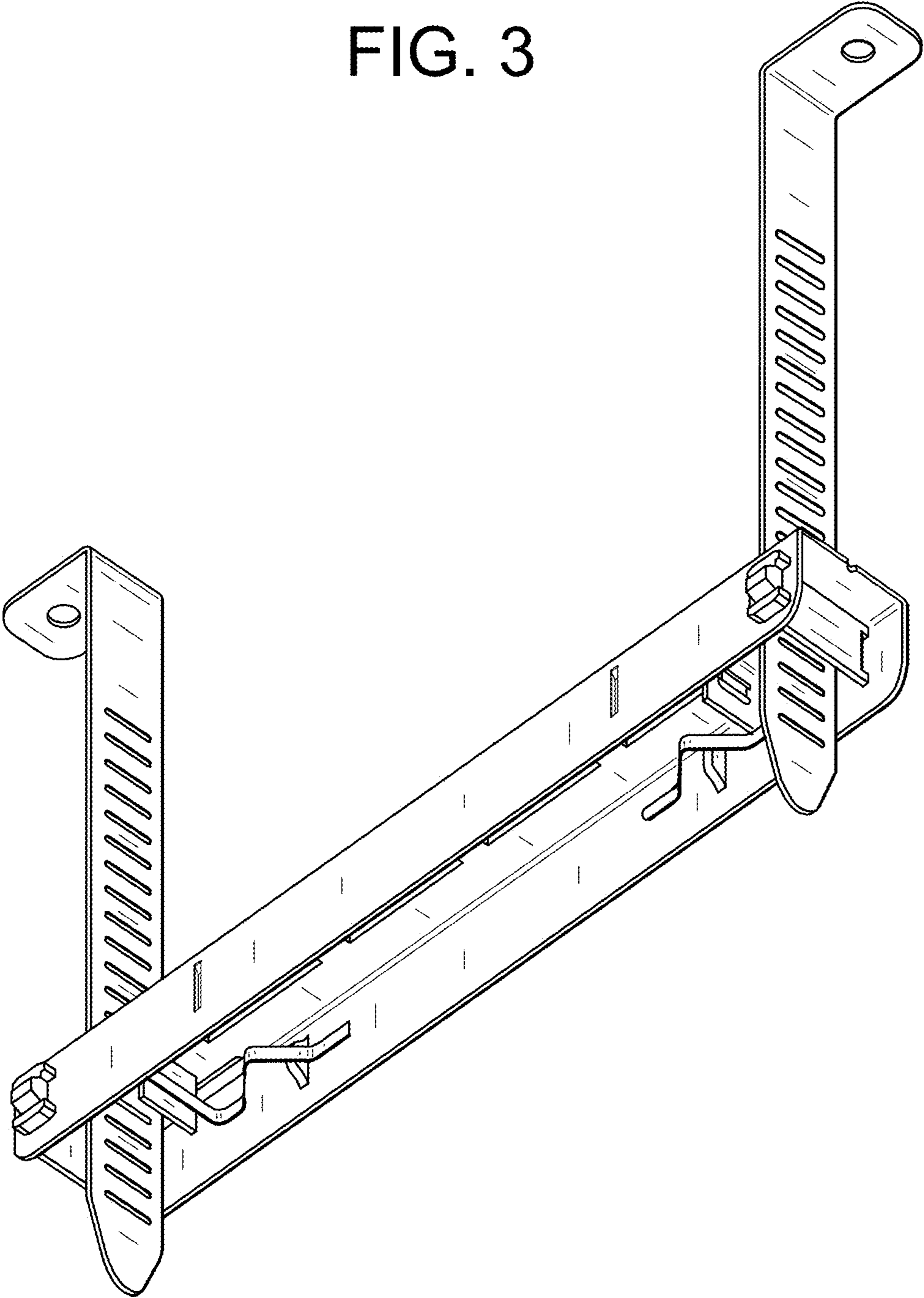


FIG. 4

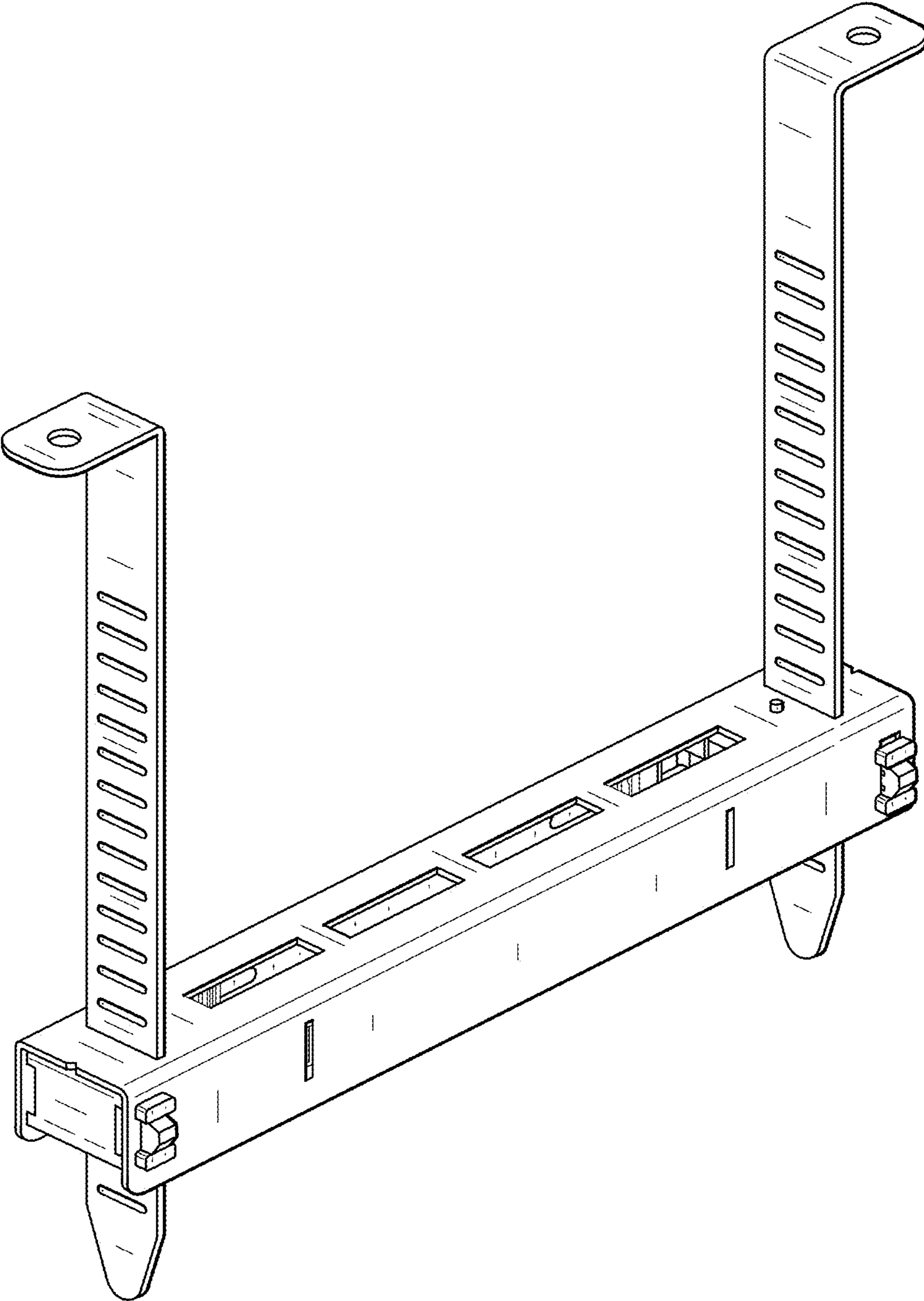


FIG. 5

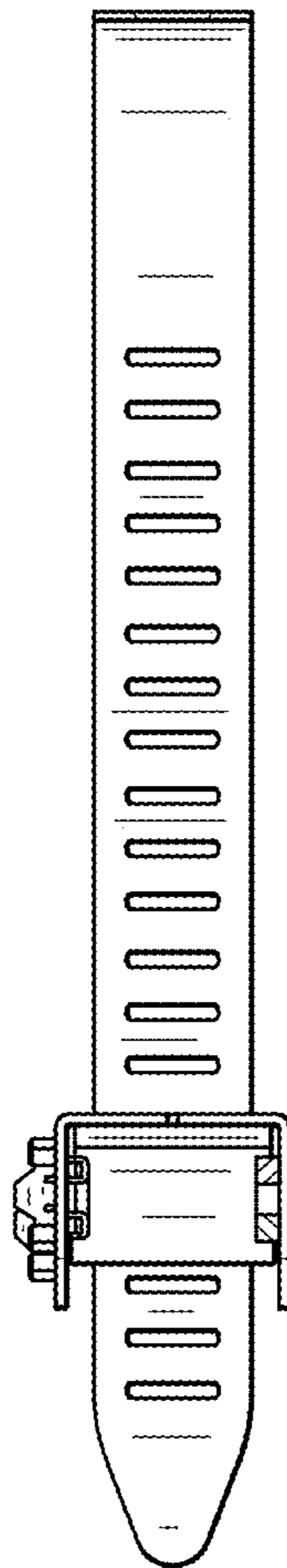


FIG. 6

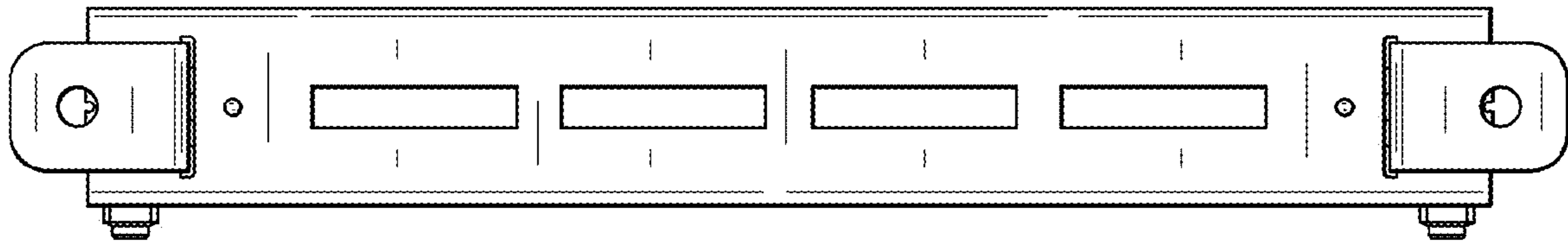


FIG. 7

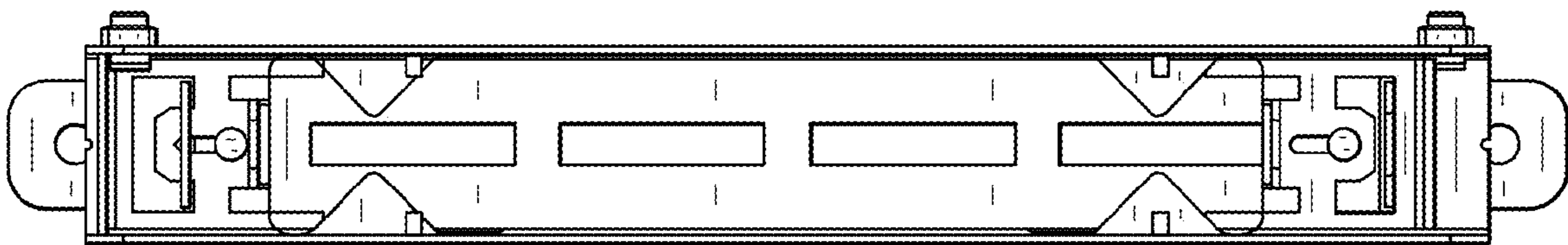


FIG. 8

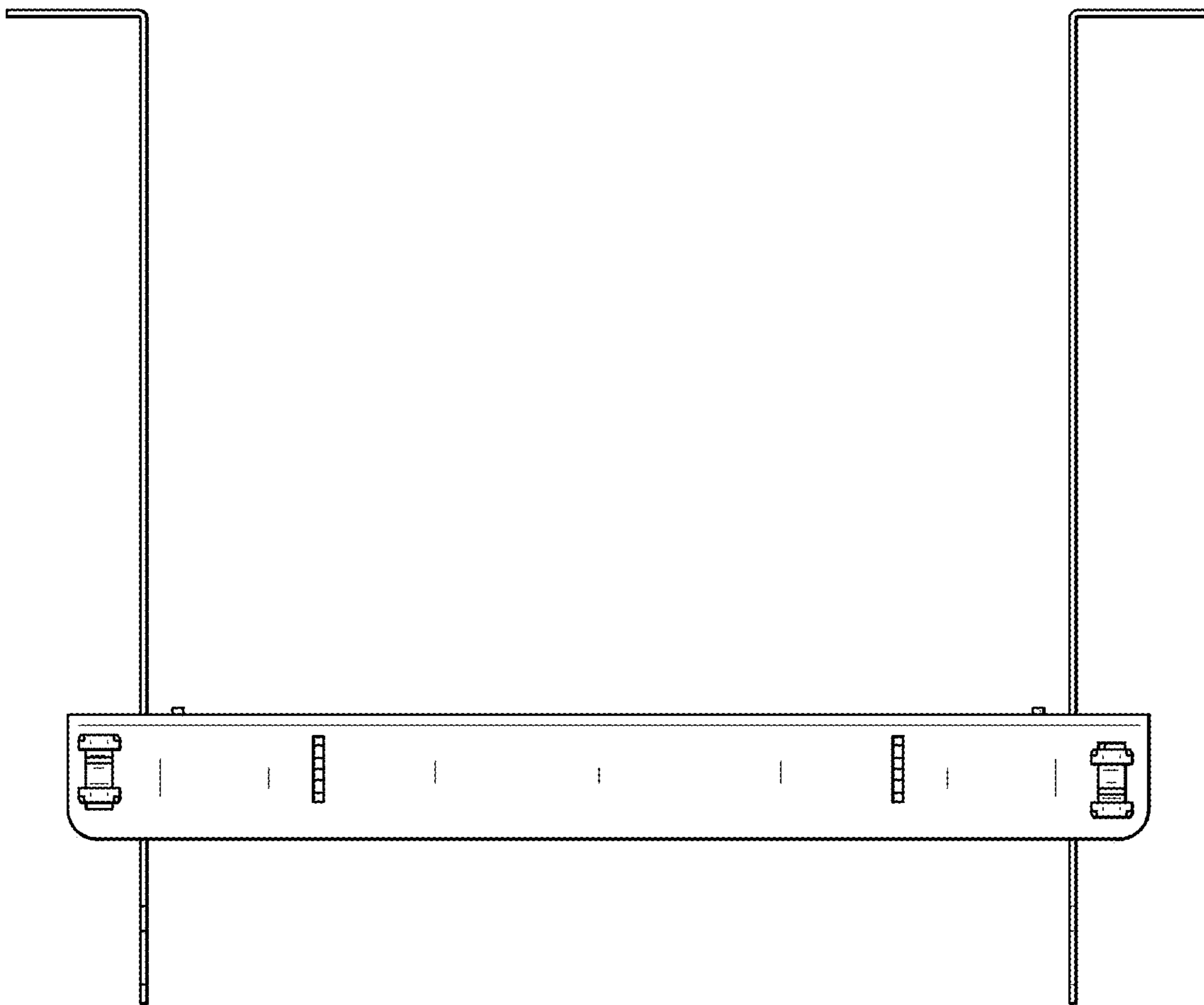




FIG. 9

