



US00D869257S

(12) **United States Design Patent** (10) **Patent No.:** **US D869,257 S**
Williams et al. (45) **Date of Patent:** **** Dec. 10, 2019**

(54) **MULTI FUNCTION HAMMER**
(71) Applicants: **Danny L. Williams**, Lincoln, AL (US);
Loretta B. Williams, Lincoln, AL (US)
(72) Inventors: **Danny L. Williams**, Lincoln, AL (US);
Loretta B. Williams, Lincoln, AL (US)

(**) Term: **15 Years**
(21) Appl. No.: **29/575,168**

(22) Filed: **Aug. 23, 2016**

(51) **LOC (12) Cl.** **08-02**

(52) **U.S. Cl.**
USPC **D8/81**; D8/77

(58) **Field of Classification Search**
USPC D8/14, 44, 75, 76, 77, 78, 79, 80, 81,
D8/105, 88, 89
CPC ... B25D 1/00; B25D 1/02; B25D 1/04; B25D
1/045; B25D 1/06; B25D 1/12; B62D
53/0857; B25B 25/00

See application file for complete search history.

(56) **References Cited**

U.S. PATENT DOCUMENTS

103,007 A 5/1870 Bibber
3,088,506 A * 5/1963 Bianchini B25D 1/02
81/19
3,456,330 A * 7/1969 Norcross B25D 1/02
164/98
3,644,951 A 2/1972 Colburn
3,843,981 A 10/1974 Verest
3,942,567 A * 3/1976 Richilano B22D 19/00
81/19

4,050,107 A 9/1977 Parma
D246,755 S * 12/1977 Root D7/682
D285,284 S * 8/1986 Blomqvist D8/77
5,201,559 A 4/1993 Boring et al.
5,326,144 A 7/1994 Forcier
5,344,201 A 9/1994 Offin
D490,679 S * 6/2004 Hung D8/77
D579,298 S * 10/2008 Moxey D8/77
D618,977 S * 7/2010 Ruhland D8/77
D651,886 S * 1/2012 Clement D8/77
D653,094 S * 1/2012 Onello D8/77
D653,095 S * 1/2012 Onello D8/77
D778,136 S * 2/2017 Chen D8/77
2007/0096473 A1 5/2007 Ortega

* cited by examiner

Primary Examiner — Philip S Hyder
(74) *Attorney, Agent, or Firm* — Cramer Patent & Design,
PLLC; Aaron R. Cramer

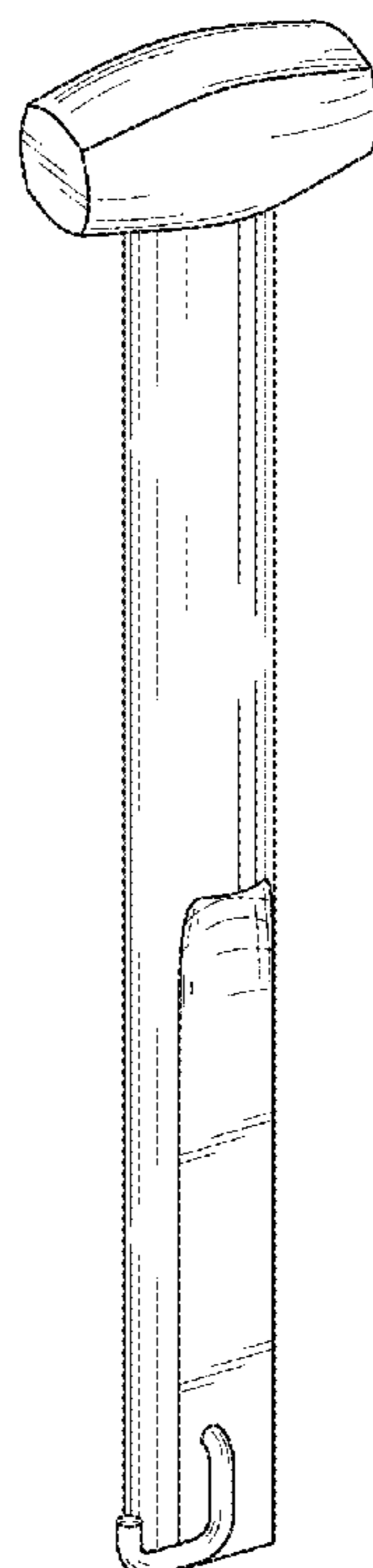
(57) **CLAIM**

The ornamental design for a multi function hammer, as shown and described.

DESCRIPTION

FIG. 1 is a perspective top front view of a multi function hammer, showing our design;
FIG. 2 is a perspective bottom rear view thereof;
FIG. 3 is a left side elevation view thereof;
FIG. 4 is a right side elevation view thereof;
FIG. 5 is a rear side elevation view thereof;
FIG. 6 is a front side elevation view thereof;
FIG. 7 is a top side plan view thereof; and,
FIG. 8 is a bottom side plan view thereof.

1 Claim, 8 Drawing Sheets



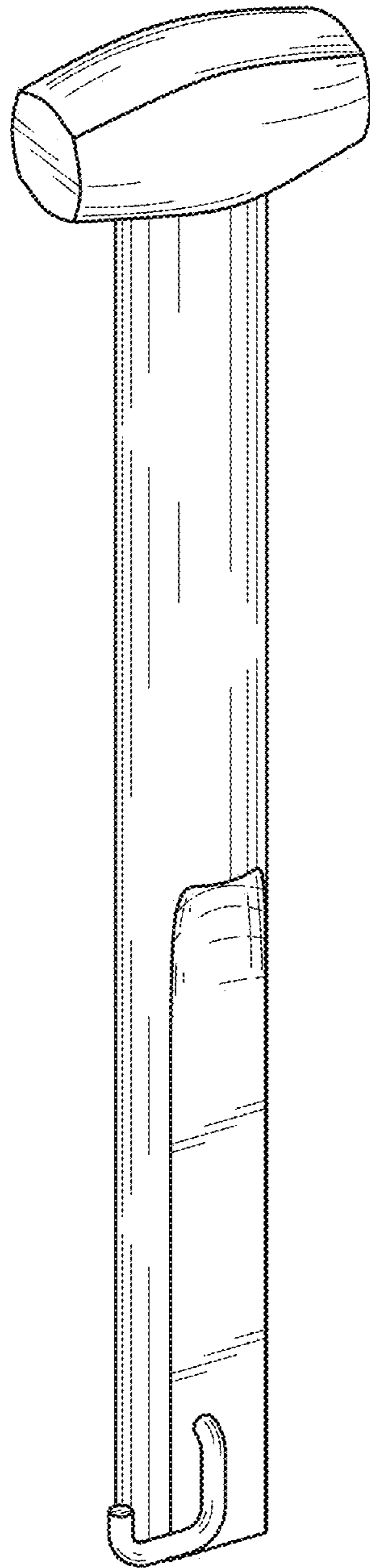


FIG. 1

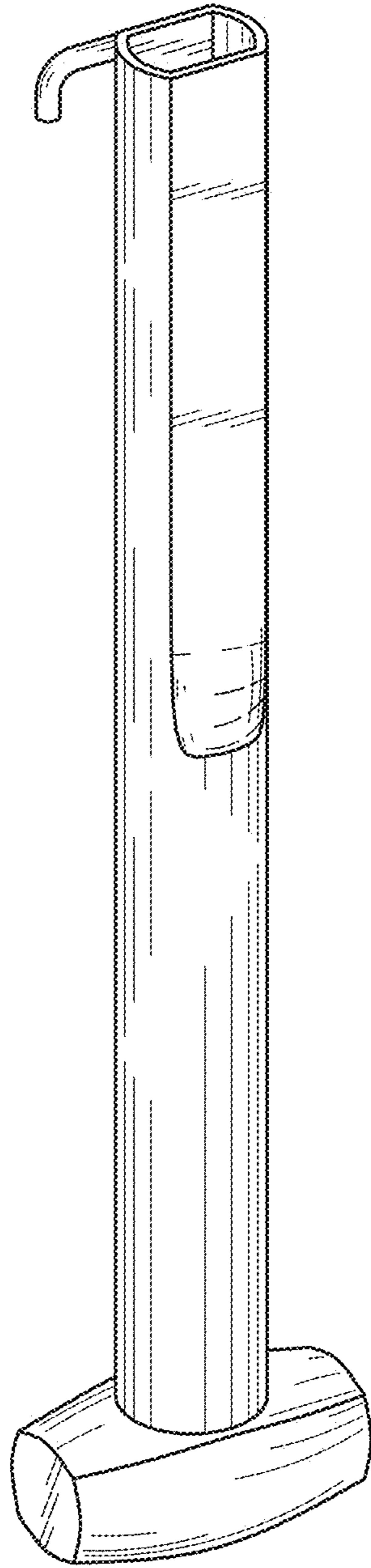


FIG. 2

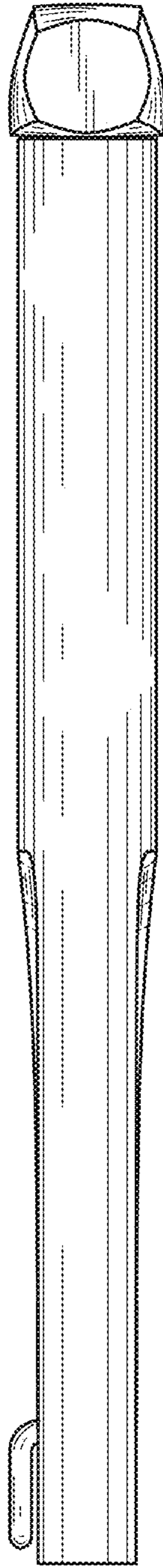


FIG. 3

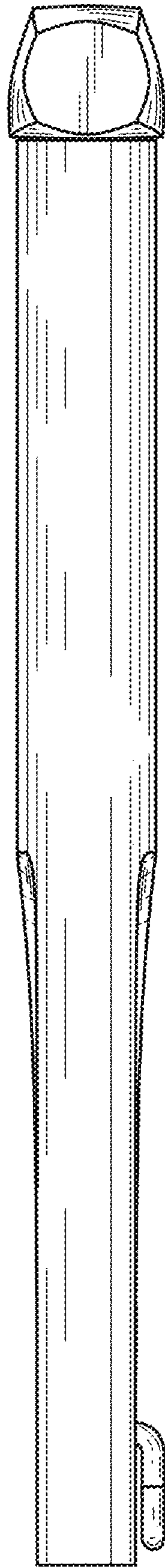


FIG. 4

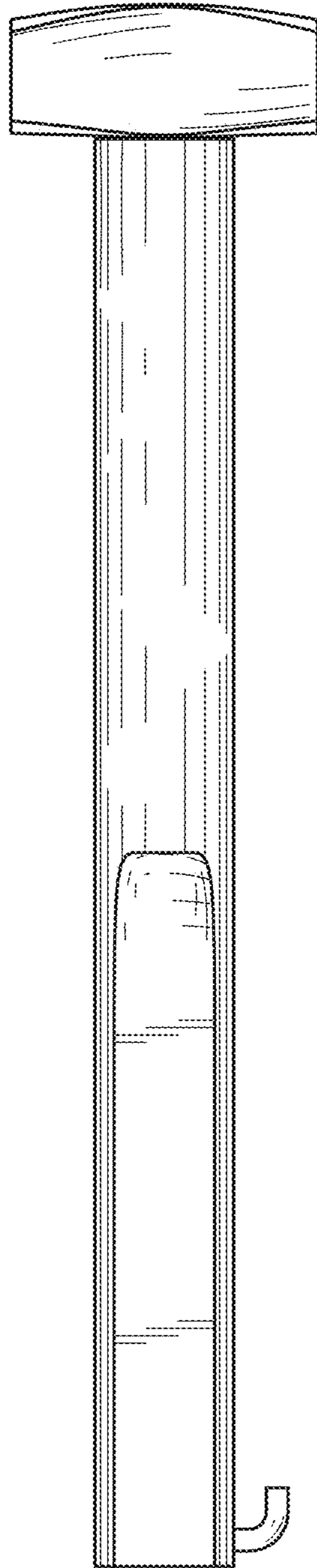


FIG. 5

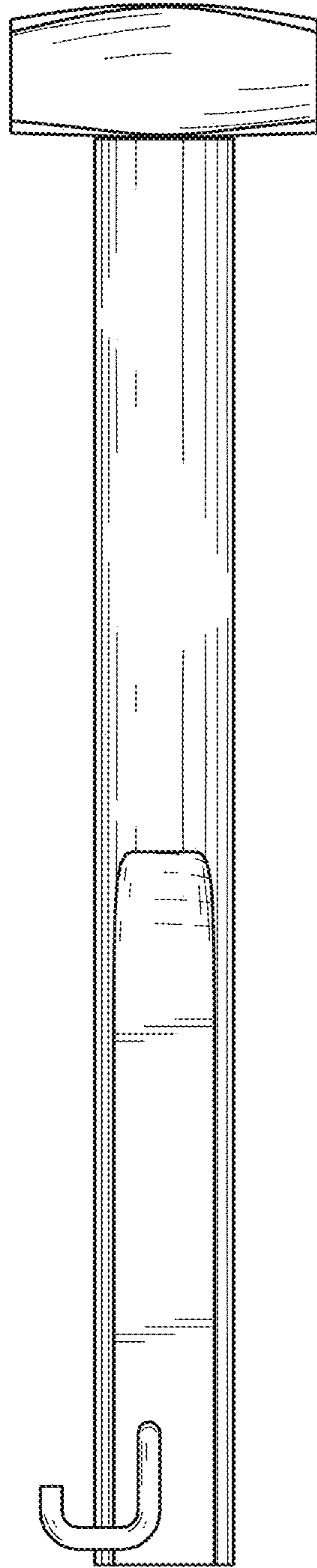


FIG. 6

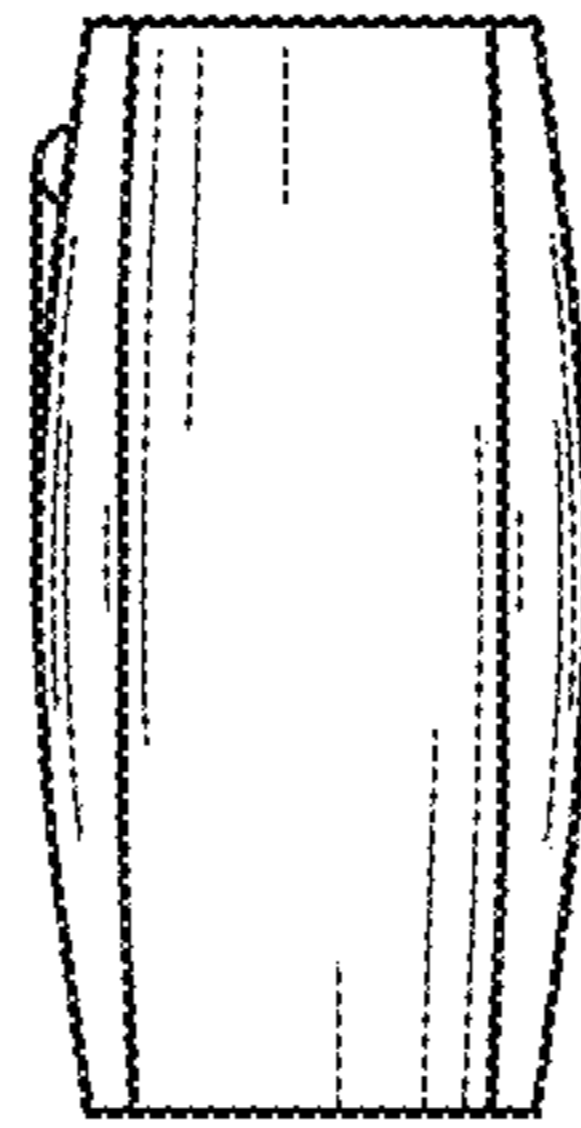


FIG. 7

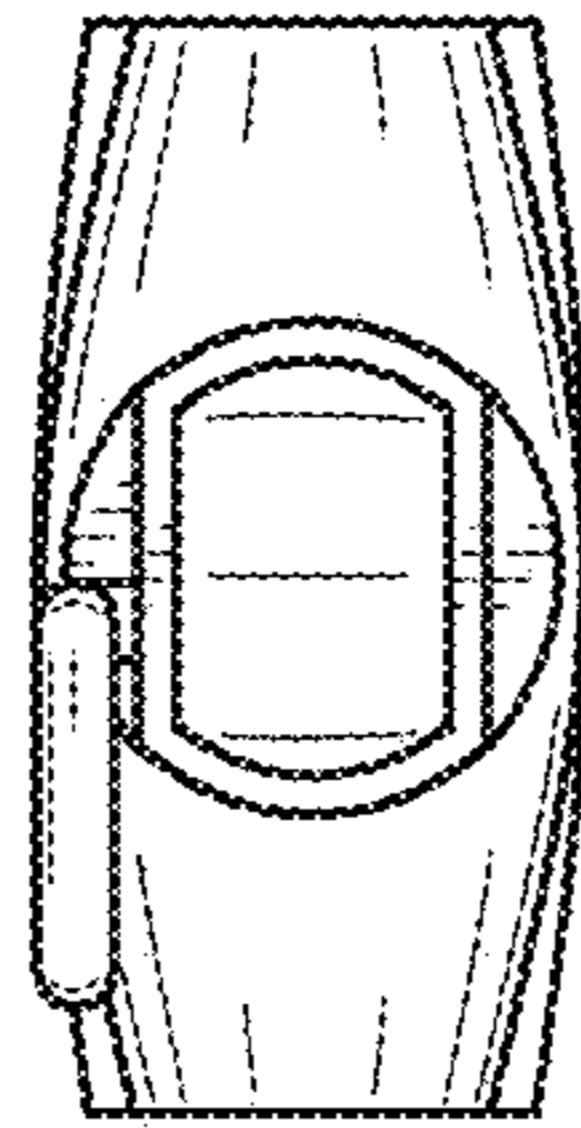


FIG. 8