

US00D869256S

(12) **United States Design Patent**
Kedziora

(10) **Patent No.:** **US D869,256 S**

(45) **Date of Patent:** **** Dec. 10, 2019**

(54) **EDGE TOOL SHARPENING GUIDE**

8,388,413 B1 * 3/2013 Dovel B24B 41/066
451/371

(71) Applicant: **Woodpeckers, LLC**, Strongsville, OH
(US)

8,790,162 B1 * 7/2014 Dovel B24B 3/36
451/45

(72) Inventor: **Matthew D. Kedziora**, Seven Hills,
OH (US)

D738,234 S * 9/2015 Larson D10/62
D842,138 S * 3/2019 Williams D10/65

(73) Assignee: **Woodpeckers, LLC**, Strongsville, OH
(US)

(**) Term: **15 Years**

(21) Appl. No.: **29/645,020**

(22) Filed: **Apr. 23, 2018**

(51) **LOC (12) Cl.** **08-05**

(52) **U.S. Cl.**
USPC **D8/71**

(58) **Field of Classification Search**
USPC D8/34, 35, 63, 71, 91, 92, 93; D10/65
CPC B24D 15/06; B24D 15/00
See application file for complete search history.

(56) **References Cited**

U.S. PATENT DOCUMENTS

293,497	A *	2/1884	Nash	B43L 7/0275
					33/474
760,031	A *	5/1904	Smith	B43L 7/14
					33/480
1,726,205	A *	8/1929	Zeik	E06B 3/984
					52/657
D116,928	S *	10/1939	Dowd	D10/62
D247,877	S *	5/1978	Hettinga	D10/62
D278,159	S *	3/1985	Bellanca	281/38
5,199,225	A *	4/1993	Esposito	B24D 15/06
					451/438
D345,514	S *	3/1994	Donnelly	D10/64
D395,249	S *	6/1998	Lindstrom	D10/65
D540,701	S *	4/2007	Miller	D10/64

OTHER PUBLICATIONS

Woodpeckers, Edge Tool Sharpening Gauge—OneTIME Tool®, Feb. 13, 2018, YouTube, <<https://www.youtube.com/watch?v=Wkfjt6Kv3ck>>, Video (Year: 2018).*

* cited by examiner

Primary Examiner — Keli L Hill

Assistant Examiner — Harold E Blackwell, II

(74) *Attorney, Agent, or Firm* — Sand, Sebolt & Wernow Co., LPA

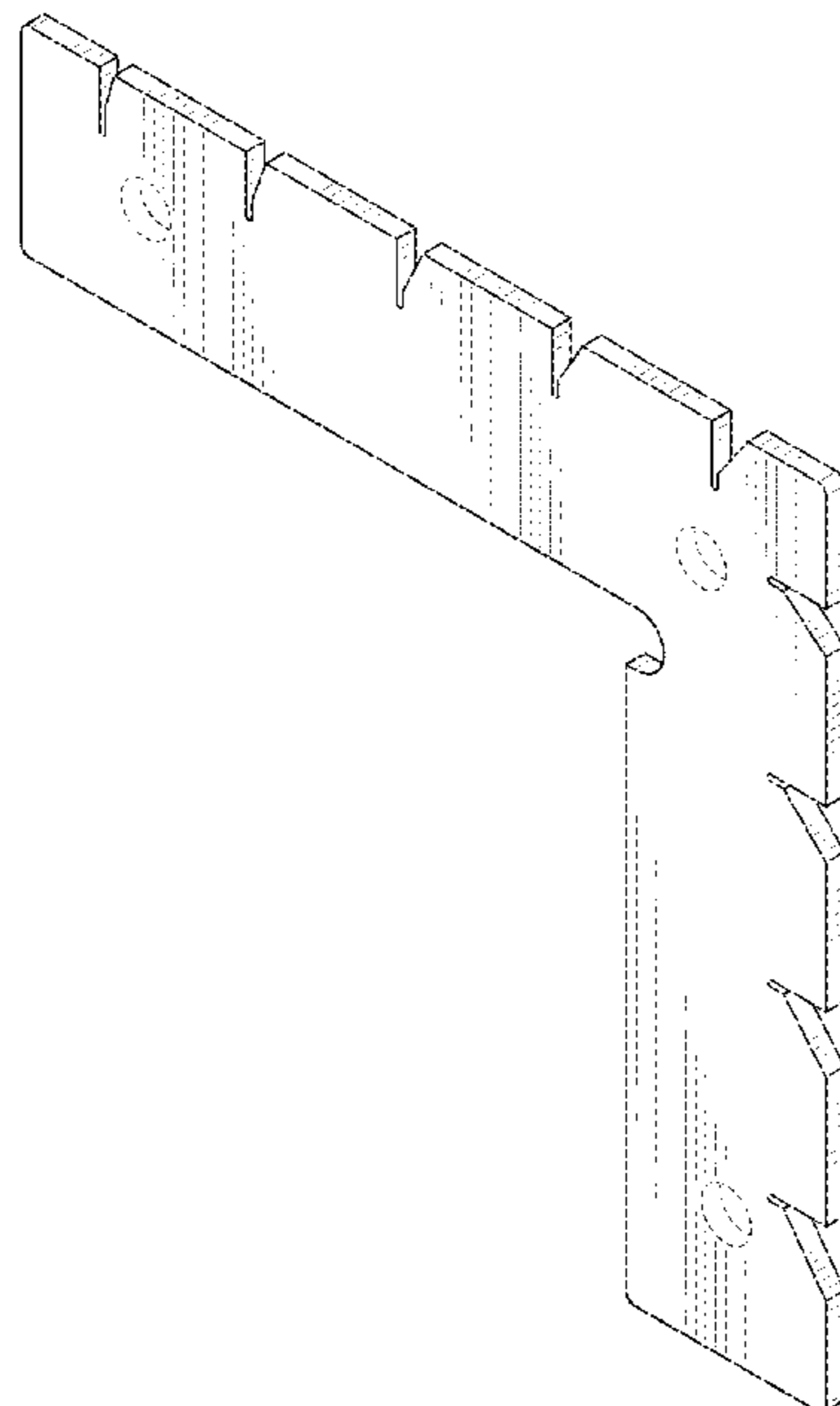
(57) **CLAIM**

The ornamental design for an edge tool sharpening guide, as shown and described.

DESCRIPTION

FIG. 1 is a front side perspective view of an edge tool sharpening guide in accordance with my design; FIG. 2 is a front elevation view thereof; FIG. 3 is a rear elevation view thereof; FIG. 4 is a top plan view thereof; FIG. 5 is a bottom plan view thereof; FIG. 6 is a left side elevation view thereof; and, FIG. 7 is a right side elevation view thereof. The broken lines illustrate portions of the edge tool sharpening guide which form no part of the claimed design.

1 Claim, 4 Drawing Sheets



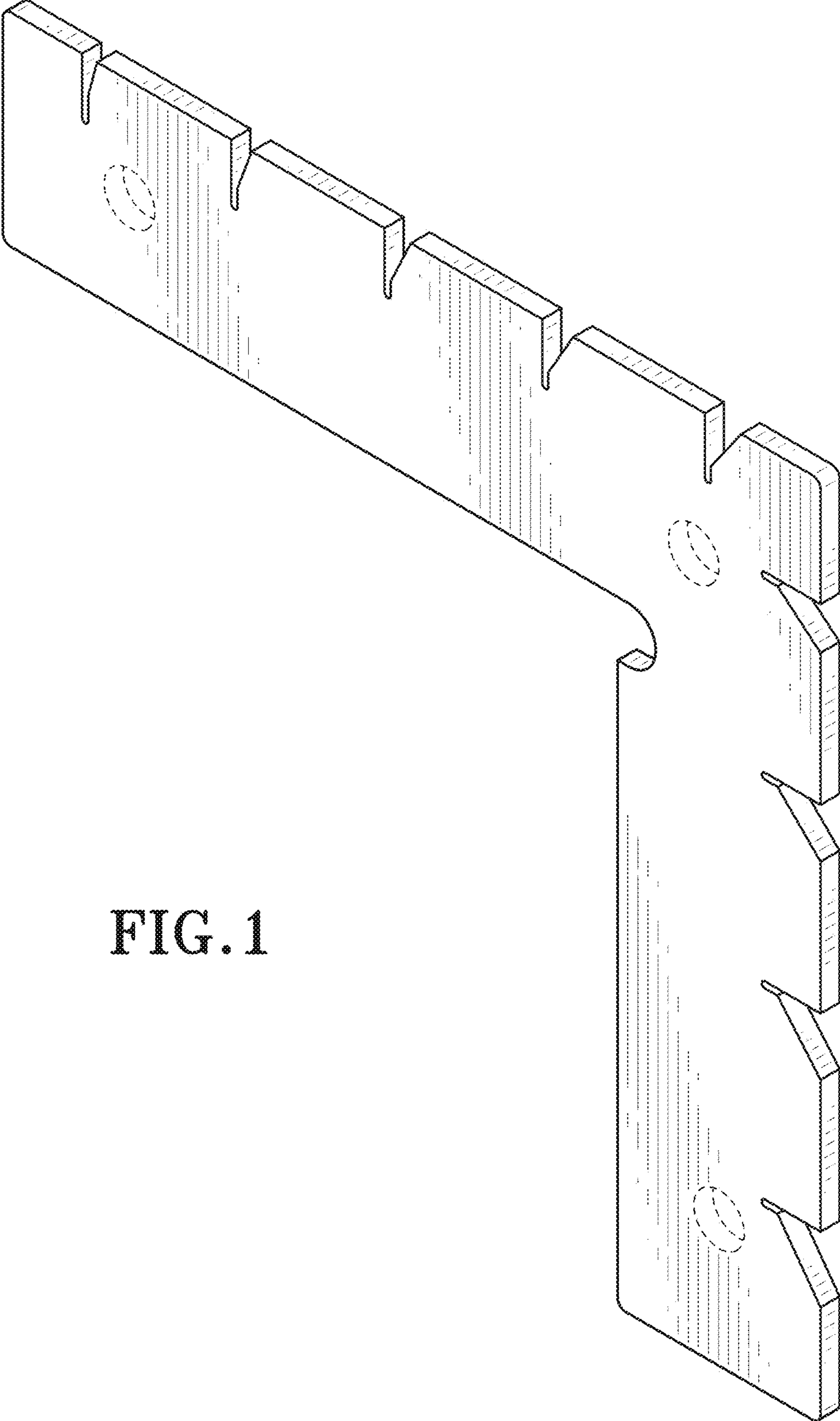


FIG. 1

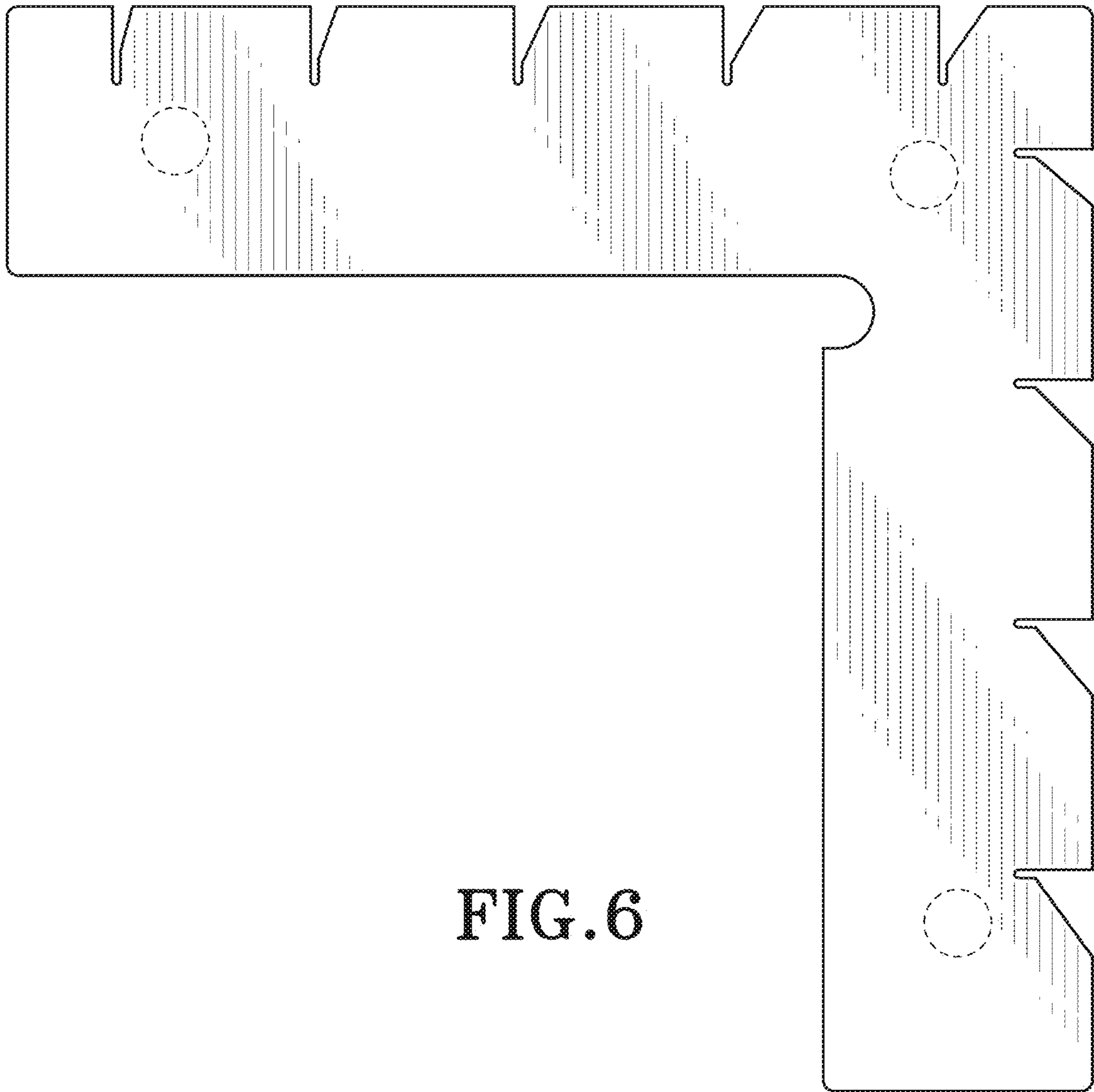


FIG. 6

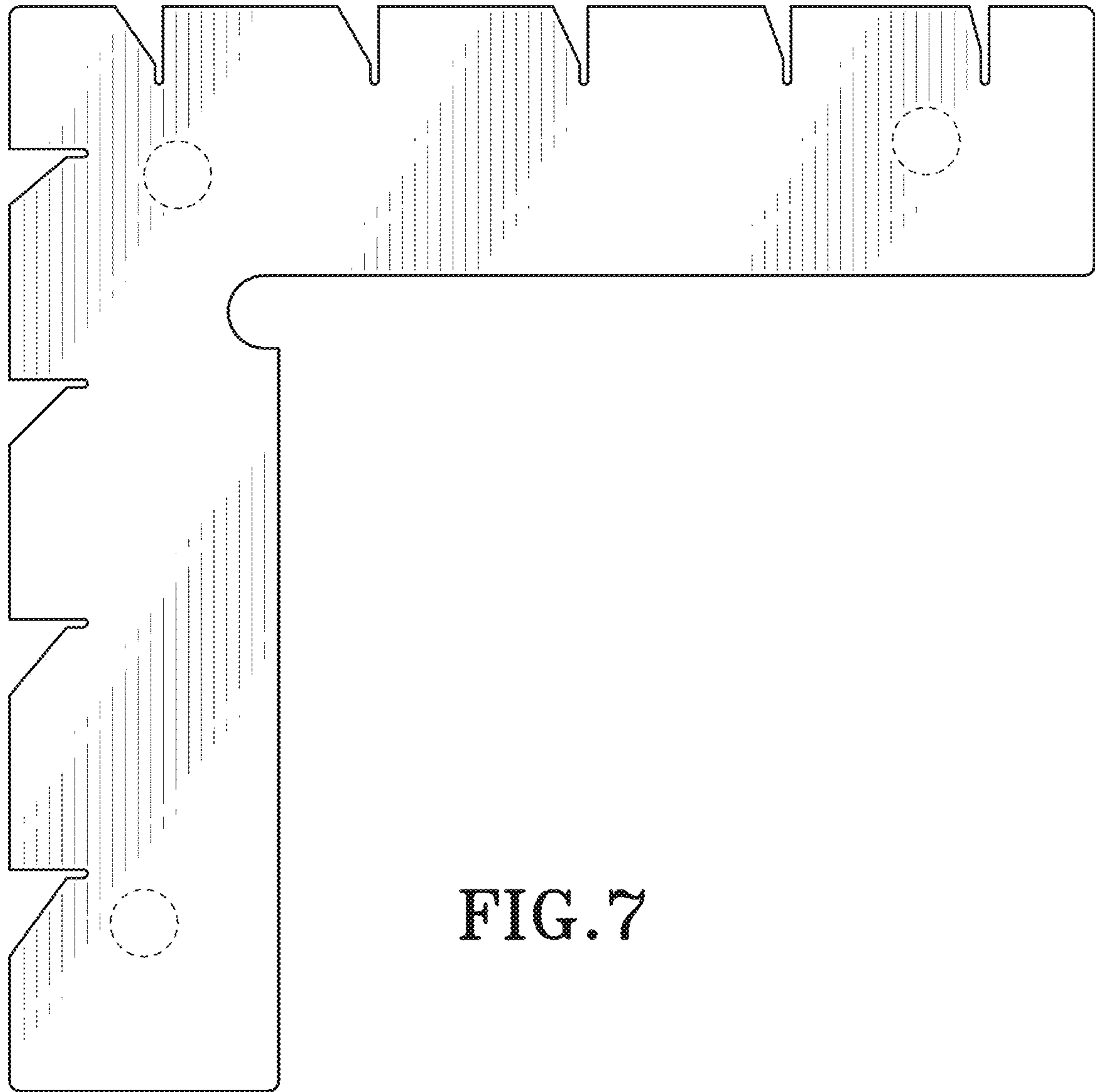


FIG. 7