



US00D869255S

(12) **United States Design Patent** (10) **Patent No.:** **US D869,255 S**  
**Thackery** (45) **Date of Patent:** **\*\* Dec. 10, 2019**

- (54) **POCKET HOLE JIG**
- (71) Applicant: **TTI (MACAO COMMERCIAL OFFSHORE) LIMITED, Macau (MO)**
- (72) Inventor: **Clinton C. Thackery, Clemson, SC (US)**
- (73) Assignee: **TTI (MACAO COMMERCIAL OFFSHORE) LIMITED, Macau (MO)**
- (\*\*) Term: **15 Years**
- (21) Appl. No.: **29/612,083**
- (22) Filed: **Jul. 28, 2017**
- (51) **LOC (12) Cl.** ..... **08-05**
- (52) **U.S. Cl.**  
USPC ..... **D8/71**
- (58) **Field of Classification Search**  
USPC ..... D15/141, 140, 132, 127; D8/8, 66, 70, D8/71, 14, 72, 354; D18/50  
CPC .... B27C 5/02; B27C 5/10; B27C 5/04; B27C 5/06; B27C 9/02; B23Q 3/005; B23Q 3/002; B23Q 11/06  
See application file for complete search history.

- 7,607,870 B2 \* 10/2009 Hughes, Jr. .... B23B 41/003 408/103
  - 7,617,578 B2 11/2009 Collins
  - 7,641,425 B2 \* 1/2010 Sommerfeld ..... B23B 47/287 269/224
  - 7,798,750 B2 \* 9/2010 Clark ..... B23B 47/287 408/103
  - D635,001 S \* 3/2011 Adkins ..... D8/71
  - 7,967,534 B2 6/2011 McDaniel et al.
  - 7,976,252 B2 7/2011 McDaniel et al.
  - 8,029,214 B2 10/2011 McDaniel et al.
  - 8,052,358 B2 11/2011 McDaniel et al.
  - 8,083,443 B1 12/2011 Circosta et al.
  - 8,840,345 B1 9/2014 Park
  - 9,211,635 B2 \* 12/2015 Poole ..... B25B 5/068
- (Continued)

- (56) **References Cited**  
U.S. PATENT DOCUMENTS  
1,128,970 A 2/1915 Godefroy et al.  
2,843,167 A 7/1958 Rushton  
5,076,742 A 12/1991 Lee et al.  
5,791,835 A \* 8/1998 Chiang ..... B23B 47/287 408/103  
6,481,937 B1 \* 11/2002 Sommerfeld ..... B23B 47/287 408/103  
6,637,988 B1 10/2003 Park  
D483,398 S \* 12/2003 Mori ..... D18/34.1  
7,101,123 B1 \* 9/2006 Weinstein ..... B23B 47/287 408/103  
7,134,814 B1 11/2006 Park  
7,484,914 B1 2/2009 Weinstein et al.

OTHER PUBLICATIONS

United States Patent Office Action for U.S. Appl. No. 16/046,216, dated Jun. 17, 2019, 10 pages.

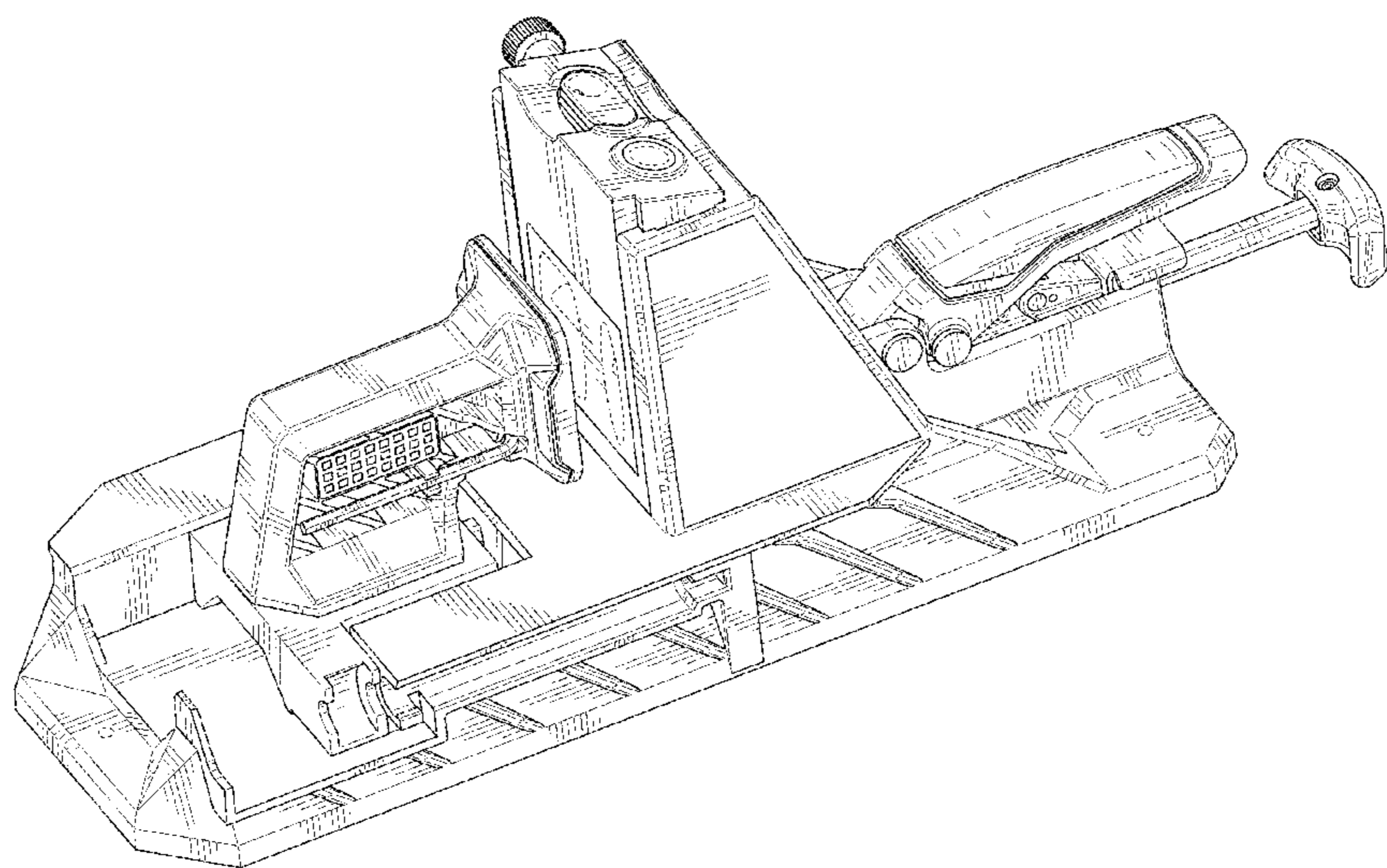
*Primary Examiner* — Rosemary K Tarcza  
*Assistant Examiner* — Nathaniel D. Buckner  
(74) *Attorney, Agent, or Firm* — Michael Best & Friedrich LLP

(57) **CLAIM**  
I claim the ornamental design for a pocket hole jig, as shown and described.

DESCRIPTION

FIG. 1 is a perspective view of a pocket hole jig showing my new design.  
FIG. 2 is a back side view thereof.  
FIG. 3 is a front side view thereof.  
FIG. 4 is a right side view thereof.  
FIG. 5 is a left side view thereof; and,  
FIG. 6 is a top view thereof.  
The broken lines in the figures depict portions of the article that form no part of the claimed design.

**1 Claim, 5 Drawing Sheets**



(56)

**References Cited**

U.S. PATENT DOCUMENTS

9,682,430	B2 *	6/2017	Clark	.....	B23B 47/00
10,144,068	B1 *	12/2018	Poole	.....	B23B 47/287
2003/0123941	A1	7/2003	Emerson		
2005/0089381	A1 *	4/2005	Liu	.....	B23B 47/287
					408/115 R
2008/0075546	A1 *	3/2008	Lin	.....	B23B 47/287
					408/115 R
2014/0341665	A1	11/2014	Clark		
2017/0087644	A1	3/2017	Pelkey		
2018/0071835	A1	3/2018	Poole et al.		
2018/0290217	A1	10/2018	Asimakis		

\* cited by examiner

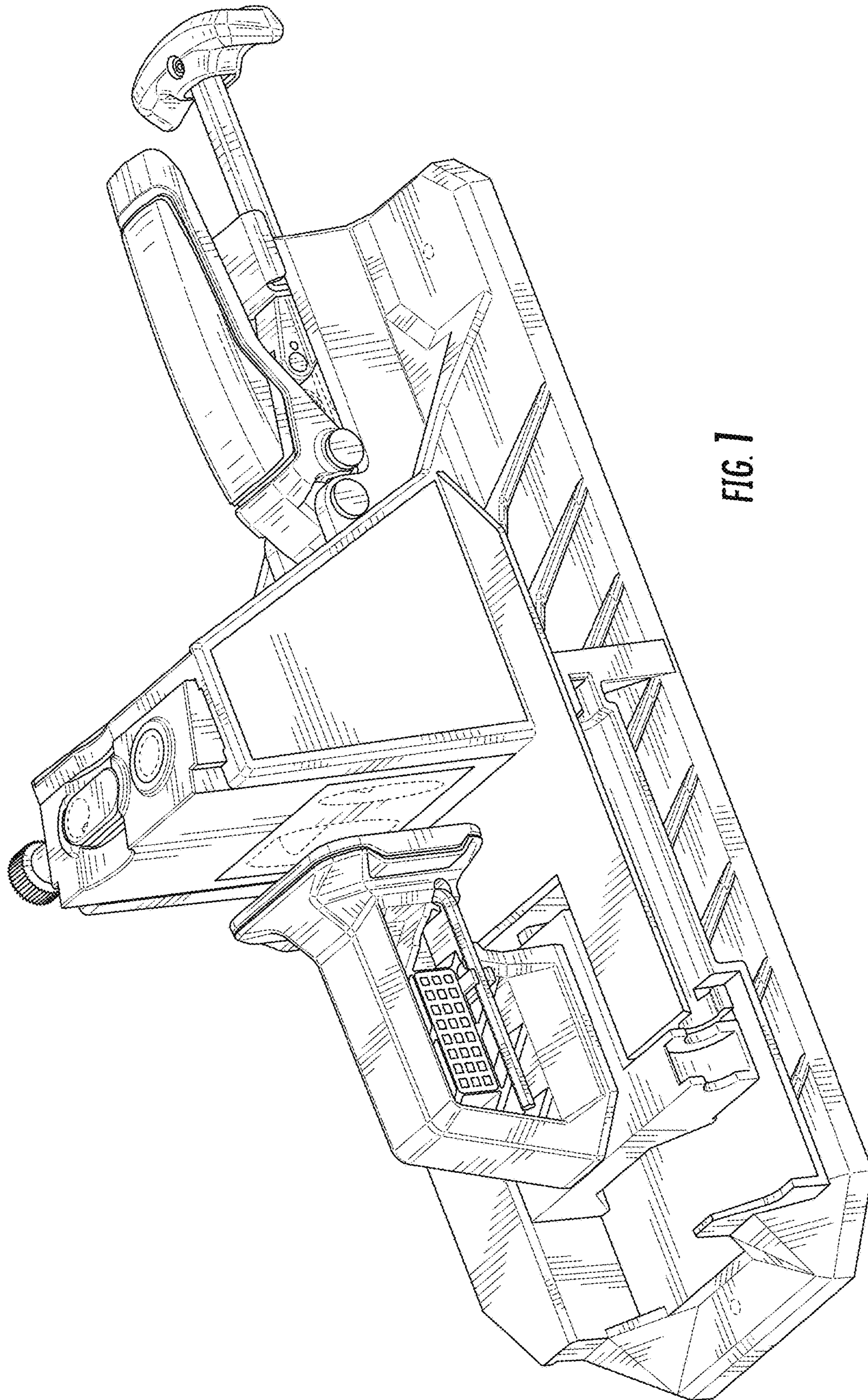


FIG. 1

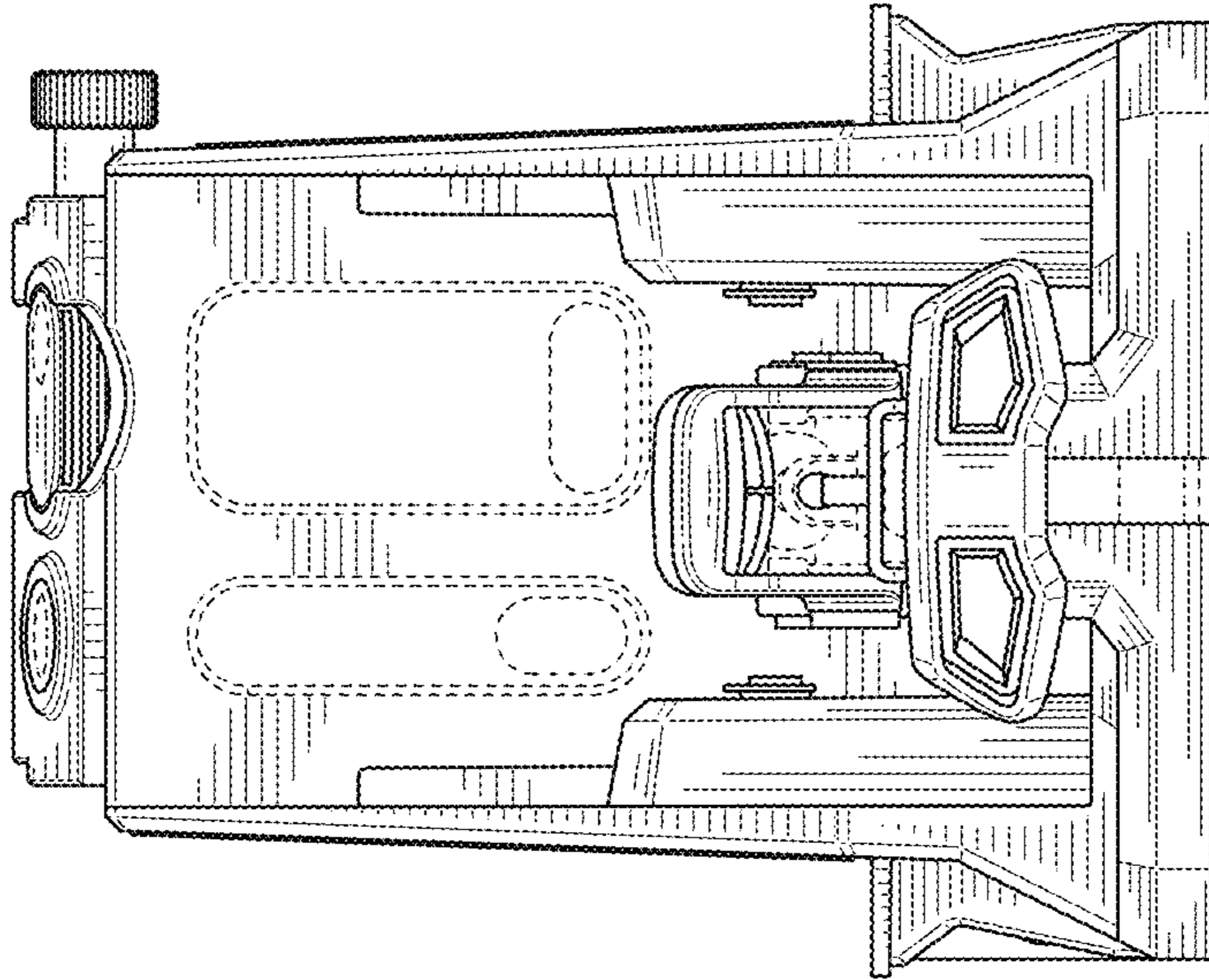


FIG. 3

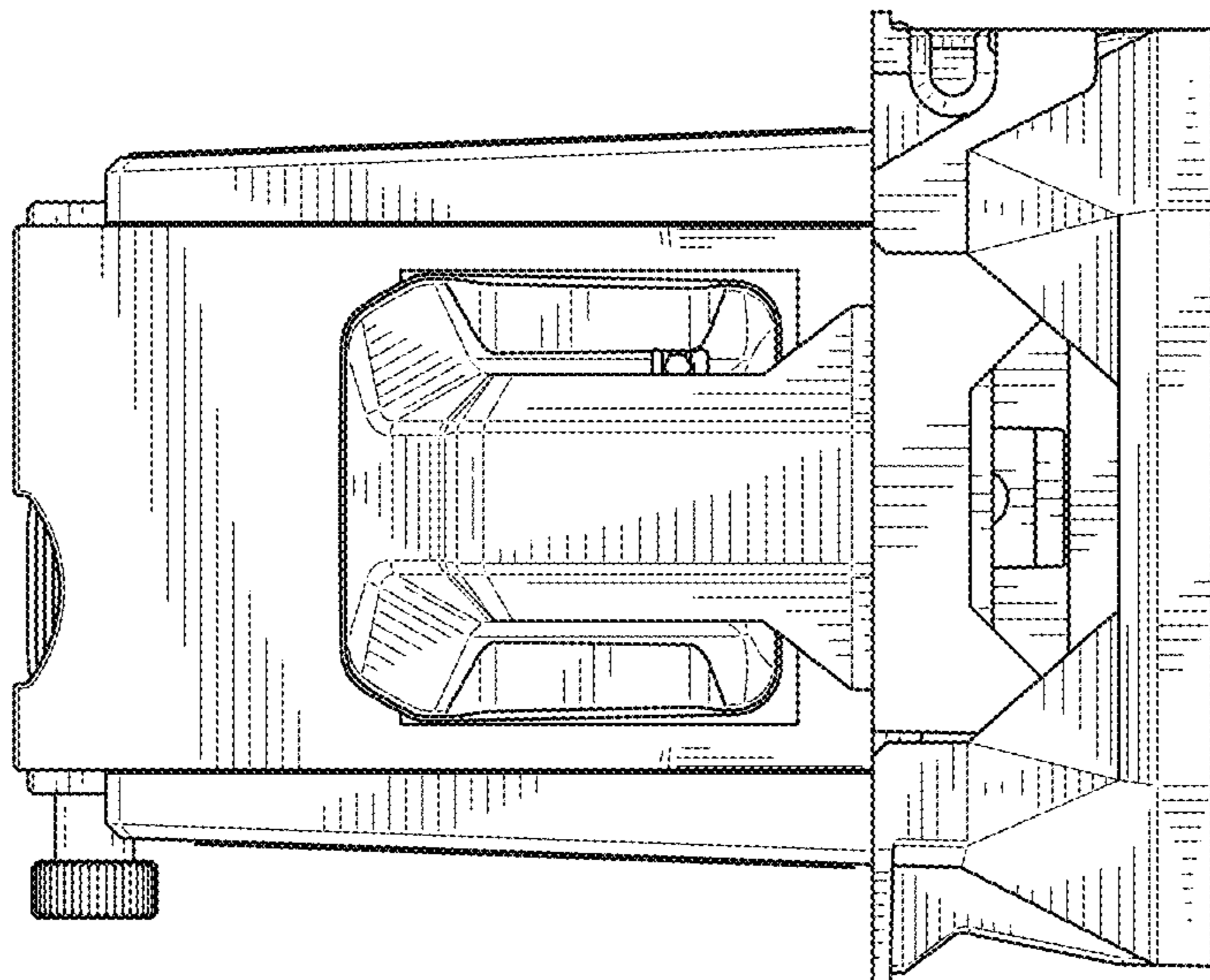


FIG. 2

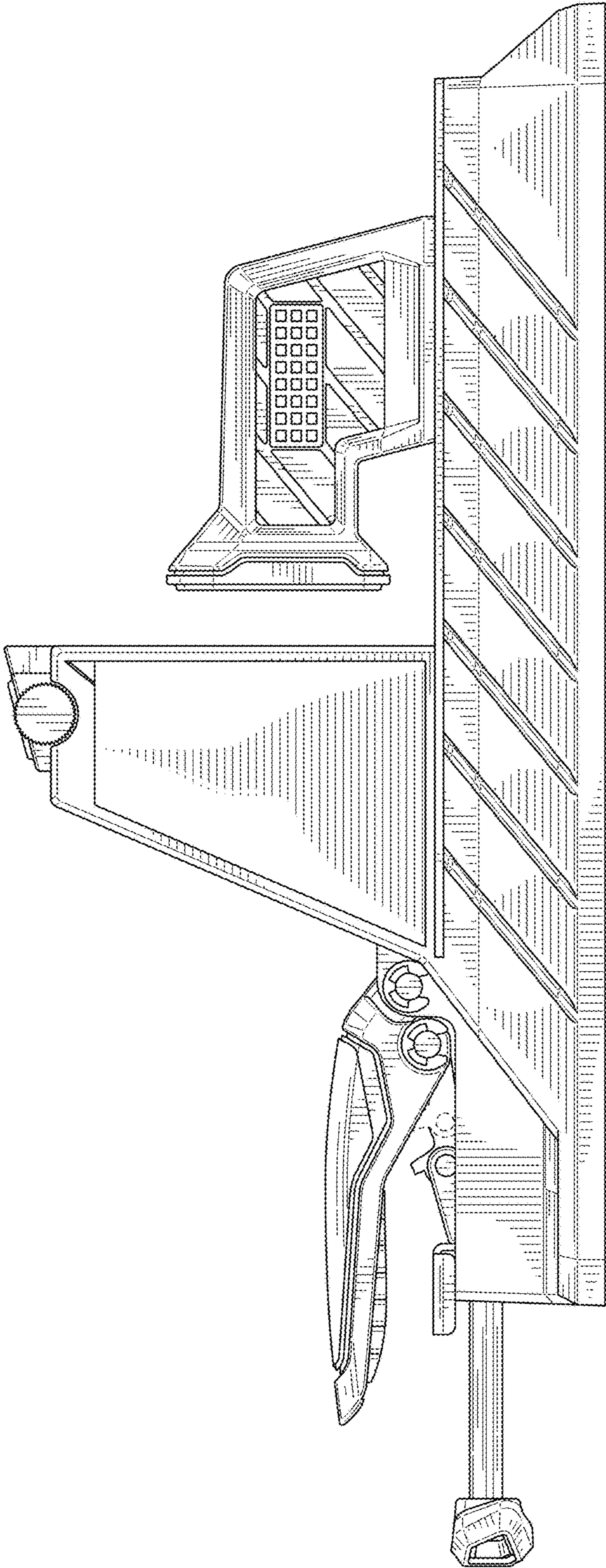


FIG. 4

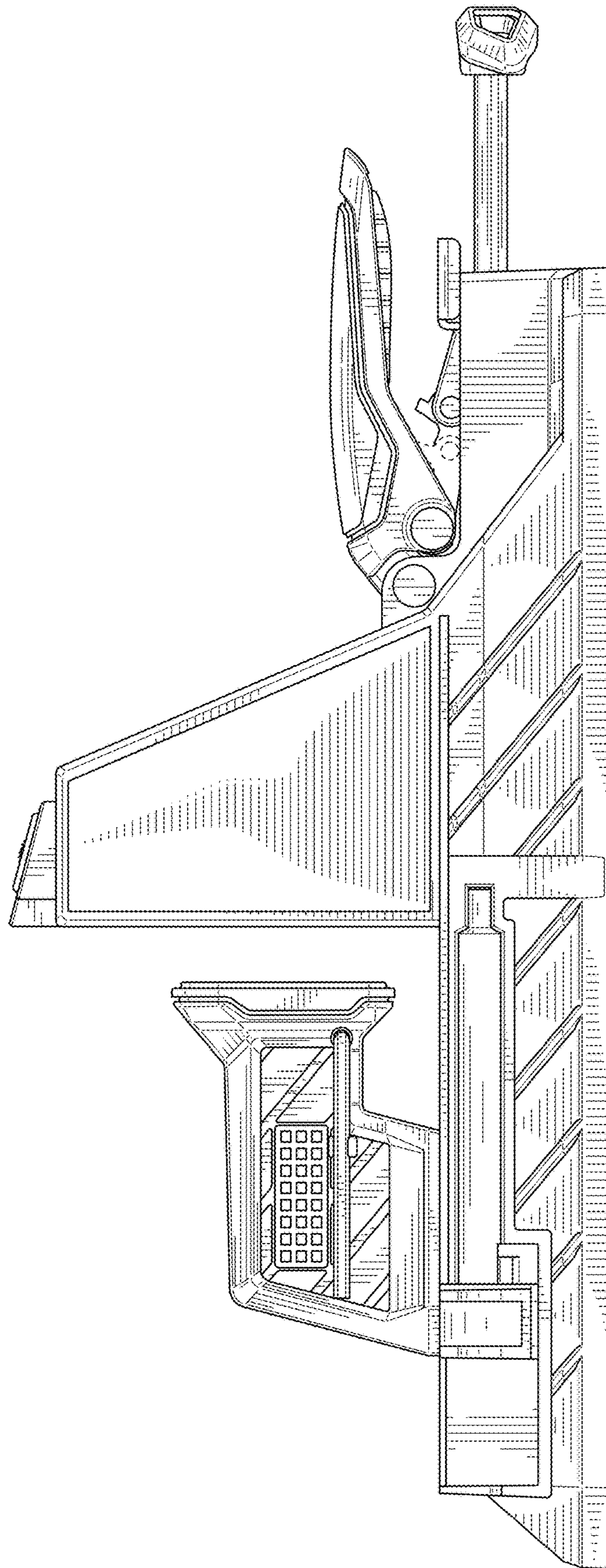


FIG. 5

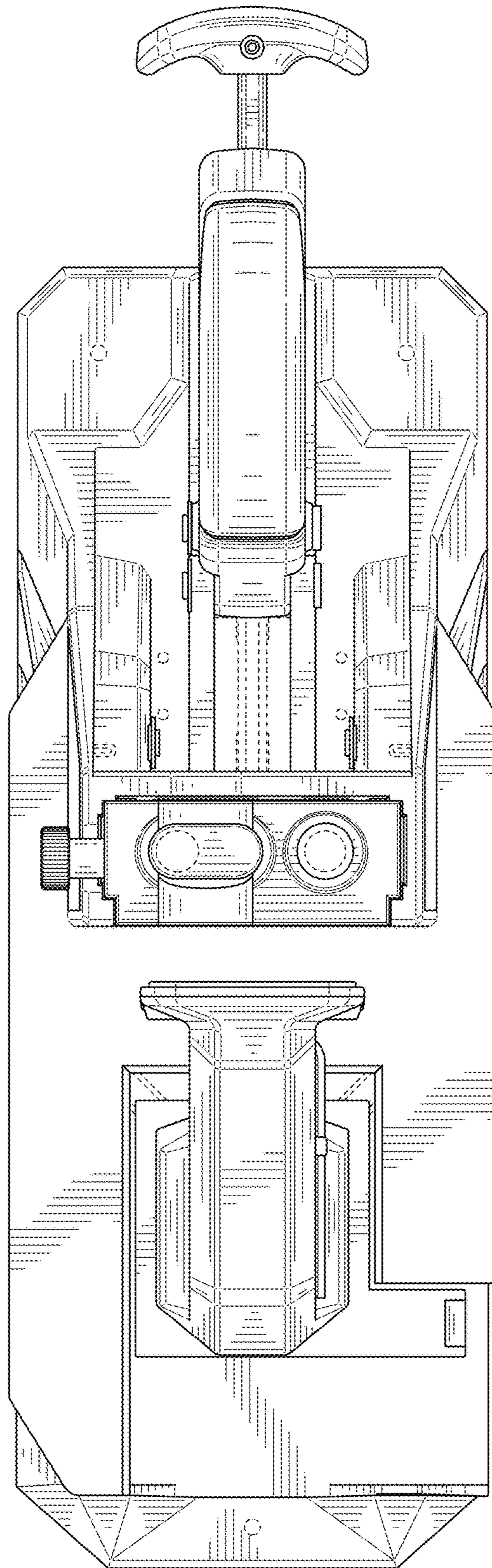


FIG. 6