

US00D869253S

(12) **United States Design Patent**  
**Wooters**

(10) **Patent No.:** **US D869,253 S**

(45) **Date of Patent:** **\*\* Dec. 10, 2019**

(54) **WRENCH**

(71) Applicant: **Chad William Wooters**, Chicago, IL  
(US)

(72) Inventor: **Chad William Wooters**, Chicago, IL  
(US)

(\*\*) Term: **15 Years**

(21) Appl. No.: **29/667,633**

(22) Filed: **Oct. 23, 2018**

(51) **LOC (12) Cl.** ..... **08-05**

(52) **U.S. Cl.**  
USPC ..... **D8/17; D8/18**

(58) **Field of Classification Search**  
USPC ..... D8/14, 17, 18, 19, 21, 105, 28  
CPC .... B25F 1/00; B25F 1/003; B25F 1/02; B25F  
1/04; B25F 1/066; B67B 7/14; B67B  
7/16; B67B 7/44  
See application file for complete search history.

(56) **References Cited**

**U.S. PATENT DOCUMENTS**

D298,212 S \* 10/1988 Gross ..... D15/9.1  
5,509,380 A \* 4/1996 Tipp ..... B67B 7/403  
81/3.55

D414,995 S \* 10/1999 Hsieh ..... D8/17  
D465,976 S \* 11/2002 Wang ..... D8/17  
D529,349 S \* 10/2006 Kitchen ..... D8/21  
D558,542 S \* 1/2008 Kiely ..... D8/19  
D642,027 S \* 7/2011 Serret ..... D8/17  
8,607,668 B1 \* 12/2013 Frank ..... B67B 7/16  
81/3.09  
D805,864 S \* 12/2017 Stangeland ..... D8/18

\* cited by examiner

*Primary Examiner* — Randall H Gholson

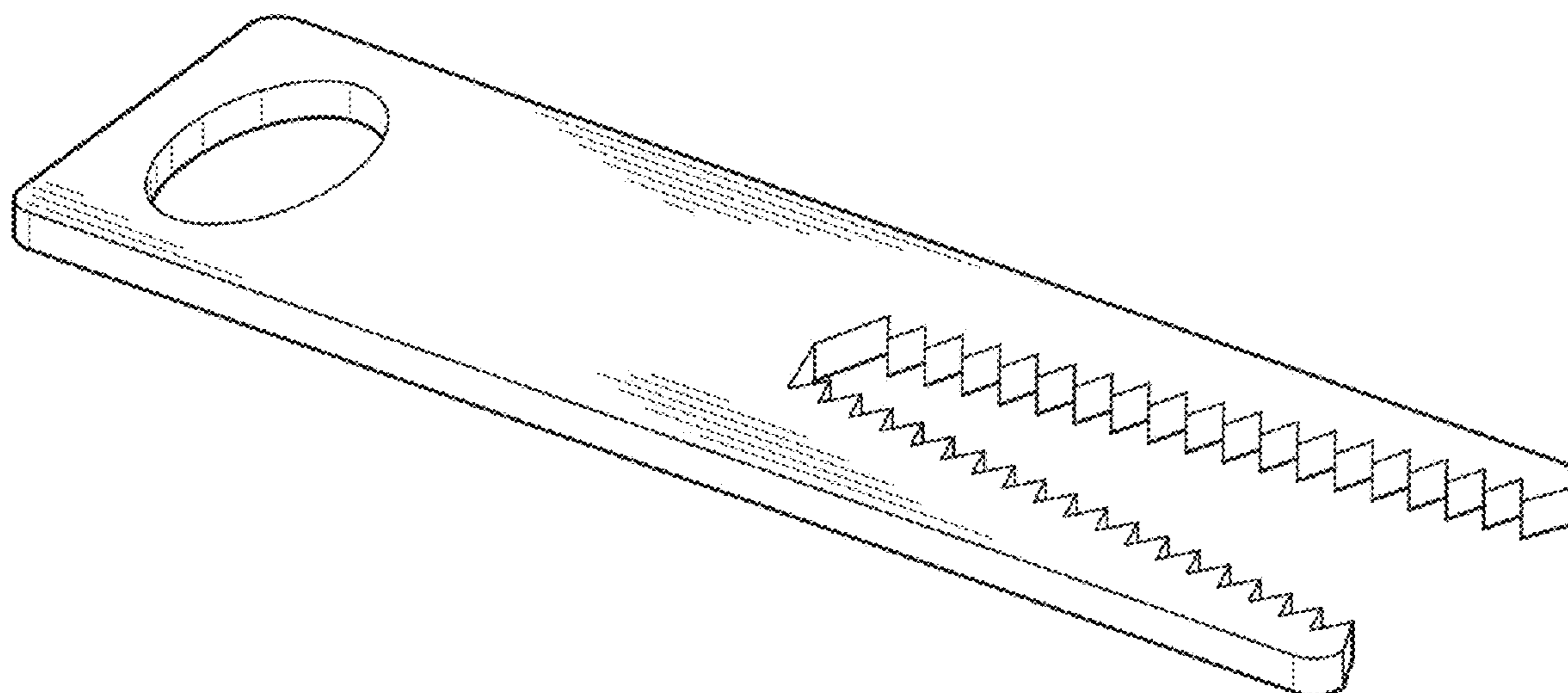
(57) **CLAIM**

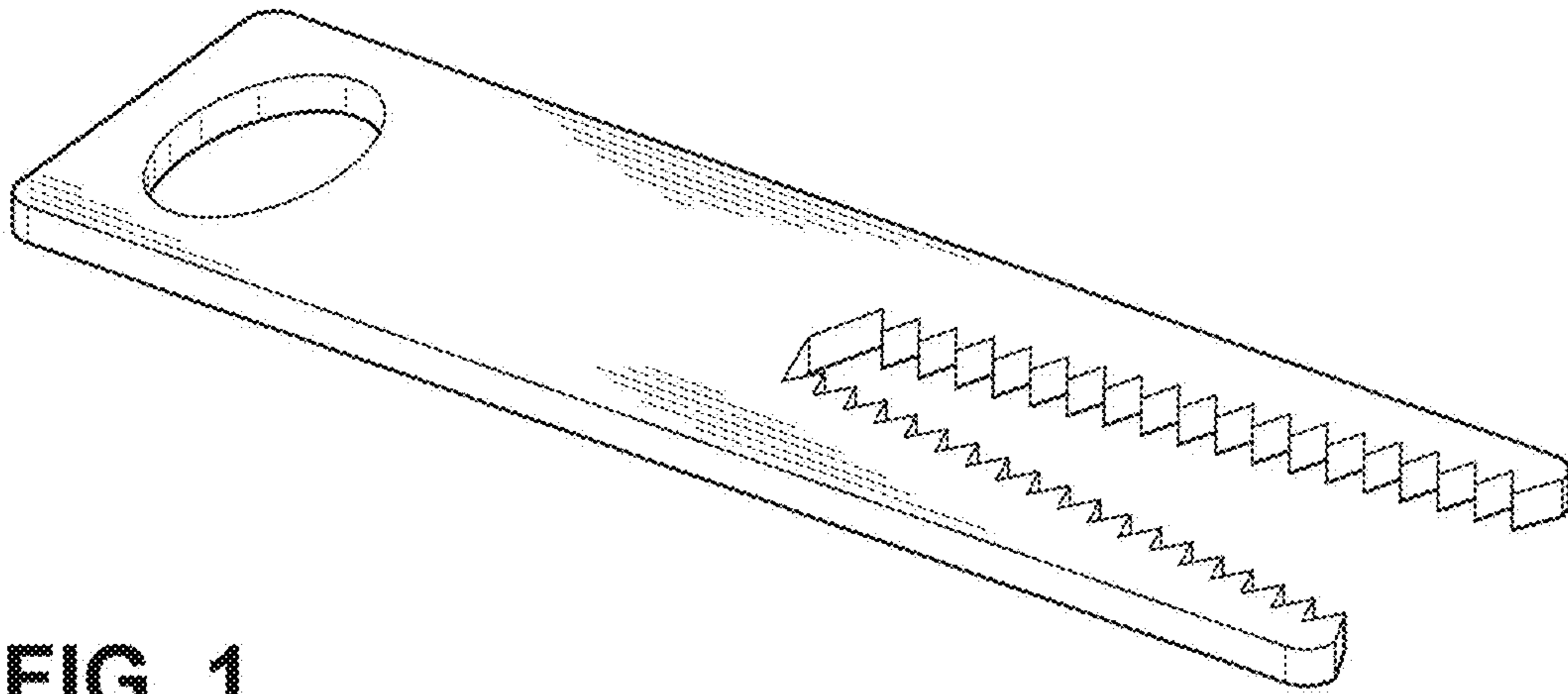
I claim the ornamental design for a wrench, as shown and described.

**DESCRIPTION**

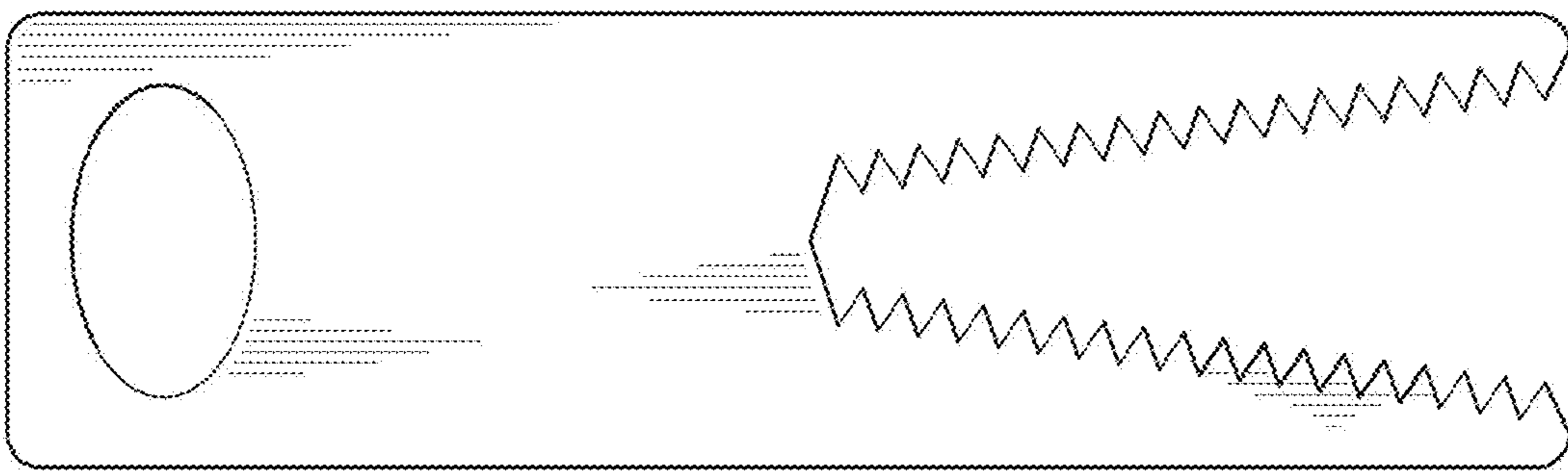
FIG. 1 is a perspective view showing my new design.  
FIG. 2 is a front plan view of my new design; the front plan view of my new design being identical to the rear plan view of my new design.  
FIG. 3 is a side plan view showing my new design.  
FIG. 4 is a top plan view showing my new design; and,  
FIG. 5 is a bottom plan view showing my new design.

**1 Claim, 1 Drawing Sheet**





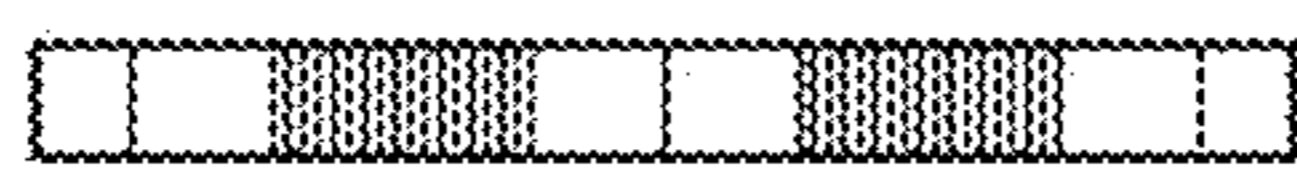
**FIG. 1**



**FIG. 2**



**FIG. 3**



**FIG. 4**



**FIG. 5**