

US00D869252S

(12) **United States Design Patent**
Gouedy

(10) **Patent No.:** **US D869,252 S**

(45) **Date of Patent:** **** Dec. 10, 2019**

(54) **HIVE TOOL**

(71) Applicant: **Jason Gouedy**, Loranger, LA (US)

(72) Inventor: **Jason Gouedy**, Loranger, LA (US)

(**) Term: **15 Years**

(21) Appl. No.: **29/664,227**

(22) Filed: **Sep. 24, 2018**

(51) **LOC (12) Cl.** **08-05**

(52) **U.S. Cl.**
USPC **D8/14**

(58) **Field of Classification Search**
USPC D8/14, 16, 88, 89, 349; D32/46
CPC A01K 55/00
See application file for complete search history.

(56) **References Cited**

U.S. PATENT DOCUMENTS

865,062	A *	9/1907	Sawyer	A01K 55/00
2,593,304	A *	4/1952	Howard	A01K 55/00
					449/61
3,523,314	A *	8/1970	Homins	A01K 55/00
					449/34
D248,086	S *	6/1978	Maxant	D8/98

D324,474	S *	3/1992	Killins	D8/88
D479,970	S *	9/2003	Hutchinson	D8/16
D497,087	S *	10/2004	Gallo	D3/211

* cited by examiner

Primary Examiner — Philip S Hyder

(74) *Attorney, Agent, or Firm* — Patentfile, LLC; Bradley C. Fach

(57) **CLAIM**

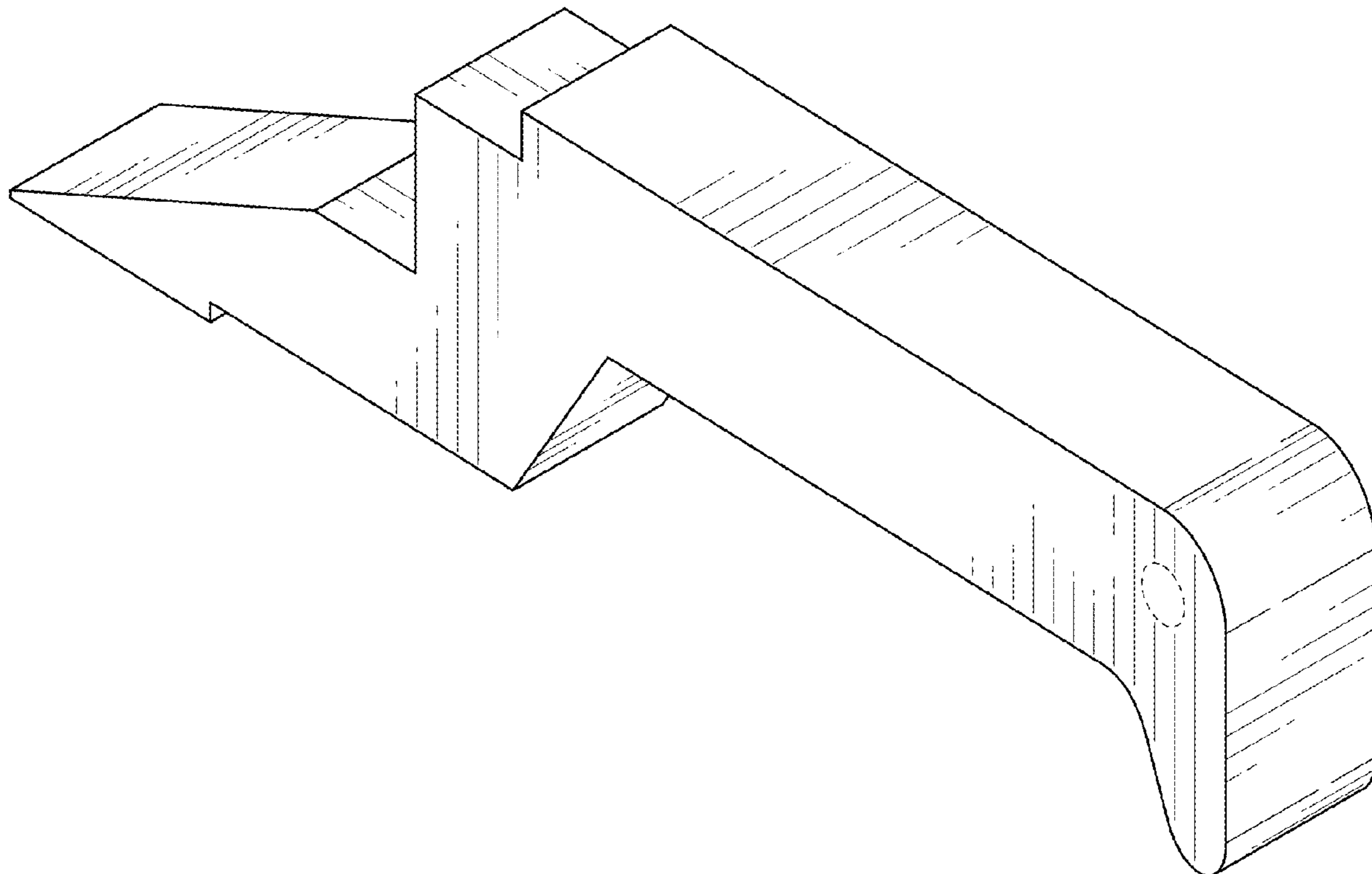
The ornamental design for a hive tool, as shown and described.

DESCRIPTION

FIG. 1 is a perspective view showing the new, original, and ornamental design of a hive tool;
FIG. 2 is a front elevation view thereof;
FIG. 3 is a rear elevation view thereof;
FIG. 4 is a right elevation view thereof;
FIG. 5 is a left elevation view thereof;
FIG. 6 is a top plan view thereof;
FIG. 7 is a bottom plan view thereof; and,
FIG. 8 is a right elevation view thereof with an optional lanyard.

The broken lines shown in the drawings including the optional lanyard in FIG. 8 represent environmental subject matter and form no part of the claimed design.

1 Claim, 5 Drawing Sheets



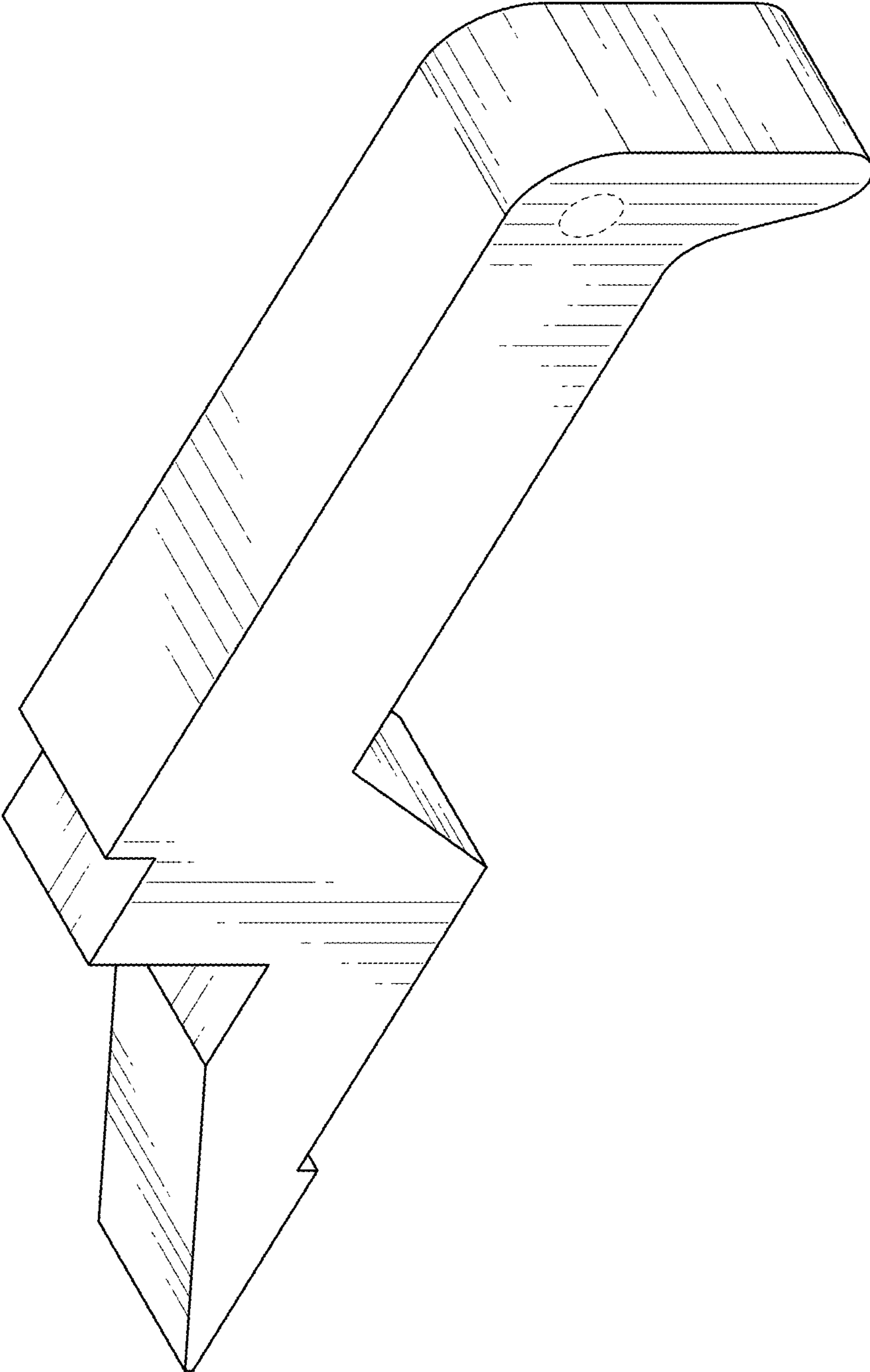


FIG. 1

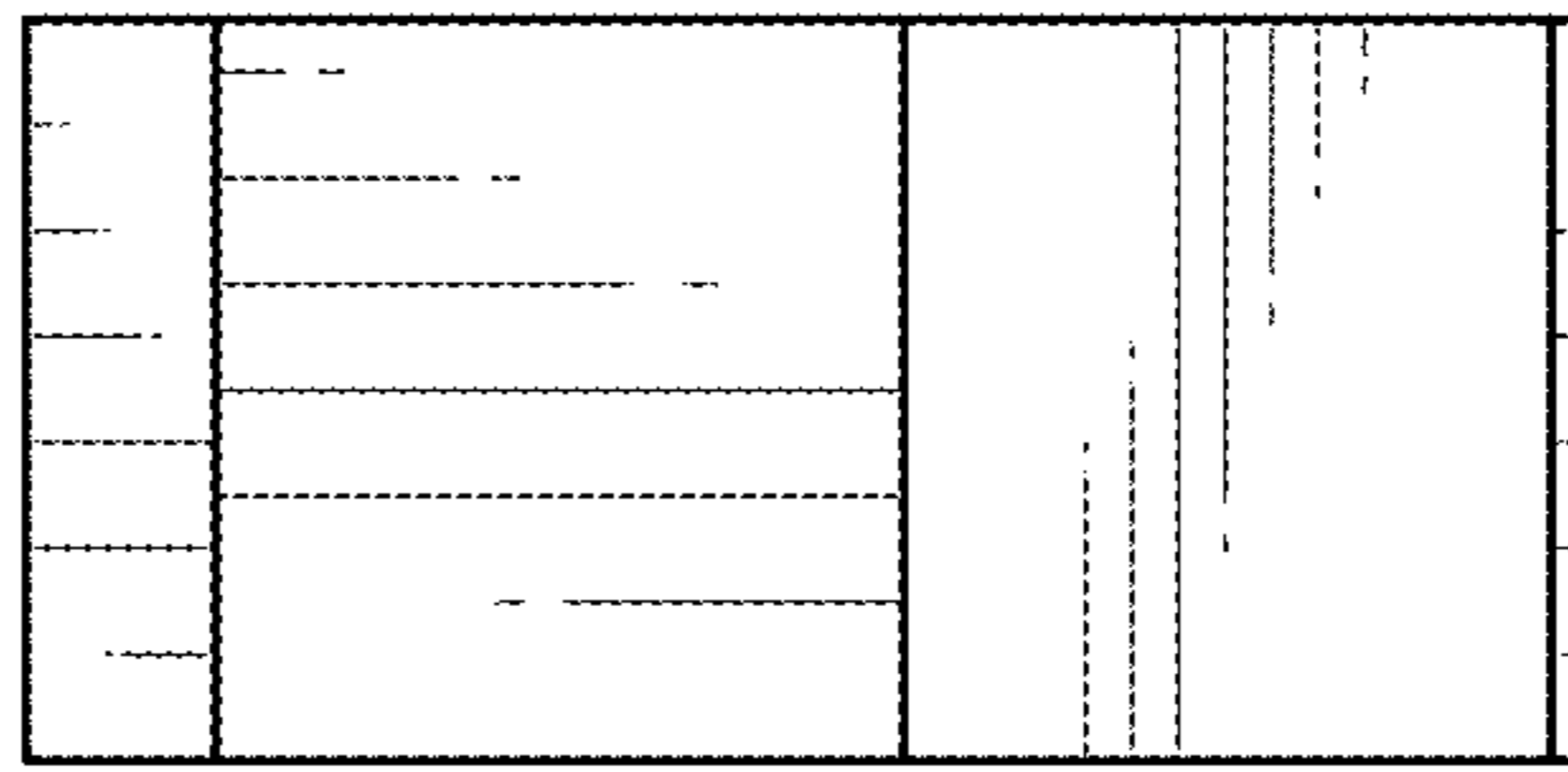


FIG. 3

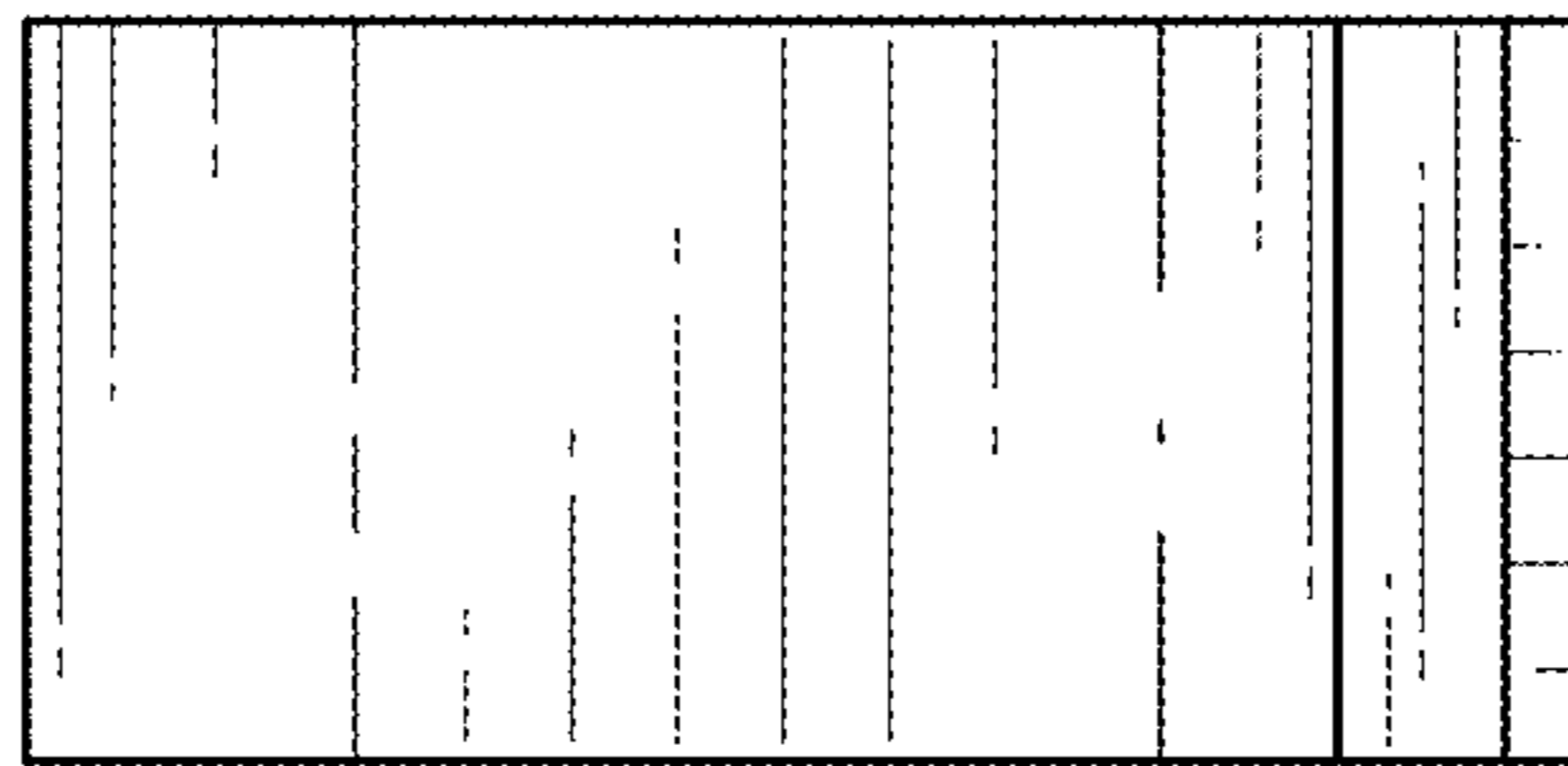


FIG. 2

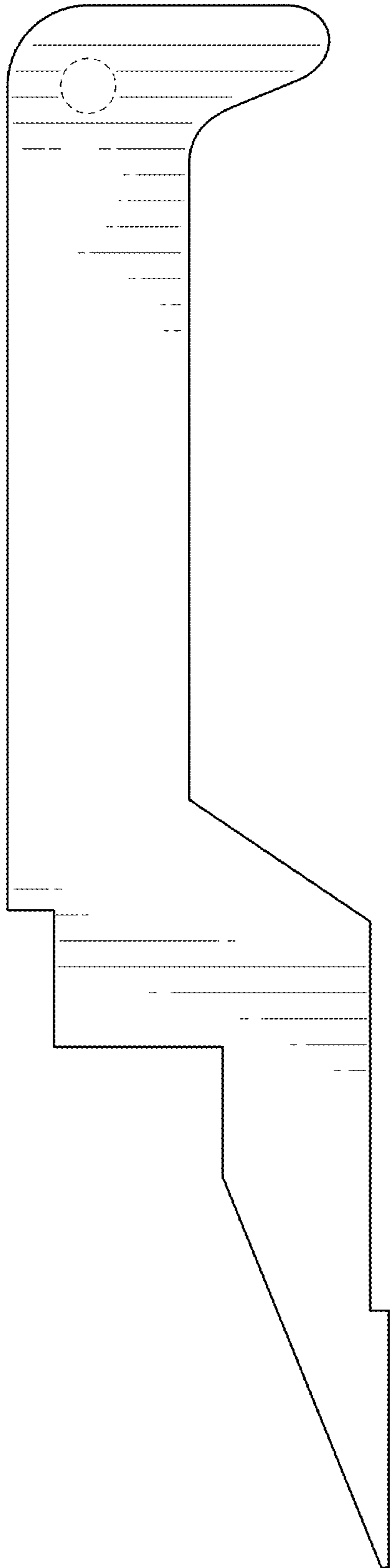


FIG. 4

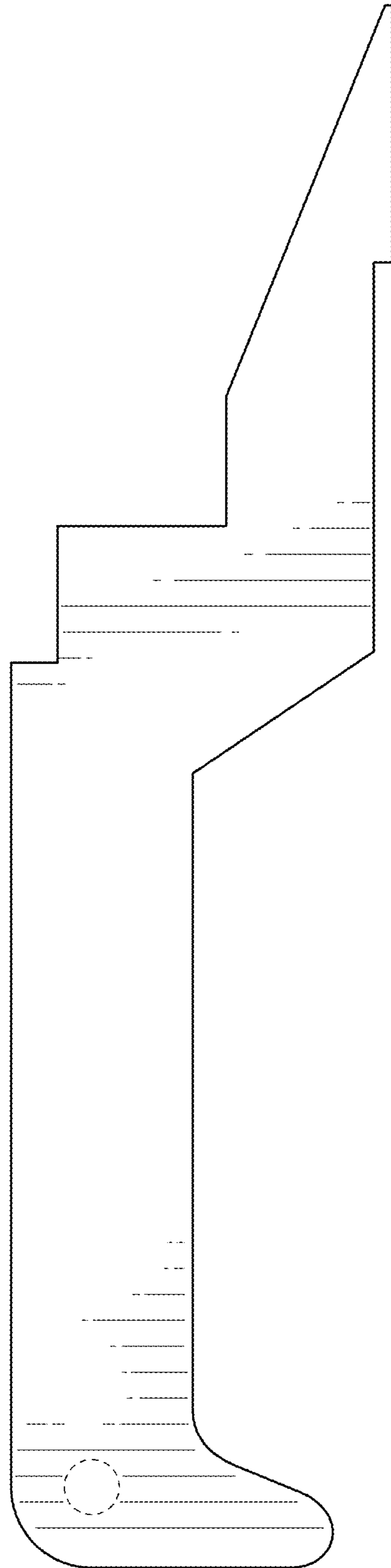


FIG. 5



FIG. 6

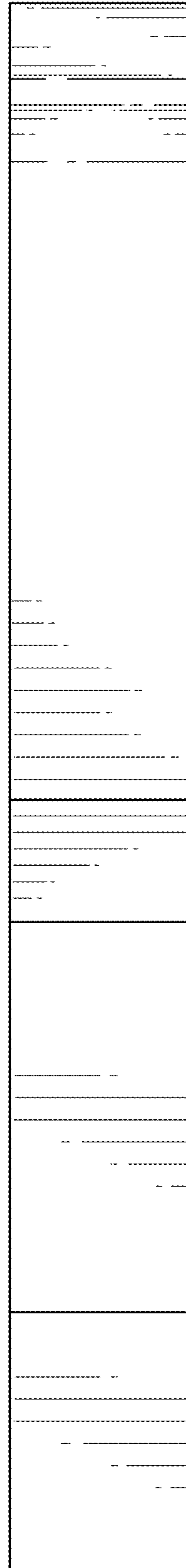


FIG. 7

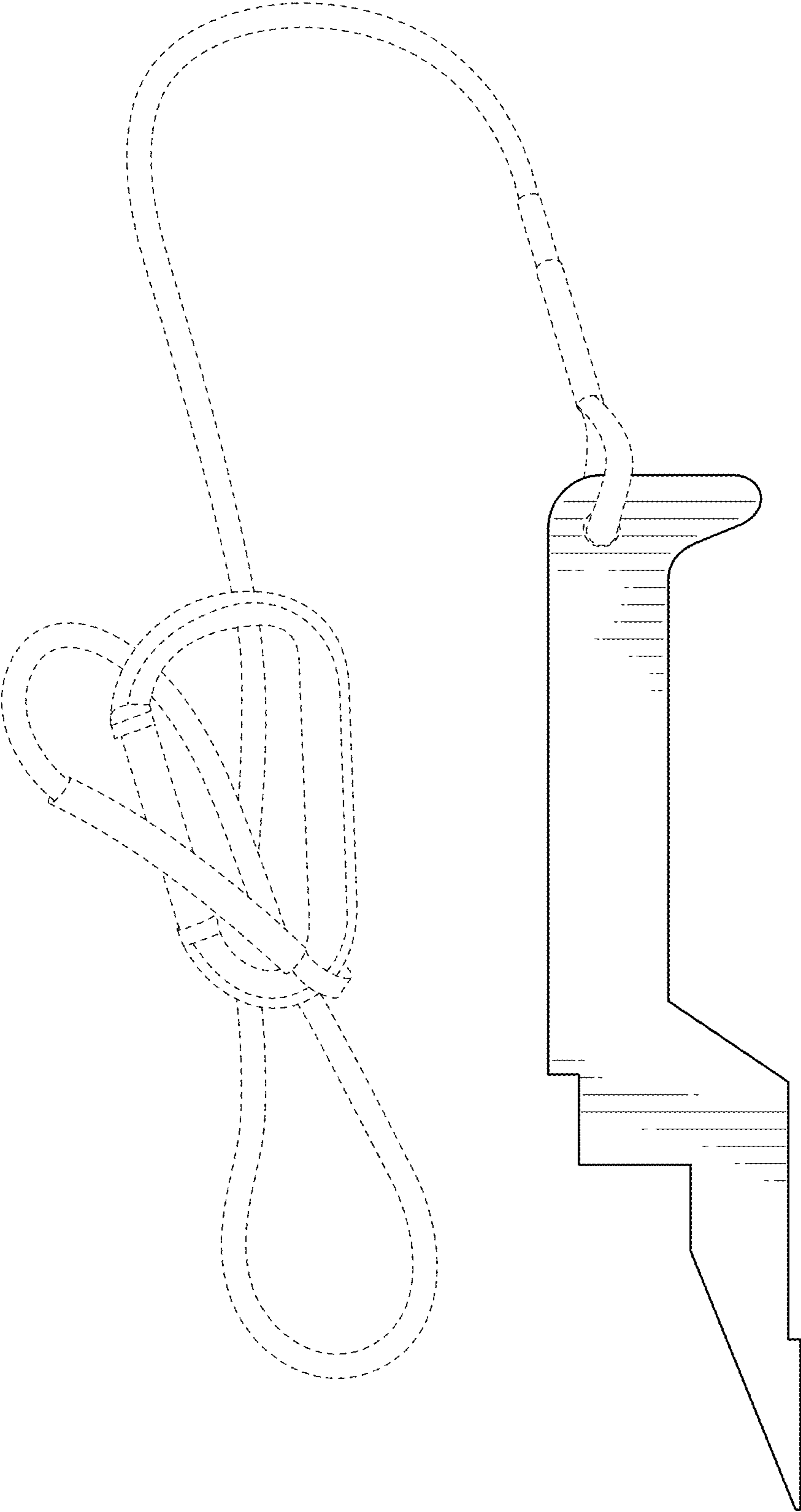


FIG. 8