



US00D869251S

(12) **United States Design Patent**
Kramer

(10) **Patent No.:** **US D869,251 S**

(45) **Date of Patent:** **** Dec. 10, 2019**

(54) **FOLDING CHOPPING BOARD**

(71) Applicant: **Gershon Kramer**, Ofra (IL)

(72) Inventor: **Gershon Kramer**, Ofra (IL)

(**) Term: **15 Years**

(21) Appl. No.: **29/654,732**

(22) Filed: **Jun. 27, 2018**

(51) **LOC (12) Cl.** **07-04**

(52) **U.S. Cl.**
USPC **D7/698**

(58) **Field of Classification Search**
USPC D6/349, 353, 406.6; D7/543, 549, 550.1,
D7/586, 698-699; D12/425; D32/55-57
CPC A47J 47/00; A47J 47/005; A47J 47/20;
B26D 7/0006; B26D 7/018; B26D 7/20;
B23D 21/00; B23D 51/025; B23K 37/04;
B23K 37/053; B23Q 16/001; B65F 1/10
See application file for complete search history.

(56) **References Cited**

U.S. PATENT DOCUMENTS

166,038	A *	7/1875	Stepp	B23D 51/025 269/2
D152,153	S *	12/1948	Harvey	D6/349
2,609,024	A *	9/1952	Russ	A47J 47/005 269/15
D268,796	S *	5/1983	Kola	D6/349
D380,727	S *	7/1997	Gilstrap	D12/417
D574,200	S *	8/2008	Pearl	D7/698
D675,071	S	1/2013	Kramer		
D677,130	S *	3/2013	Robinson	D7/698
D787,845	S *	5/2017	Edwards	D6/353

D797,466	S *	9/2017	Zioni	D6/353
D799,851	S *	10/2017	Waxman	D6/406.6
D802,379	S *	11/2017	Raphael	D7/698
D813,560	S *	3/2018	Zioni	D6/353
2003/0218290	A1 *	11/2003	Goldberg	B65F 1/10 269/289 R

* cited by examiner

Primary Examiner — Ricky Pham

(74) *Attorney, Agent, or Firm* — Robert G. Lev

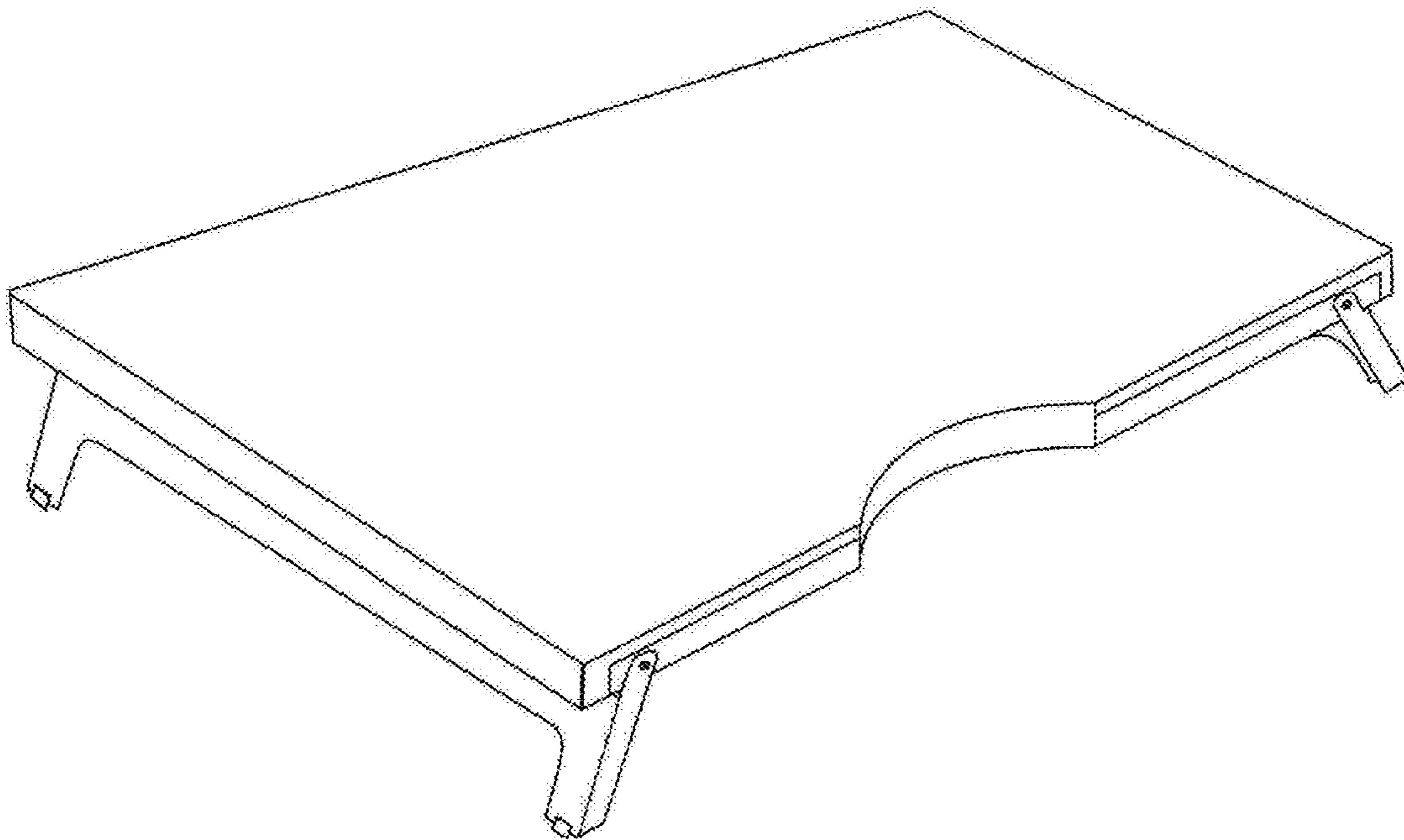
(57) **CLAIM**

The ornamental design for a folding chopping board, as shown and described.

DESCRIPTION

FIG. 1 is a top view of the folding chopping board with the legs folded.
 FIG. 2 is a top view thereof with the legs extended.
 FIG. 3 is a bottom view thereof with the legs folded.
 FIG. 4 is a left side view thereof with the legs folded.
 FIG. 5 is a right side view thereof with the legs folded.
 FIG. 6 is a back view thereof with the legs folded.
 FIG. 7 is a front view thereof with the legs folded.
 FIG. 8 is a bottom view thereof with the legs unfolded.
 FIG. 9 is a back view thereof with the legs unfolded.
 FIG. 10 is a front view thereof with the legs unfolded.
 FIG. 11 is a left side view thereof with the legs unfolded, and top surface sloping down to the front.
 FIG. 12 is a right side view thereof with the legs unfolded, and the top surface sloping to the front; and,
 FIG. 13 is a perspective view thereof with the legs unfolded with the front left leg in the foreground.

1 Claim, 13 Drawing Sheets



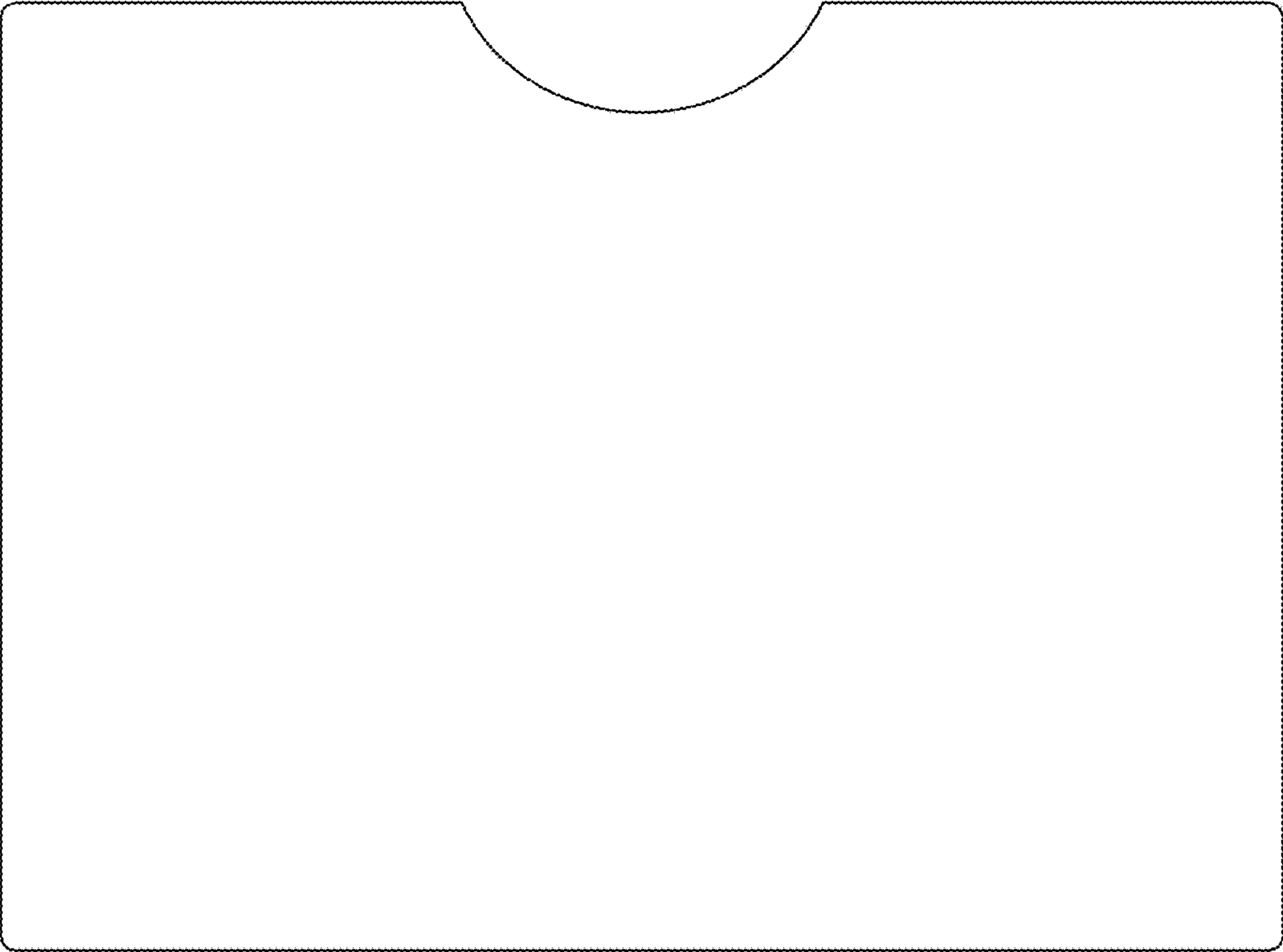


Fig. 1

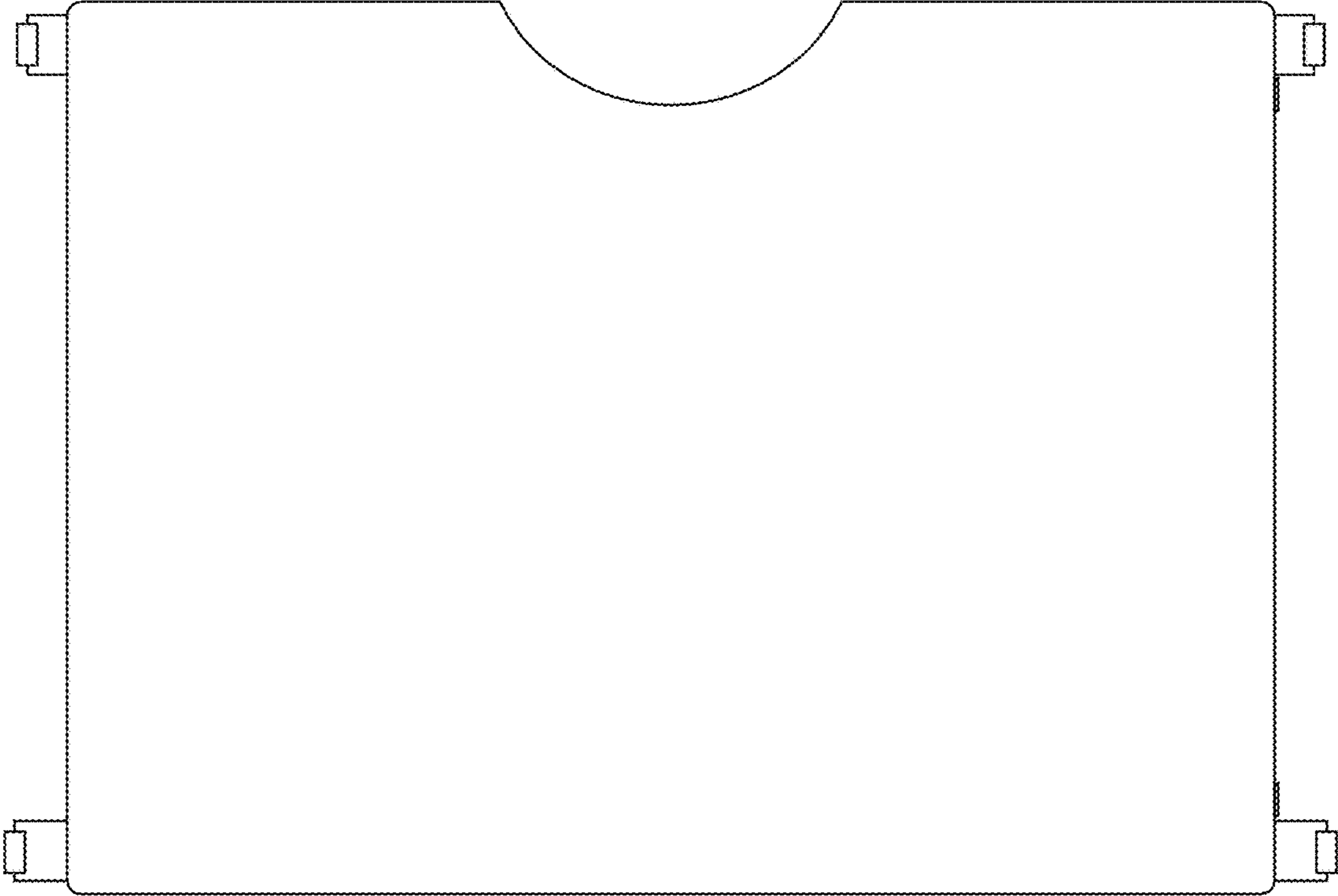


Fig. 2

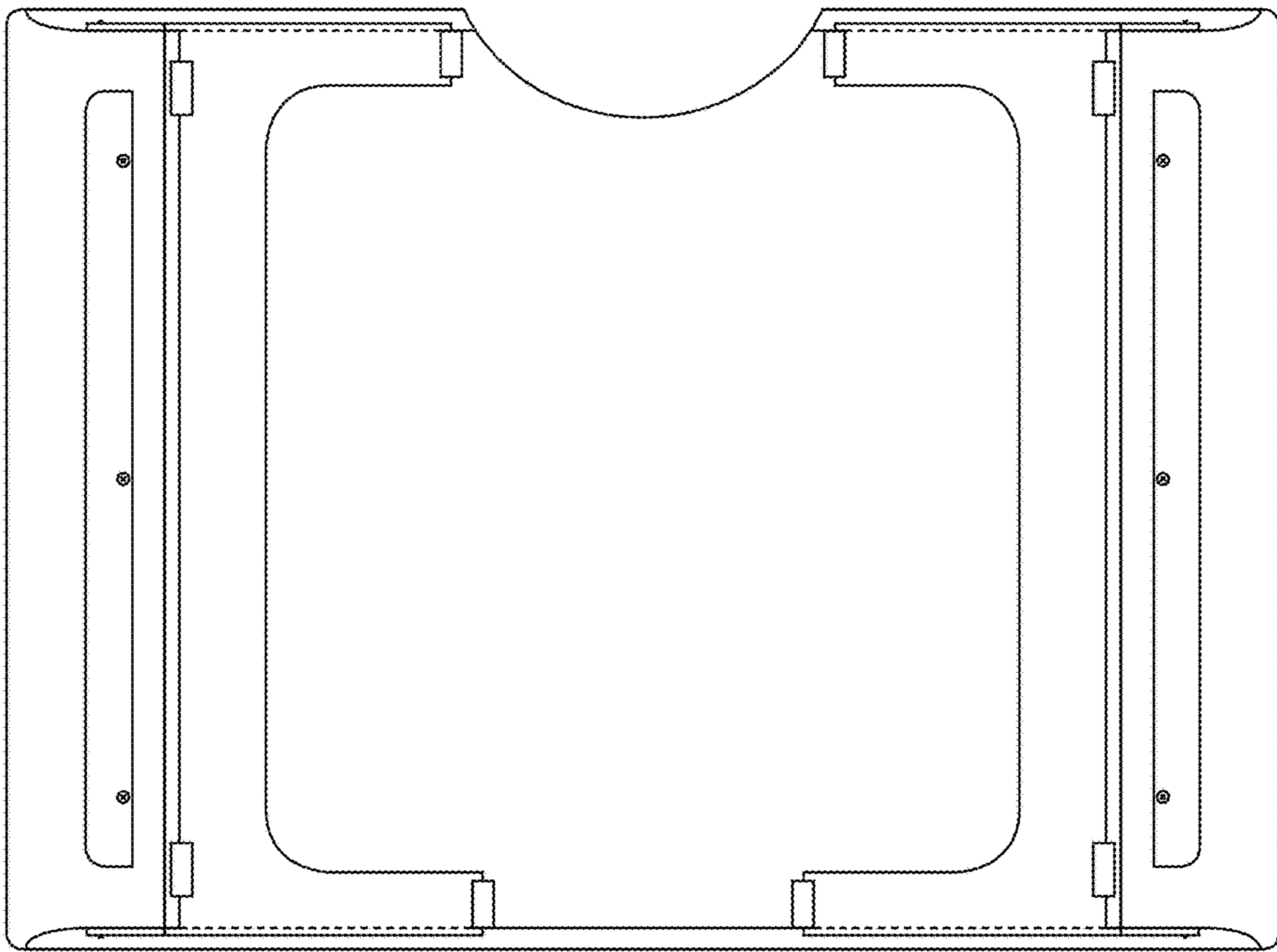


Fig. 3



Fig. 4

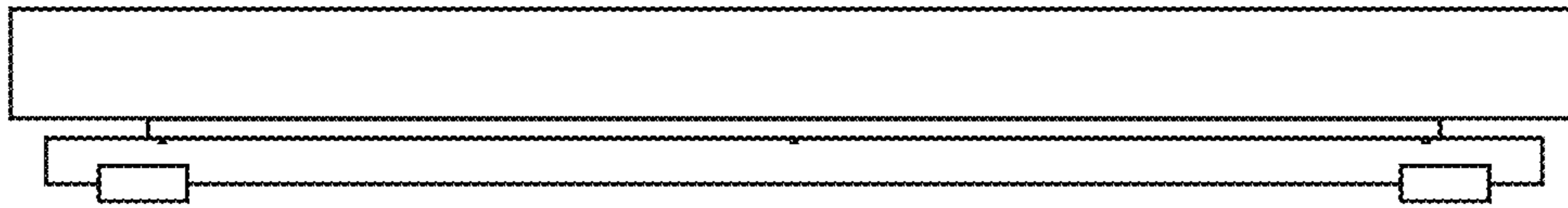


Fig. 5



Fig. 6



Fig. 7

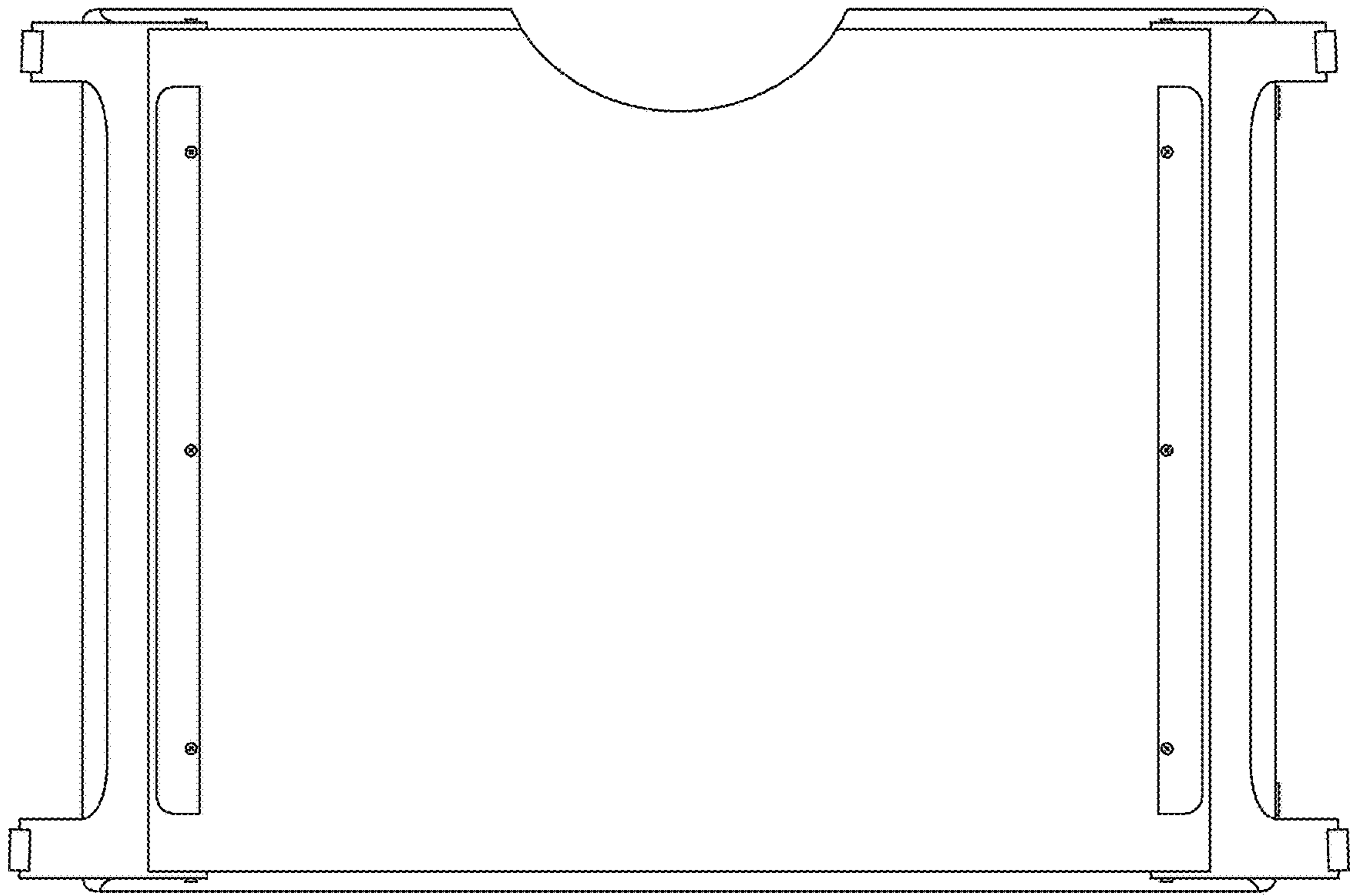


Fig. 8

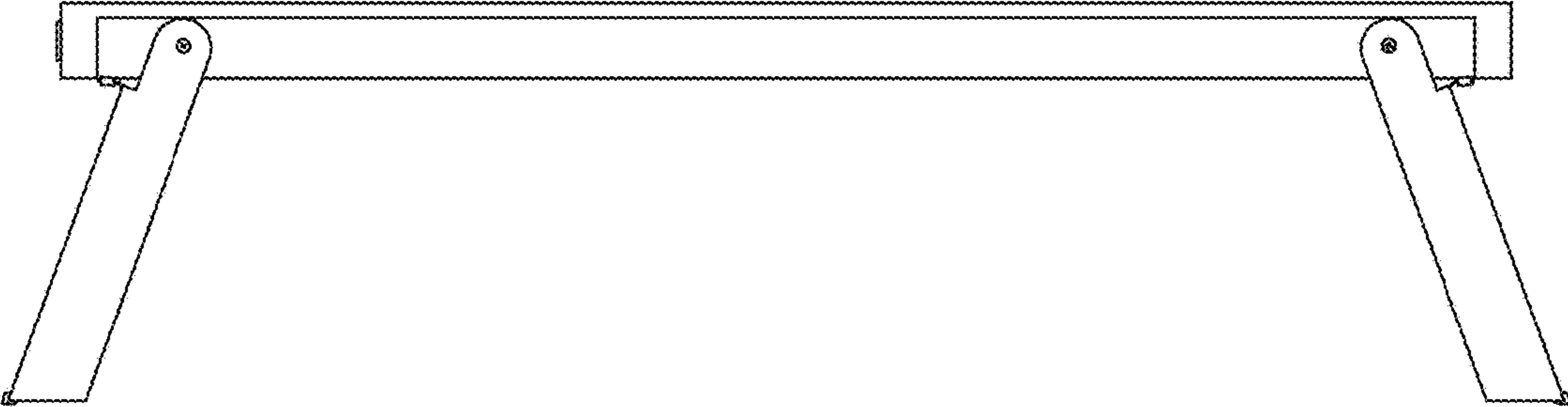


Fig. 9

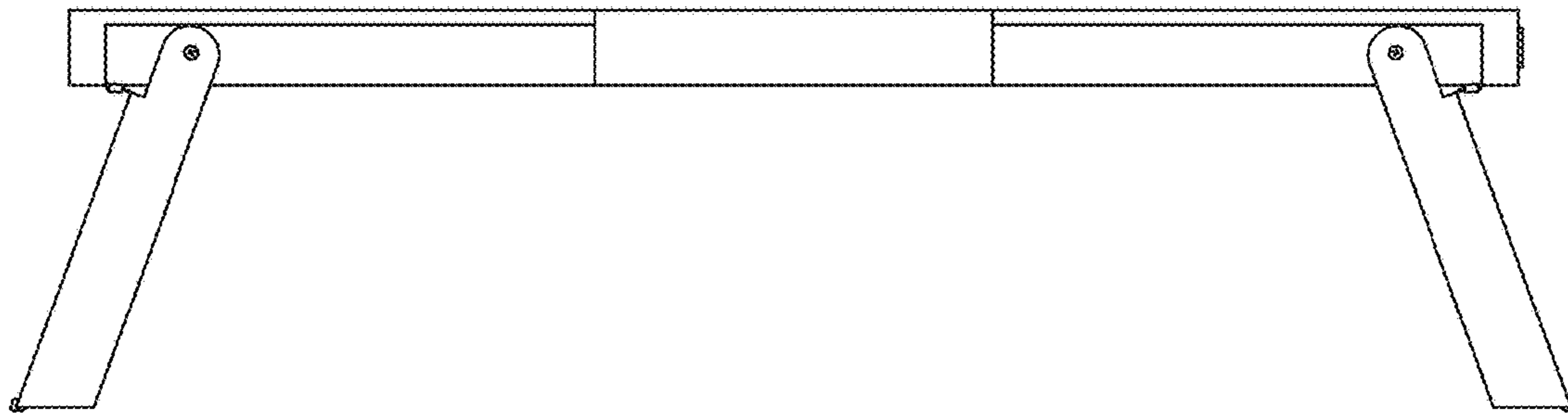


Fig. 10

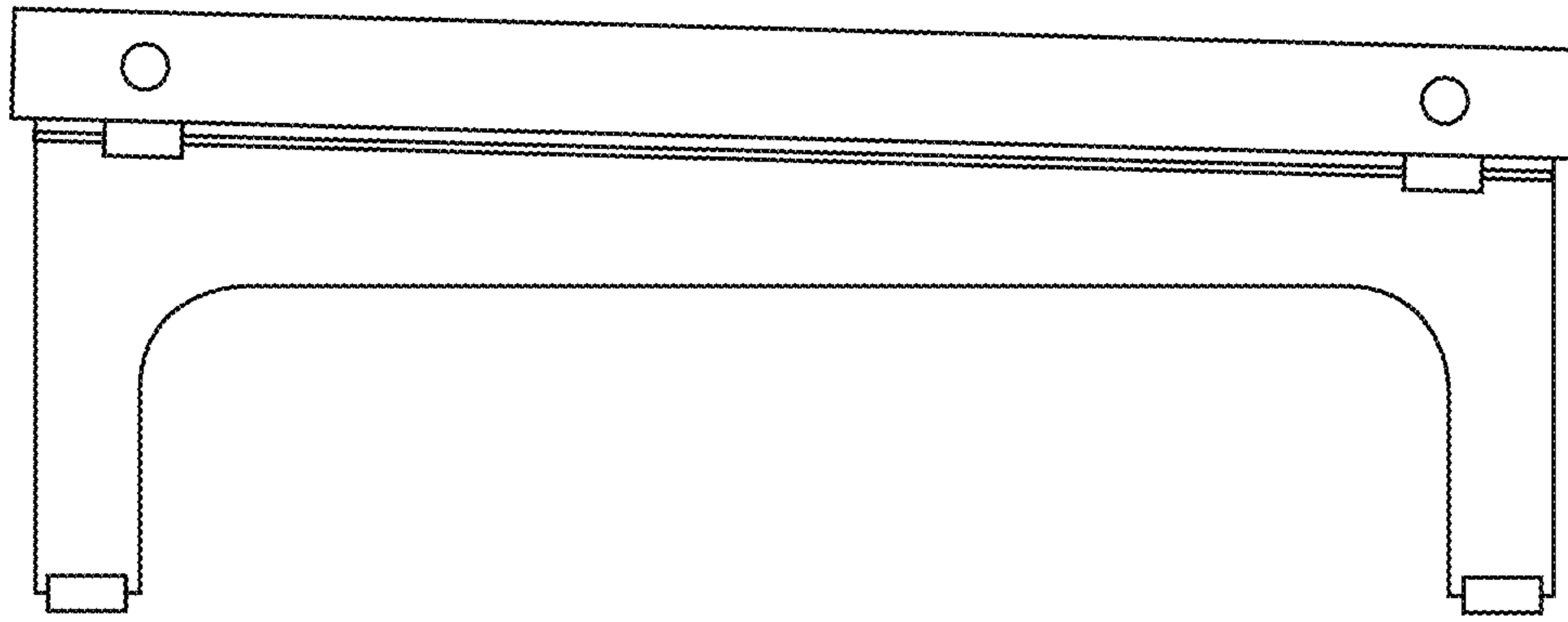


Fig. 11

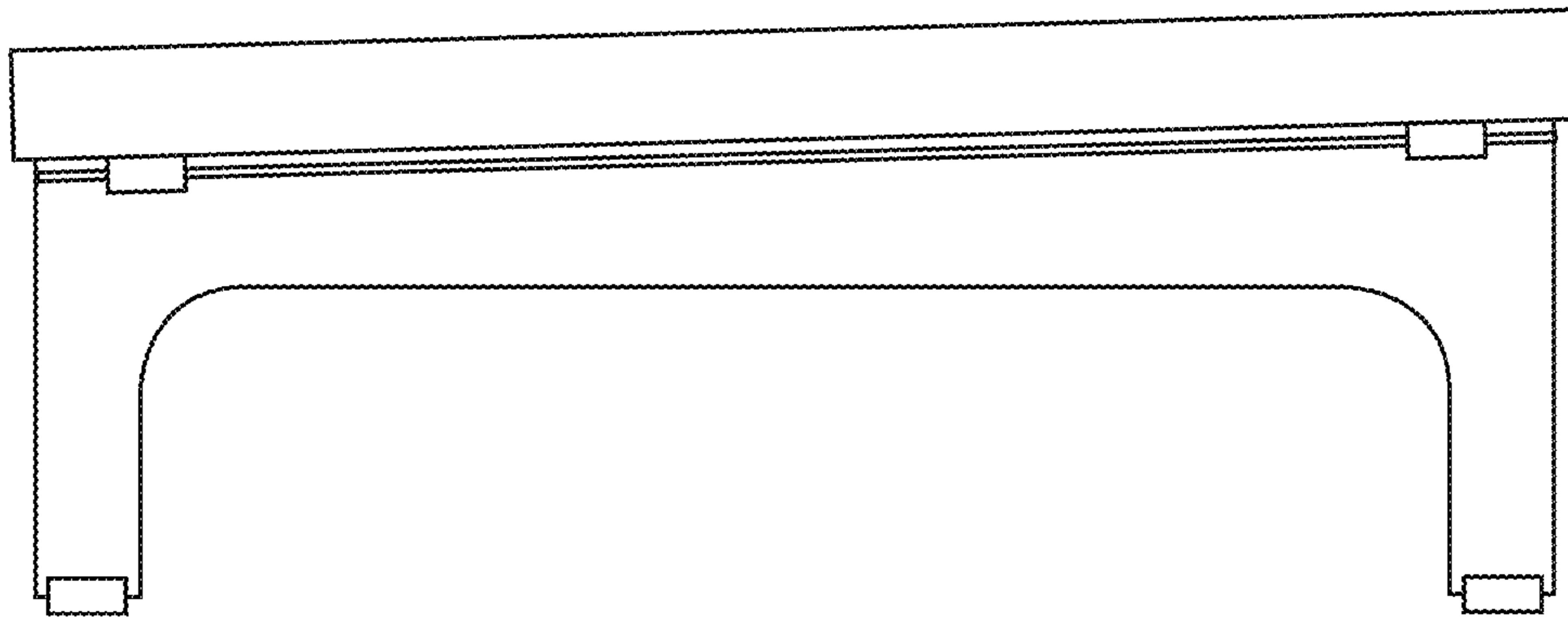


Fig. 12

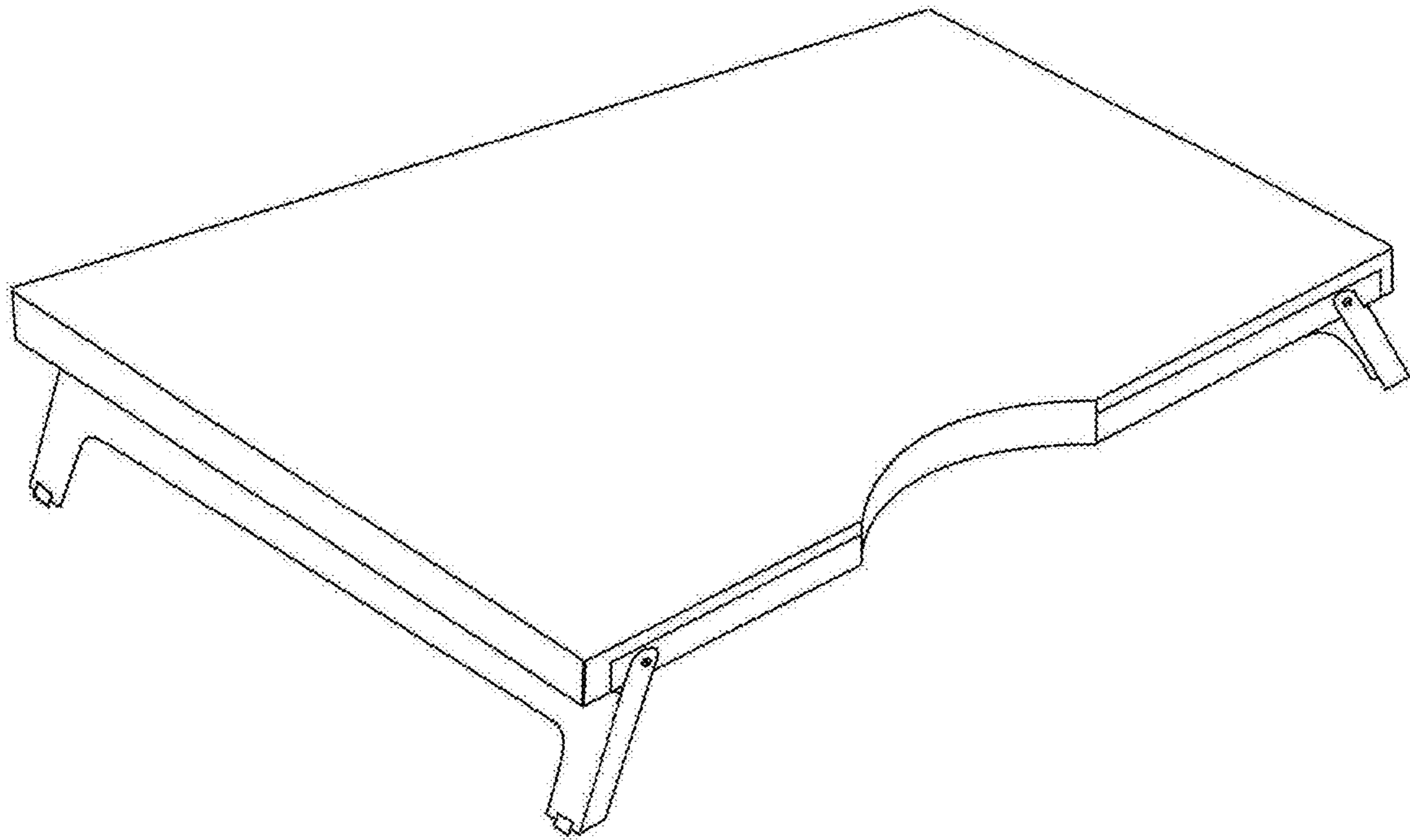


Fig. 13