



US00D869249S

(12) **United States Design Patent**
Mitchell

(10) **Patent No.:** **US D869,249 S**

(45) **Date of Patent:** **** Dec. 10, 2019**

(54) **COMBINED COASTER SET AND TRIVET**

(71) Applicant: **THE TRAVELED LANE LLC**,
Deerfield, NH (US)

(72) Inventor: **Kelly Mitchell**, Deerfield, NH (US)

(73) Assignee: **THE TRAVELED LANE LLC**,
Deerfield, NH (US)

(**) Term: **15 Years**

(21) Appl. No.: **29/632,636**

(22) Filed: **Jan. 9, 2018**

(51) **LOC (12) Cl.** **07-06**

(52) **U.S. Cl.**
USPC **D7/624.1**

(58) **Field of Classification Search**
USPC D7/619.1-625, 387, 388, 389; D25/113,
D25/157, 160, 138, 151, 140
CPC A47G 23/02; A47G 23/032; A47G 23/03;
A47G 23/0303; A47G 23/0309; B60N
3/102; B32B 43/00
See application file for complete search history.

(56) **References Cited**

U.S. PATENT DOCUMENTS

D260,070 S *	8/1981	Haverland	D7/388
D336,205 S *	6/1993	Cooper	D7/624.1
D371,043 S *	6/1996	Gannon	D7/354
D635,829 S *	4/2011	Morrish	D7/388

* cited by examiner

Primary Examiner — Terry A Wallace

(74) *Attorney, Agent, or Firm* — Davis & Bujold PLLC;
Michael J. Bujold

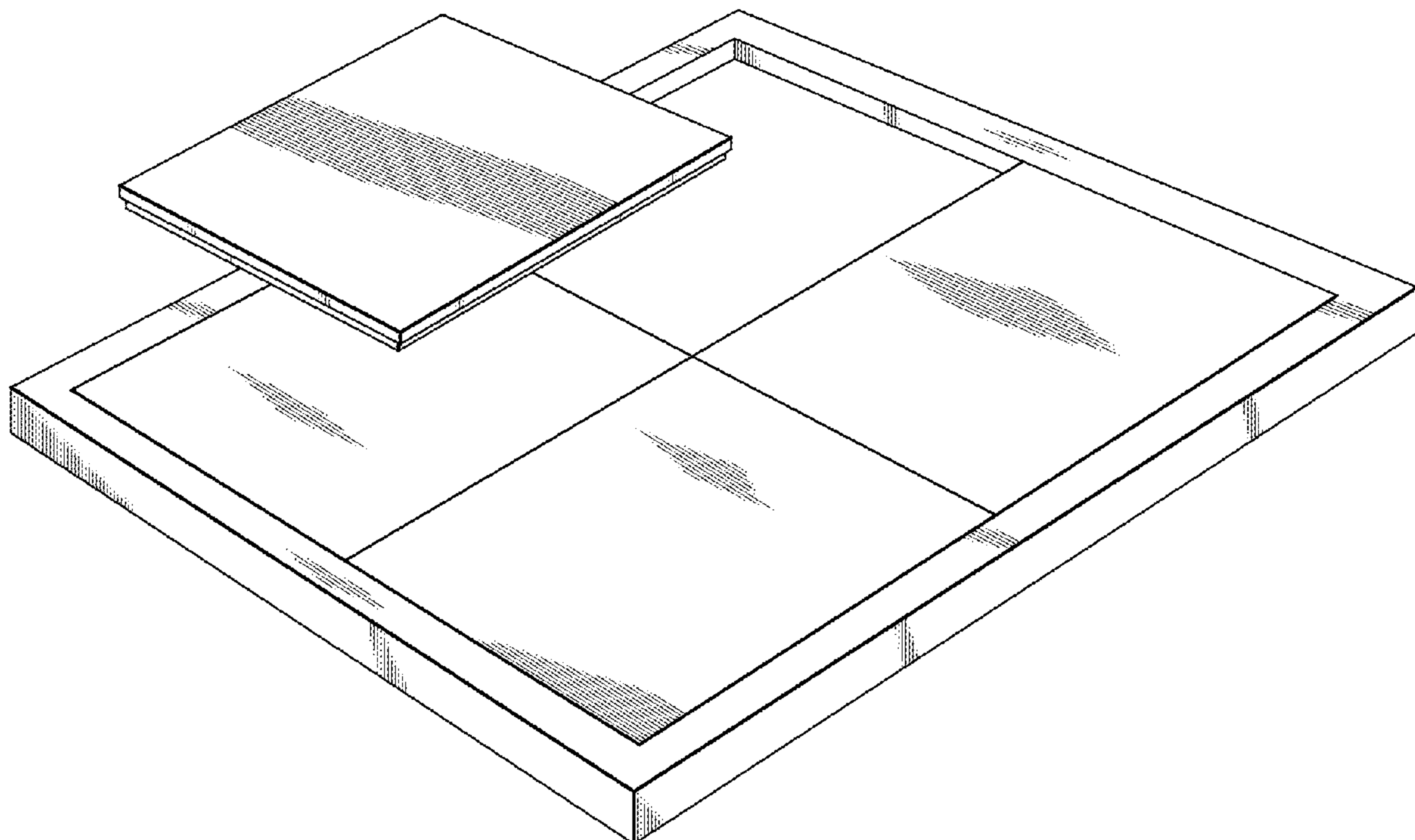
(57) **CLAIM**

I claim the ornamental design for a combined coaster set and trivet, as shown and described.

DESCRIPTION

FIG. 1 is a perspective view of a combined coaster set and trivet embodying my new design;
 FIG. 2 is a top view thereof;
 FIG. 3 is a left side view thereof;
 FIG. 4 is a right side view thereof;
 FIG. 5 is a front view thereof;
 FIG. 6 is a back view thereof;
 FIG. 7 is a bottom view thereof;
 FIG. 8 is a perspective view of the combined coaster set and trivet with one of the four coasters removed;
 FIG. 9 is a perspective view of the one of the coasters of the combined coaster set and trivet;
 FIG. 10 is a top view of the one of the coasters shown in FIG. 9;
 FIG. 11 is a left side view of the one of the coasters shown in FIG. 9;
 FIG. 12 is a right side view of the one of the coasters shown in FIG. 9;
 FIG. 13 is a back view of the one of the coasters shown in FIG. 9;
 FIG. 14 is a front view of the one of the coasters shown in FIG. 9; and,
 FIG. 15 is a bottom view one of the coasters shown in FIG. 9.

1 Claim, 5 Drawing Sheets



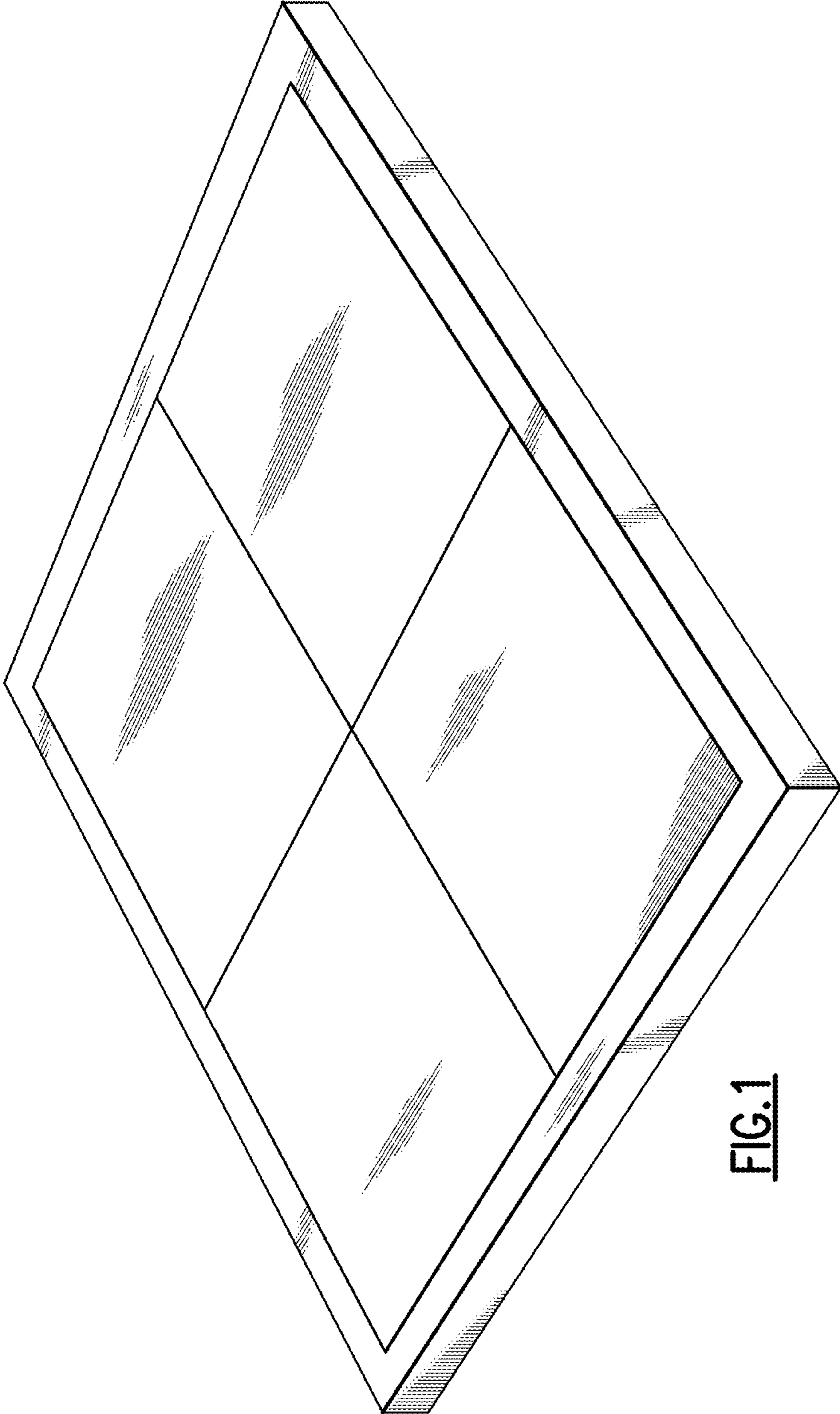


FIG. 1

FIG.6



FIG.4

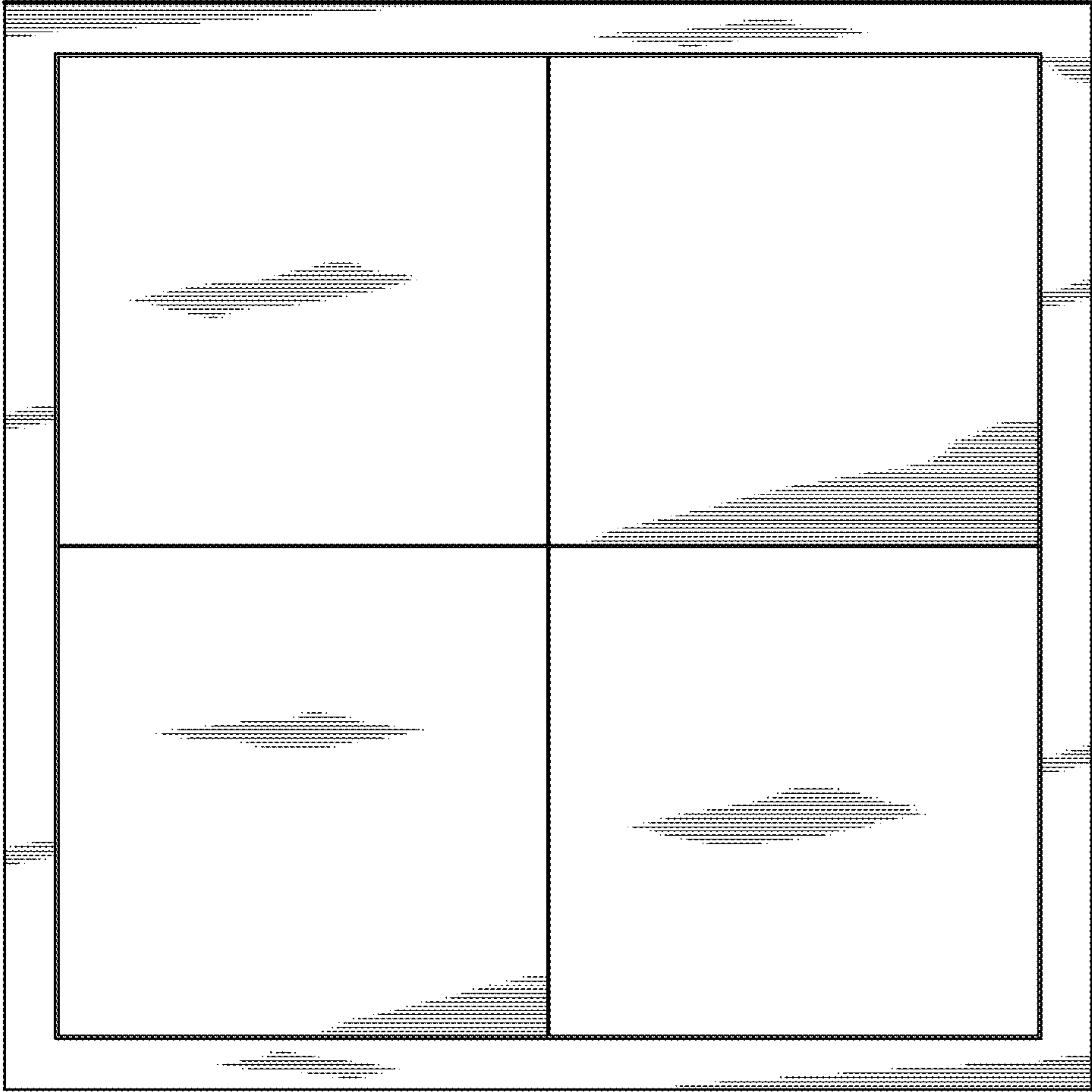


FIG.2

FIG.5



FIG.3

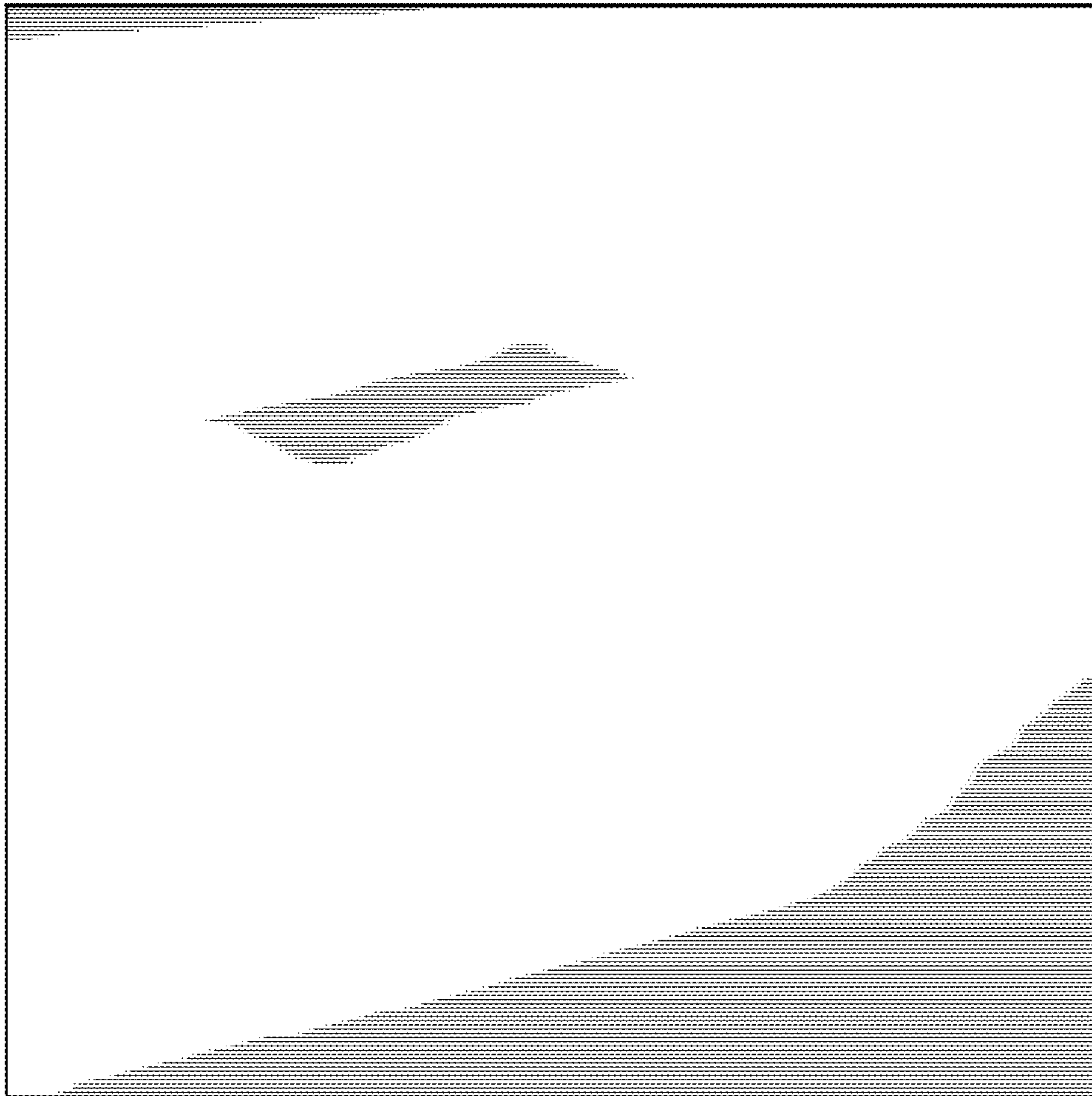


FIG. 7

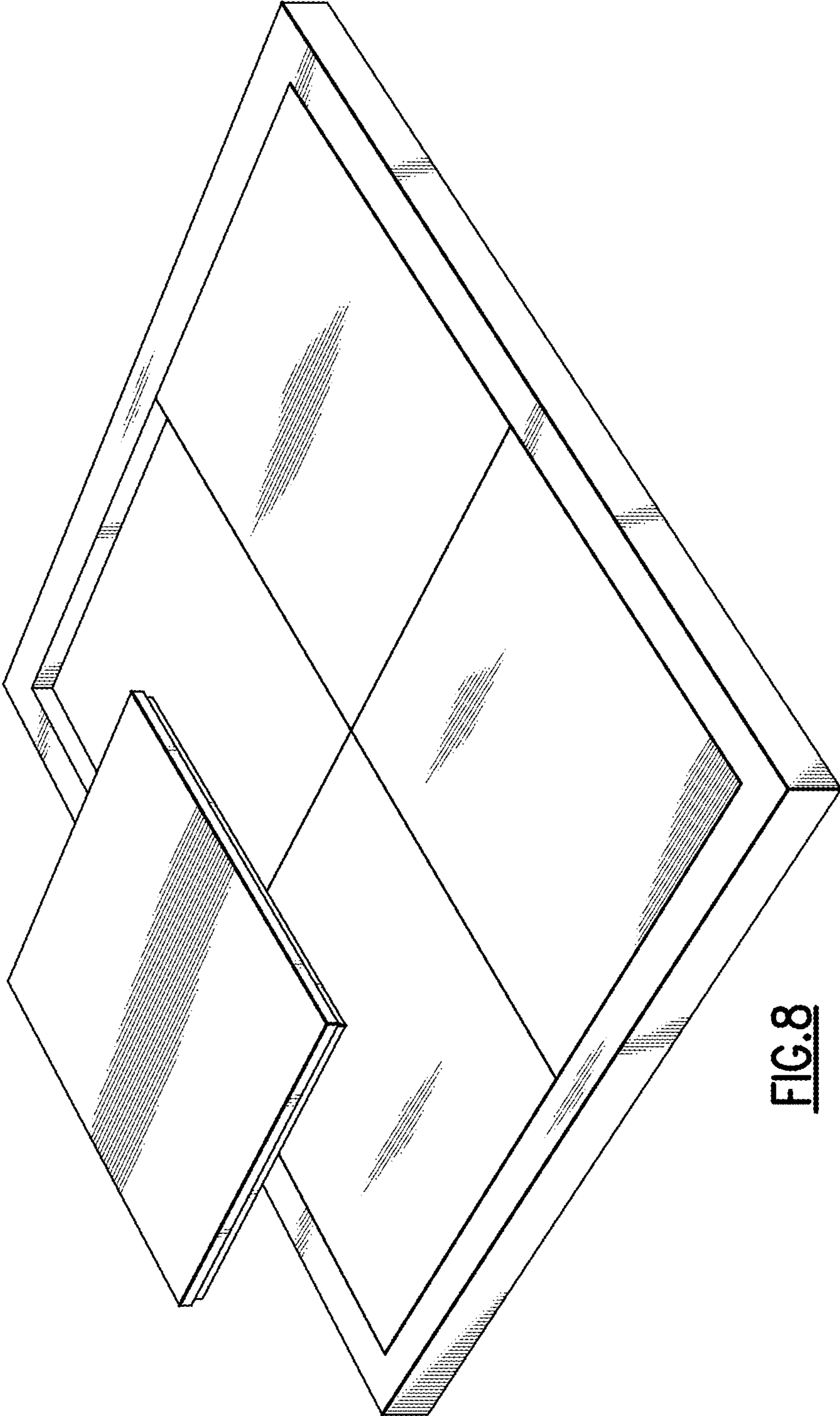


FIG. 8

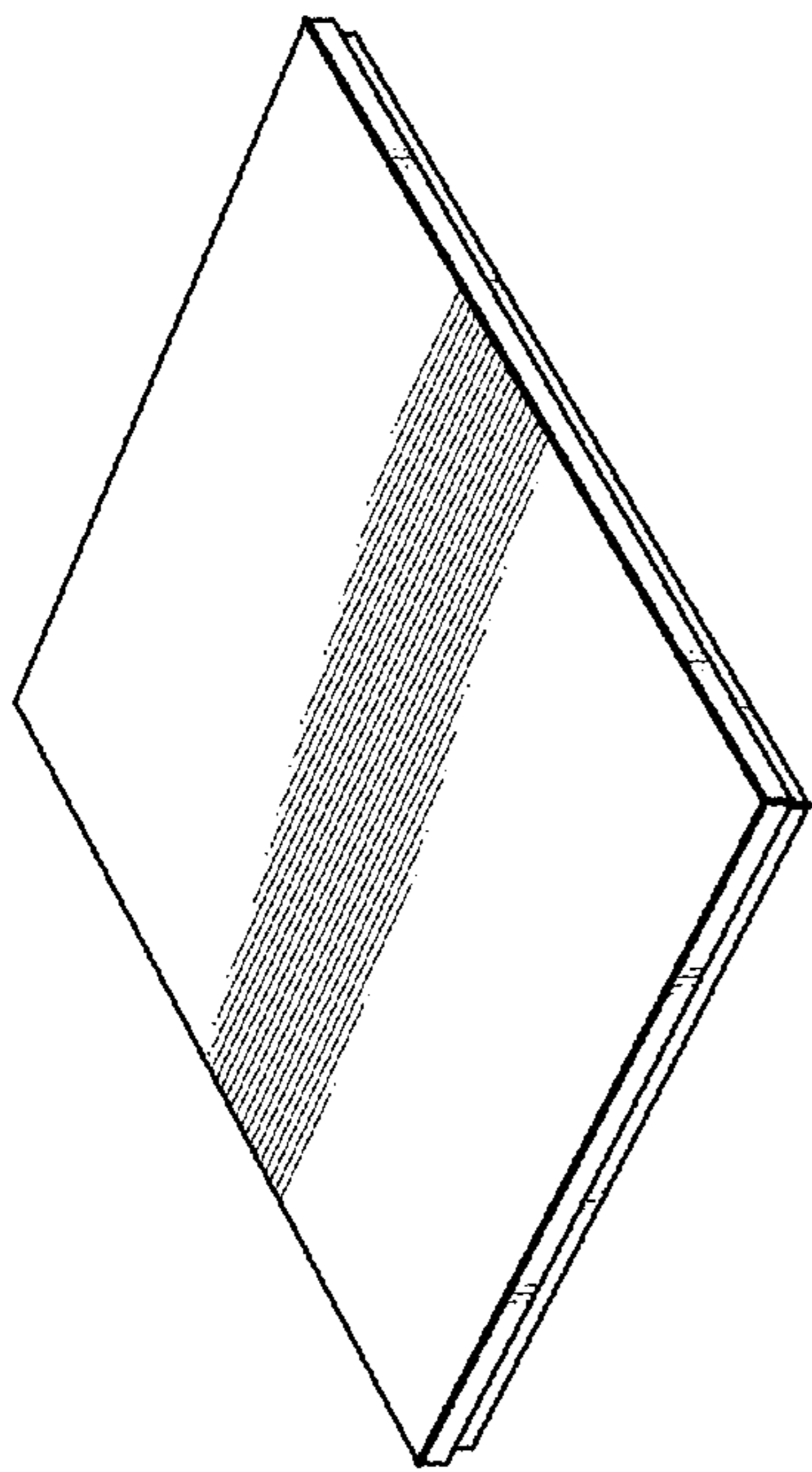


FIG. 9

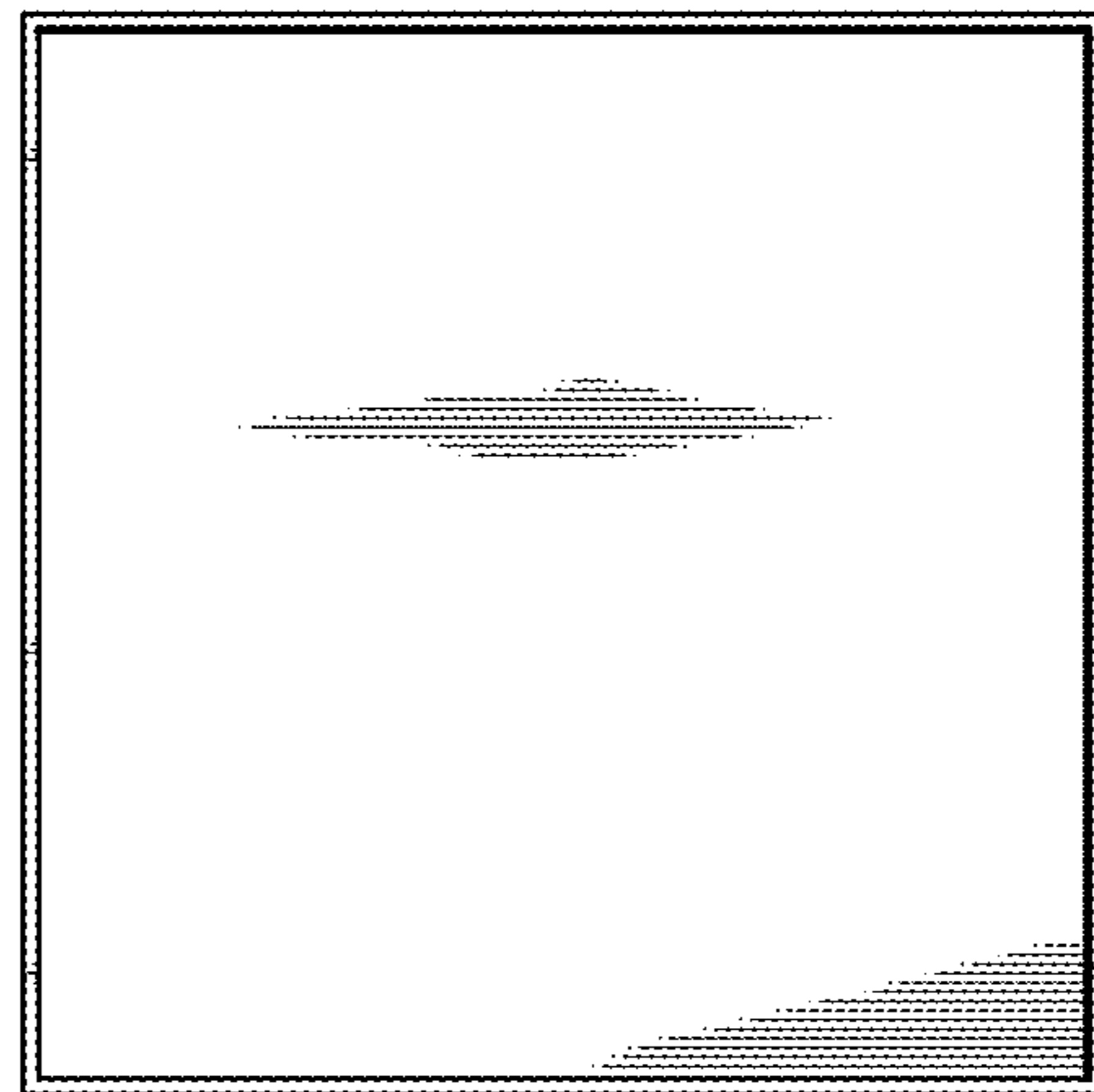


FIG. 15



FIG. 13

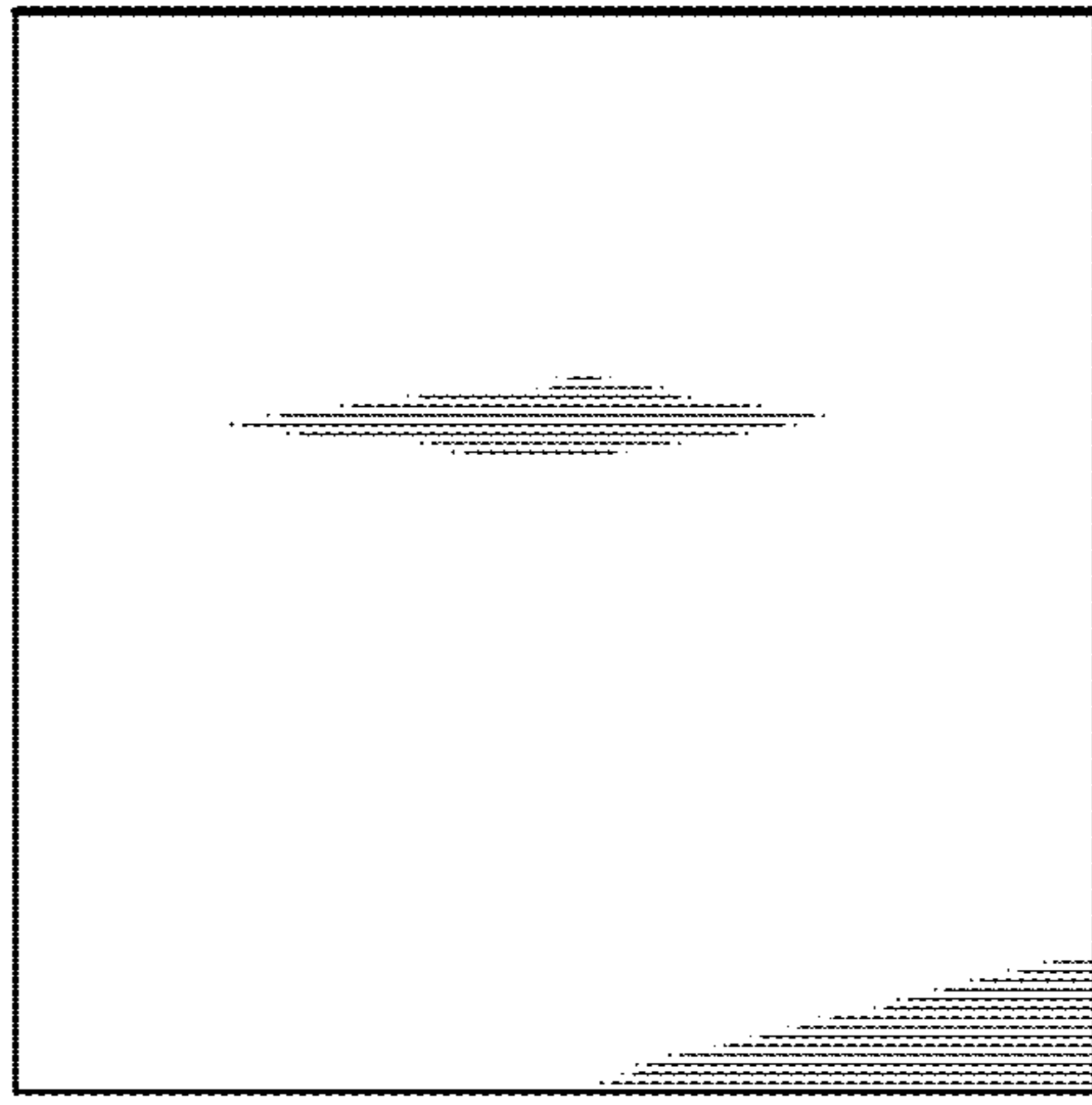


FIG. 10



FIG. 14

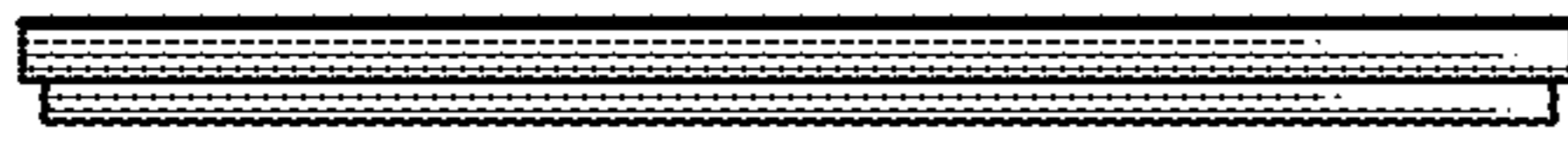


FIG. 11



FIG. 12