

US00D869244S

(12) **United States Design Patent** Ellison et al. (10) **Patent No.:** **US D869,244 S**  
(45) **Date of Patent:** **\*\* Dec. 10, 2019**

(54) **PORTABLE INSULATING CONTAINER**  
(71) Applicant: **YETI Coolers, LLC**, Austin, TX (US)  
(72) Inventors: **Kyle Ellison**, Austin, TX (US); **Rafael Moreno**, The Woodlands, TX (US); **Colin Darling**, Austin, TX (US); **Evan Goldberg**, Austin, TX (US); **Lane Van Wagner**, Austin, TX (US)  
(73) Assignee: **YETI Coolers, LLC**, Austin, TX (US)

5,306,029 A 4/1994 Kaiser, II  
5,373,708 A 12/1994 Dumoulin, Jr.  
5,407,218 A 4/1995 Jackson  
5,465,985 A 11/1995 Devan et al.  
(Continued)

**FOREIGN PATENT DOCUMENTS**

CN 3403648 11/2004  
CN 3407989 12/2004  
(Continued)

(\*\*) Term: **15 Years**

**OTHER PUBLICATIONS**

(21) Appl. No.: **29/647,444**

EBAY, "Wheeled Coolers" search results [online]; retrieved Dec. 11, 2018; URL: <https://www.ebay.com/bhp/wheeled-cooler>.

(22) Filed: **May 13, 2018**

(Continued)

(51) **LOC (12) Cl.** ..... **07-01**

*Primary Examiner* — Terry A Wallace

(52) **U.S. Cl.**  
USPC ..... **D7/605**

(74) *Attorney, Agent, or Firm* — Banner & Witcoff, Ltd.

(58) **Field of Classification Search**  
USPC ..... D7/605–608, 629, 630, 709, 710;  
D3/272–274

(57) **CLAIM**

The ornamental design for a portable insulating container, as shown and described.

CPC ..... B65D 81/3888; B65D 81/38; B65D 81/3813; B65D 81/3816; B65D 81/3818; B65D 81/3823; B65D 81/3858; A45C 11/20; A45C 5/14; A45C 5/03; A45C 9/00; A45F 3/46; F25D 3/02; F25D 3/04; F25D 3/06; F25D 3/08; F25D 3/11; F25D 3/14; F25D 2331/804; F25D 31/005; A47B 77/08; A47J 41/022; A47G 19/2288; B26B 3/003; F25B 19/00  
See application file for complete search history.

**DESCRIPTION**

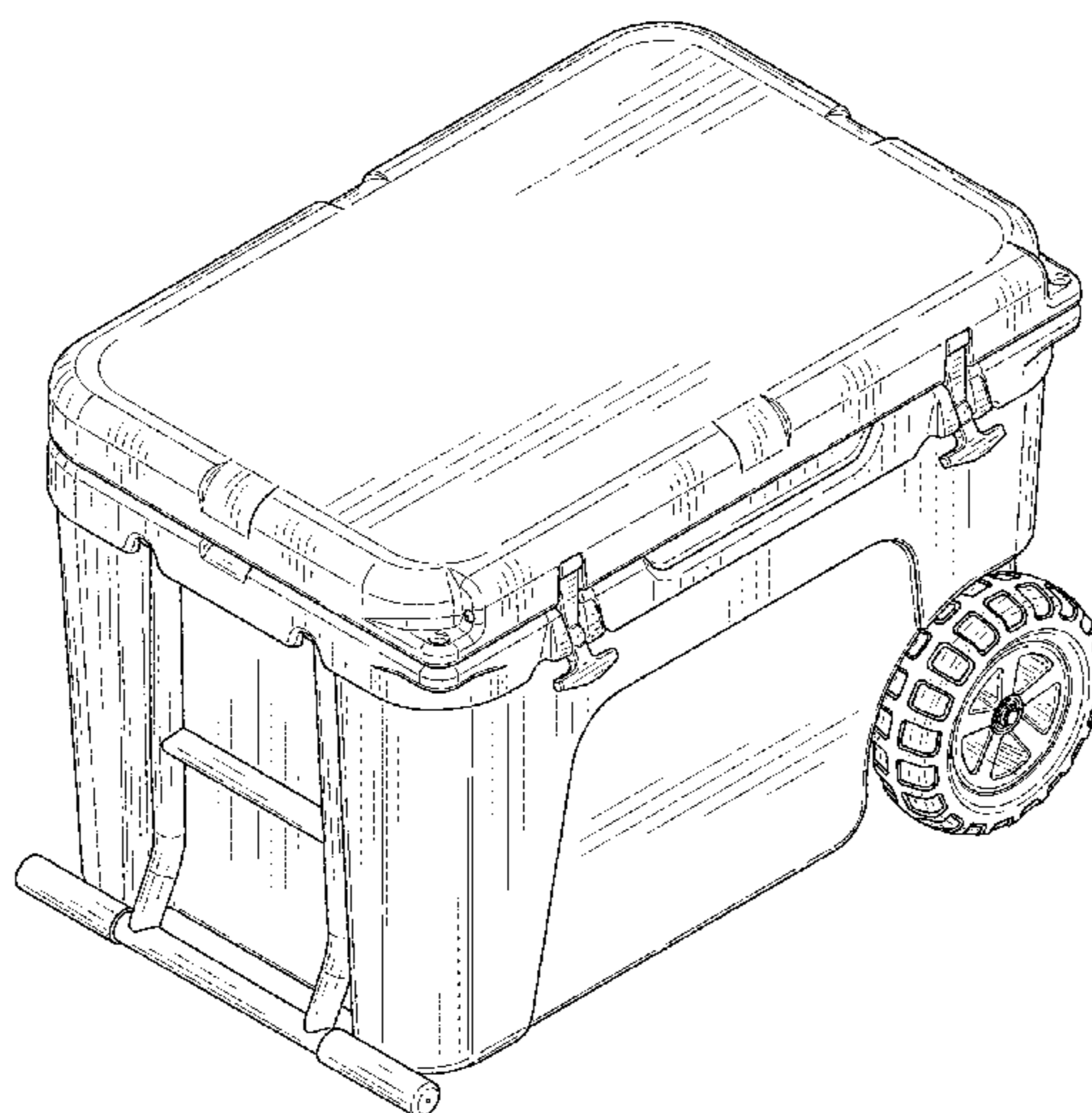
FIG. 1 is a top, front, left perspective view of a portable insulating container showing our new design;  
FIG. 2 is a top, front, right perspective view thereof;  
FIG. 3 is a front view thereof;  
FIG. 4 is a rear view thereof;  
FIG. 5 is a right side view thereof;  
FIG. 6 is a left side view thereof;  
FIG. 7 is a top view thereof;  
FIG. 8 is a bottom view thereof;  
FIG. 9 is a top, front, left perspective view of a portable insulating container showing our design in an alternate configuration;  
FIG. 10 is a left side view thereof; and,  
FIG. 11 is a front view thereof.

(56) **References Cited**

**U.S. PATENT DOCUMENTS**

4,846,493 A 7/1989 Mason  
D328,689 S \* 8/1992 Riskowski ..... D15/83  
5,228,706 A 7/1993 Boville  
5,232,232 A 8/1993 Kishi  
5,249,438 A 10/1993 Rhaney et al.  
5,285,656 A 2/1994 Peters

**1 Claim, 11 Drawing Sheets**



(56)

References Cited

U.S. PATENT DOCUMENTS

D369,695 S \* 5/1996 Imotani ..... D6/686  
 5,772,222 A 6/1998 Sim et al.  
 D415,658 S 10/1999 Frehse  
 D429,606 S 8/2000 Israel et al.  
 6,116,701 A 9/2000 Kuo  
 6,131,925 A 10/2000 Weldon  
 6,182,462 B1 \* 2/2001 Bania ..... A45C 11/20  
 62/264  
 6,463,756 B1 10/2002 Lewis  
 6,467,779 B1 10/2002 Mills  
 6,592,133 B2 7/2003 Powell  
 D479,440 S 9/2003 Kennedy  
 D480,276 S 10/2003 Duart et al.  
 6,755,428 B2 6/2004 Butler  
 D503,413 S 3/2005 Diaz  
 D505,836 S 6/2005 Burkholder  
 D514,891 S 2/2006 Garcia et al.  
 D566,479 S 4/2008 Kabalin  
 D587,972 S 3/2009 Dorisca et al.  
 D612,670 S 3/2010 Sanchez et al.  
 D649,783 S 12/2011 Brunner  
 D660,589 S \* 5/2012 Ayjian ..... D3/260  
 D667,697 S 9/2012 Shah  
 8,256,156 B1 9/2012 Burgoyne, Jr.  
 8,851,282 B2 10/2014 Brunner  
 D743,171 S 11/2015 Reinhart  
 9,199,782 B1 12/2015 Cliatt  
 D758,729 S 6/2016 Tonelli et al.  
 D780,521 S 3/2017 Garcia et al.  
 2005/0217071 A1 10/2005 Shinner  
 2008/0179847 A1 7/2008 DeFrancia  
 2011/0226785 A1 9/2011 Sakell  
 2012/0132657 A1 \* 5/2012 Seiders ..... B65D 81/3816  
 220/592.2

2013/0062356 A1\* 3/2013 Deka ..... B65D 81/3823  
 220/592.25  
 2014/0197059 A1 7/2014 Evans et al.  
 2016/0348954 A1 12/2016 McBeth

FOREIGN PATENT DOCUMENTS

CN 301512222 4/2011  
 CN 301639026 8/2011  
 CN 301888389 4/2012  
 CN 302411562 4/2013  
 CN 302411563 4/2013  
 CN 302610891 10/2013  
 CN 302610892 10/2013  
 CN 303374735 9/2015  
 CN 303993733 1/2017  
 CN 304011514 1/2017  
 DE 29714544 U1 1/1998  
 DE 29908057 U1 9/1999  
 EM 002682229-0008 4/2015  
 WO 9522266 A1 8/1995  
 WO 11022866 A1 3/2011

OTHER PUBLICATIONS

Well Promo, "Wholesale—Igloo All Terrain Cooler 70 Quart";  
 retrieved Dec. 11, 2018; URL: <<http://www.wellpromo.com/Wholesale/Coolers/Igloo-All-Terrain-Cooler-70-Quart-212308.htm>>.  
 Coleman, "55 Quart Rugged 55 A/T Wheeled Cooler Detail"  
 [online]; retrieved Dec. 11, 2018; URL: <<http://www.coleman.com/55-quart-rugged-55-at-wheeled-cooler/3000004144.html>>.  
 YouTube, "Yeti Cooler All Terrain Wheel System—The Rambler  
 X1 Rambler Wheels for YETI Coolers" [online]; retrieved Dec. 11,  
 2018; URL: <<https://www.youtube.com/watch?v=kGLX0Rv8sUw&app=desktop>>.

\* cited by examiner

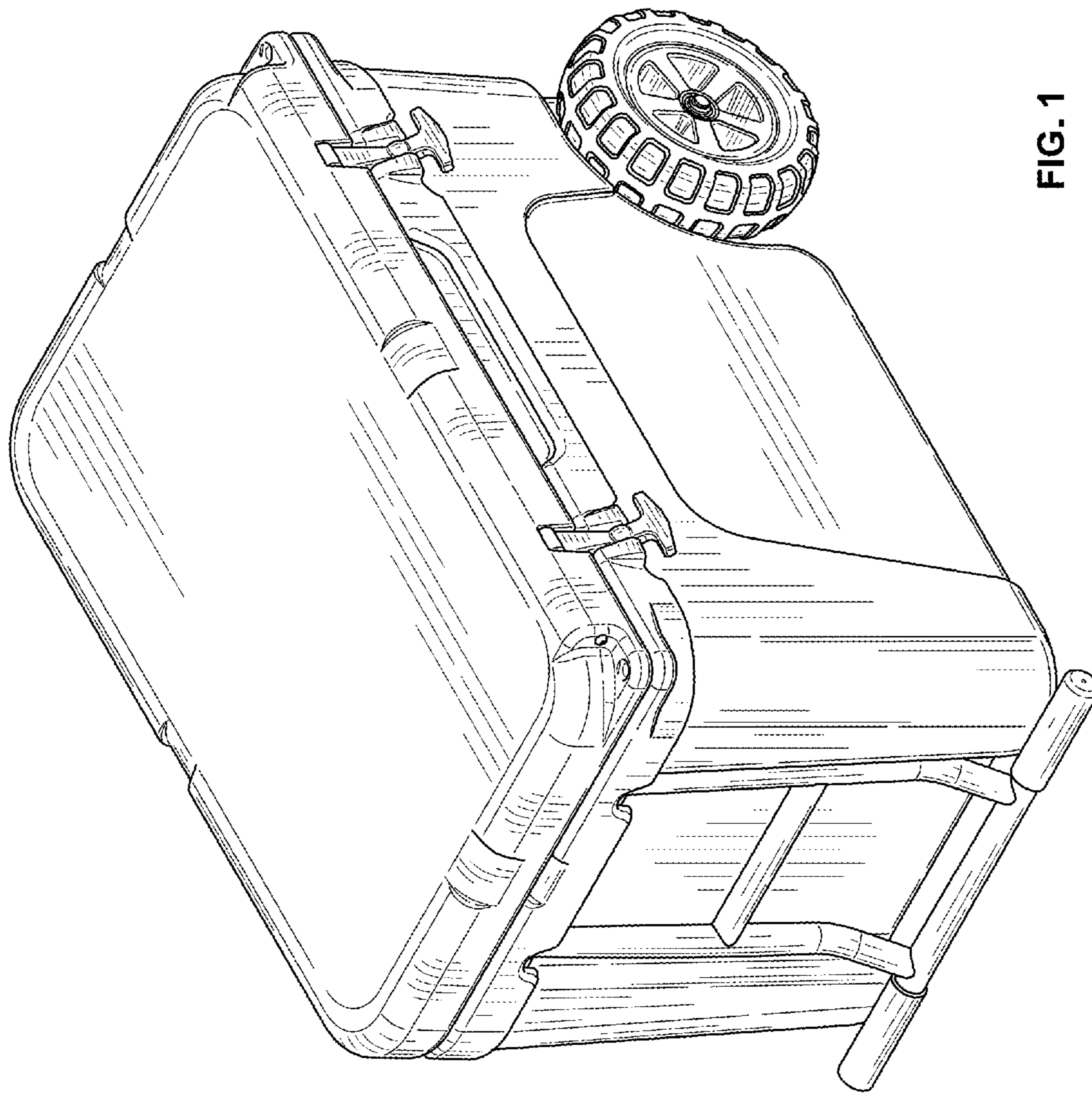


FIG. 1

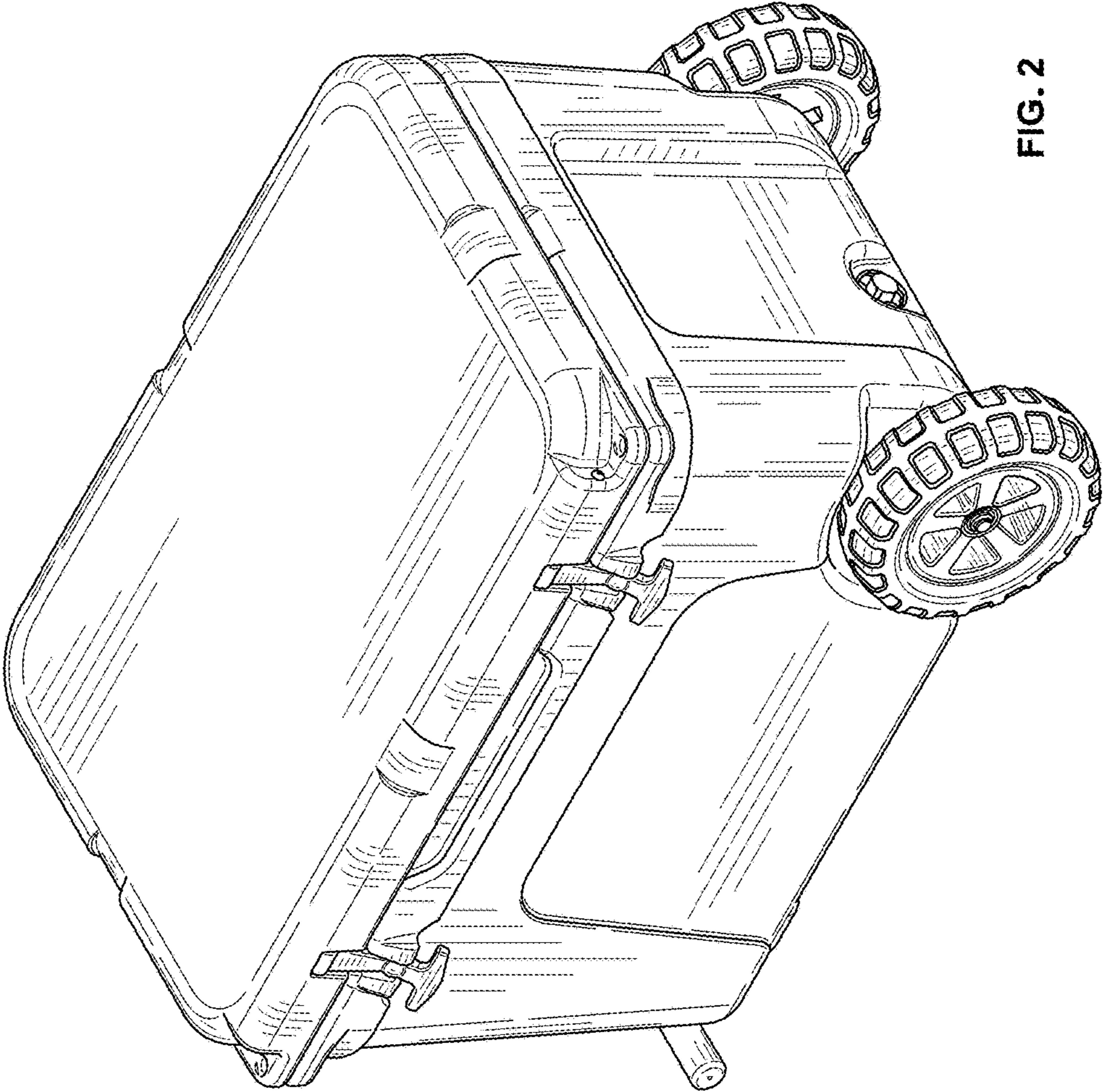


FIG. 2

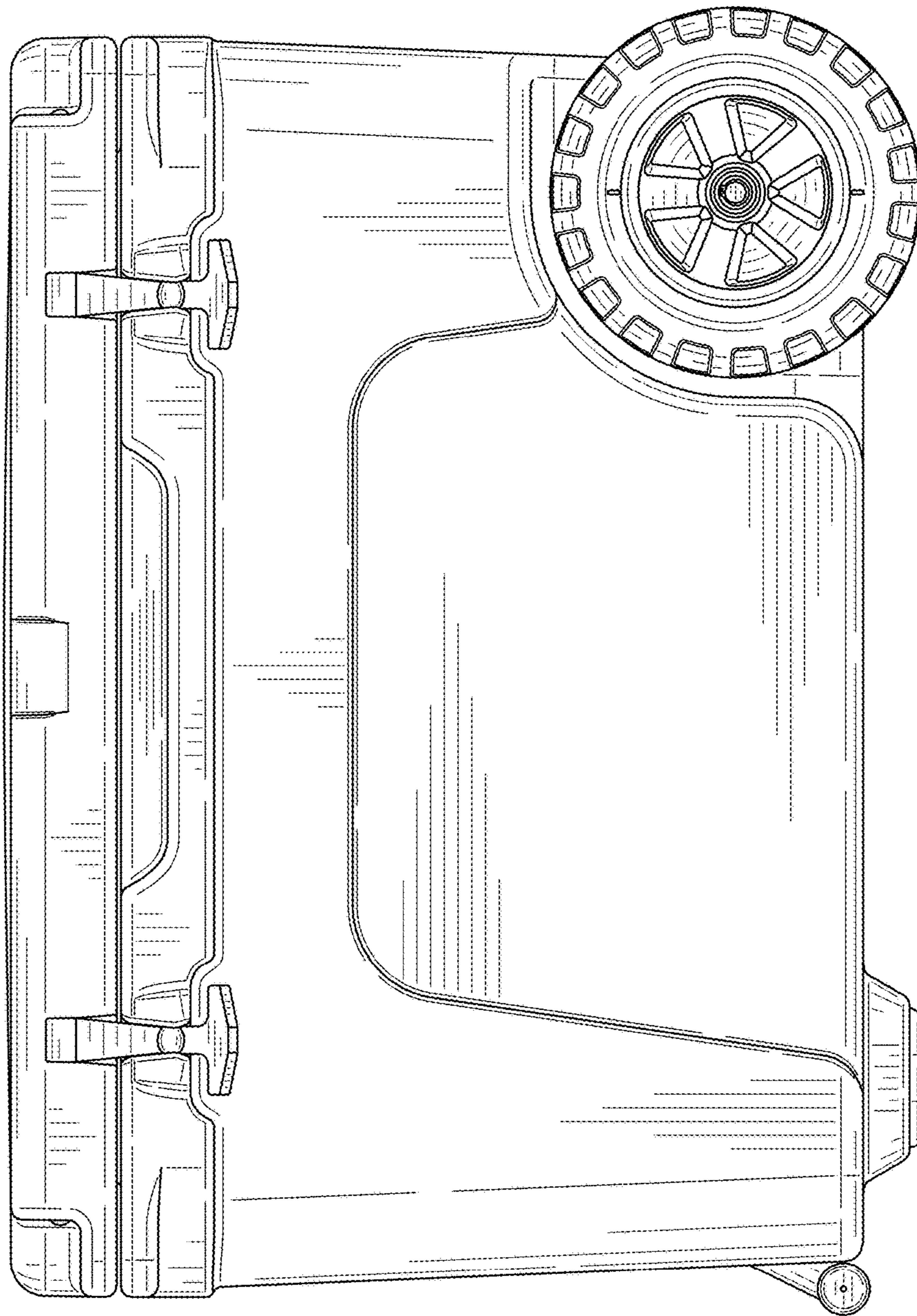


FIG. 3

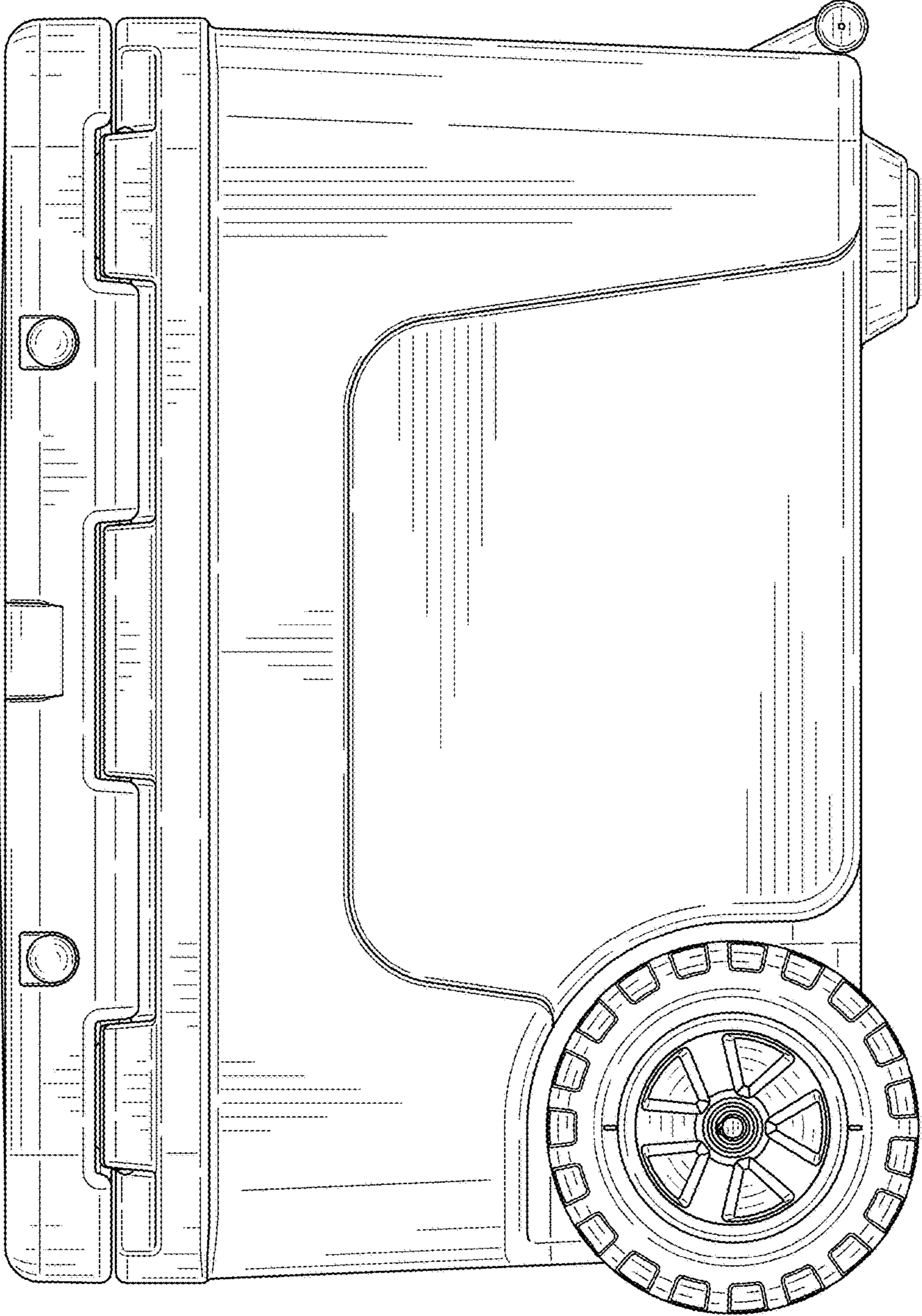


FIG. 4

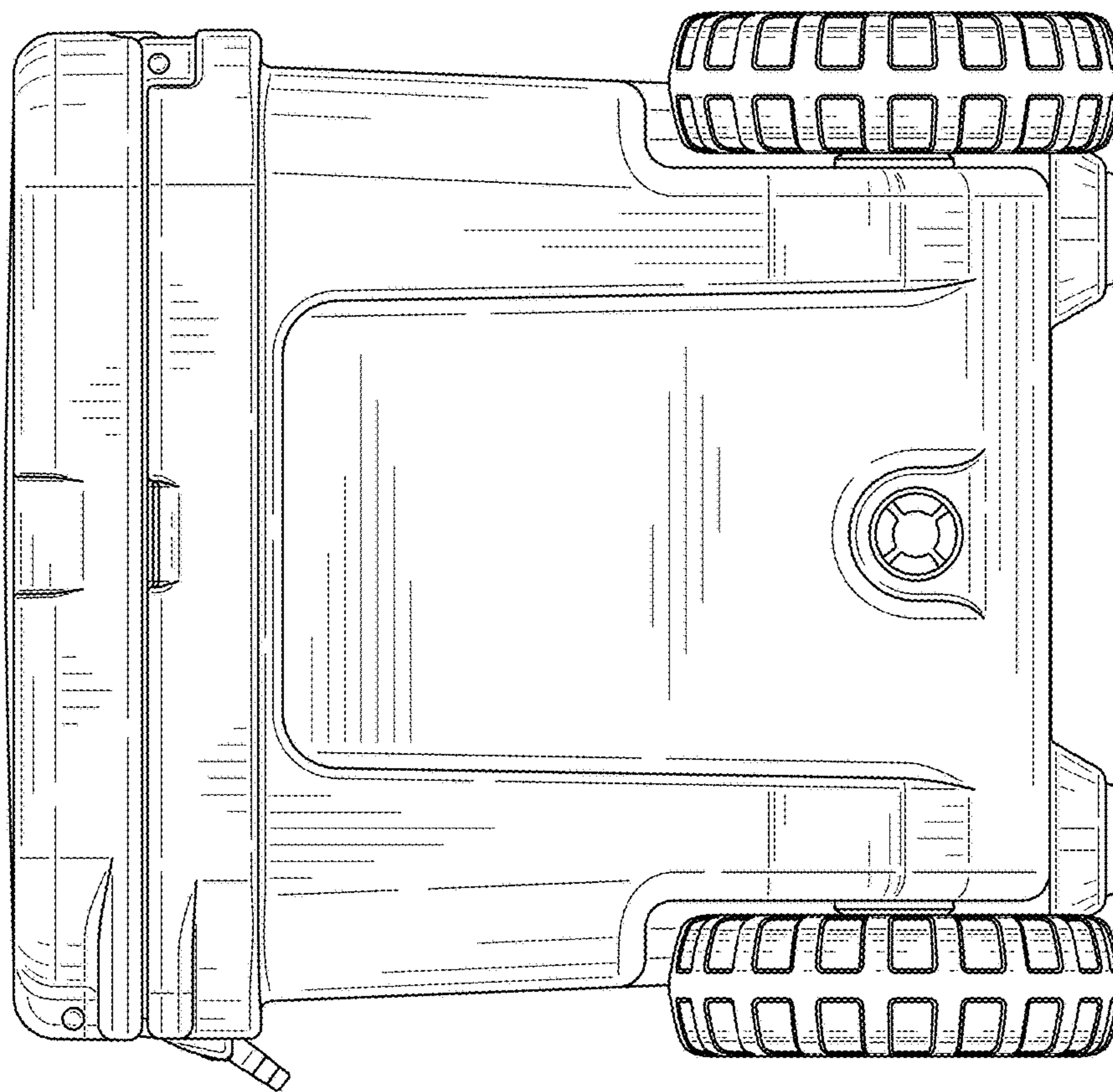


FIG. 5

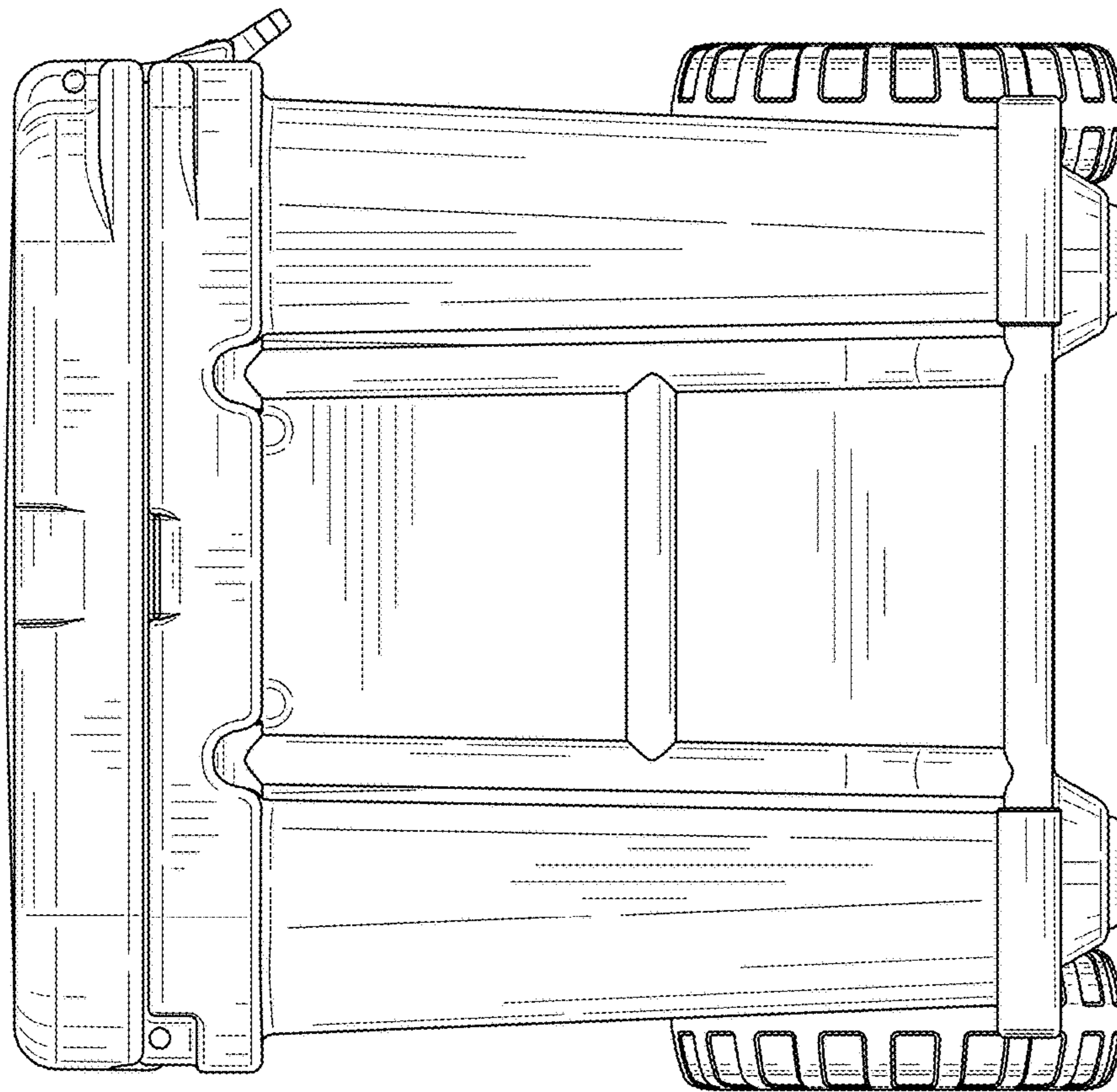


FIG. 6



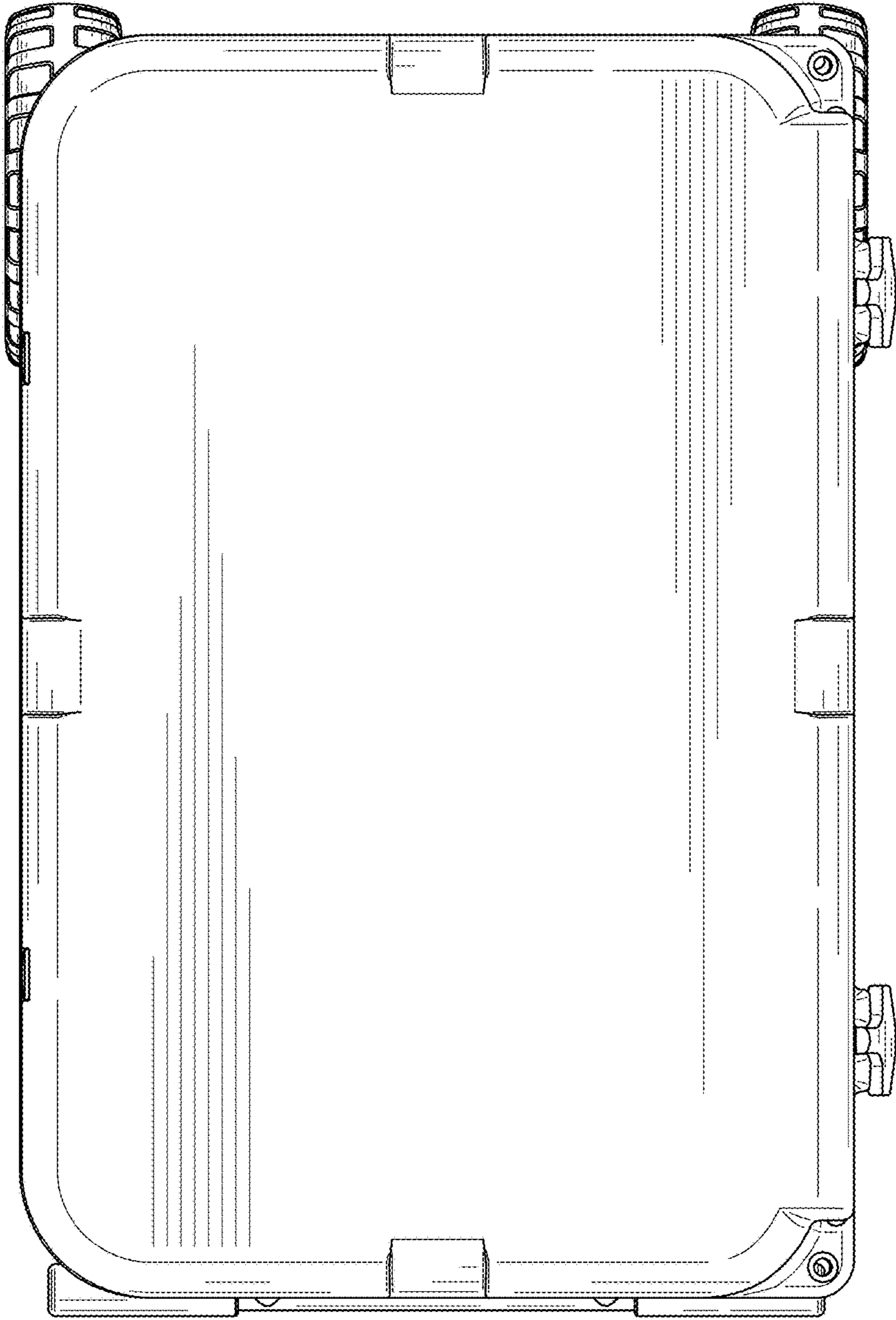


FIG. 7

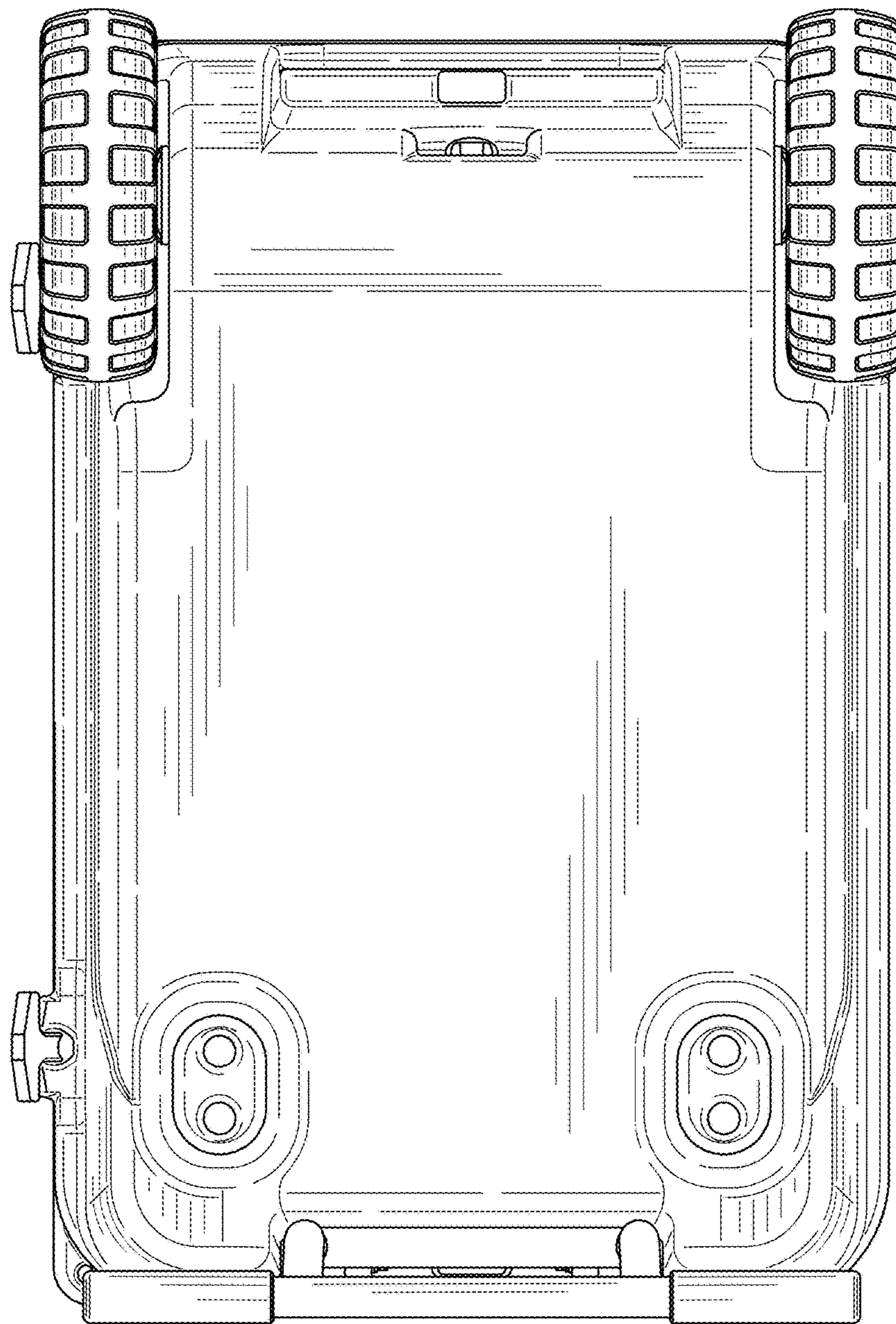


FIG. 8

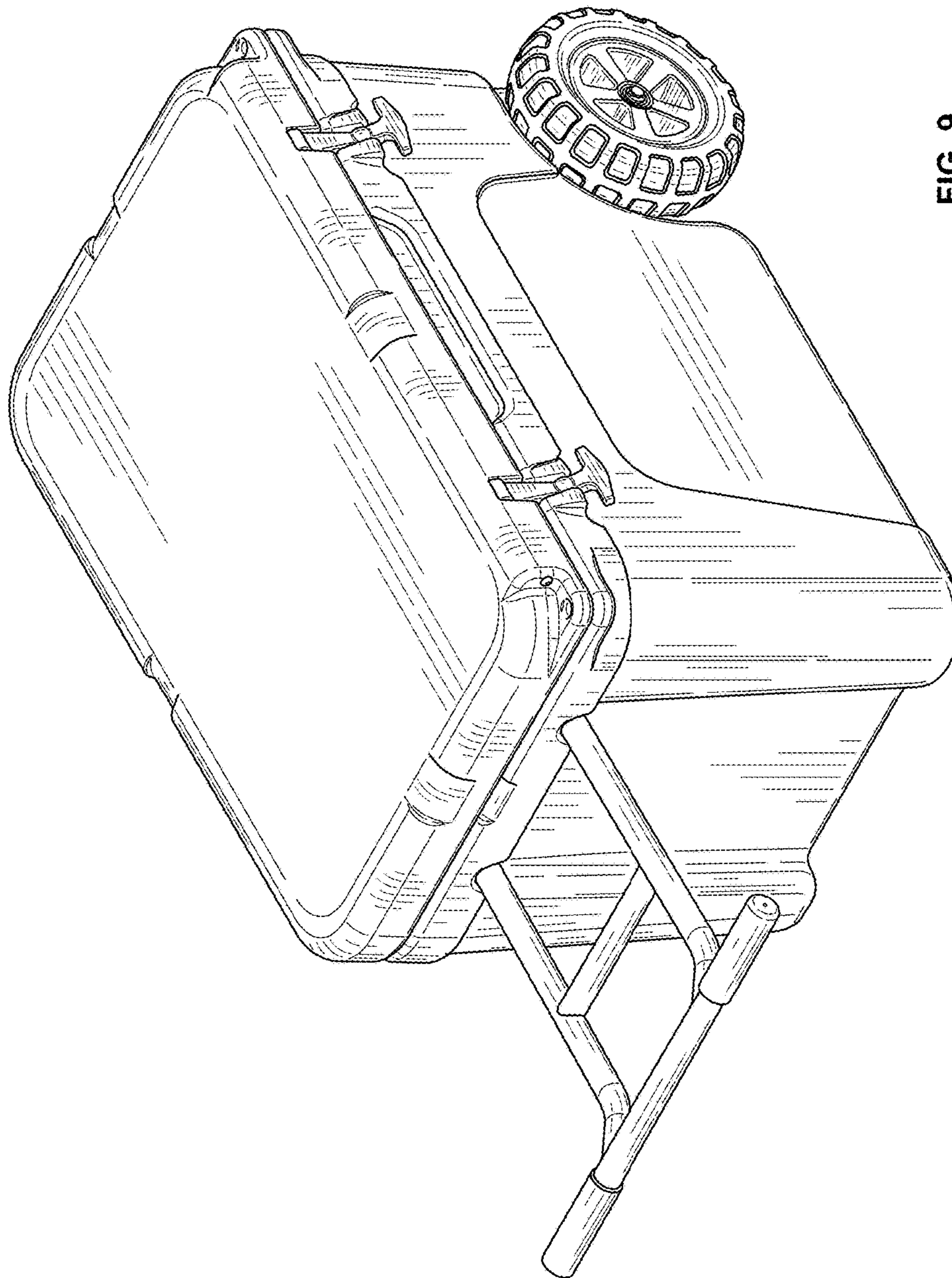


FIG. 9

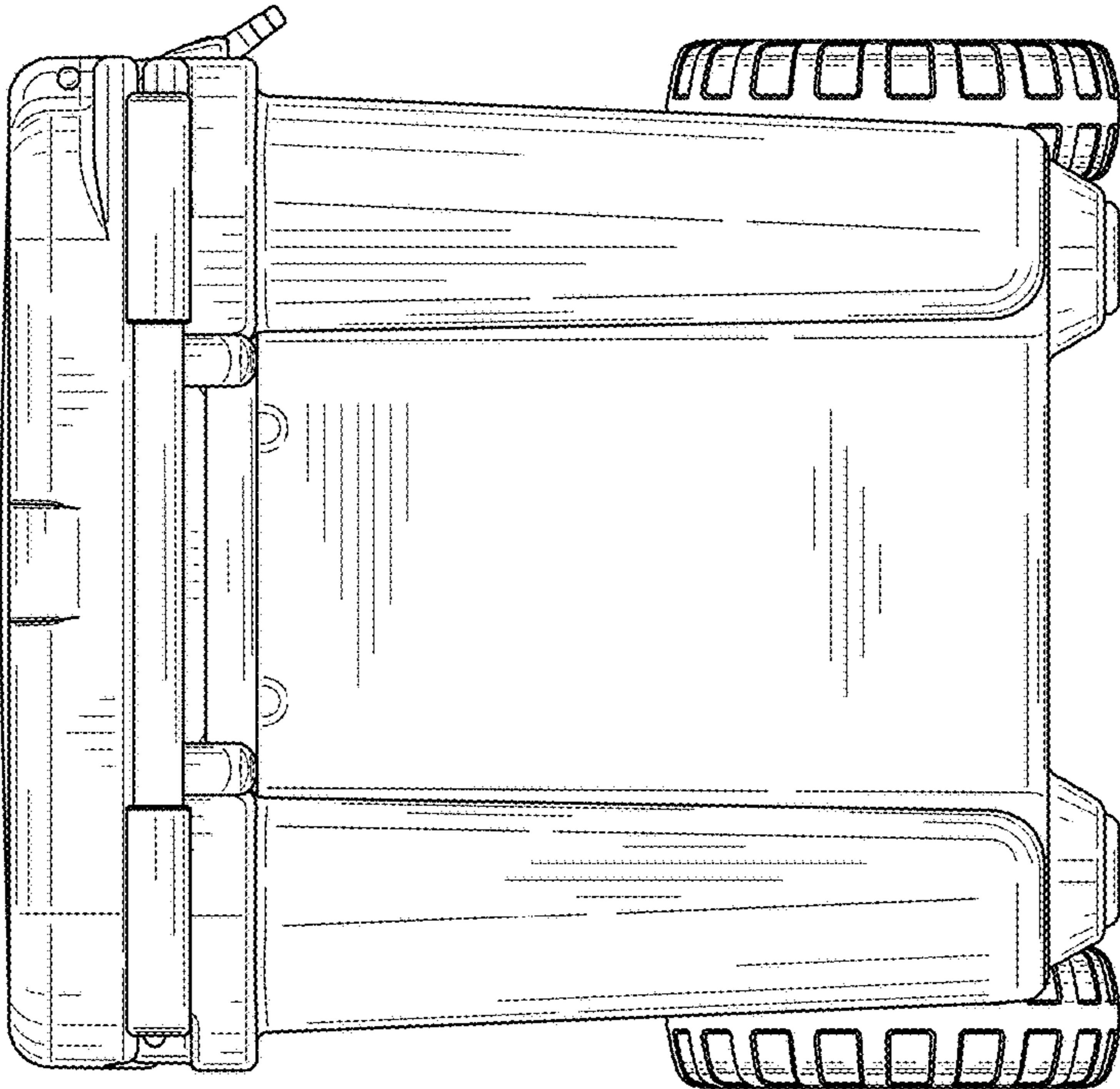


FIG. 10

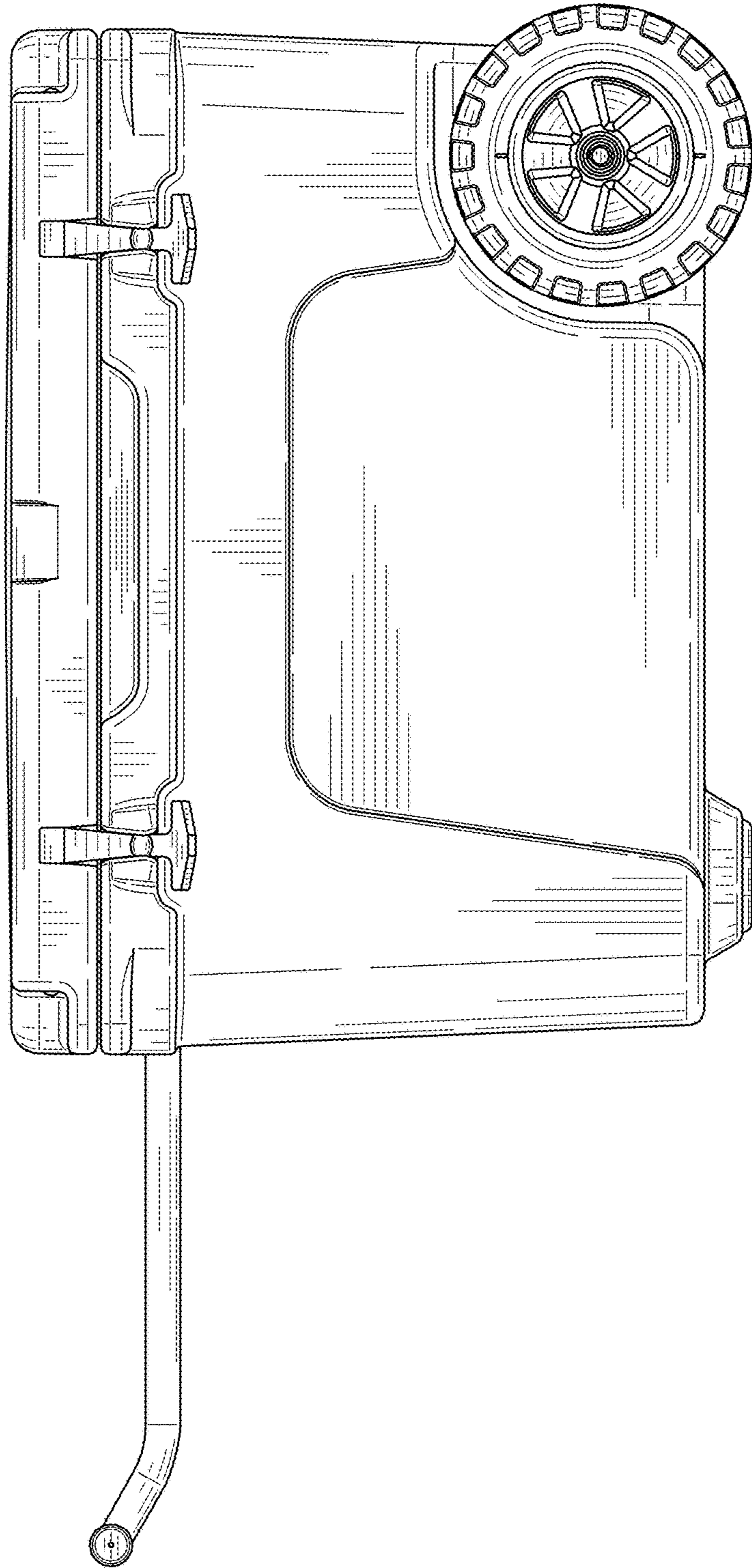


FIG. 11