



US00D869243S

(12) **United States Design Patent** (10) **Patent No.:** **US D869,243 S**
Palder (45) **Date of Patent:** **** Dec. 10, 2019**

(54) **CONDIMENT HOLDER**
(71) Applicant: **Saul Palder**, Hyde Park, MA (US)
(72) Inventor: **Saul Palder**, Hyde Park, MA (US)
(**) Term: **15 Years**
(21) Appl. No.: **29/639,590**
(22) Filed: **Mar. 7, 2018**

D511,941 S * 11/2005 McGuyer D7/600.1
D515,874 S * 2/2006 Aalberts D7/590
D518,685 S * 4/2006 Aalberts D7/590
D544,308 S * 6/2007 Tiemann A47J 31/44
D7/590
D567,034 S * 4/2008 Carallo D7/665
D606,369 S * 12/2009 Ruzycky D7/628
D656,798 S * 4/2012 Guastafeste D7/628
D659,461 S * 5/2012 Borovicka D7/354
D662,652 S * 6/2012 Browder D26/134
D673,427 S * 1/2013 Dewolf D7/600.1

(Continued)

(51) **LOC (12) Cl.** **70-99**
(52) **U.S. Cl.**

USPC **D7/600.1**

(58) **Field of Classification Search**

USPC D7/602, 704-705, 707, 590, 592-597,
D7/600.1-600.2, 630-632, 635, 640;
D6/524-525, 537, 546, 556, 566, 677.2,
D6/692.4-692.5, 696.3, 520, 534-535;
211/30, 106, 106.01, 181.1; D9/681, 761,
D9/741, 747, 737-739, 751, 756-758;
D3/306; 206/8, 202, 513; 248/146
CPC .. A47F 5/01; A47F 5/02; A47F 7/0064; A47L
19/04; F16M 11/00; A47K 3/281; A47K
1/09; A47B 55/02; A47G 21/001
See application file for complete search history.

(56) **References Cited**

U.S. PATENT DOCUMENTS

D19,539 S * 12/1889 Steffin D7/597
D145,928 S * 11/1946 Derham D30/160
D212,827 S * 11/1968 D'elia D7/596
D307,386 S * 4/1990 Nussbaumer D9/757
D322,914 S * 1/1992 Unger D7/505
D366,730 S * 1/1996 Chen D28/86
5,687,855 A * 11/1997 Heller A47K 1/09
211/65
D440,090 S * 4/2001 Lillelund A47K 1/09
D6/534
D448,978 S * 10/2001 Isbell D7/619.1
D497,288 S * 10/2004 McGuyer D7/590

FOREIGN PATENT DOCUMENTS

KR 300529622.0000 * 5/2009
KR 300534449.0000 * 7/2009

Primary Examiner — Marissa J Cash
Assistant Examiner — Altaira J Swangin

(57) **CLAIM**

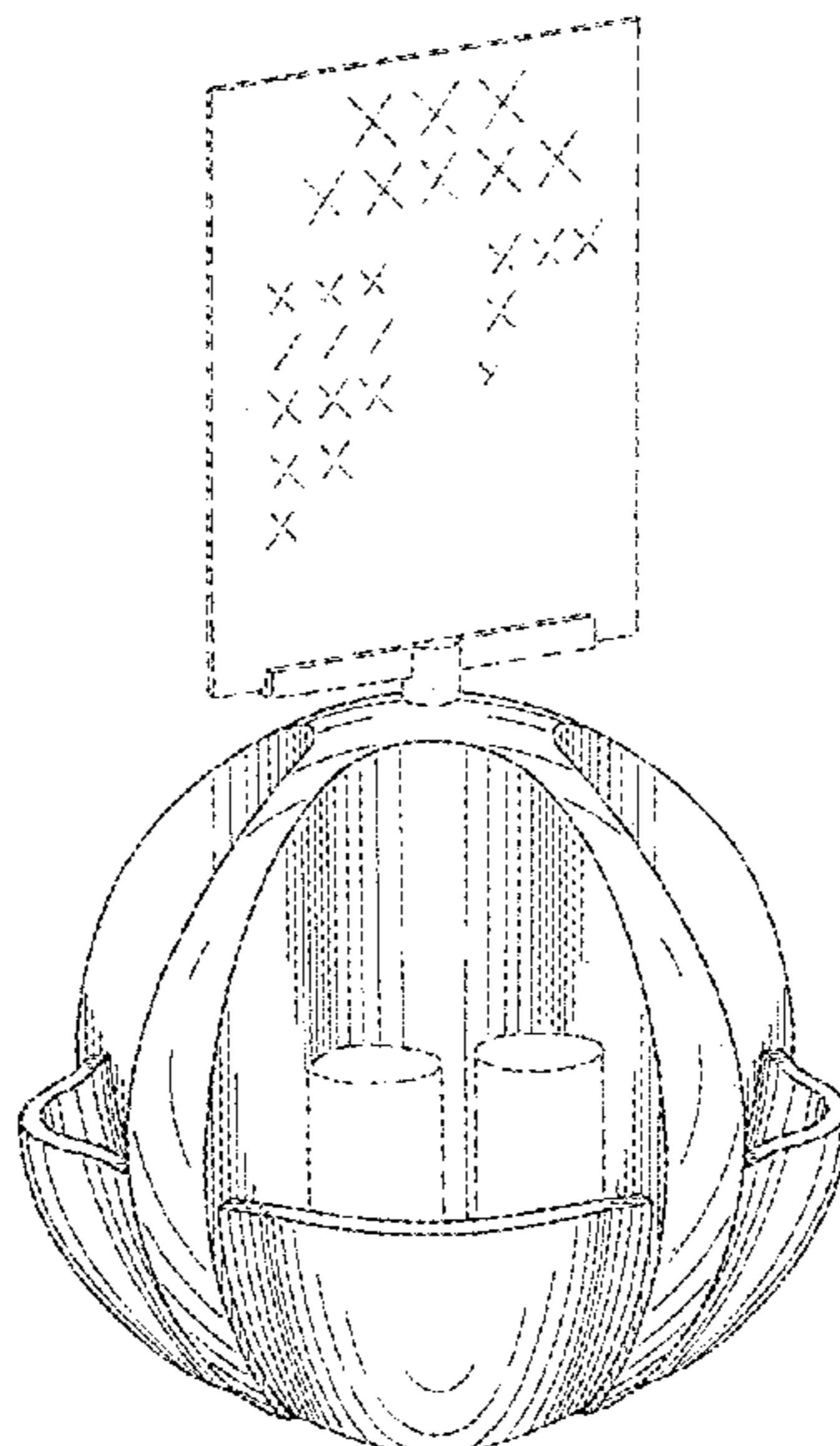
The ornamental design for a condiment holder, as shown and described.

DESCRIPTION

FIG. 1 is a front elevation view of a condiment holder;
FIG. 2 is a rear elevation view thereof;
FIG. 3 is a left side view thereof;
FIG. 4 is a right side view thereof;
FIG. 5 is a top plan view thereof;
FIG. 6 is a bottom plan view thereof;
FIG. 7 is a top, front perspective view thereof; and,
FIG. 8 is a top, front perspective view thereof showing a placard, placard holder and condiment containers in broken lines.

The broken lines in FIGS. 1-5 and 7 show portions of the condiment holder which form no part of the claimed design. The broken lines in FIG. 8 showing a placard, placard holder and condiment containers, depict environmental subject matter which forms no part of the claimed design.

1 Claim, 5 Drawing Sheets



(56)

References Cited

U.S. PATENT DOCUMENTS

D682,675 S *	5/2013	Rapparini	D9/429
D685,619 S *	7/2013	Sundaram	D6/534
D685,631 S *	7/2013	Rapparini	D9/429
D688,532 S *	8/2013	Ruzycky	D7/665
D696,555 S *	12/2013	Kolano	D7/590
D696,908 S *	1/2014	Hsu	D7/600.1
D729,577 S *	5/2015	Dirks	D7/507
D763,627 S *	8/2016	Thompson	D7/600.1
2003/0038097 A1 *	2/2003	Palder	A47F 5/02 211/49.1

* cited by examiner

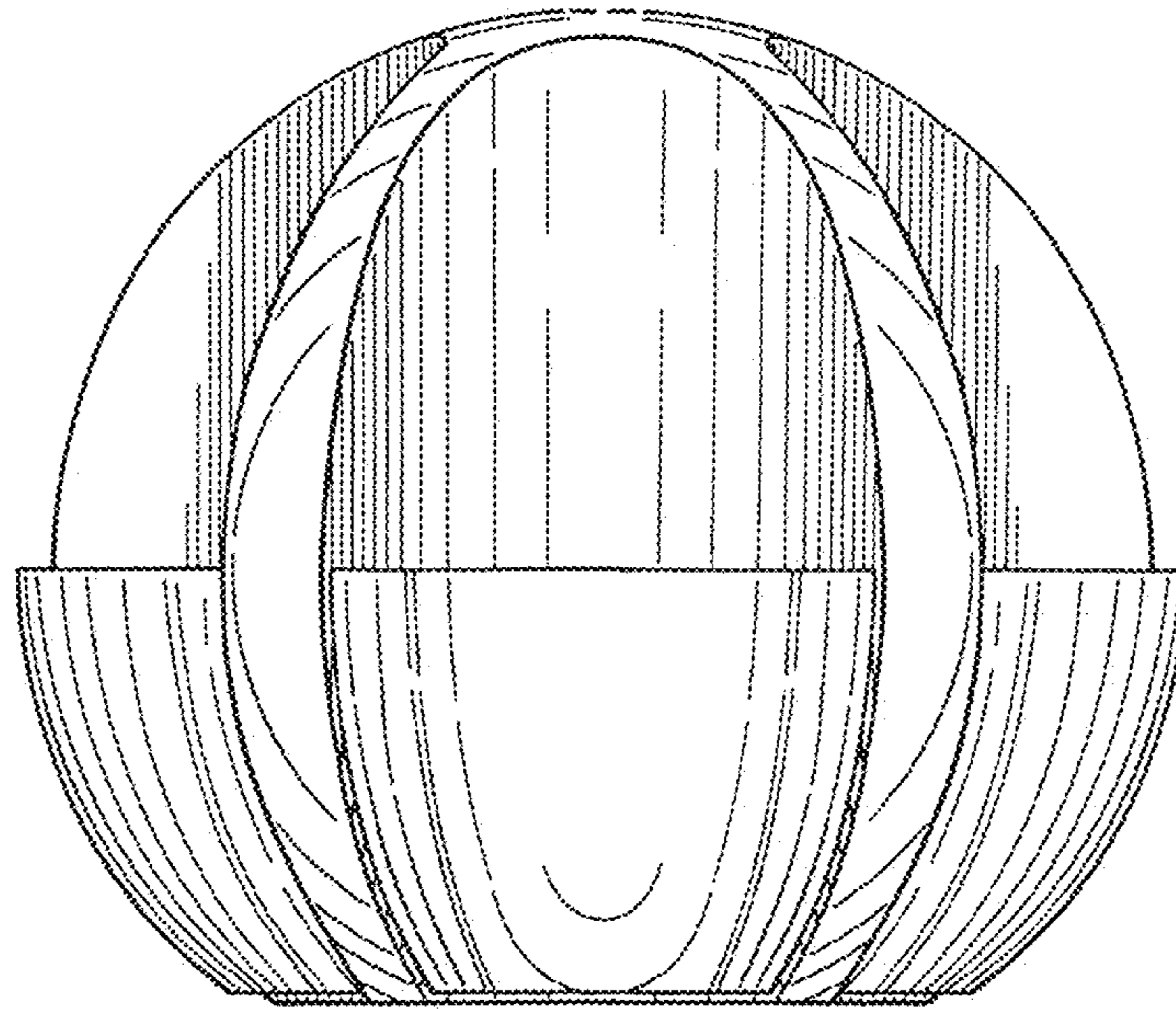


Fig. 1

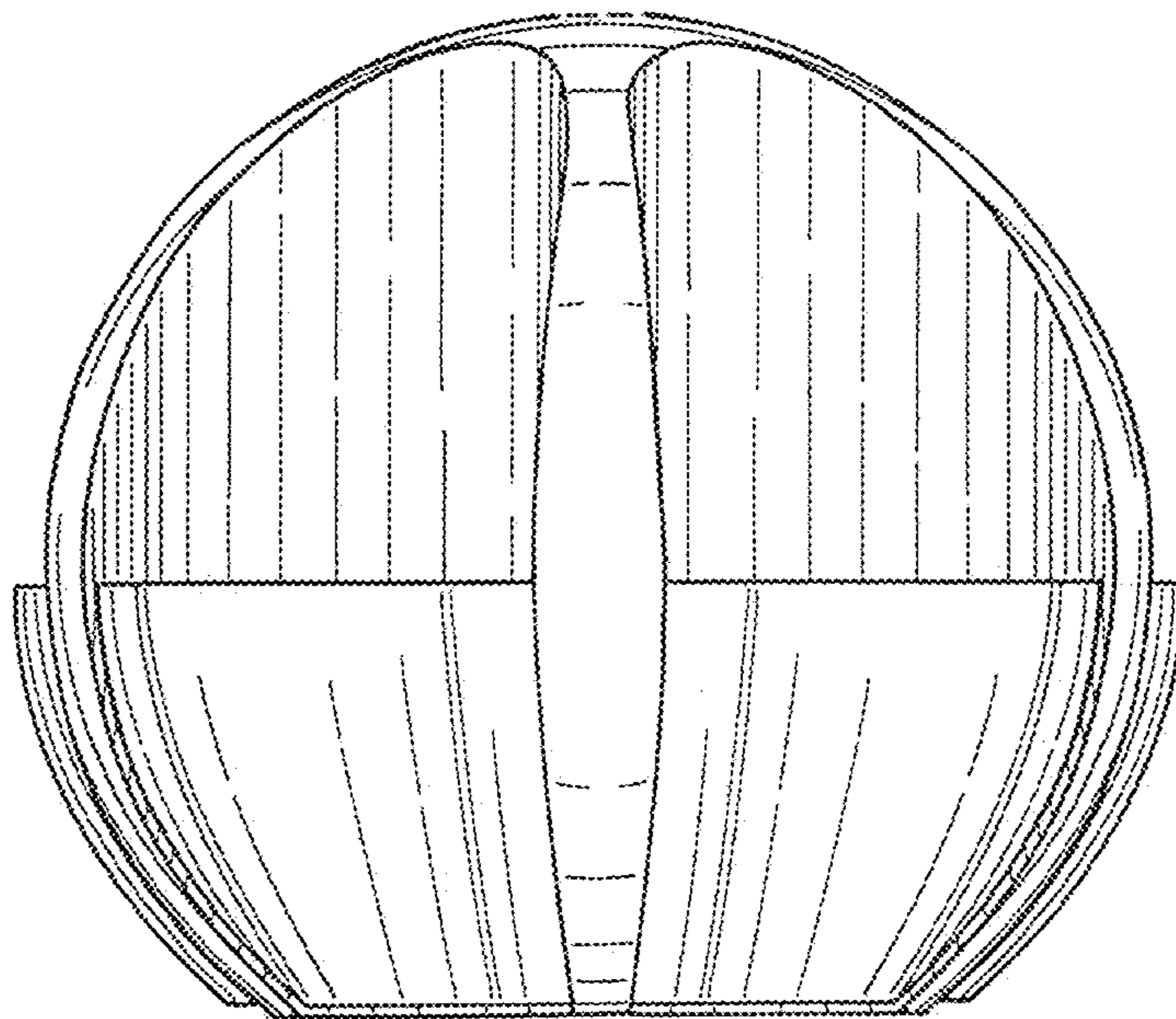


Fig. 2

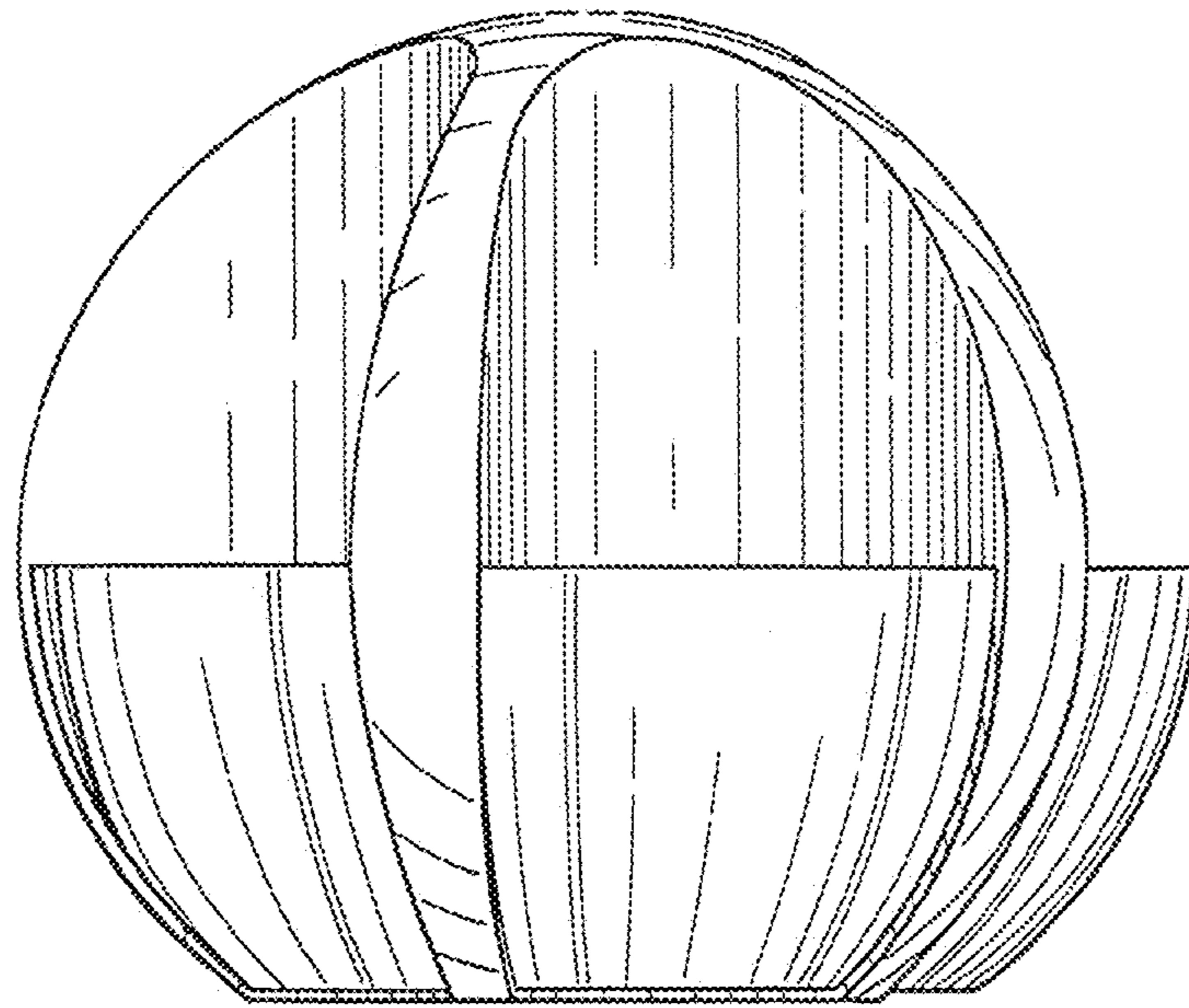


Fig. 3

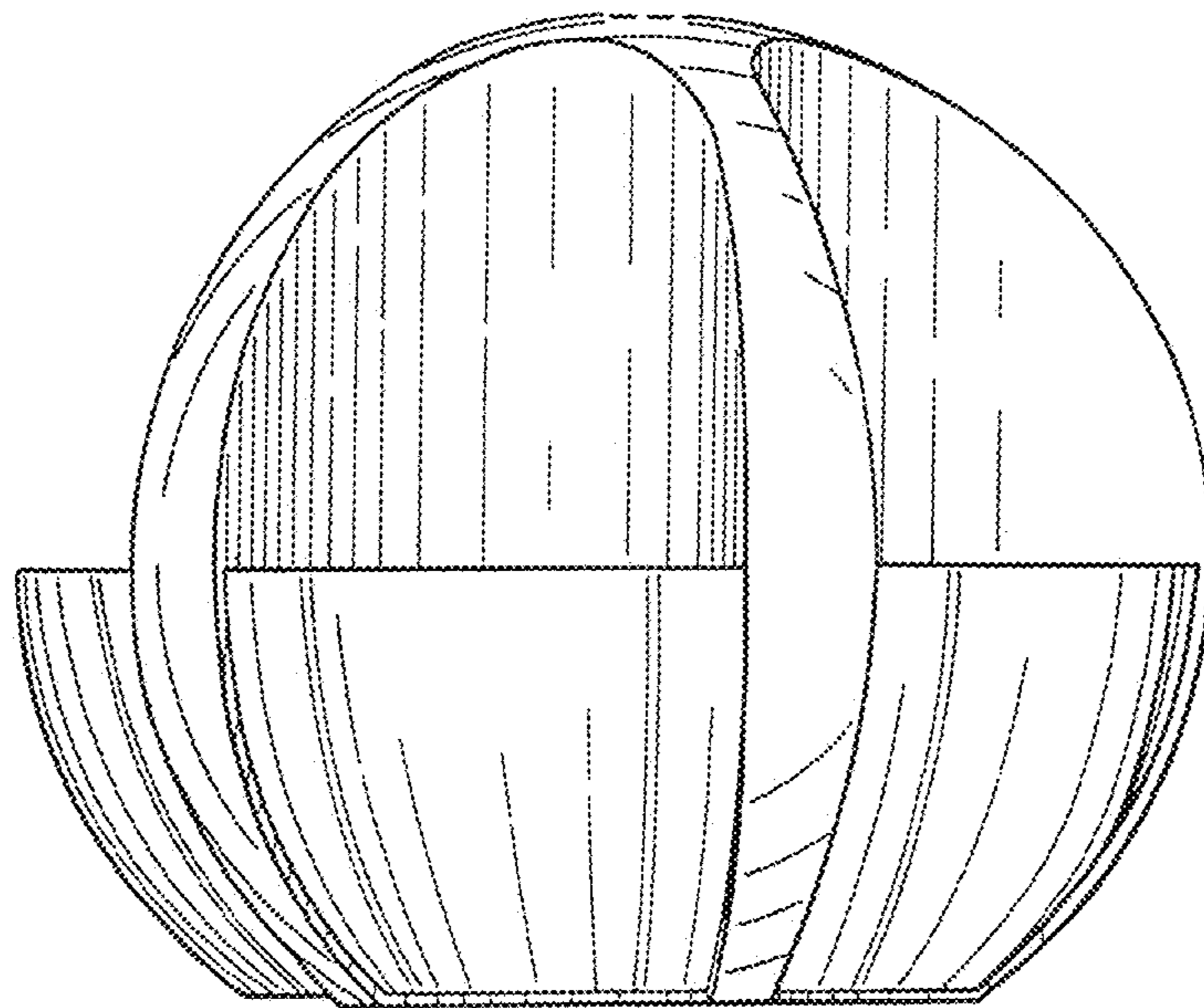


Fig. 4

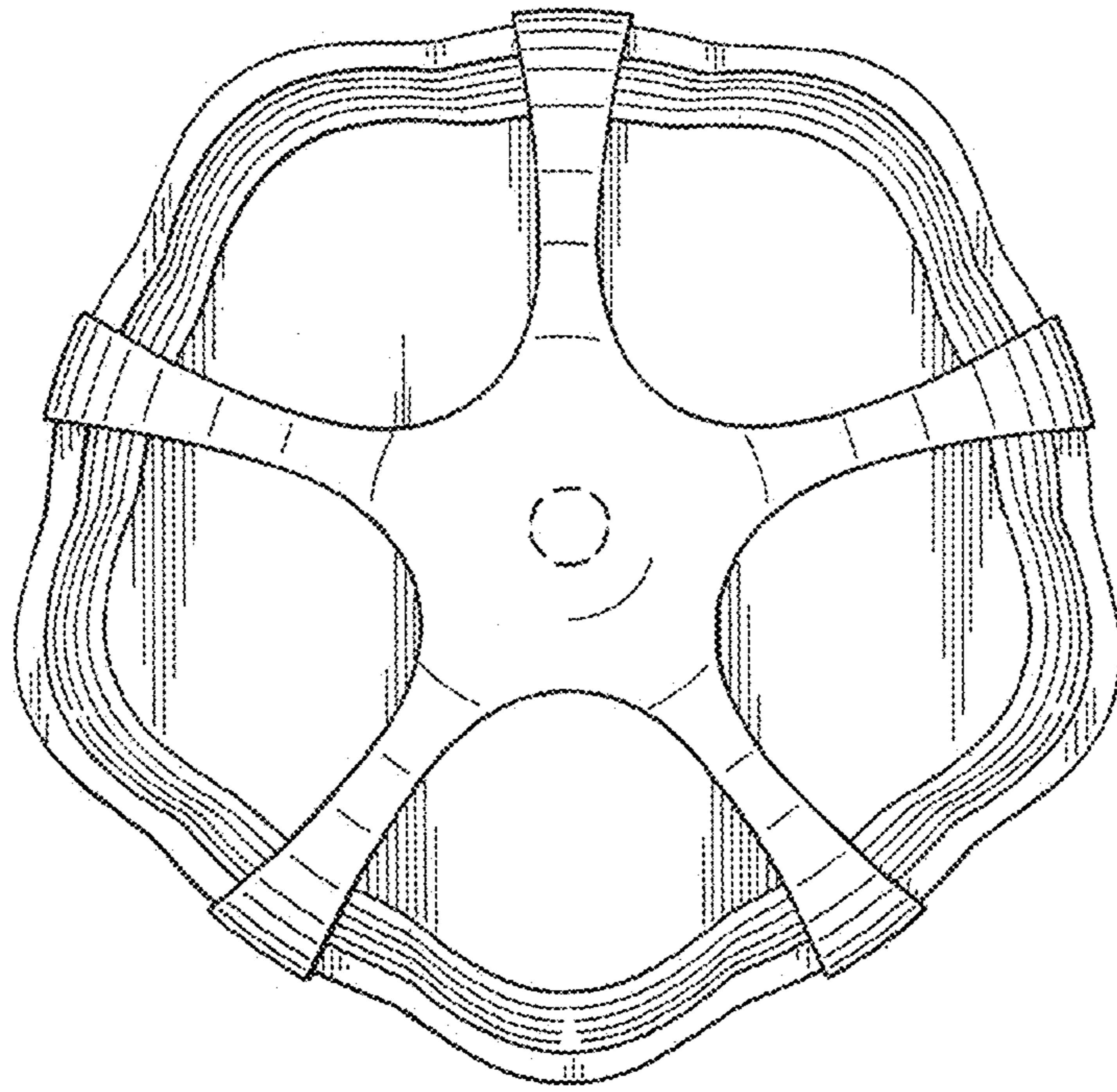


Fig. 5

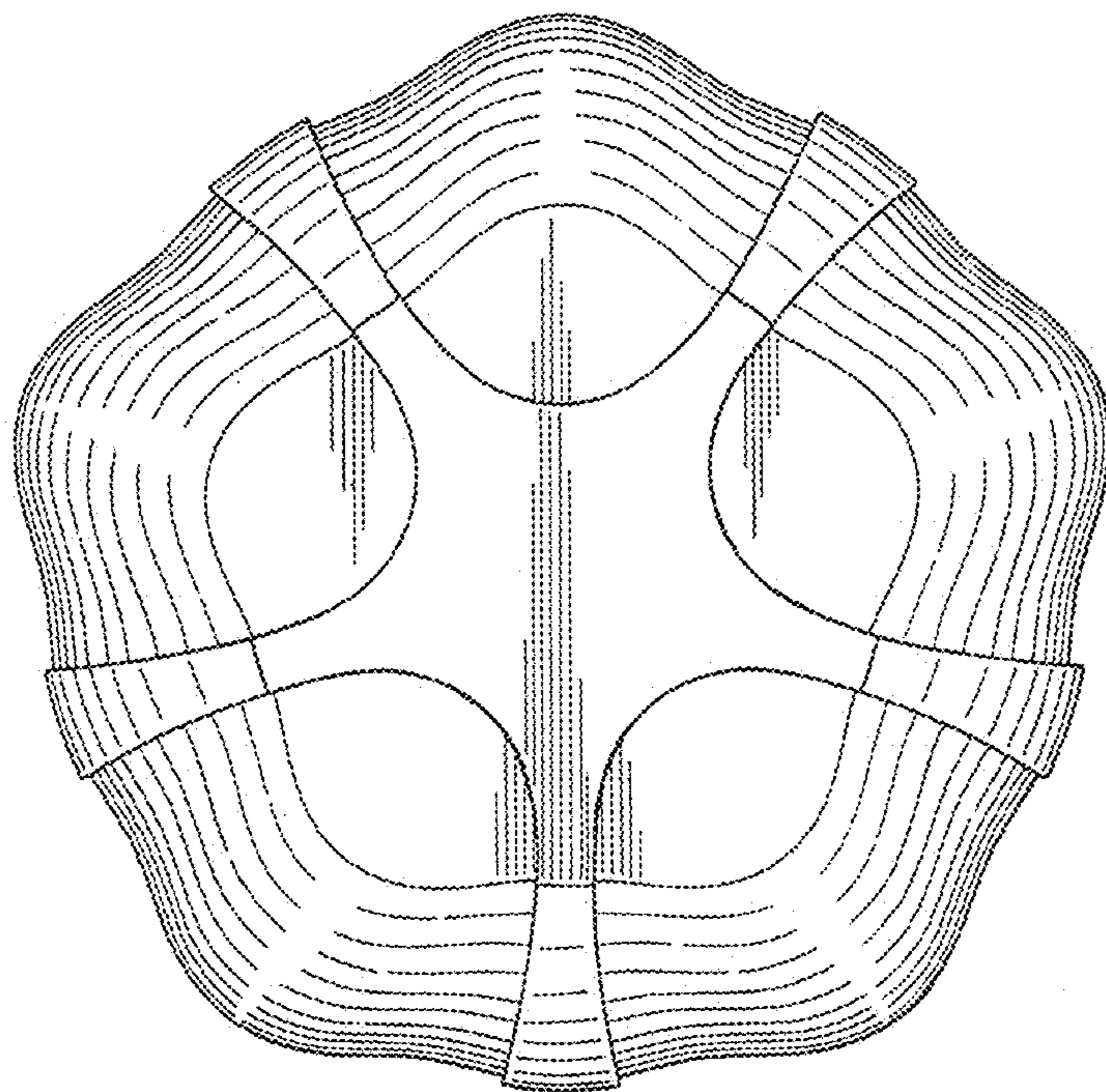


Fig. 6

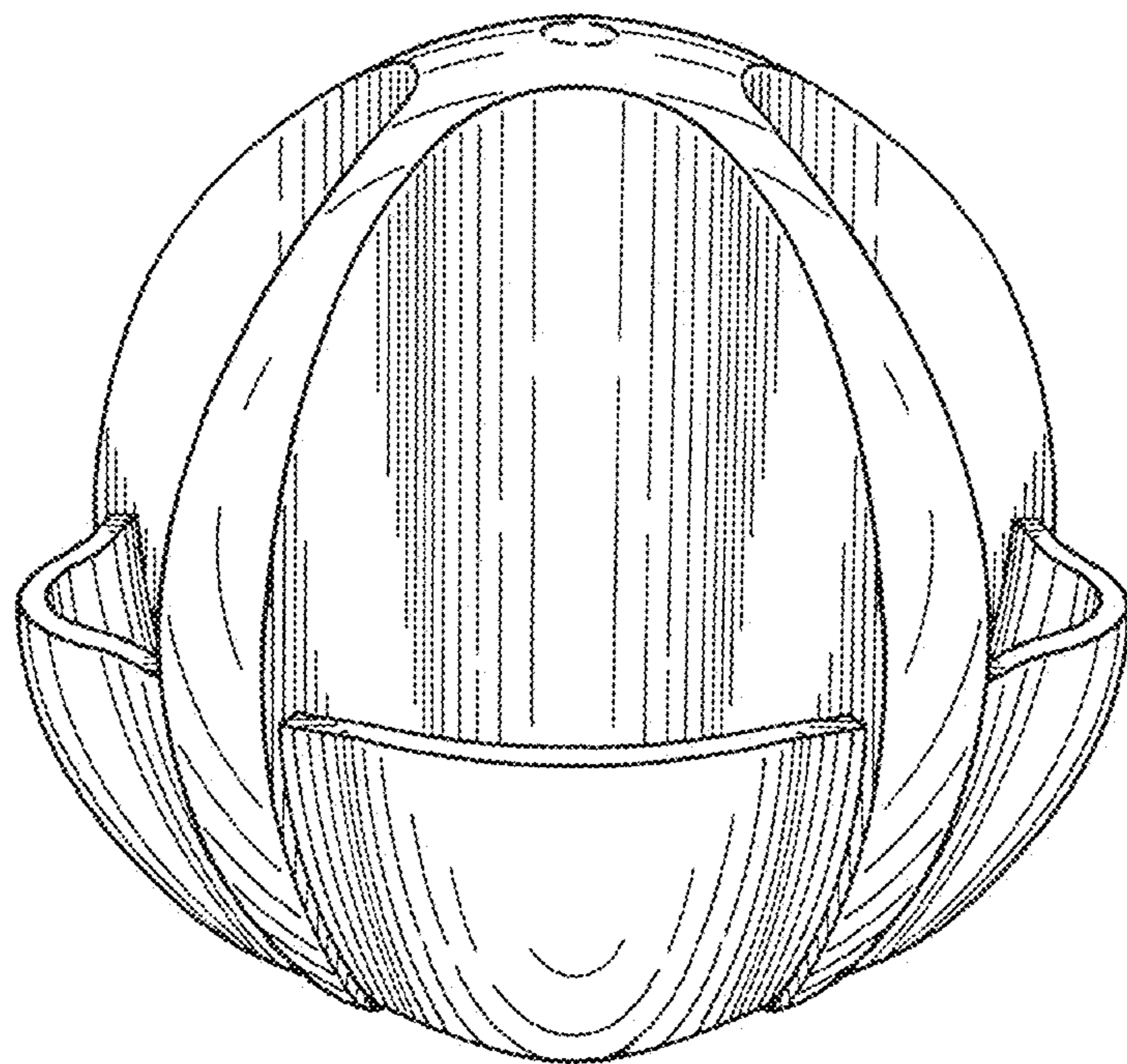


Fig. 7

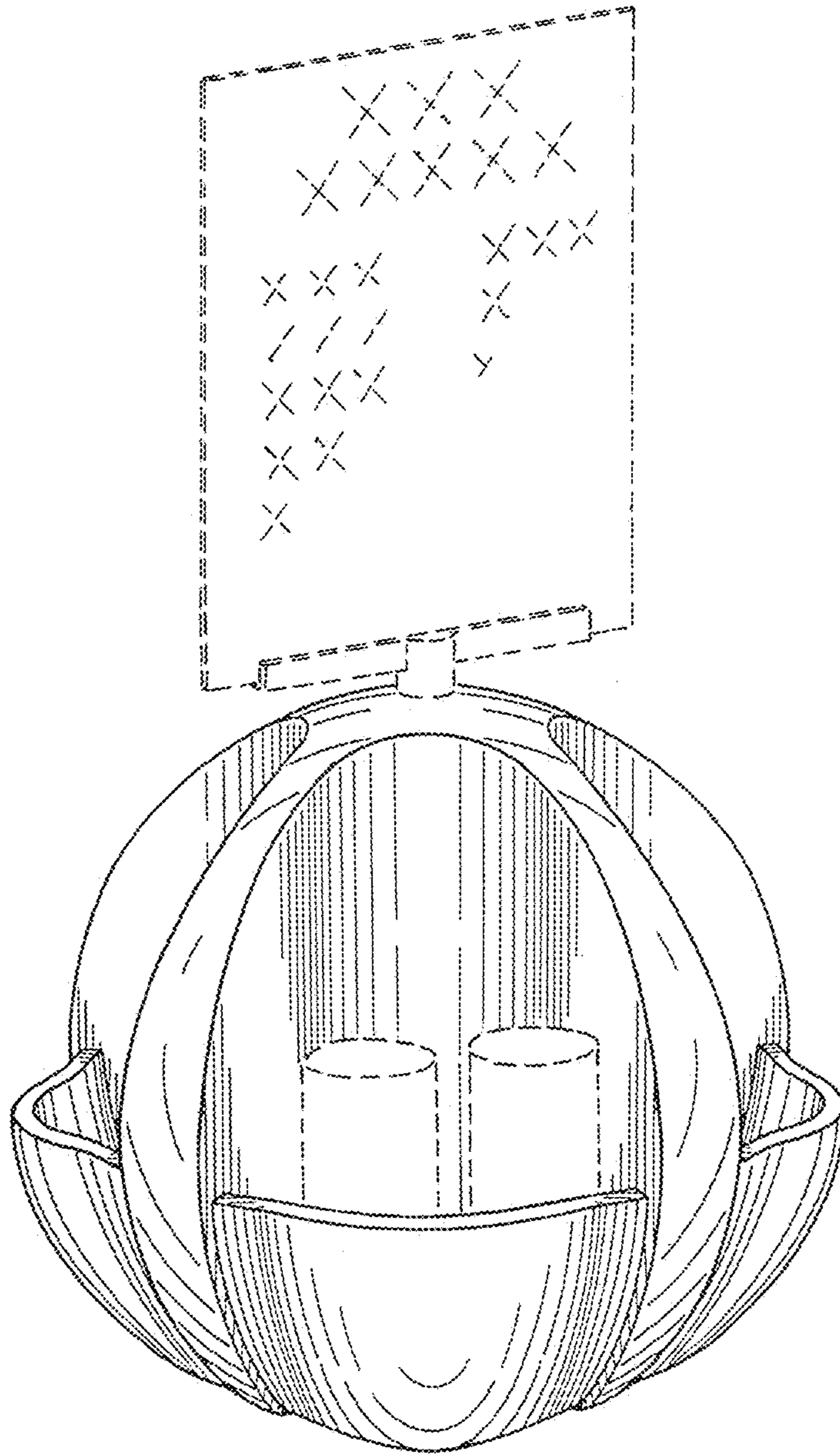


Fig. 8