

US00D869241S

(12) **United States Design Patent** (10) **Patent No.:** **US D869,241 S**
Ellison et al. (45) **Date of Patent:** **** Dec. 10, 2019**

(54) **BOWL**
(71) Applicant: **YETI Coolers, LLC**, Austin, TX (US)
(72) Inventors: **Kyle Ellison**, Austin, TX (US); **Dustin Bullock**, Austin, TX (US); **Colin Darling**, Austin, TX (US)
(73) Assignee: **YETI Coolers, LLC**, Austin, TX (US)
(**) Term: **15 Years**

D563,607 S 3/2008 Northrop
D564,710 S 3/2008 Modi et al.
D564,711 S 3/2008 Modi et al.
D565,253 S 3/2008 Modi et al.
D575,992 S * 9/2008 LeGreve D7/586
D598,238 S * 8/2009 Durdon D7/354
D601,309 S 9/2009 Babal
D607,329 S * 1/2010 Diss D7/587
D630,897 S * 1/2011 Jarvis D7/407
(Continued)

(21) Appl. No.: **29/658,677**
(22) Filed: **Aug. 1, 2018**
(51) **LOC (12) Cl.** **07-01**
(52) **U.S. Cl.**
USPC **D7/587**
(58) **Field of Classification Search**
USPC D7/500, 587, 565, 560, 543; D30/130
CPC A47G 19/025; A47G 19/02
See application file for complete search history.

FOREIGN PATENT DOCUMENTS

CN 301376984 11/2010
CN 301447169 1/2011
(Continued)

Primary Examiner — Cynthia R Underwood
(74) *Attorney, Agent, or Firm* — Banner & Witcoff, Ltd.

(57) **CLAIM**

The ornamental design for a bowl, as shown and described.

DESCRIPTION

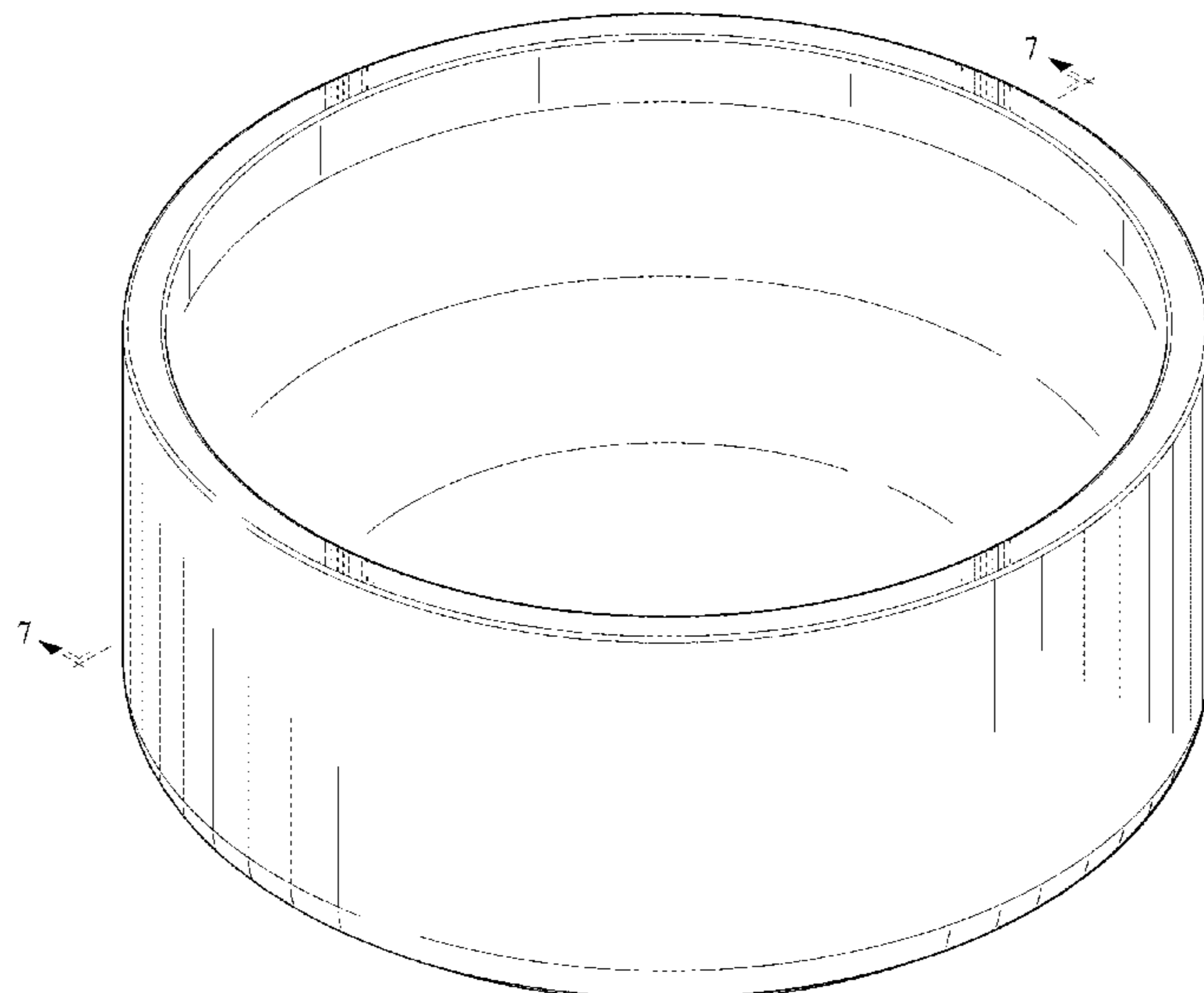
FIG. 1 is a top, front, right perspective view of a bowl showing our new design;
FIG. 2 is a front view thereof, wherein the rear view is a mirror image of FIG. 2;
FIG. 3 is a right side view thereof, wherein the left side view is a mirror image of FIG. 3;
FIG. 4 is a top view thereof;
FIG. 5 is a bottom view thereof;
FIG. 6 is a cross-sectional view at 6-6 in FIG. 4 thereof; and,
FIG. 7 is a cross-sectional view at 7-7 in FIG. 1 thereof.
The contrast in shading shown in FIGS. 5 and 6 represents a contrast in appearance only and does not represent any particular color, material, texture or finish.
The broken lines depicting the remainder of the bowl show features that form no part of the claimed design.

(56) **References Cited**

U.S. PATENT DOCUMENTS

1,567,234 A * 12/1925 Brucker A21B 3/13
249/136
D119,166 S * 2/1940 Guild D7/565
D175,753 S * 10/1955 Barnhart D7/540
D243,912 S * 4/1977 Daenen D7/584
D250,929 S * 1/1979 Gerstman D7/565
D286,726 S * 11/1986 Daenen D7/587
D304,275 S 10/1989 Kiefer
D376,960 S 12/1996 Ferris
D382,766 S * 8/1997 Hamada D7/354
D394,189 S * 5/1998 Reynaert D7/523
D412,226 S 7/1999 Bellehumeur
D426,427 S 6/2000 Rubbright et al.
D442,831 S * 5/2001 Jacobs D7/584
D483,229 S 12/2003 Maier-Aichen
D511,074 S * 11/2005 Claypool D7/602
D549,040 S * 8/2007 Henry D7/354

1 Claim, 7 Drawing Sheets



(56)

References Cited

U.S. PATENT DOCUMENTS

D636,946 S 4/2011 Able
 D690,166 S * 9/2013 Montgomery D7/586
 D693,182 S 11/2013 Katterheinrich et al.
 D701,088 S * 3/2014 Hone D7/505
 D709,317 S * 7/2014 Cheng D7/354
 D738,159 S * 9/2015 Cheng D7/354
 D760,951 S * 7/2016 Bennett D27/136
 D761,061 S 7/2016 McConnell et al.
 D787,274 S * 5/2017 Gagnon D7/586
 D792,166 S * 7/2017 Kirsh D7/601
 D807,121 S * 1/2018 Mittal D7/587
 D823,643 S * 7/2018 Paul D7/584
 D828,726 S * 9/2018 Epley D7/602
 D845,715 S * 4/2019 Brownell D7/545
 2002/0112614 A1 * 8/2002 Zoss A21B 3/131
 2011/0162583 A1 7/2011 Rostamo et al.
 2014/0326189 A1 11/2014 Jain

FOREIGN PATENT DOCUMENTS

CN 302323891 2/2013

CN 302859335 6/2014
 CN 303304588 7/2015
 CN 303488464 12/2015
 CN 303694772 6/2016
 CN 303953741 11/2016
 CN 303990818 12/2016
 CN 304164337 6/2017
 CN 304238791 8/2017
 CN 304255933 8/2017
 CN 304373499 11/2017
 CN 304448019 1/2018
 CN 304480651 1/2018
 CN 304490101 2/2018
 EM 002547281-0001 10/2014
 EP 001606385-0030 11/1919
 EP 000146816-0002 6/2004
 EP 000236880-0001 12/2004
 EP 000467519-0002 2/2006
 EP 000555289-0001 8/2006
 EP 001606385-0031 11/2009
 EP 003860097-0001 5/2017
 KR 300826611.0000 11/2015

* cited by examiner

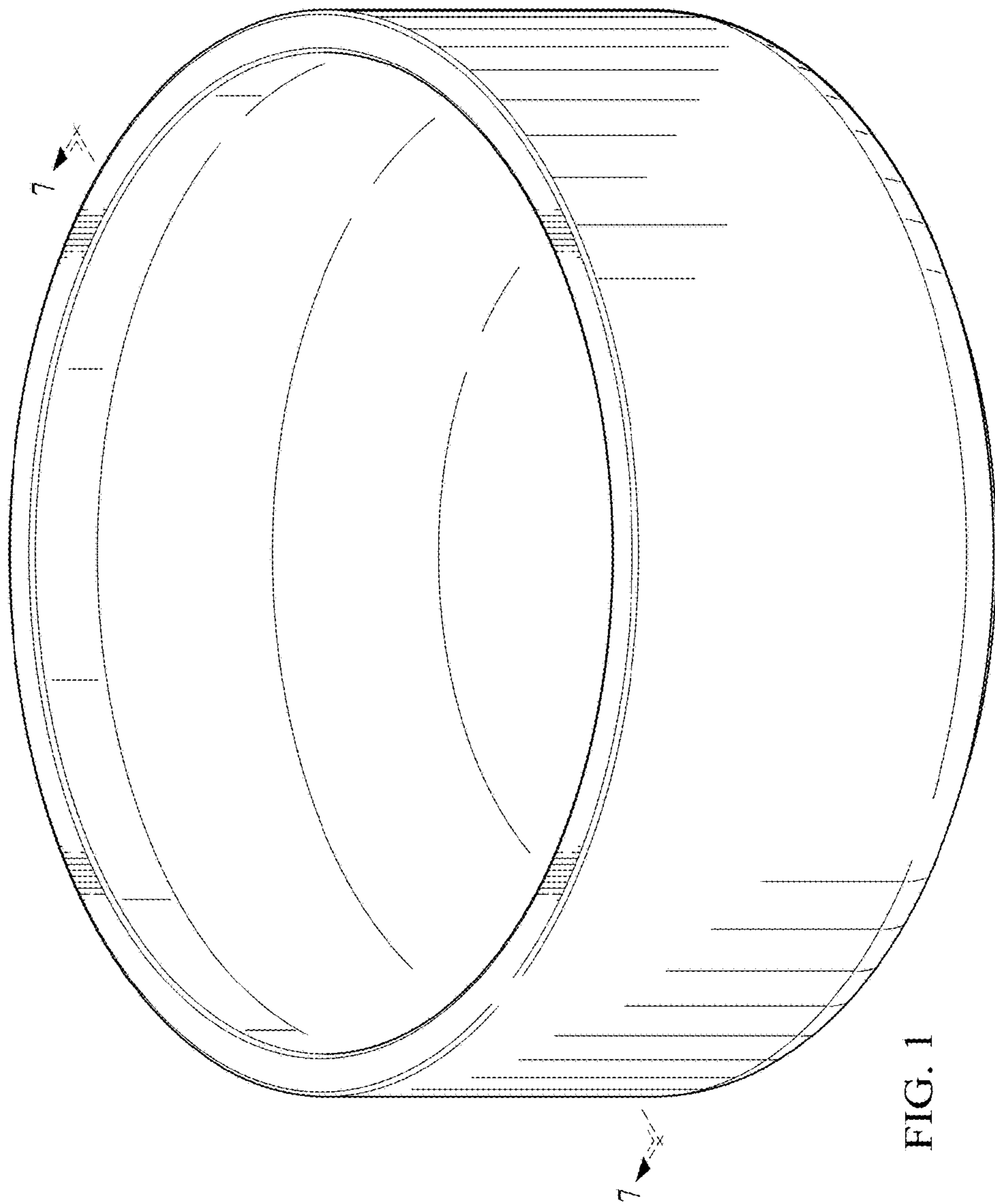


FIG. 1

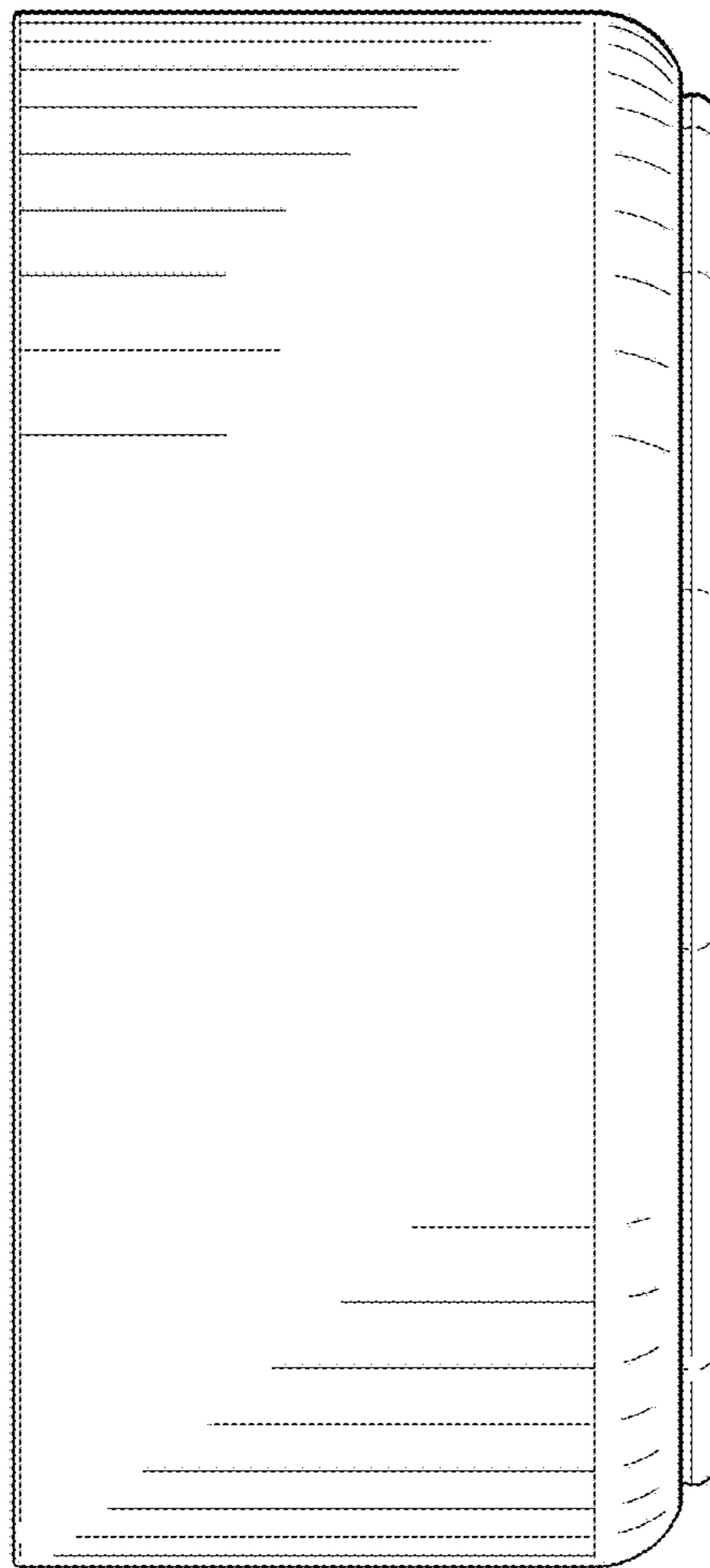


FIG. 2

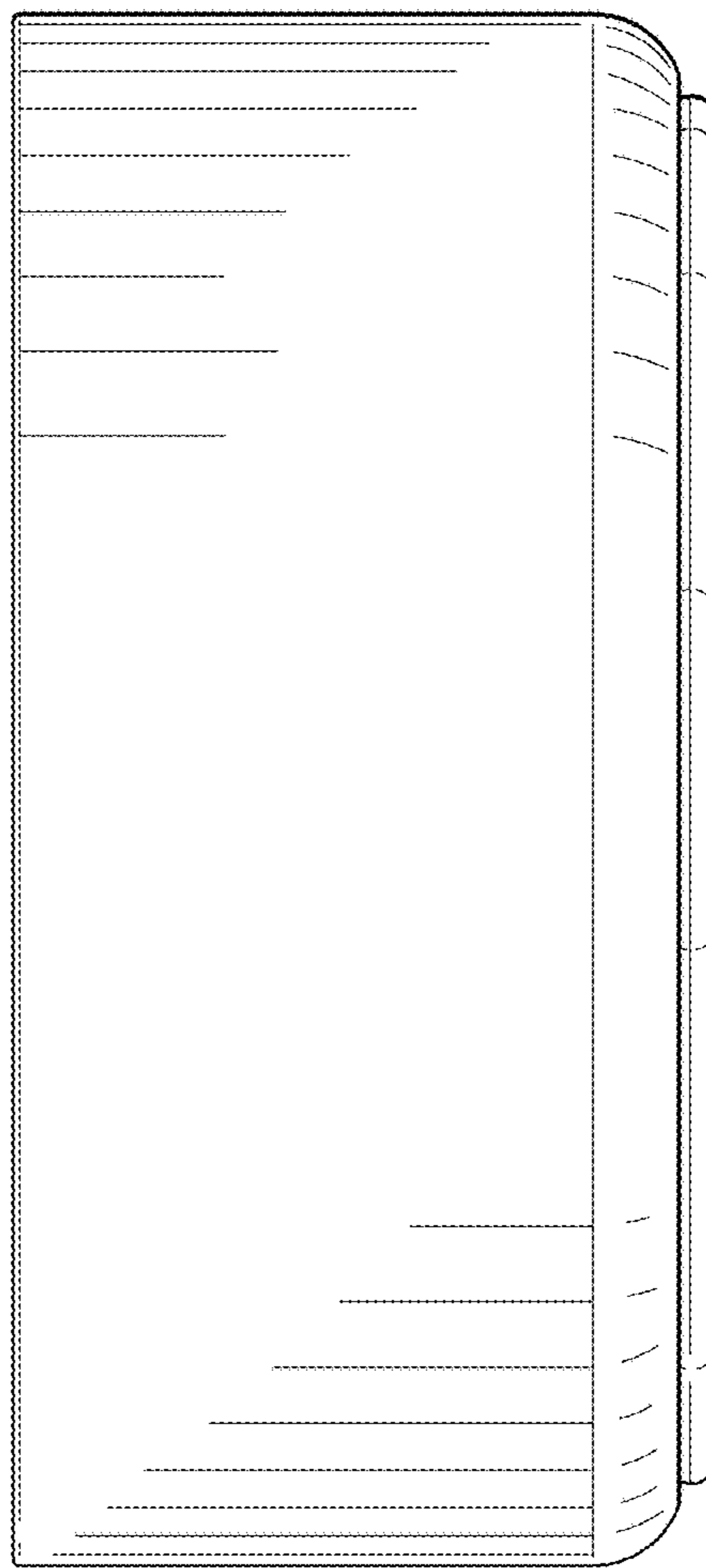


FIG. 3

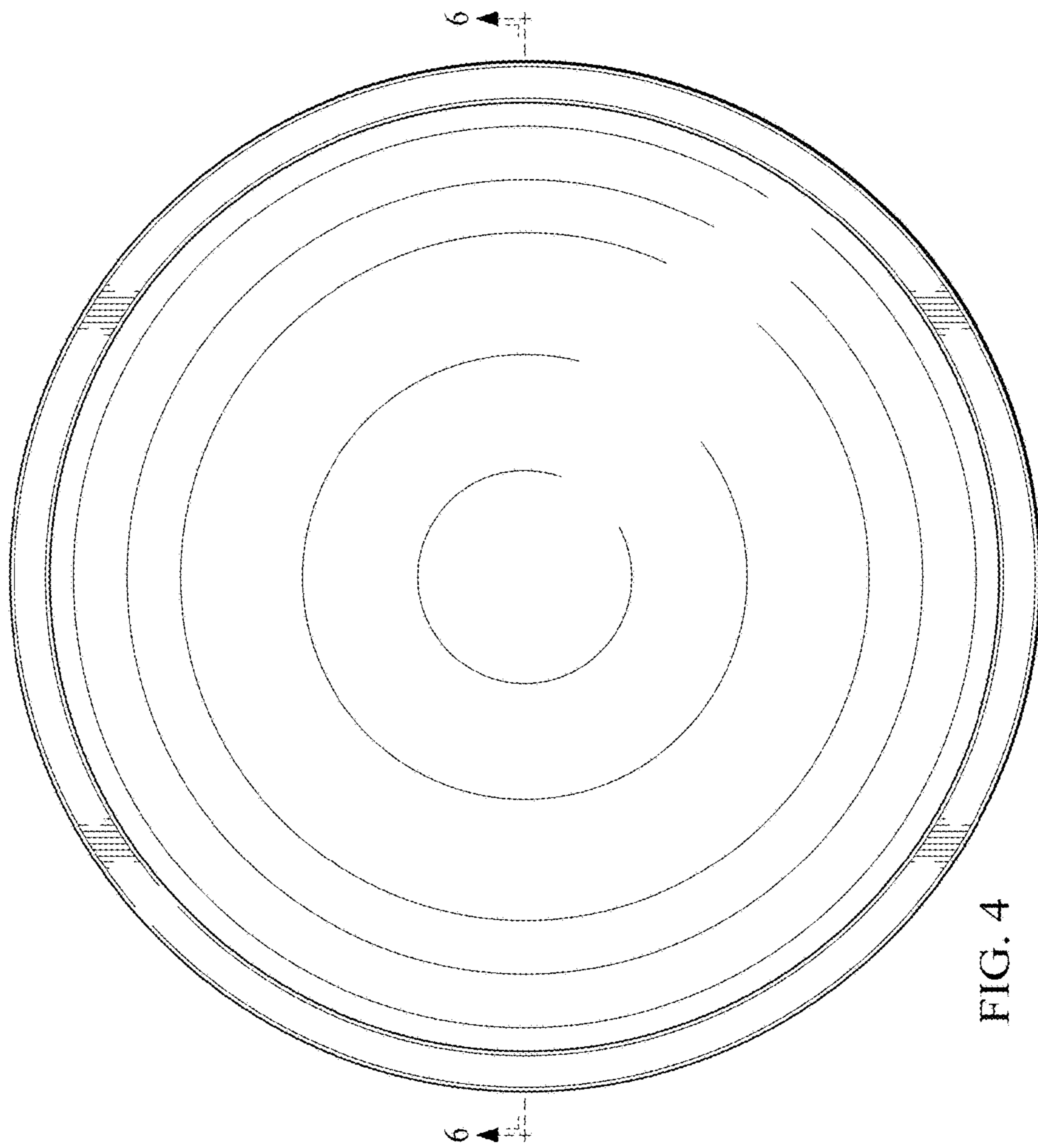


FIG. 4

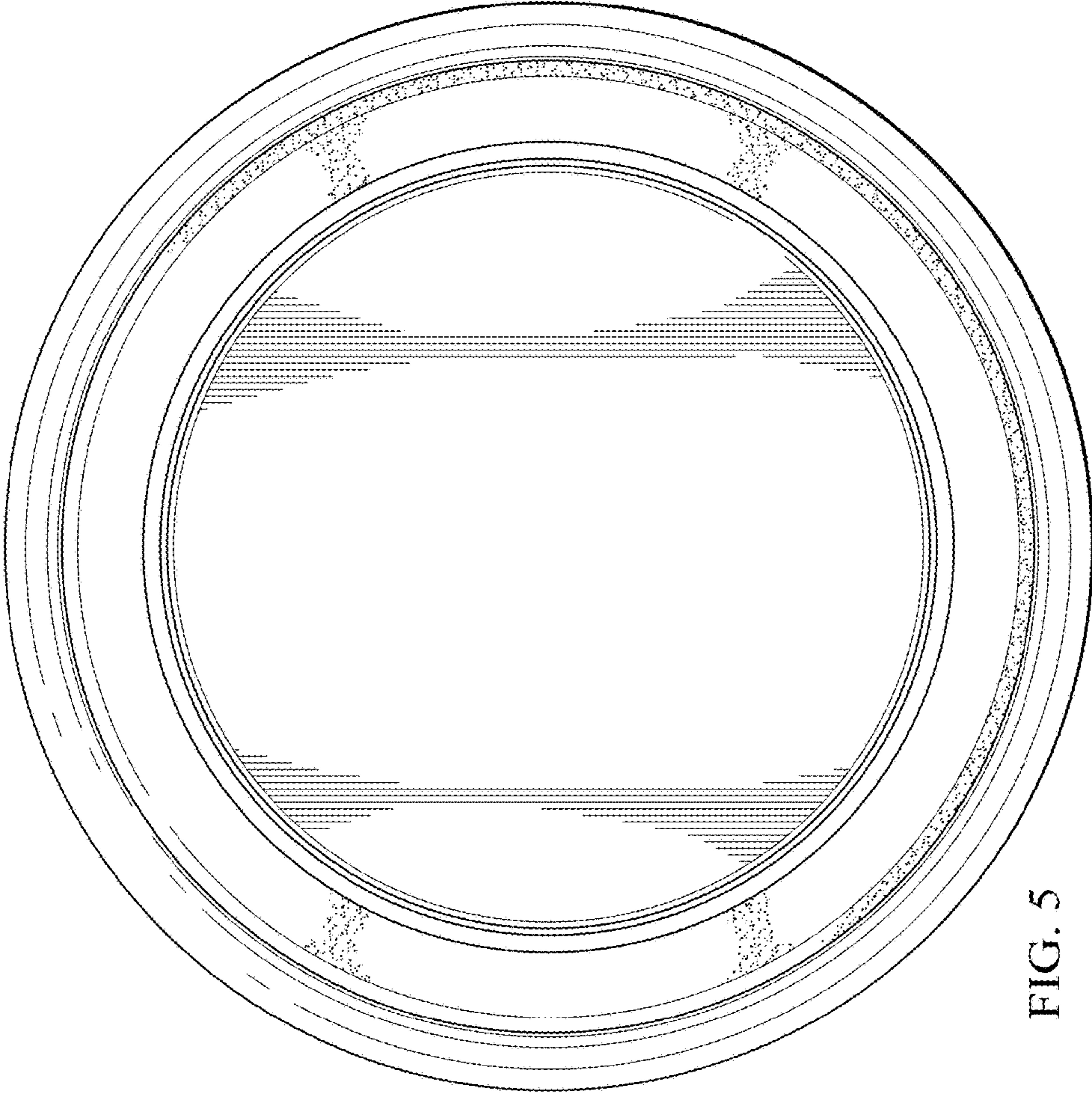


FIG. 5

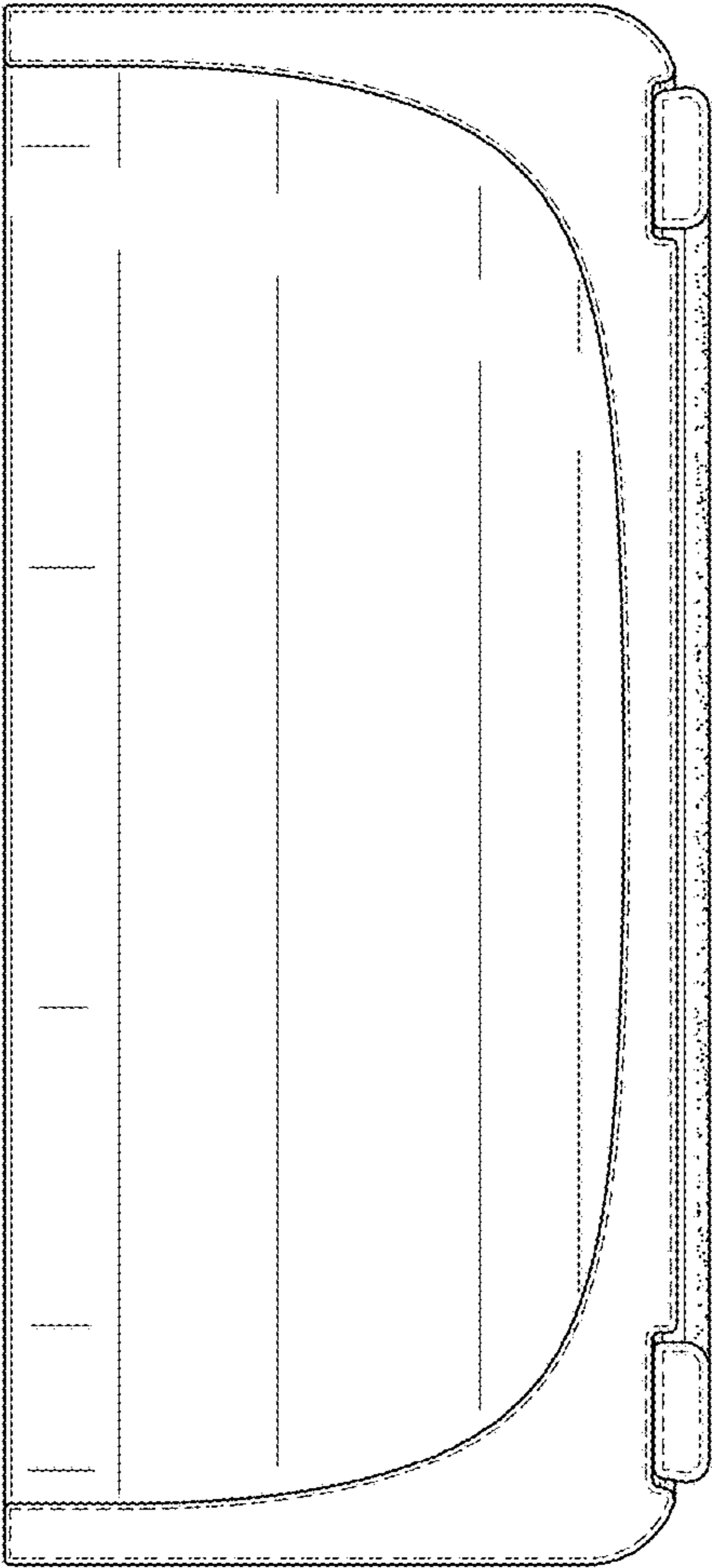


FIG. 6

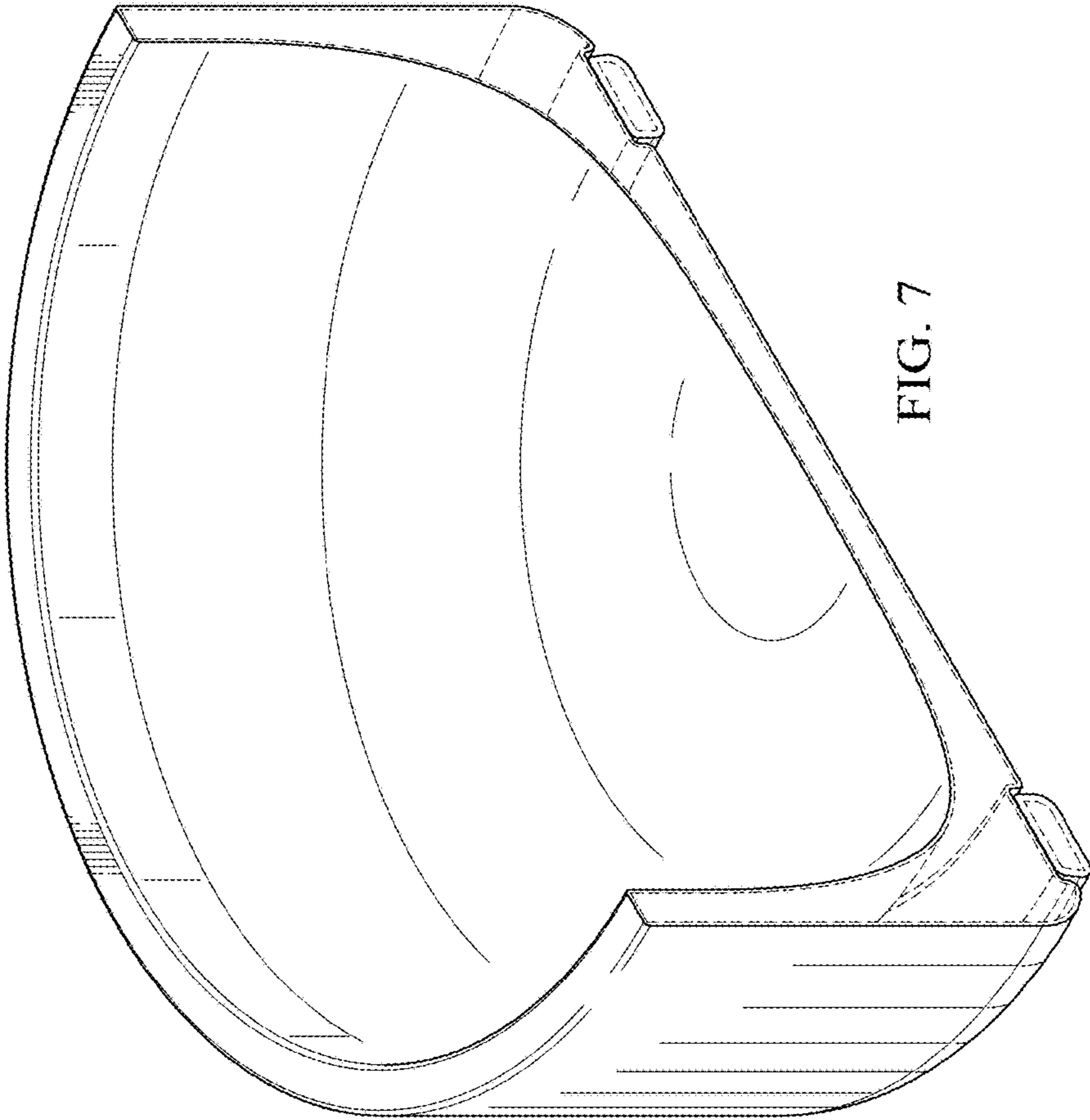


FIG. 7