



US00D869240S

(12) **United States Design Patent**  
**Modi**

(10) **Patent No.:** **US D869,240 S**

(45) **Date of Patent:** **\*\* Dec. 10, 2019**

(54) **BOWL**

(71) Applicant: **Avanti Overseas Pvt Ltd.**, New Delhi (IN)

(72) Inventor: **Raghav Modi**, New Delhi (IN)

(73) Assignee: **AVANTI OVERSEAS PVT LTD**, New Delhi (IN)

(\*\*) Term: **15 Years**

(21) Appl. No.: **29/671,736**

(22) Filed: **Nov. 29, 2018**

(51) **LOC (12) Cl.** ..... **07-01**

(52) **U.S. Cl.**  
USPC ..... **D7/584**; D7/587

(58) **Field of Classification Search**  
USPC ..... D7/586, 584, 500, 543, 587, 505;  
220/574; D30/129  
See application file for complete search history.

(56) **References Cited**

U.S. PATENT DOCUMENTS

D428,771 S *	8/2000	Novi	.....	D7/523
6,431,389 B1 *	8/2002	Jerstroem	.....	A47J 36/02 220/574
D485,126 S *	1/2004	Watson	.....	D7/584
D549,040 S *	8/2007	Henry	.....	D7/354
D565,356 S *	4/2008	Mellen	.....	D7/376
D598,238 S *	8/2009	Durdon	.....	D7/354

D607,329 S *	1/2010	Diss	.....	D7/587
D728,865 S *	5/2015	Tsengas	.....	D30/129
D745,228 S *	12/2015	Scaba	.....	D30/129
D761,061 S *	7/2016	McConnell	.....	D7/587
9,474,397 B2 *	10/2016	Minnette	.....	A47G 19/02
D770,233 S *	11/2016	Raphael	.....	D7/584
D787,274 S *	5/2017	Gagnon	.....	D7/586
2002/0112614 A1 *	8/2002	Zoss	.....	A21B 3/131 99/426
2012/0017837 A1 *	1/2012	Crawford	.....	A01K 5/01 119/61.1
2013/0104505 A1 *	5/2013	Minnette	.....	B65B 7/2878 53/471
2014/0326735 A1 *	11/2014	Minnette	.....	A47G 19/02 220/574

\* cited by examiner

*Primary Examiner* — Cynthia R Underwood  
(74) *Attorney, Agent, or Firm* — Reed Smith LLP;  
Matthew P. Frederick; Ryan P. Cox

(57) **CLAIM**

The ornamental design for a bowl, as shown and described.

**DESCRIPTION**

FIG. 1 is a top perspective view of a bowl in accordance with my new design;

FIG. 2 is a bottom perspective view thereof;

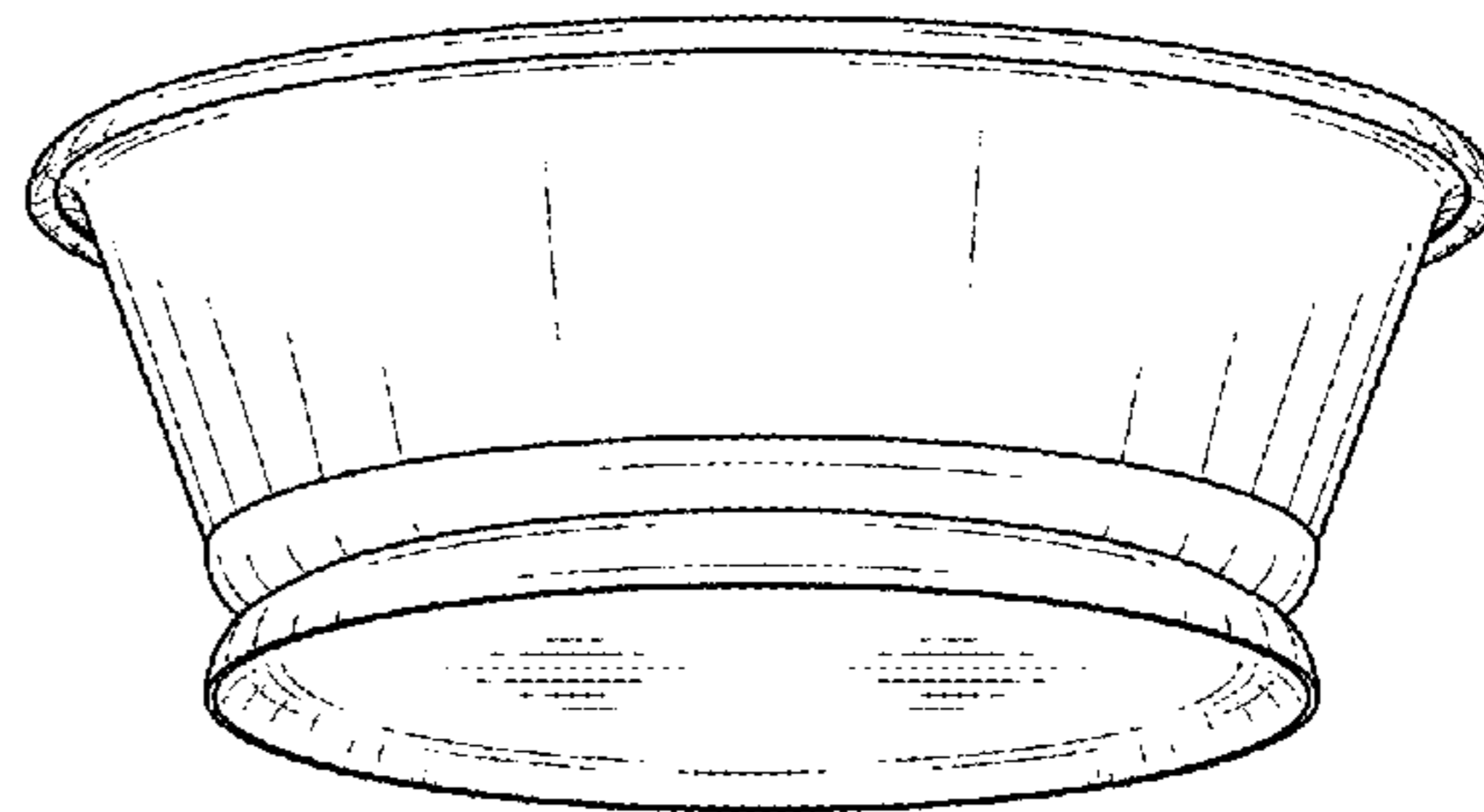
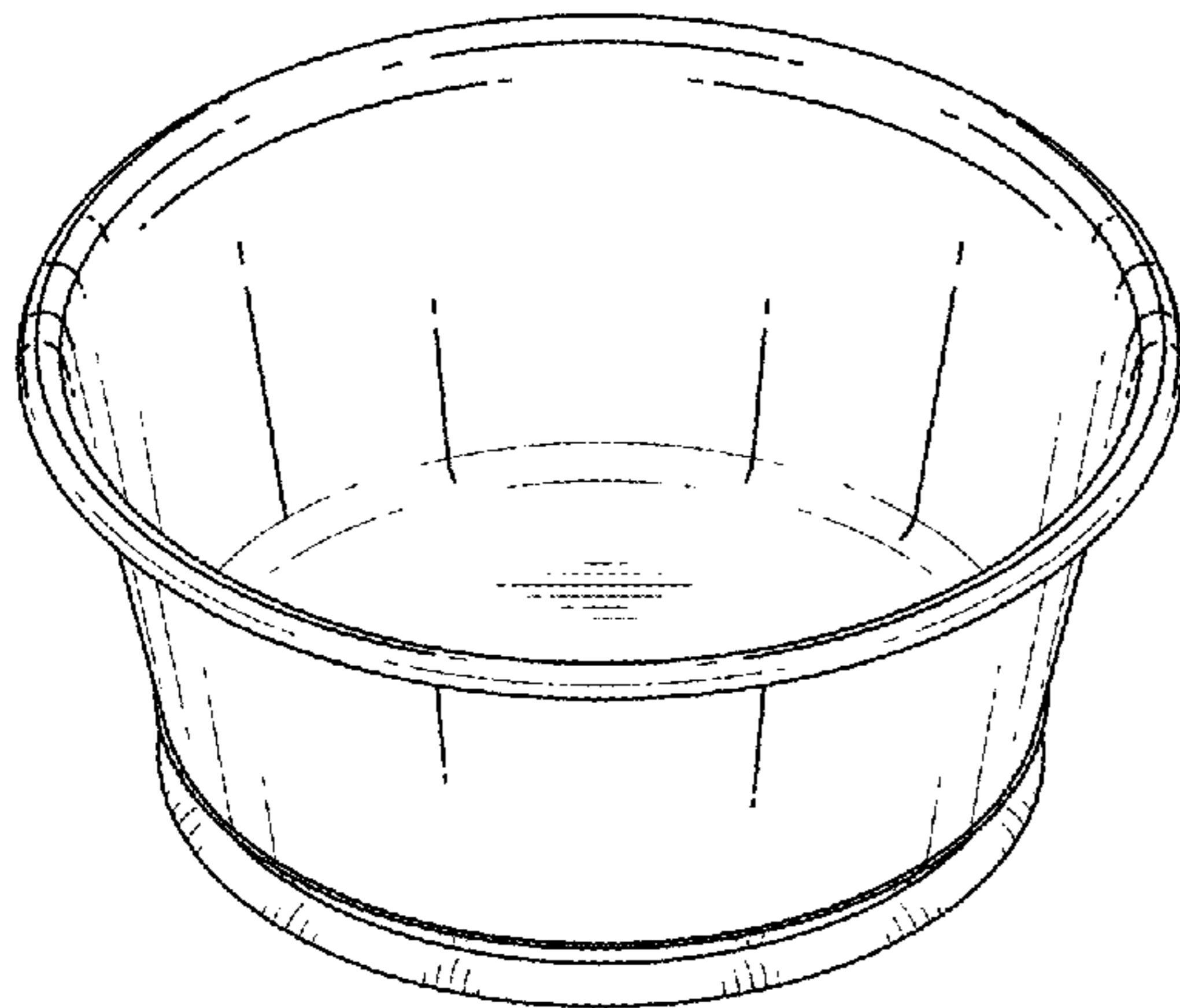
FIG. 3 is a top plan view thereof;

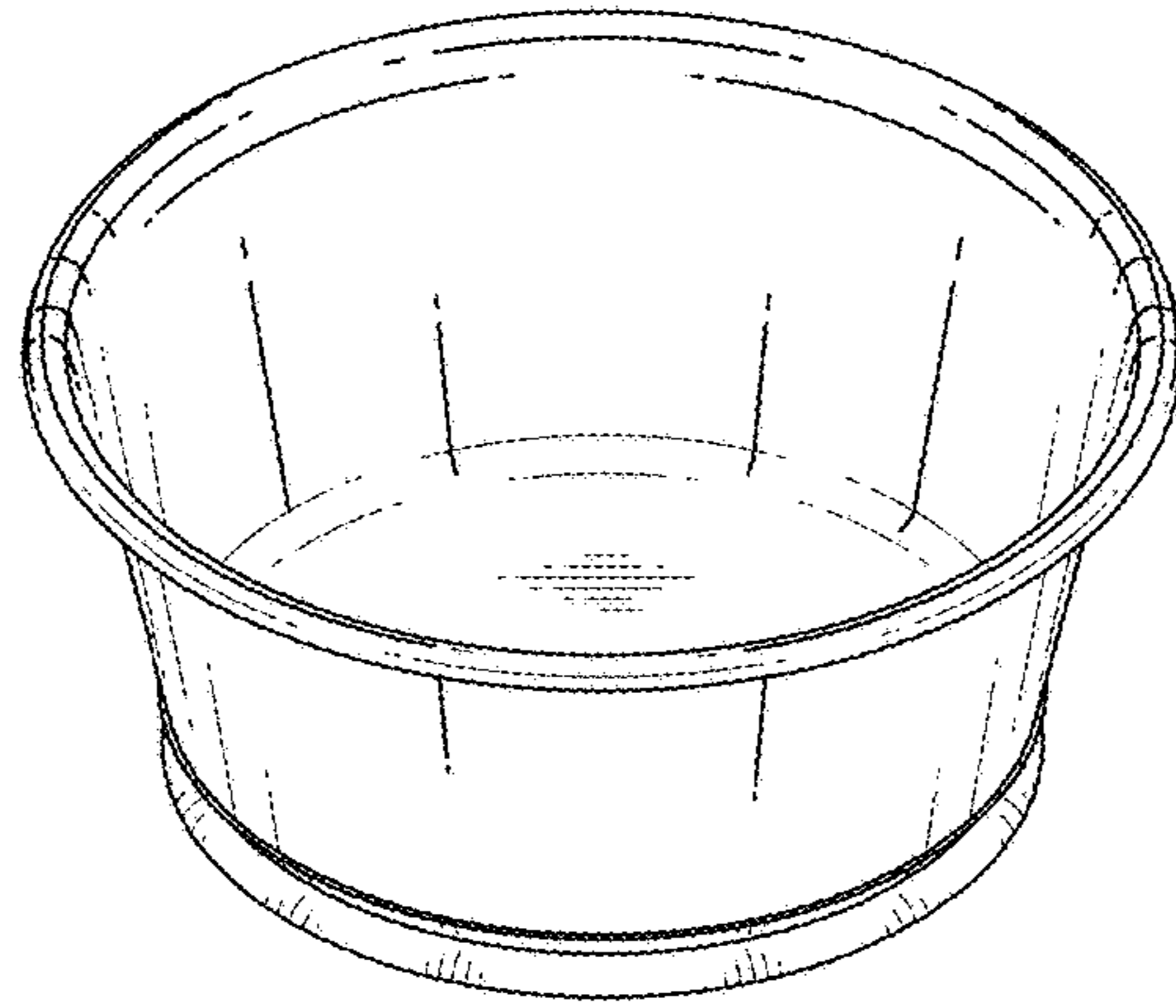
FIG. 4 is a side view thereof; and,

FIG. 5 is a bottom plan view thereof.

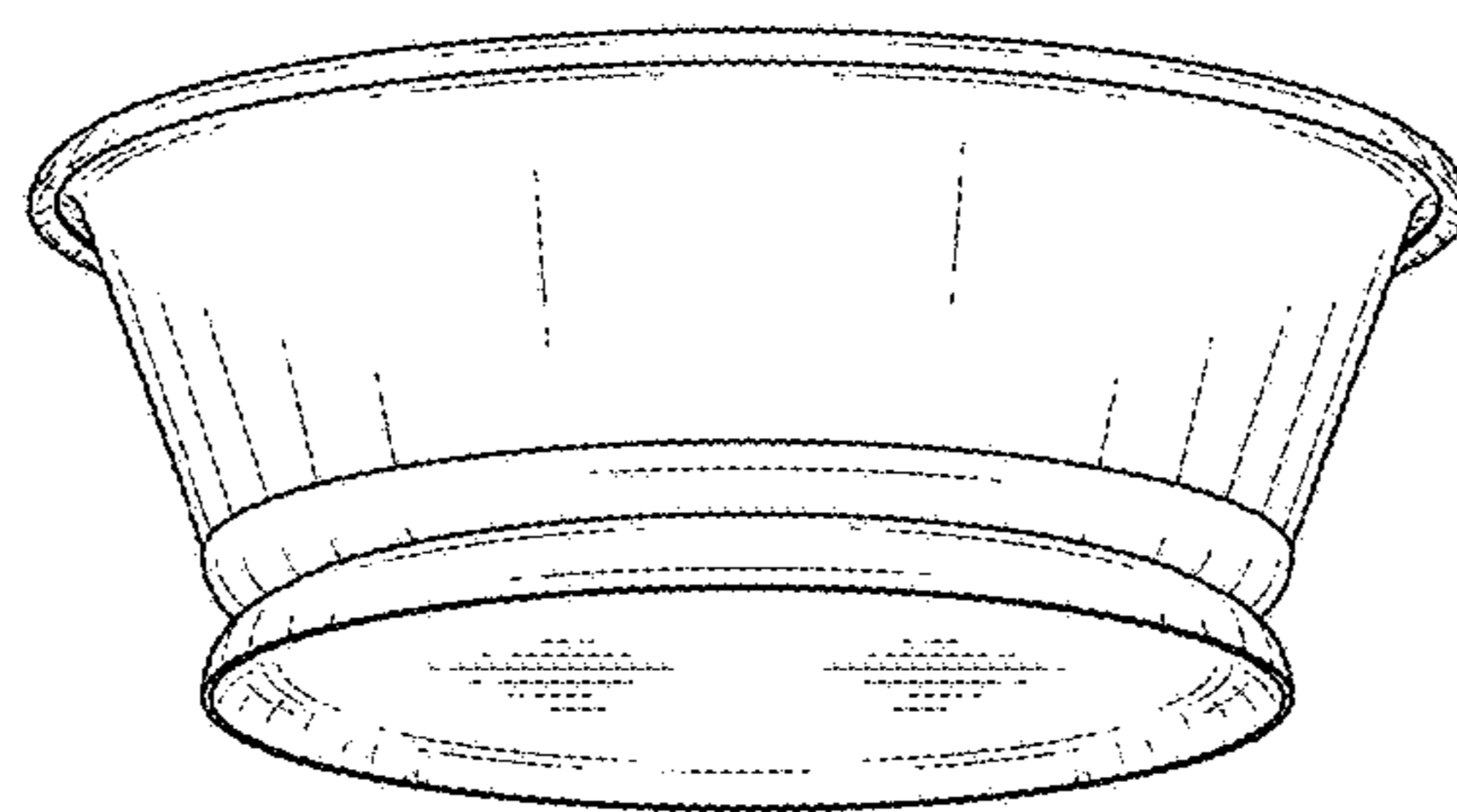
The side view is mirrored from any side.

**1 Claim, 3 Drawing Sheets**

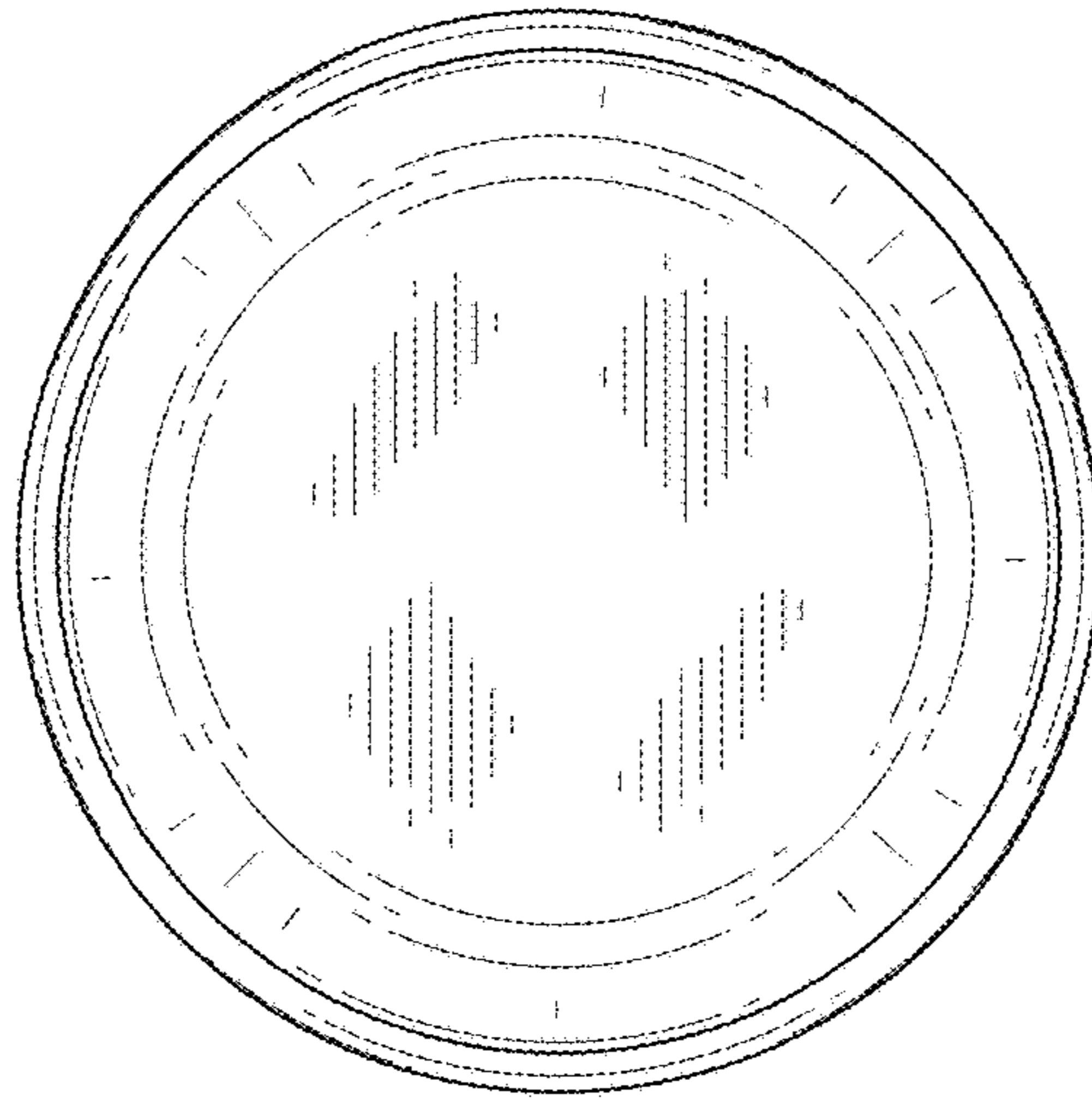




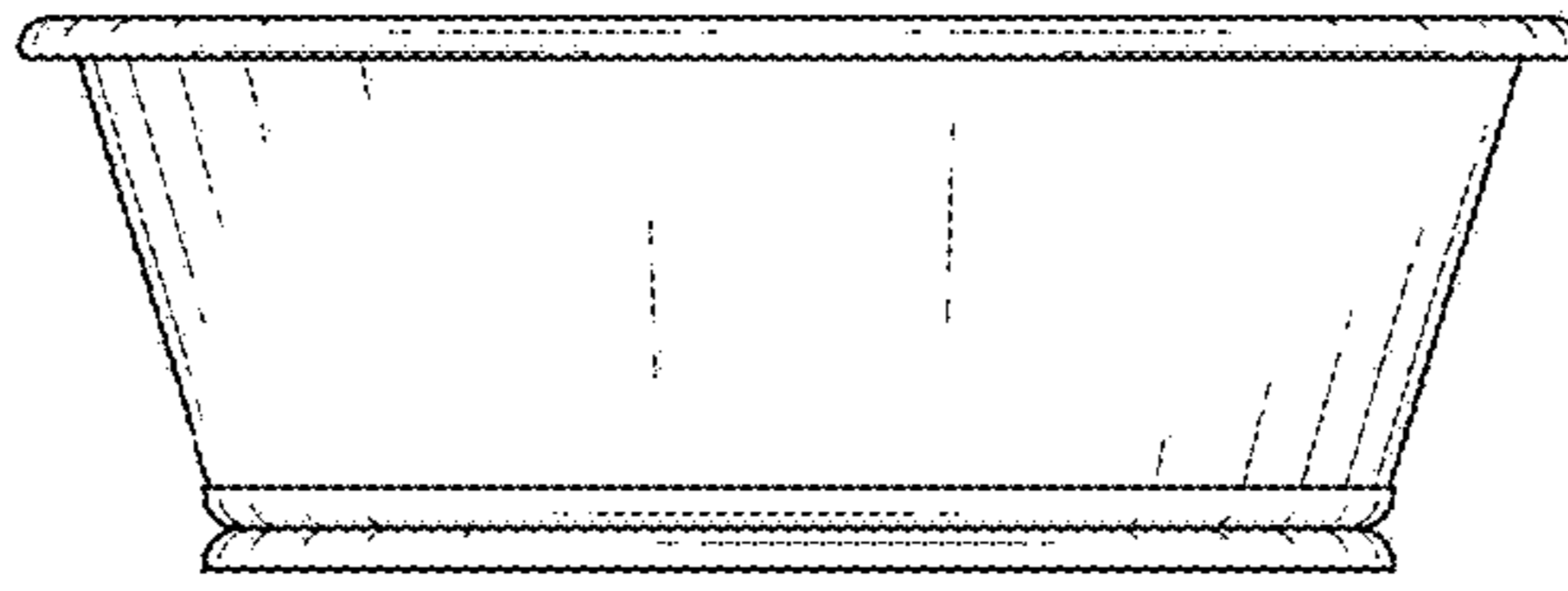
*Fig. 1*



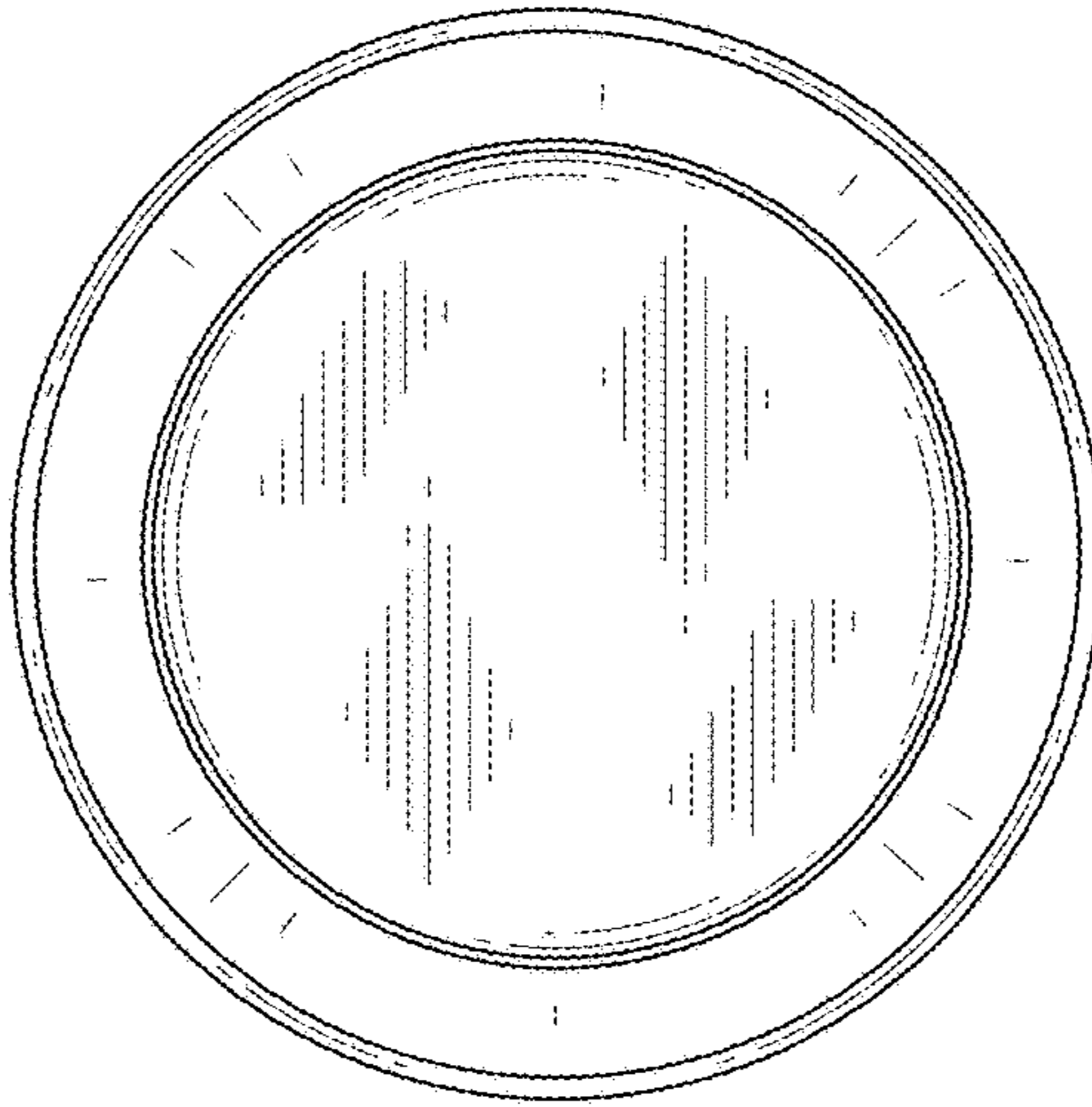
*Fig. 2*



*Fig. 3*



*Fig. 4*



*Fig. 5*