



US00D869238S

(12) **United States Design Patent**
Saubert et al.

(10) **Patent No.:** **US D869,238 S**

(45) **Date of Patent:** **** Dec. 10, 2019**

(54) **MIXER BOWL**

(71) Applicant: **TRANSFORM SR BRANDS LLC**,
Hoffman Estates, IL (US)

(72) Inventors: **Michael Saubert**, Hoffman Estates, IL
(US); **Michael Seskauskas**, Lemont, IL
(US); **Elizabeth Reuter**, Greenfield, IN
(US)

(73) Assignee: **Transform SR Brands LLC**, Hoffman
Estates, IL (US)

(**) Term: **15 Years**

(21) Appl. No.: **29/664,089**

(22) Filed: **Sep. 21, 2018**

(51) **LOC (12) Cl.** **31-00**

(52) **U.S. Cl.**
USPC **D7/412; D7/379; D7/413**

(58) **Field of Classification Search**
USPC D7/372, 376-386, 412-413, 586, 602,
D7/629, 665-666, 669, 679, 693-694
CPC A21C 1/02; A21C 1/04; A23N 1/00; A23N
1/02; A47J 43/04; A47J 43/25; A47J
43/27; A47J 43/042; A47J 43/044; A47J
43/046; A47J 43/075; A47J 43/0722;
A47J 43/0727; A47J 45/077; B01F 3/00;
B01F 3/0807; B01F 3/0853; B01F
13/0059; B01F 13/0064; B02C 1/08;
B02C 2/04; B02C 4/42; B02C 4/142;
B02C 4/143; B02C 4/423; B02C 13/1835;
B28C 5/10; B28C 5/12; B28C 5/14;
B28C 5/16

See application file for complete search history.

(56) **References Cited**

U.S. PATENT DOCUMENTS

2,677,947 A * 5/1954 Guilder A47J 45/077
16/443
D447,003 S * 8/2001 Feil D7/412

D450,530 S * 11/2001 Mauch D7/384
D499,604 S * 12/2004 Hooper D7/376
7,175,338 B2 * 2/2007 Hooper A47J 43/044
366/197
D616,699 S * 6/2010 Hoare D7/376
D654,304 S * 2/2012 Bodum D7/376
D668,915 S * 10/2012 Drees D7/543
D702,487 S * 4/2014 Gillette D7/376
D748,428 S * 2/2016 Yuan D7/376
D753,434 S * 4/2016 Bazzicalupo D7/376
D758,125 S * 6/2016 Jeong A47J 43/044
D772,643 S * 11/2016 Bazzicalupo A47J 45/077
D7/376

* cited by examiner

Primary Examiner — Ricky Pham

(74) *Attorney, Agent, or Firm* — McAndrews, Held &
Malloy, Ltd.

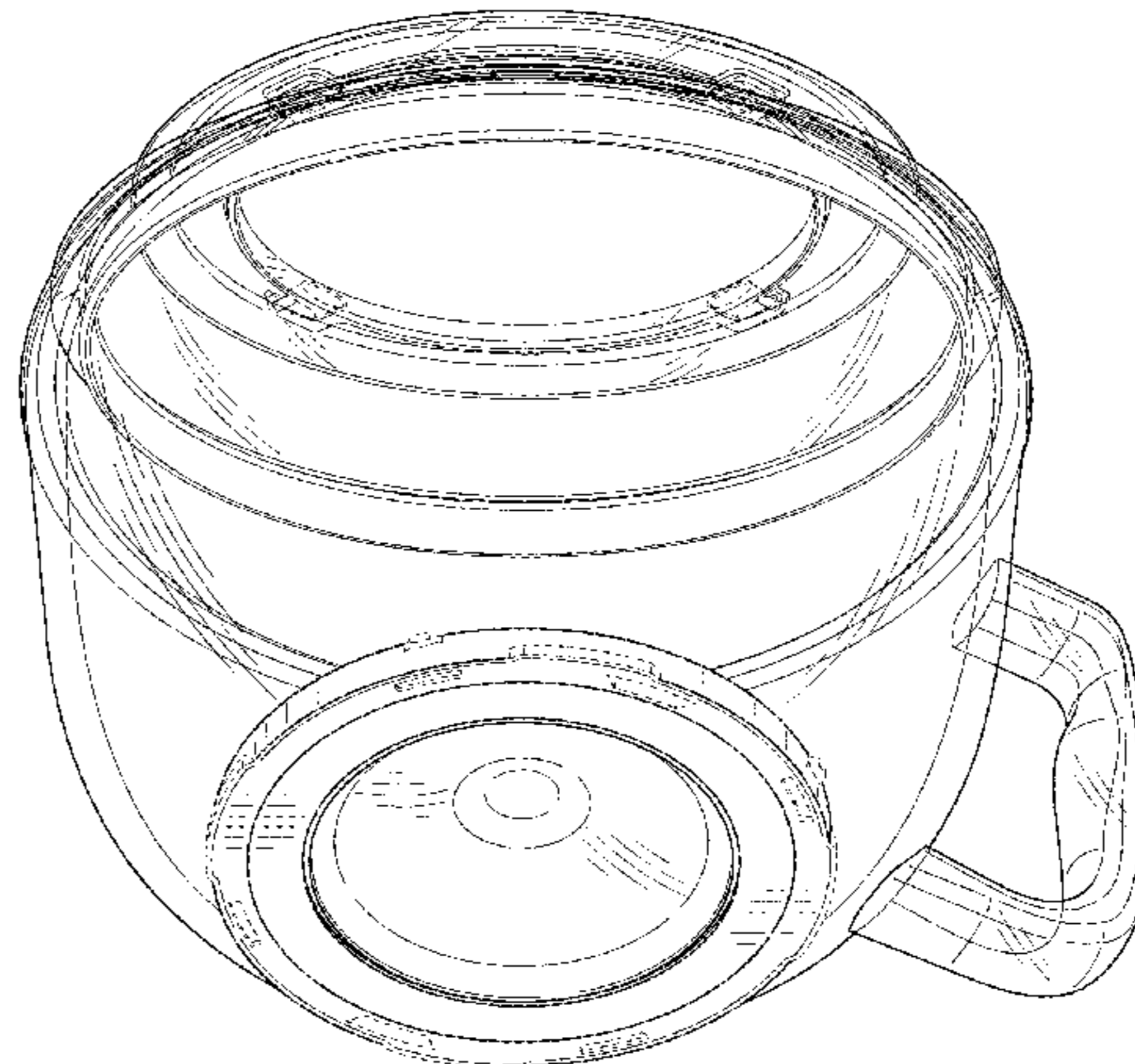
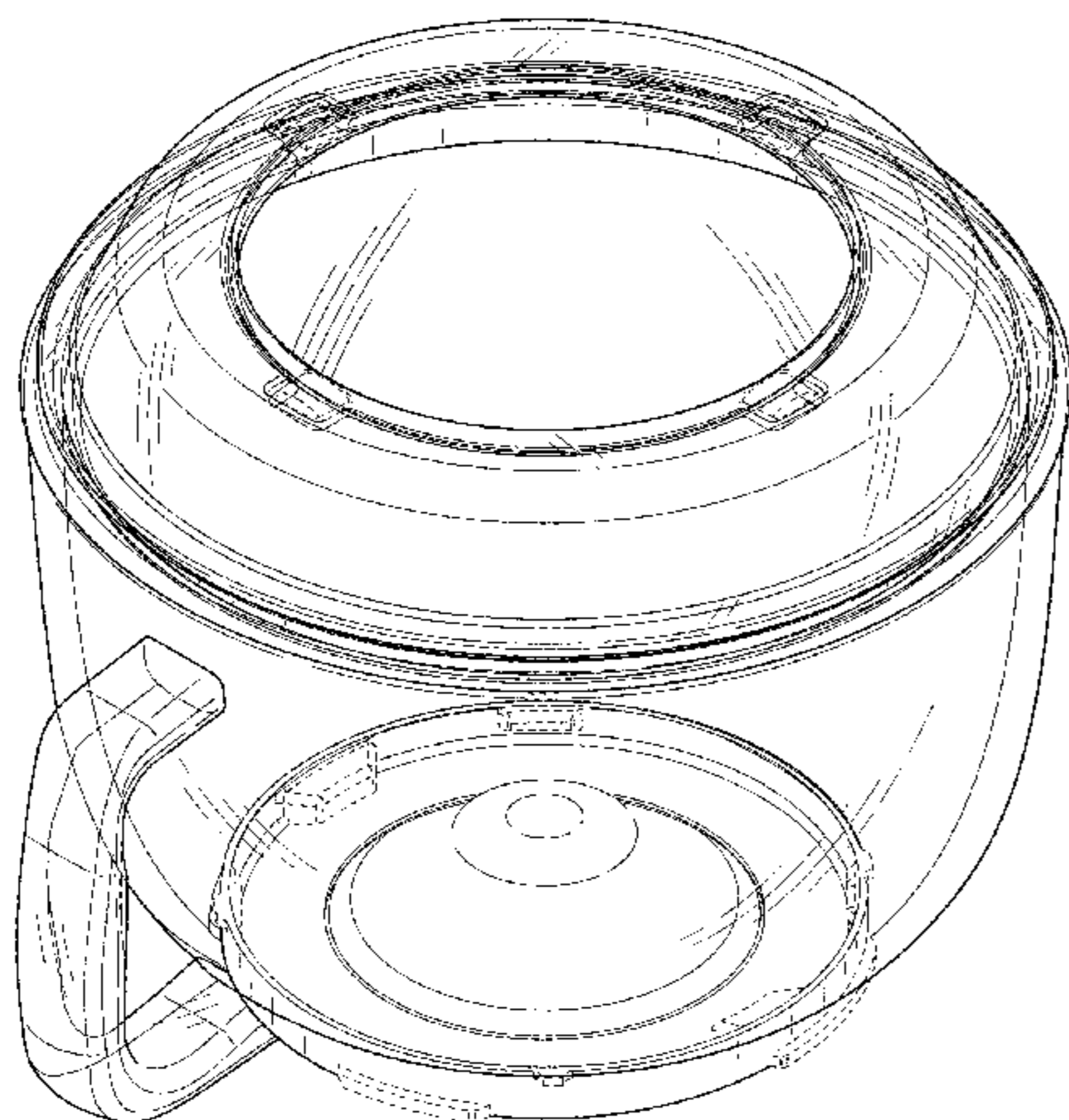
(57) **CLAIM**

The ornamental design for a mixer bowl, as shown and
described.

DESCRIPTION

FIG. 1 is a top-front perspective view of a mixer bowl
showing our new design;
FIG. 2 is a front elevation view thereof;
FIG. 3 is a rear elevation view thereof;
FIG. 4 is a right side elevation view thereof;
FIG. 5 is a left side elevation thereof;
FIG. 6 is a top plan view thereof;
FIG. 7 is a bottom plan view thereof; and,
FIG. 8 is a bottom-rear perspective view thereof.
The dashed broken lines in the figures illustrate portions of
the mixer bowl that form no part of the claimed design.

1 Claim, 8 Drawing Sheets



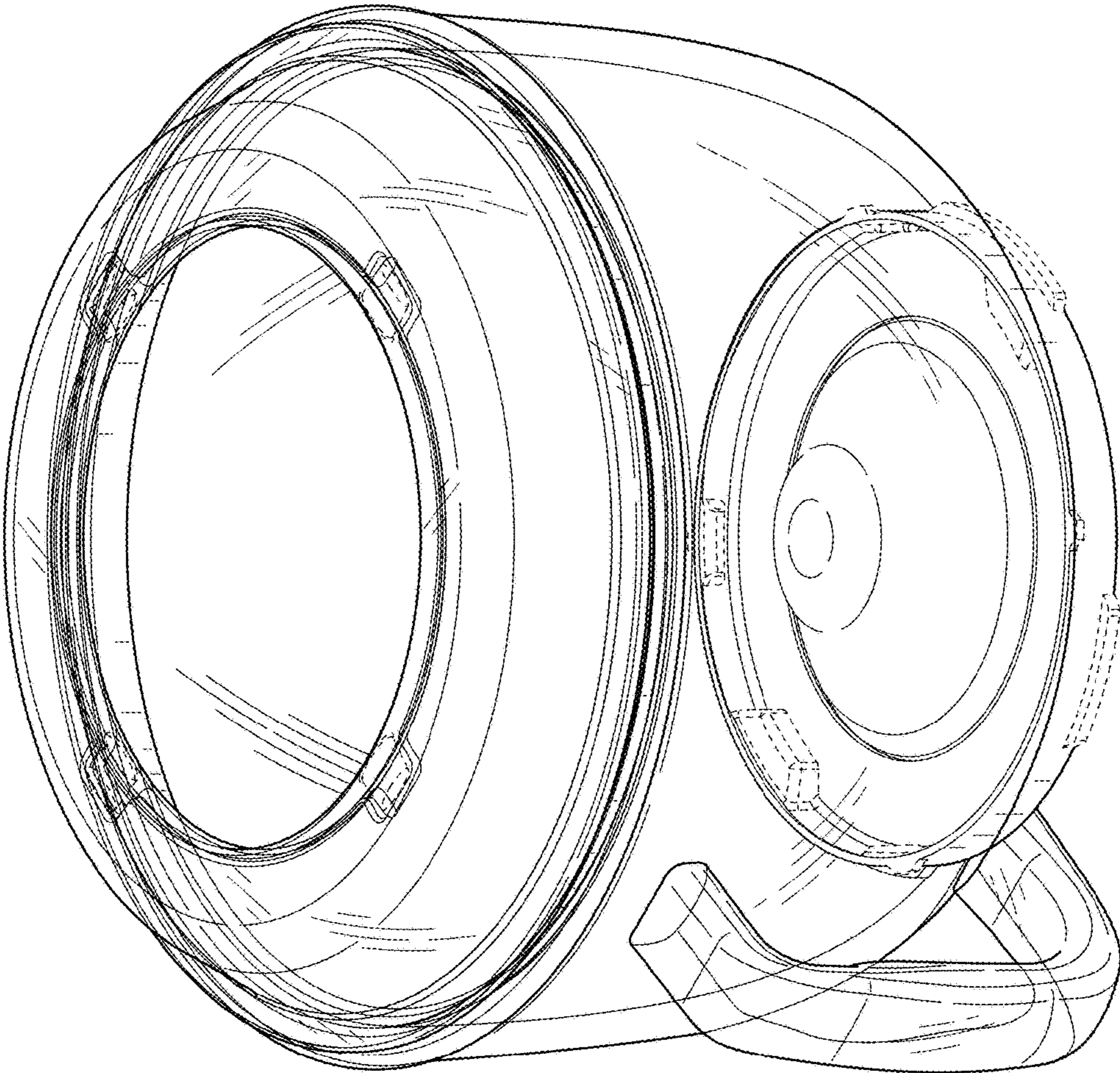


FIG. 1

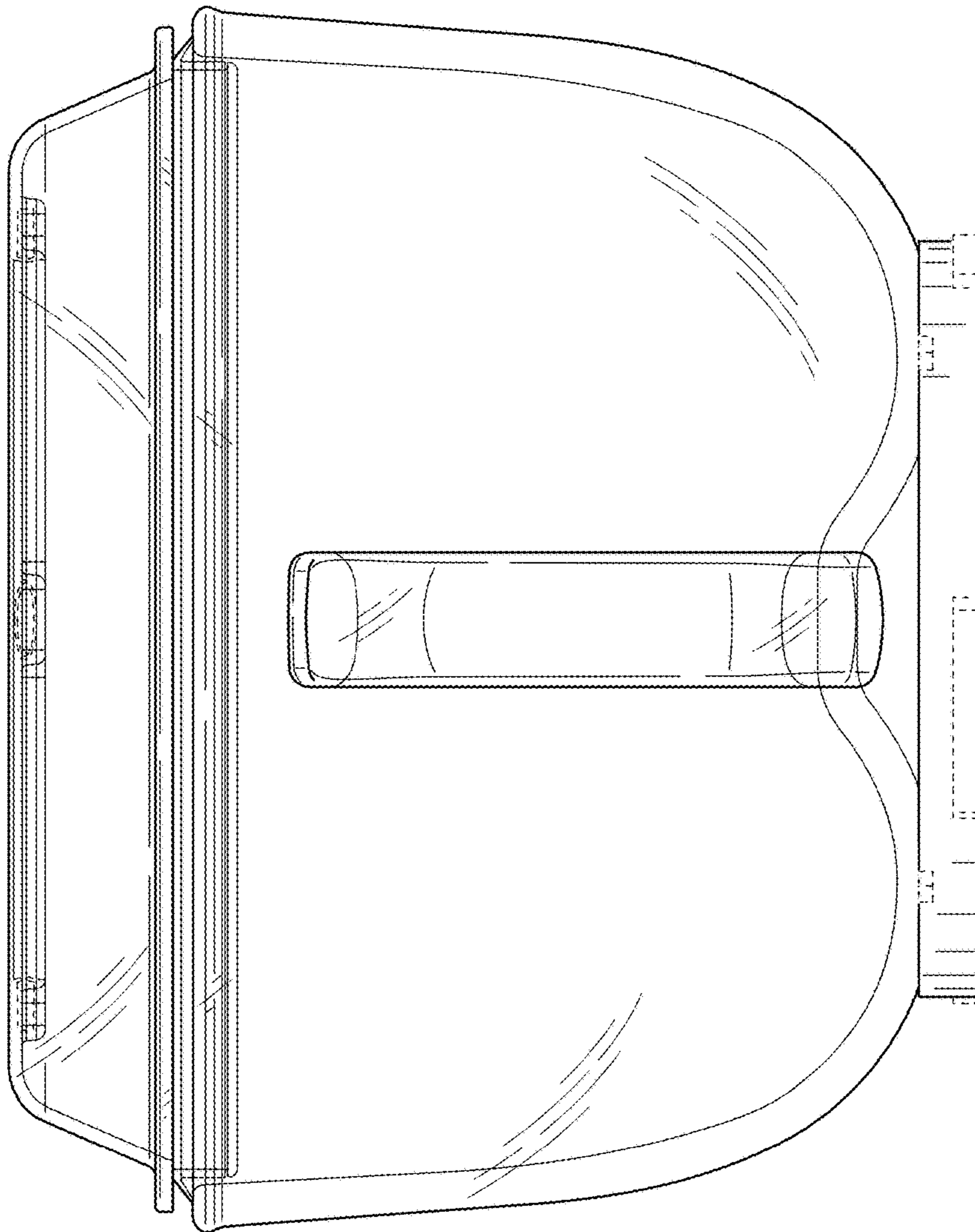


FIG. 2

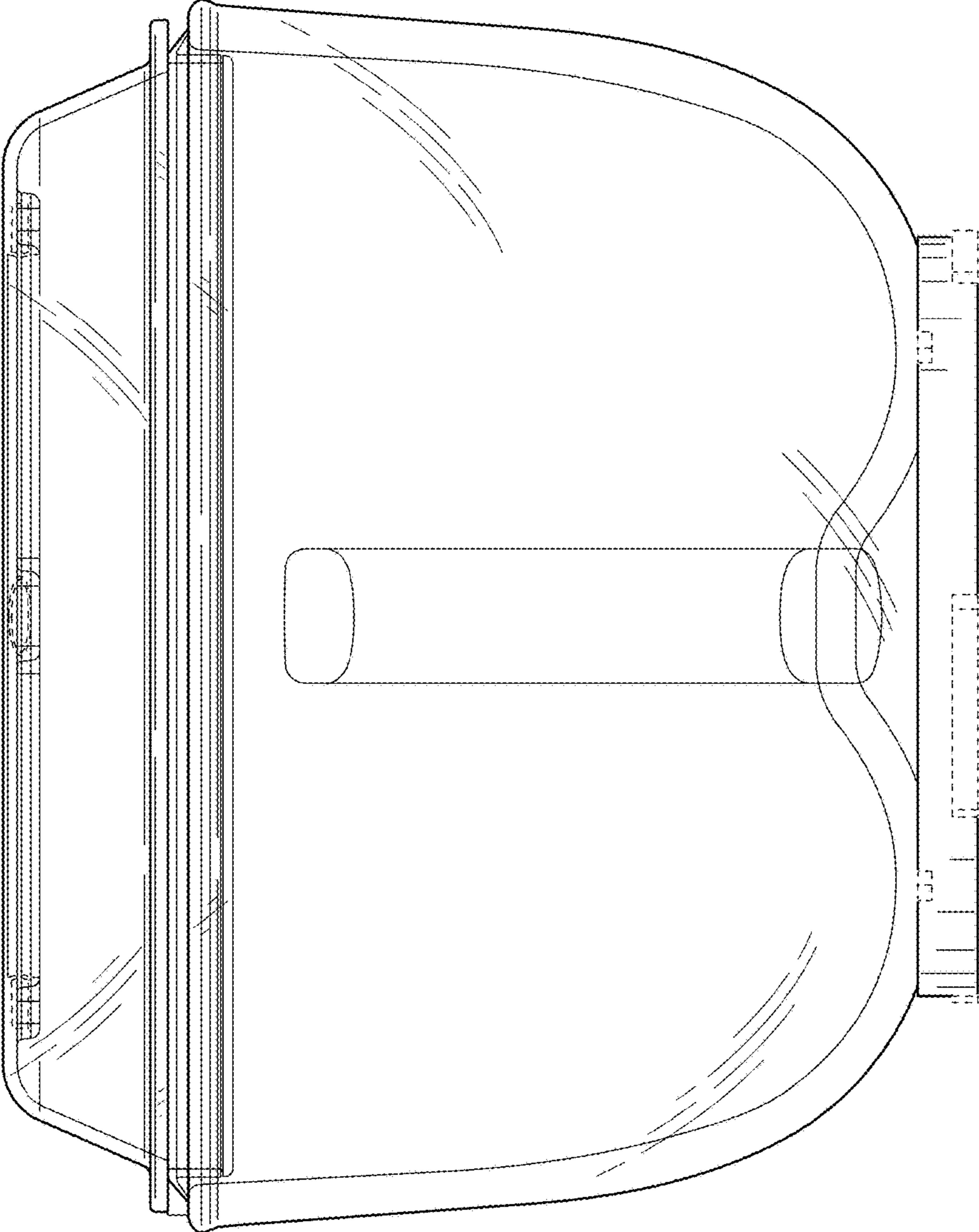


FIG. 3

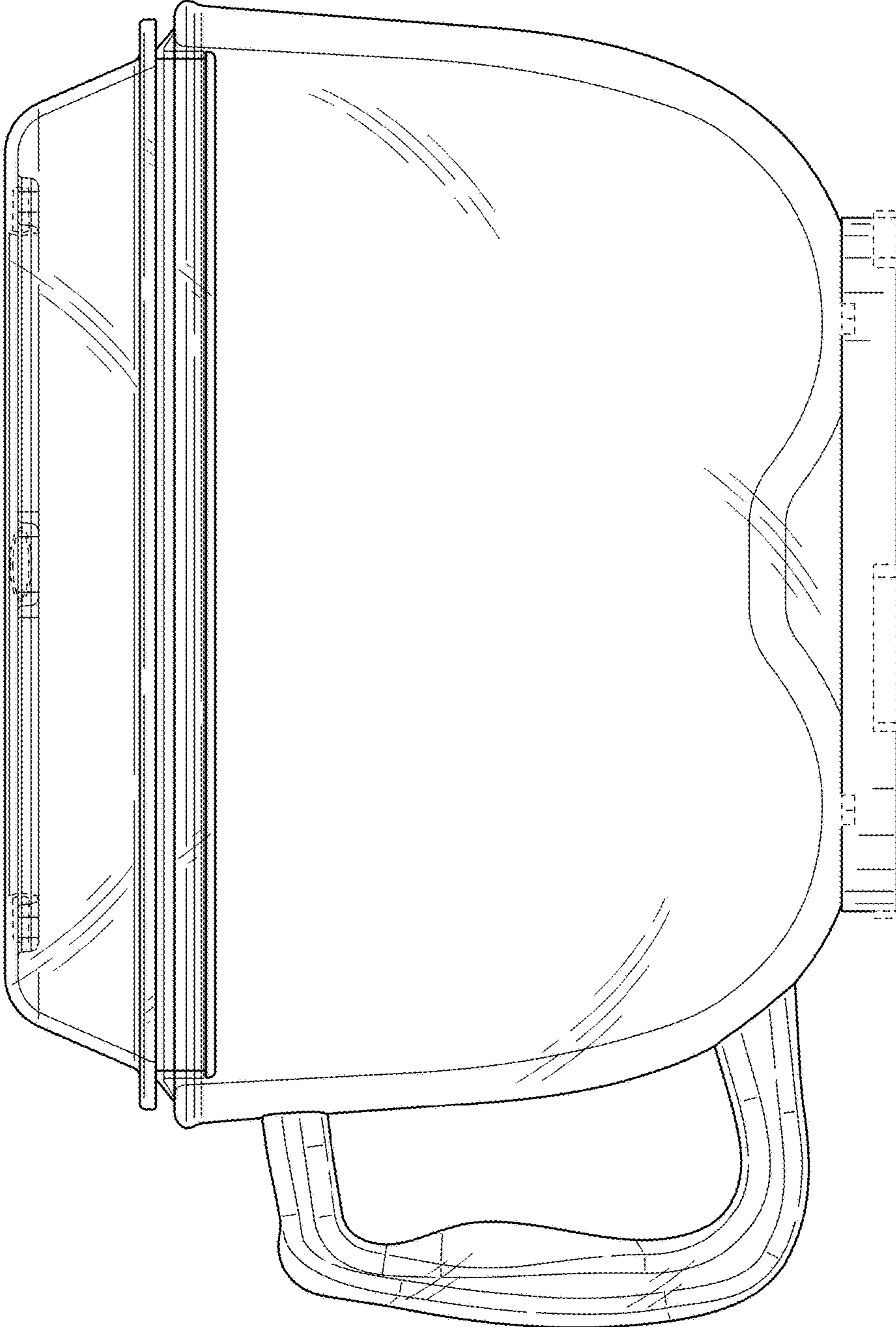


FIG. 4

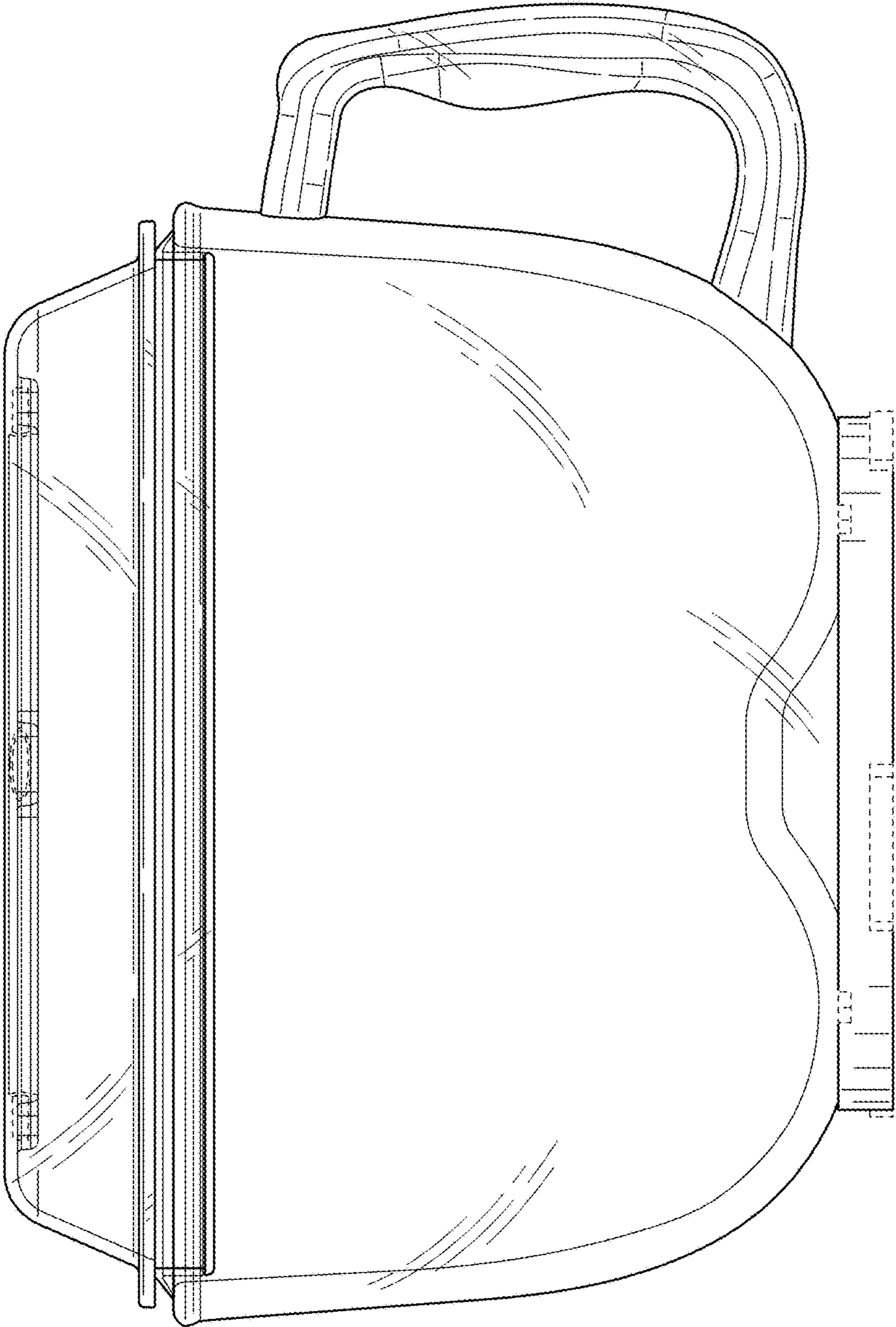


FIG. 5

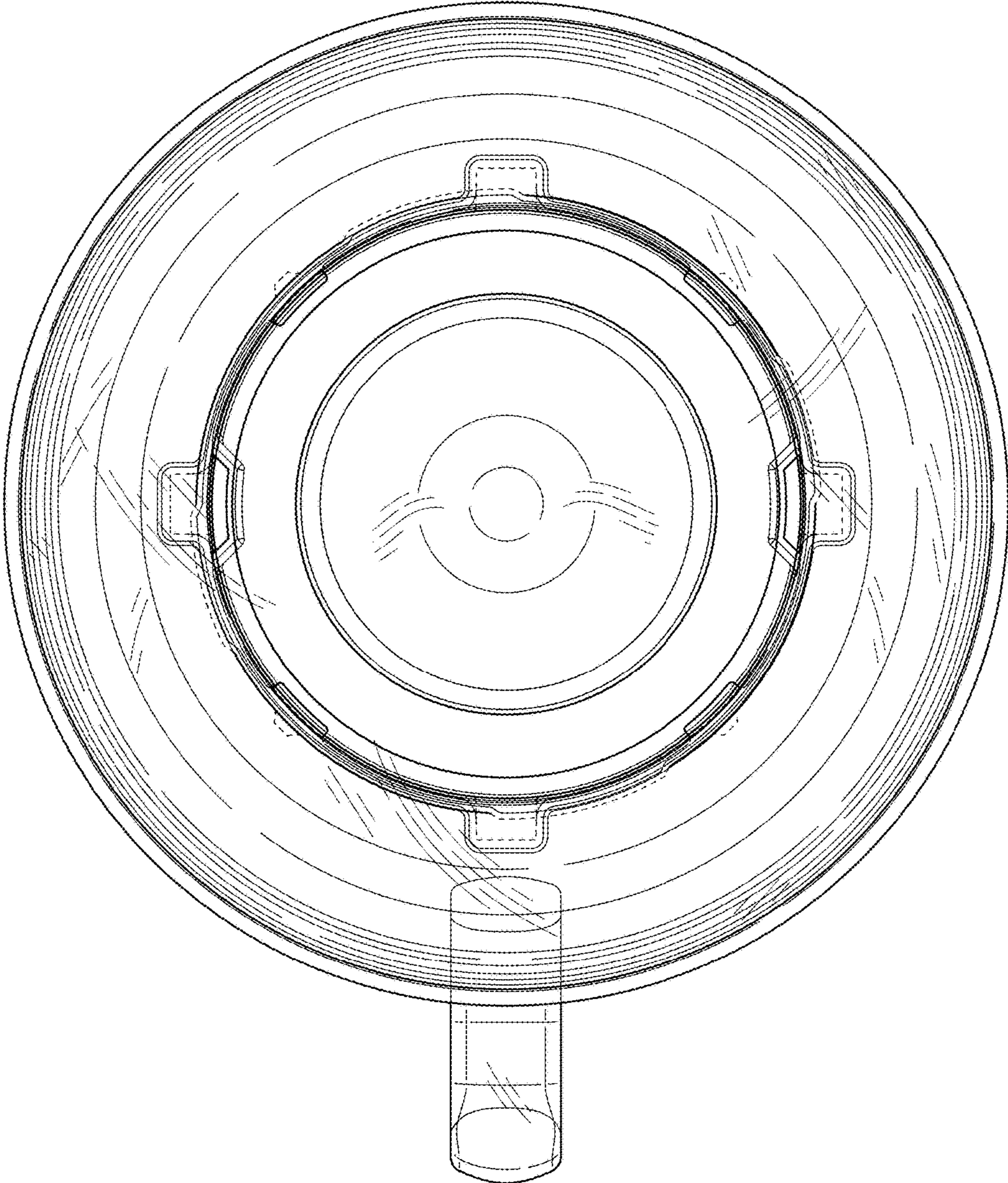


FIG. 6

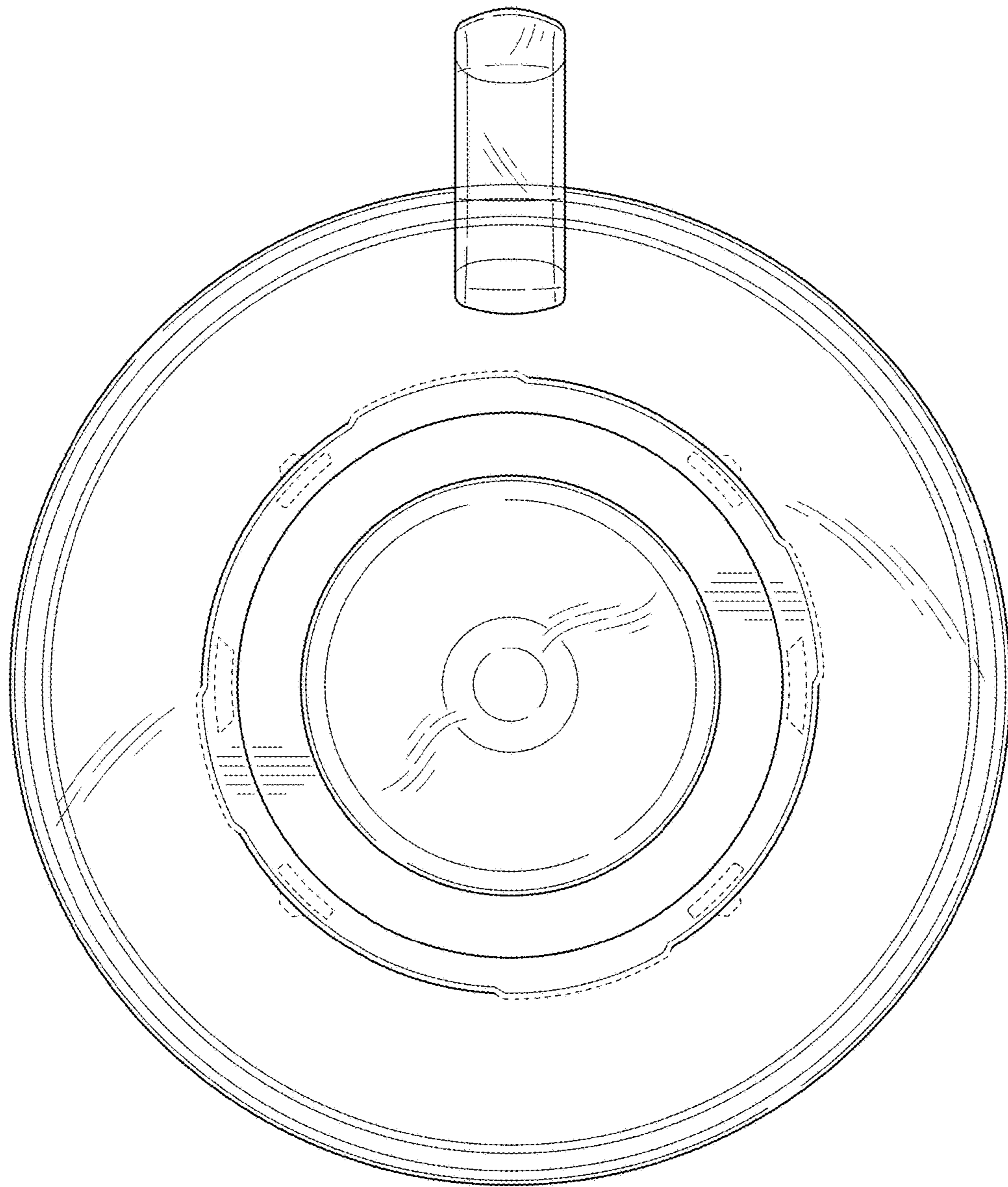


FIG. 7

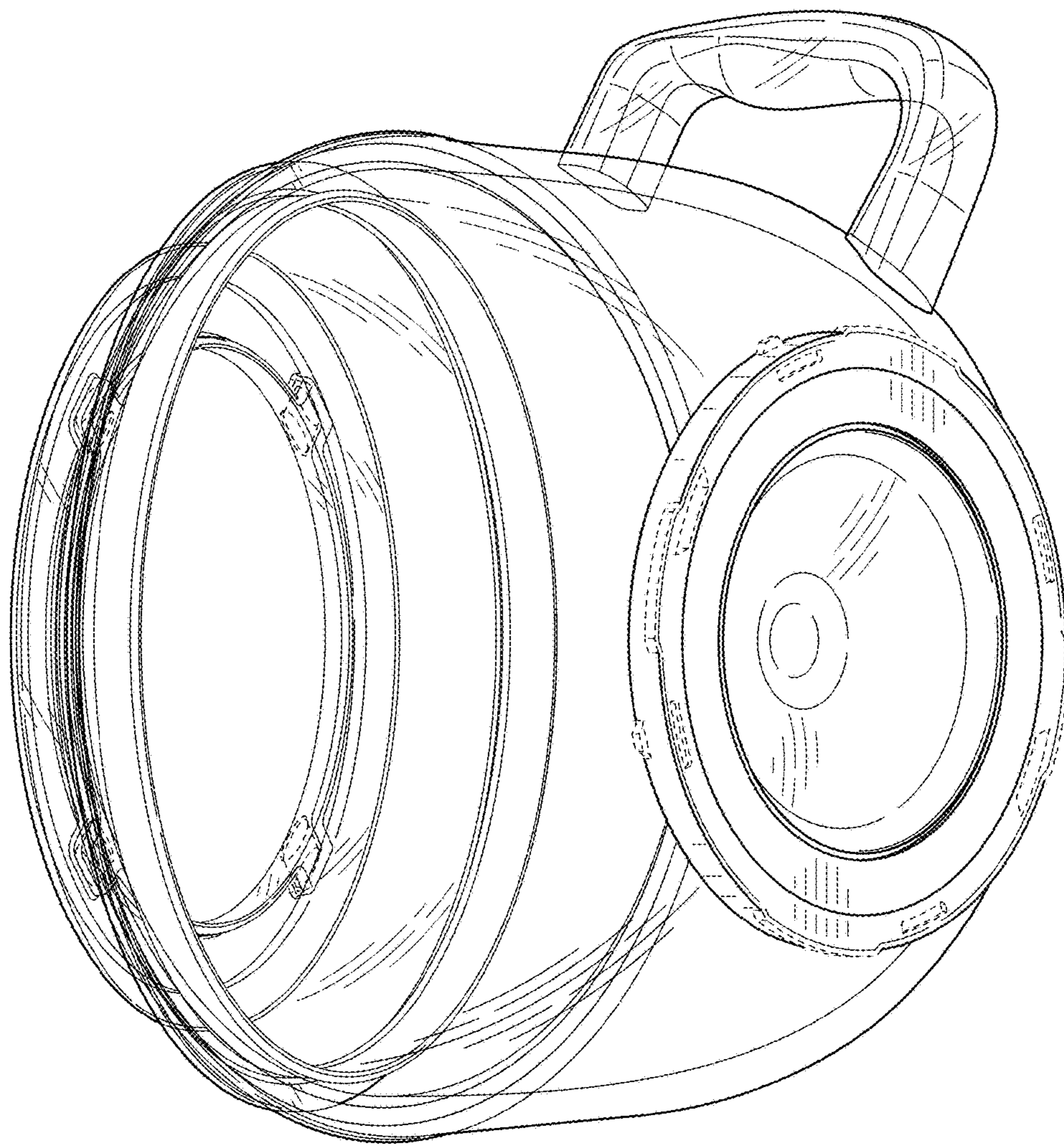


FIG. 8