



US00D869233S

(12) **United States Design Patent** (10) **Patent No.:** **US D869,233 S**  
**Jo et al.** (45) **Date of Patent:** **\*\* Dec. 10, 2019**

(54) **DOOR FOR BUILT-IN OVEN RANGE**

(71) Applicant: **LG ELECTRONICS INC.**, Seoul (KR)

(72) Inventors: **Yuna Jo**, Seoul (KR); **Sangwoo Kim**, Seoul (KR); **Sooyeon Kim**, Seoul (KR); **Yoonji Lee**, Seoul (KR); **Hangbok Lee**, Seoul (KR); **Jaemyung Lim**, Seoul (KR); **Hanjin Jung**, Seoul (KR); **Sangwoog Cho**, Seoul (KR)

(73) Assignee: **LG ELECTRONICS INC.**, Seoul (KR)

(\*\*) Term: **15 Years**

(21) Appl. No.: **35/505,351**

(22) Filed: **Jan. 19, 2018**

(80) **Hague Agreement Data**

Int. Filing Date: **Jan. 19, 2018**

Int. Reg. No.: **DM/099528**

Int. Reg. Date: **Jan. 19, 2018**

Int. Reg. Pub. Date: **Jul. 20, 2018**

(30) **Foreign Application Priority Data**

Jul. 21, 2017 (KR) ..... 30-2017-0033737

(51) **LOC (12) Cl.** ..... **07-02**

(52) **U.S. Cl.**  
USPC ..... **D7/405**

(58) **Field of Classification Search**  
USPC ..... D7/402-407, 346-349, 323, 339-340, D7/350.1-350.4, 351, 332  
CPC ..... H05B 1/0261; H05B 1/0263; F24C 3/00; F24C 3/002; F24C 5/00; F24C 7/00; F24C 15/02

See application file for complete search history.

(56) **References Cited**

U.S. PATENT DOCUMENTS

2,422,950	A *	6/1947	Cash	.....	F24C 7/00 126/37 A
2,445,021	A *	7/1948	Clark	.....	H01H 3/004 219/413
5,756,970	A *	5/1998	Barger	.....	F24C 7/087 219/412
5,808,278	A *	9/1998	Moon	.....	A47G 33/00 200/43.01
D410,818	S *	6/1999	Best	.....	D7/332
D557,548	S *	12/2007	Fisher	.....	D7/340
D586,618	S *	2/2009	Cutino	.....	D7/405
D665,625	S *	8/2012	Sadtler	.....	D7/405
D722,816	S *	2/2015	Lee	.....	D7/405
D726,492	S *	4/2015	Lee	.....	D7/339
D755,007	S *	5/2016	Lee	.....	D7/405
D764,228	S *	8/2016	Kim	.....	D7/405
D764,229	S *	8/2016	Chung	.....	D7/405
D766,030	S *	9/2016	Chung	.....	D7/348
D771,995	S *	11/2016	Bhagal	.....	D7/350.1

(Continued)

*Primary Examiner* — Sheryl Lane

*Assistant Examiner* — Nicole C Shiflet

(74) *Attorney, Agent, or Firm* — Birch, Stewart, Kolasch & Birch, LLP

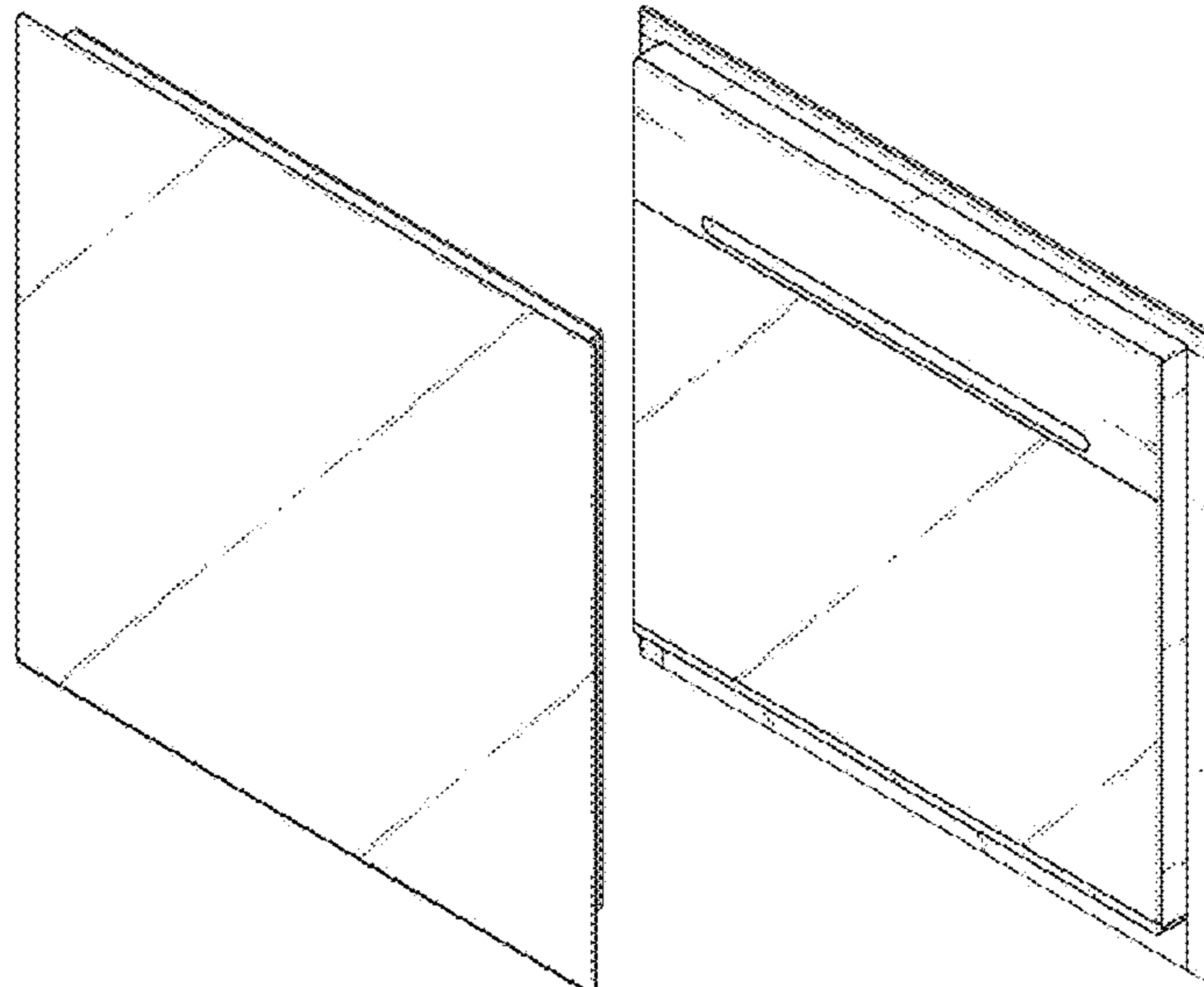
(57) **CLAIM**

The ornamental design for a door for built-in oven range, as shown and described.

**DESCRIPTION**

1. Door for built-in oven range
- 1.1 is a front perspective view of a door for built-in oven range;
- 1.2 is a front view thereof;
- 1.3 is a back view thereof;
- 1.4 is a left view thereof where the right view is a mirror image;
- 1.5 is a top view thereof;
- 1.6 is a bottom view thereof; and
- 1.7 is a back perspective view thereof.

**1 Claim, 7 Drawing Sheets**



(56)

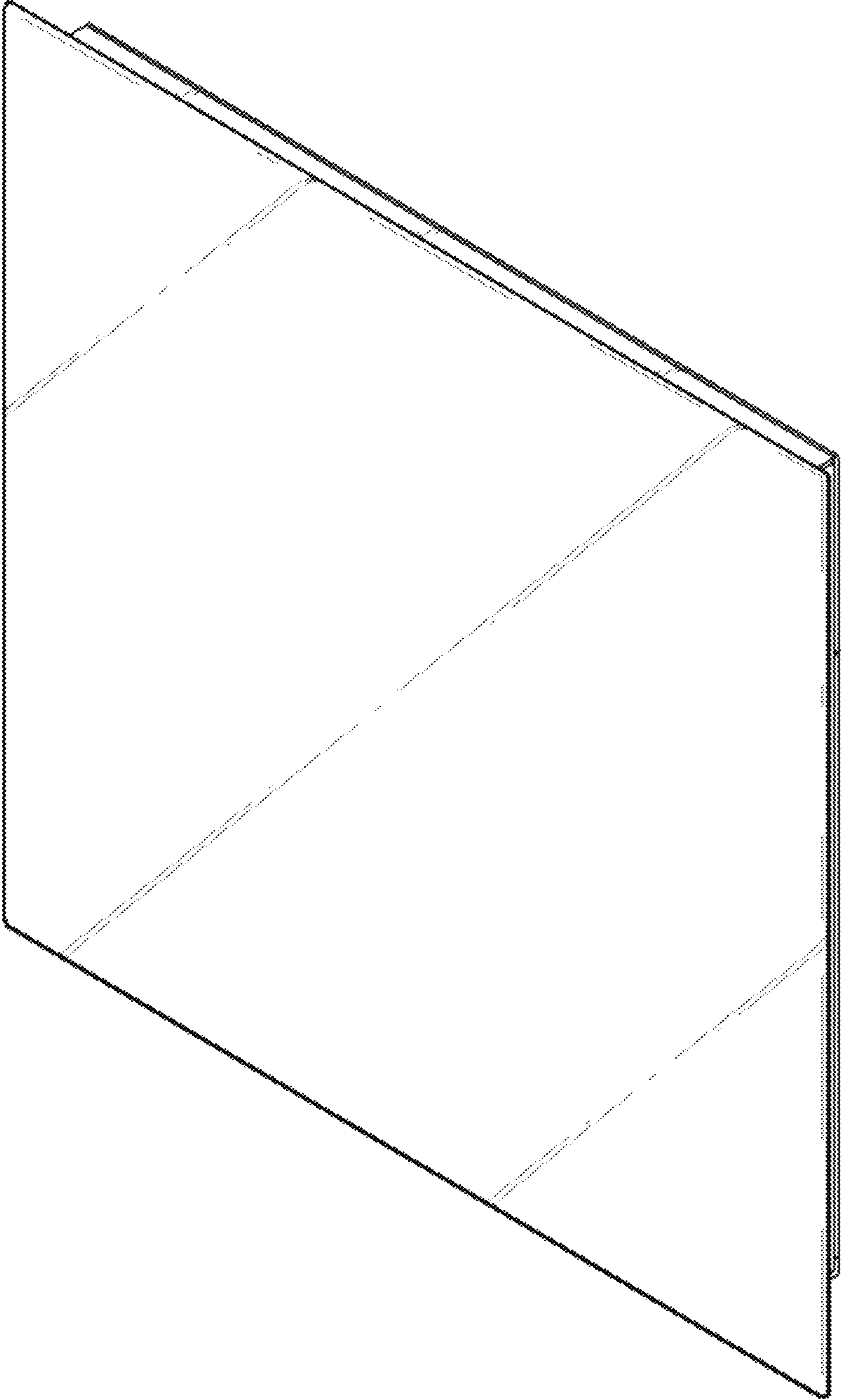
**References Cited**

U.S. PATENT DOCUMENTS

D771,996 S \* 11/2016 Bhogal ..... D7/350.1  
D779,876 S \* 2/2017 Chung ..... D7/405  
D789,739 S \* 6/2017 Jeon ..... D7/405  
D825,248 S \* 8/2018 Jeon ..... D7/340  
2018/0045419 A1\* 2/2018 Kim ..... F24C 7/082

\* cited by examiner

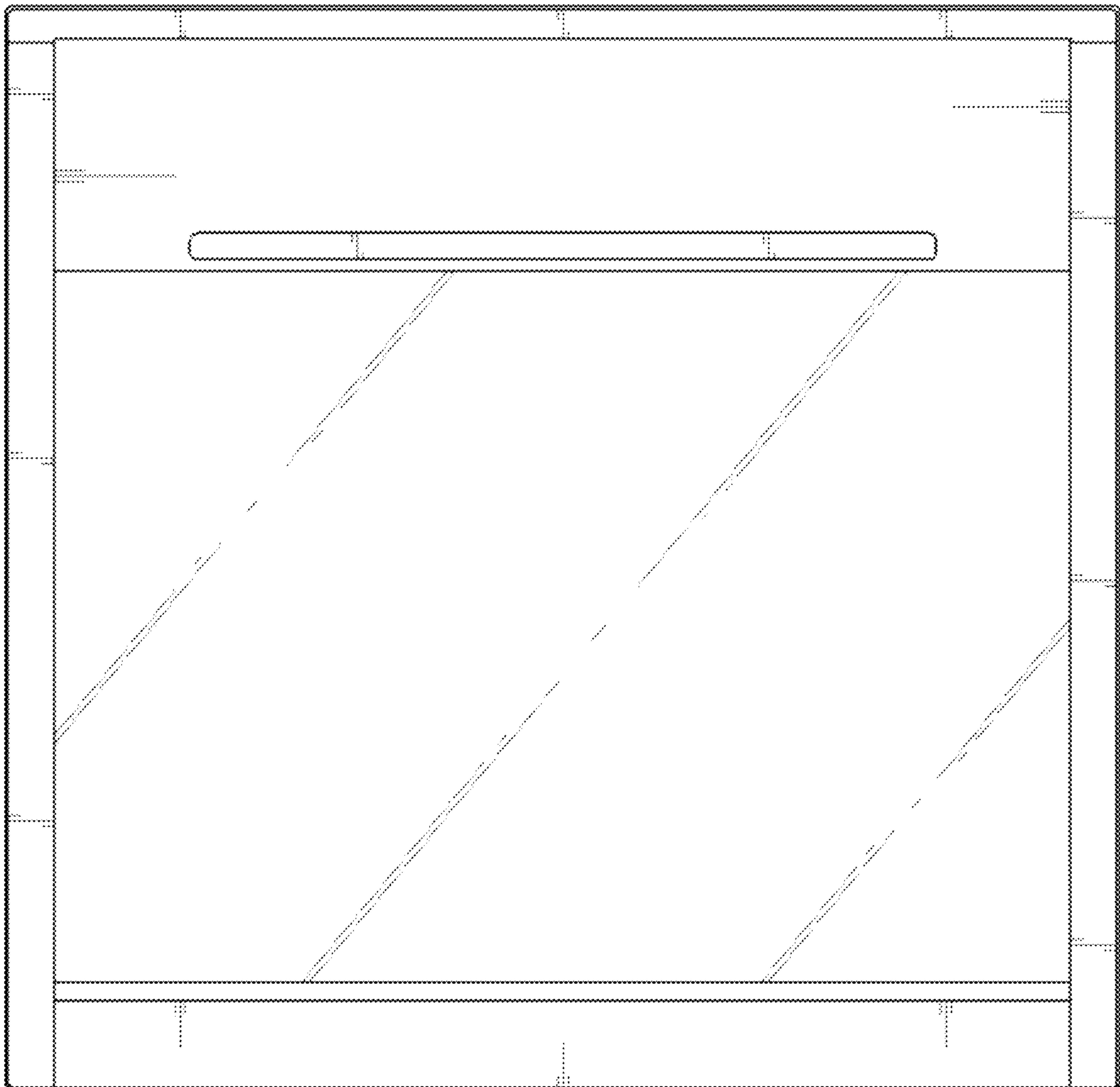
1.1



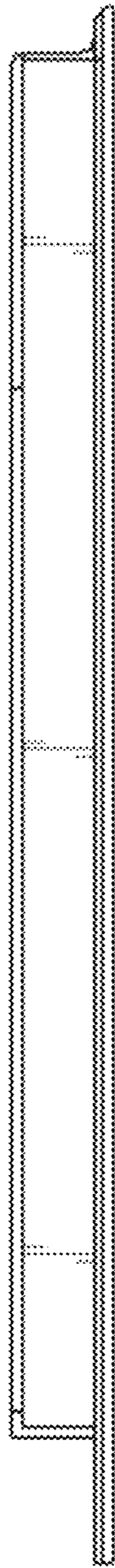
1.2



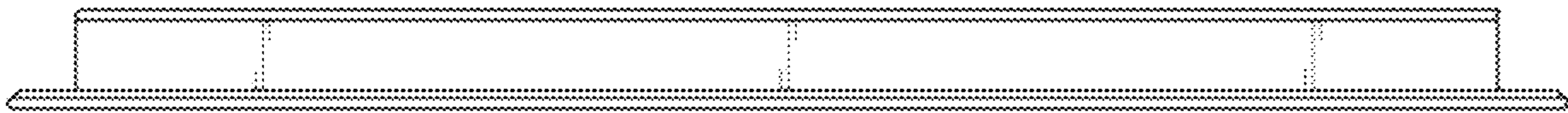
1.3



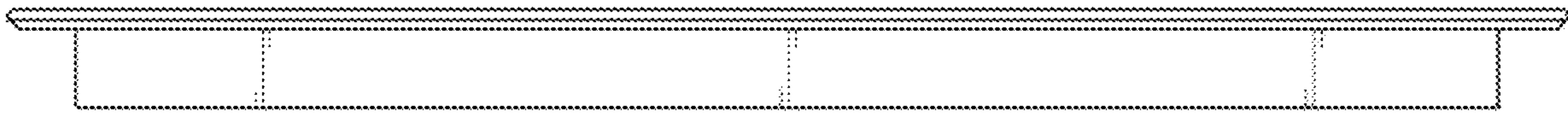
1.4



1.5



1.6





1.7

