

US00D869232S

(12) **United States Design Patent** (10) **Patent No.:** **US D869,232 S**  
**Kim et al.** (45) **Date of Patent:** **\*\* Dec. 10, 2019**

(54) **MAIN BODY FOR BUILT-IN OVEN RANGE**

(56) **References Cited**

(71) Applicant: **LG ELECTRONICS INC.**, Seoul (KR)  
(72) Inventors: **Sangwoo Kim**, Seoul (KR); **Sooyeon Kim**, Seoul (KR); **Yoonji Lee**, Seoul (KR); **Hangbok Lee**, Seoul (KR); **Jaemyung Lim**, Seoul (KR); **Hanjin Jung**, Seoul (KR); **Sangwoog Cho**, Seoul (KR); **Yuna Jo**, Seoul (KR)  
(73) Assignee: **LG ELECTRONICS INC.**, Seoul (KR)

U.S. PATENT DOCUMENTS

D431,416 S \* 10/2000 Holbrook ..... D7/402  
7,721,728 B2 \* 5/2010 Ho Kim ..... F24C 15/006  
126/198  
7,874,289 B2 \* 1/2011 Larsen ..... F24C 15/04  
126/198  
D645,701 S \* 9/2011 Murphy ..... D7/402  
D764,228 S \* 8/2016 Kim ..... D7/405  
D780,512 S \* 3/2017 Jeon ..... D7/405  
D789,739 S \* 6/2017 Jeon ..... D7/405  
D821,814 S \* 7/2018 Carcano ..... D7/405  
2003/0150853 A1 \* 8/2003 Kang ..... H05B 6/6435  
219/720

(\*\*) Term: **15 Years**

\* cited by examiner

(21) Appl. No.: **35/505,328**

*Primary Examiner* — Sheryl Lane

(22) Filed: **Jan. 19, 2018**

*Assistant Examiner* — Nicole C Shiflet

(80) **Hague Agreement Data**

Int. Filing Date: **Jan. 19, 2018**  
Int. Reg. No.: **DM/099853**  
Int. Reg. Date: **Jan. 19, 2018**  
Int. Reg. Pub. Date: **Jul. 20, 2018**

(74) *Attorney, Agent, or Firm* — Birch, Stewart, Kolasch & Birch, LLP

(57) **CLAIM**

The ornamental design for a main body for built-in oven range, as shown and described.

**DESCRIPTION**

(30) **Foreign Application Priority Data**

Jul. 21, 2017 (KR) ..... 30-2017-0033741

(51) **LOC (12) Cl.** ..... **07-02**

(52) **U.S. Cl.**  
USPC ..... **D7/402**

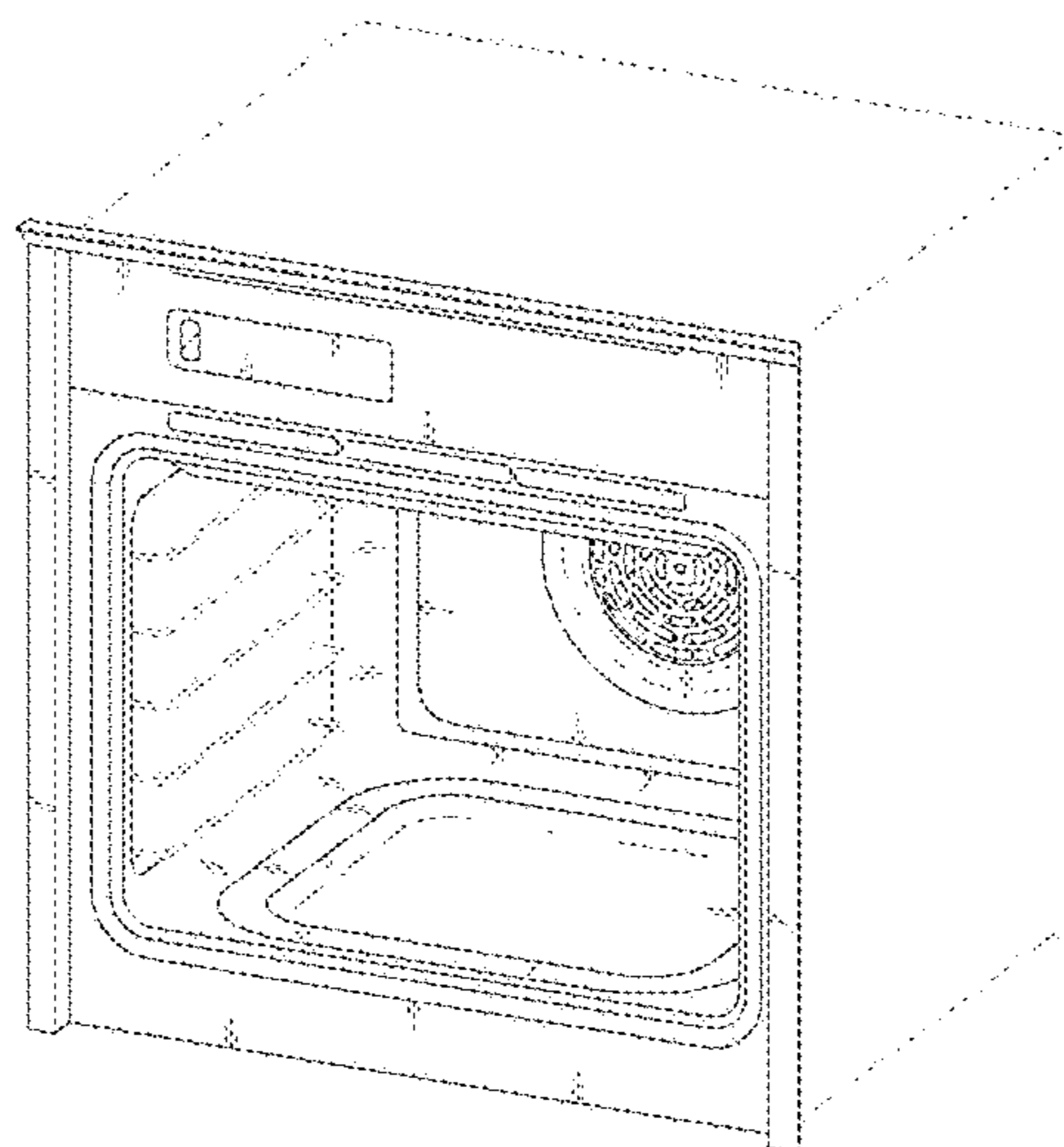
(58) **Field of Classification Search**  
USPC ..... D7/402-407, 346-349, 323, 339-340, D7/350.1-350.4, 351, 332  
CPC ..... H05B 1/0261; H05B 1/0263; F24C 3/00; F24C 3/002; F24C 5/00; F24C 7/00; F24C 15/02

1. Main body for built-in oven range  
1.1 is a front perspective view of a main body for built-in oven range;  
1.2 is a front view thereof;  
1.3 is a back view thereof;  
1.4 is a left view thereof, where the right view is a mirror image;  
1.5 is a top view thereof;  
1.6 is a bottom view thereof; and  
1.7 is a bottom perspective view thereof.

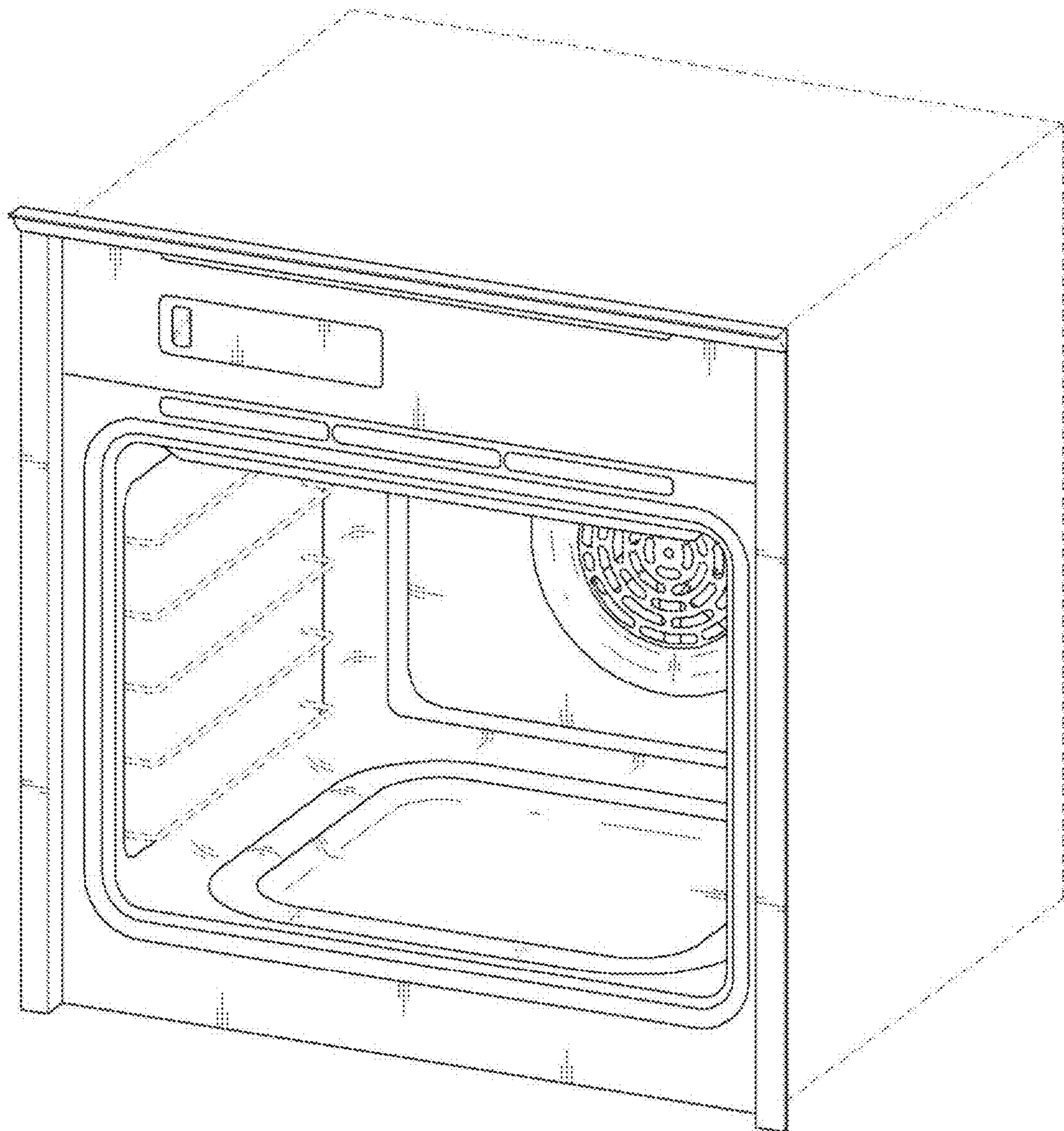
The dash-dash broken lines depict portions of the main body for built-in oven range that form no part of the claimed design. The dash-dot broken lines define the boundary of the claimed design and form no part thereof.

See application file for complete search history.

**1 Claim, 7 Drawing Sheets**

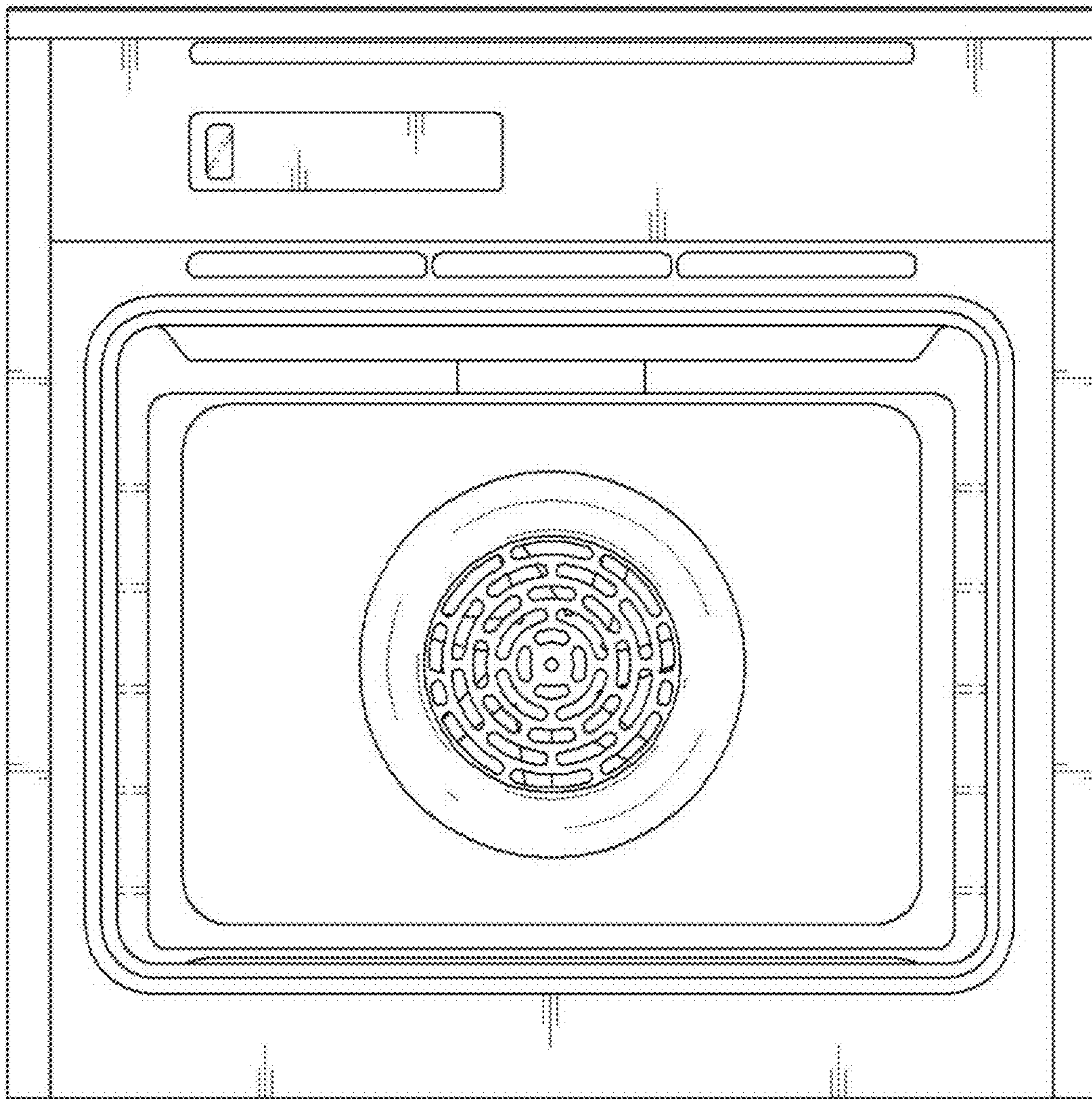


1.1

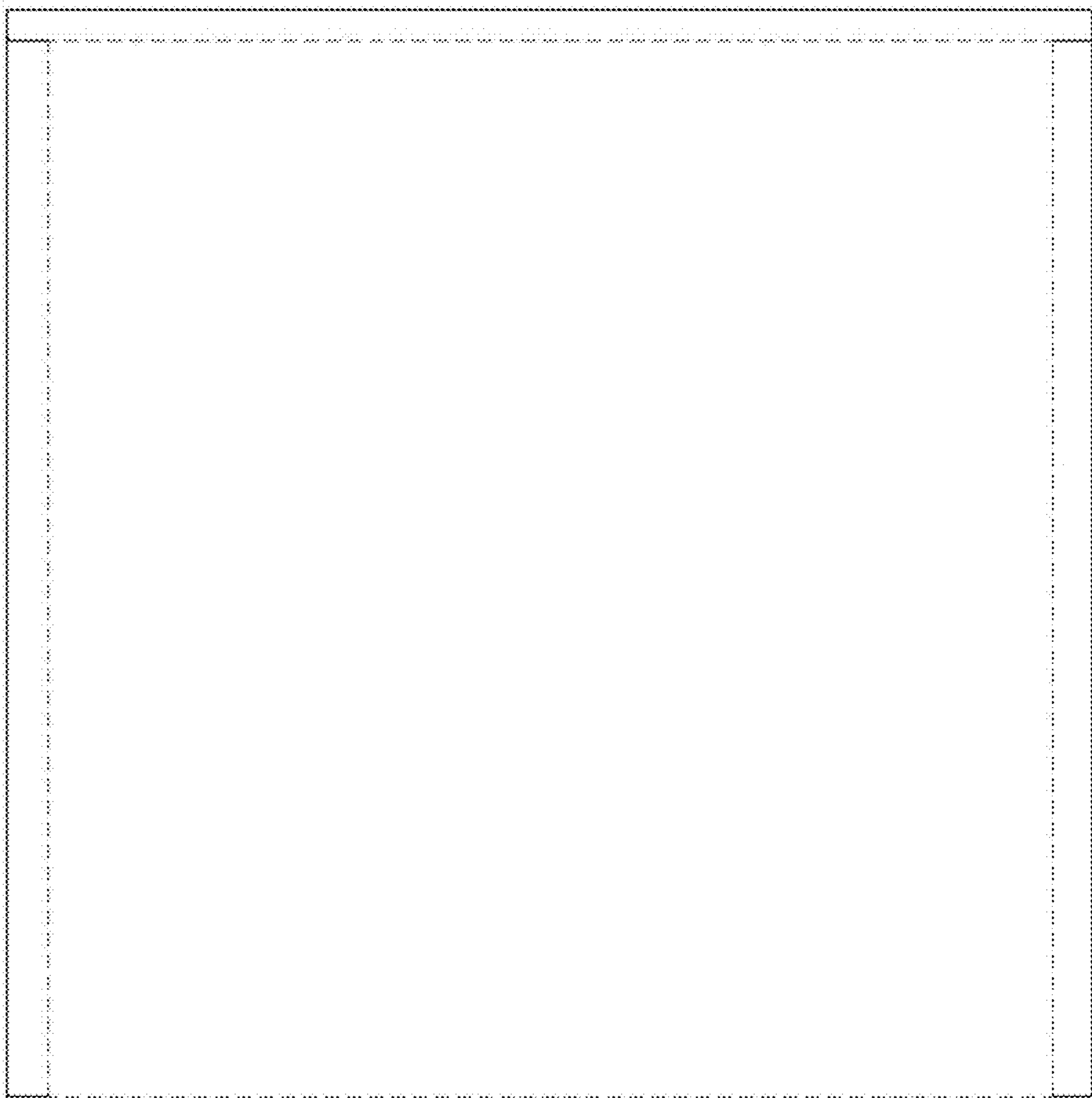




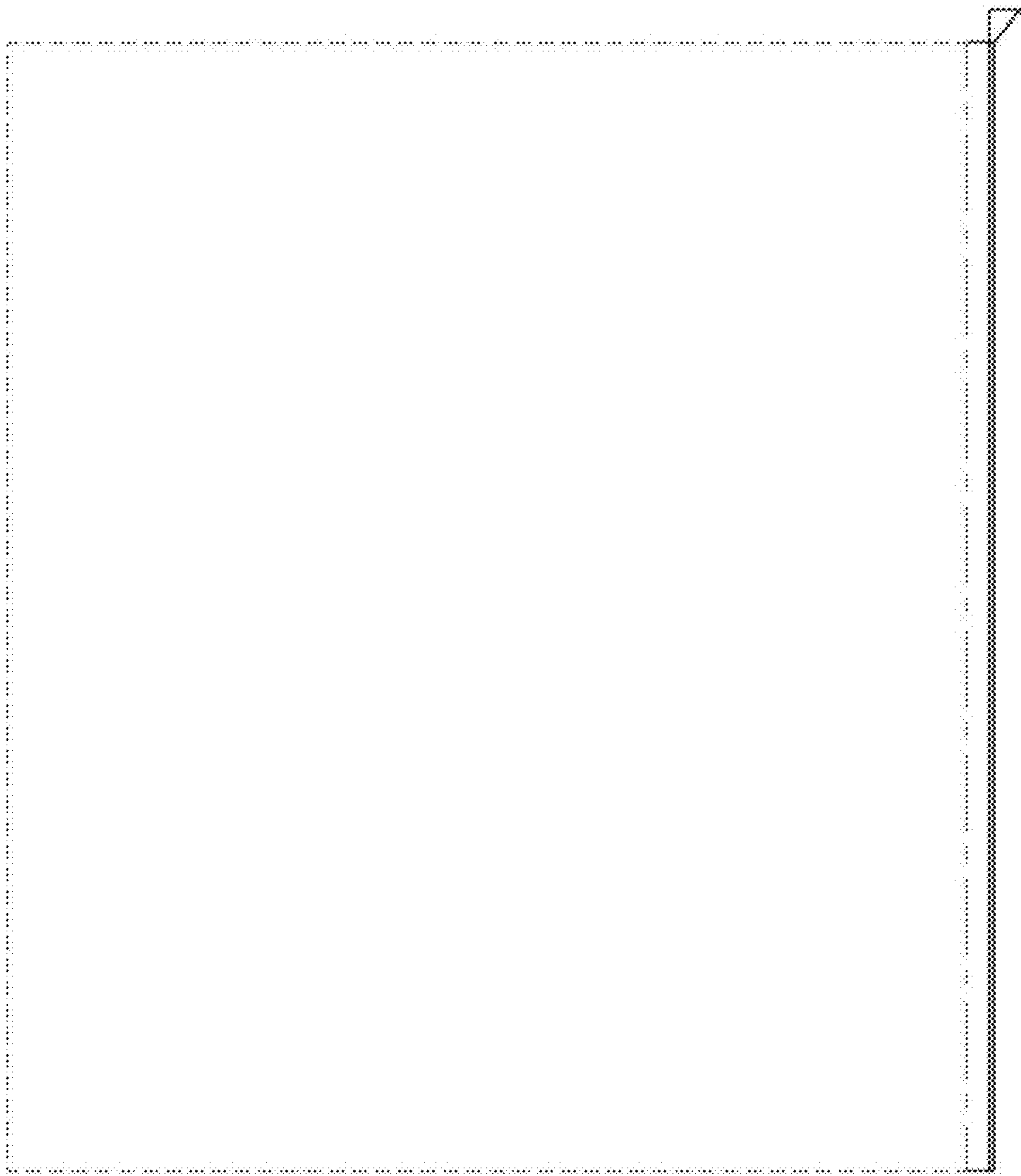
1.2



1.3



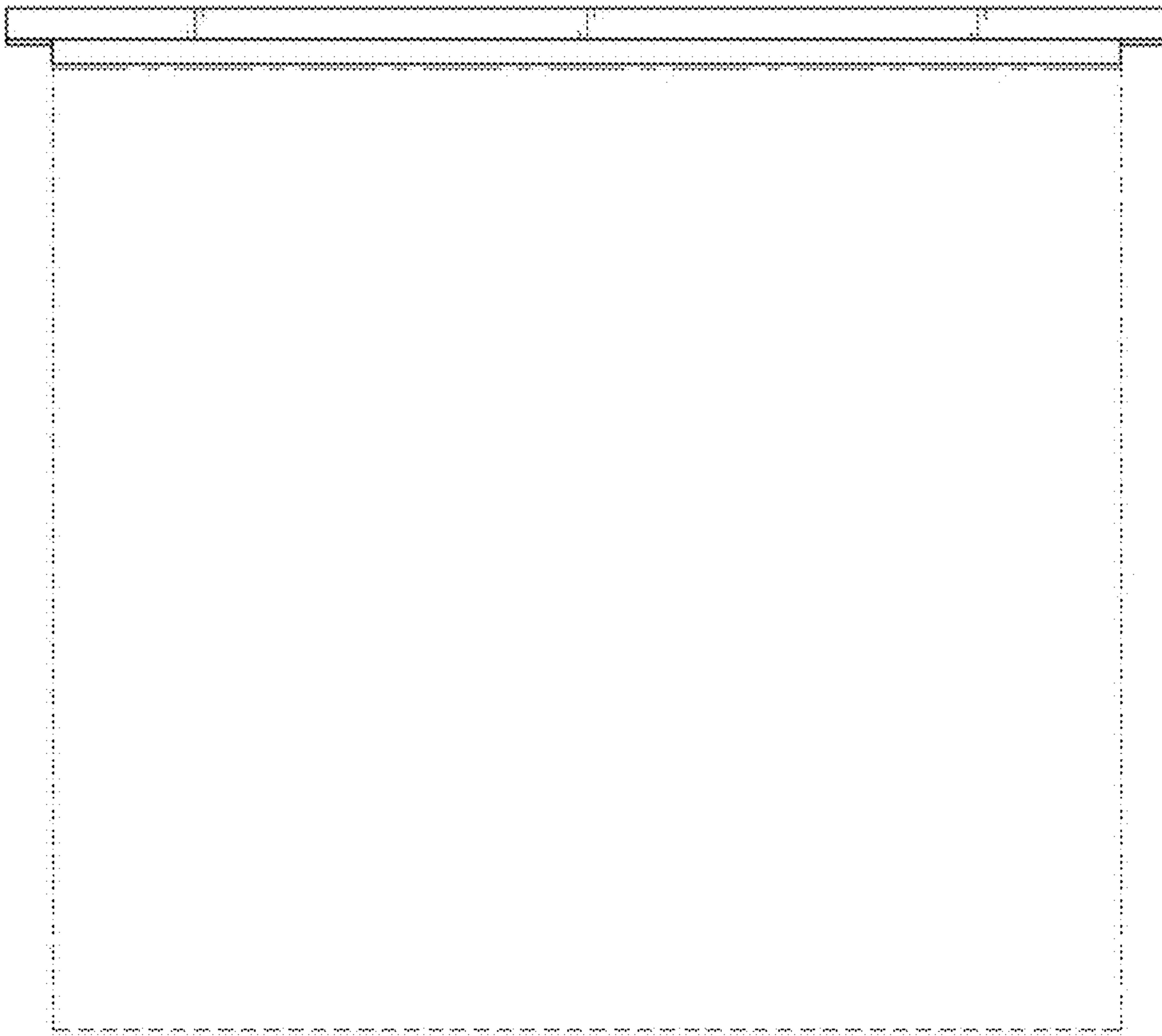
1.4



1.5



1.6



1.7

