

US00D869231S

(12) **United States Design Patent** (10) **Patent No.:** **US D869,231 S**  
**Stropkay et al.** (45) **Date of Patent:** **\*\* Dec. 10, 2019**

(54) **BEVERAGE DISPENSER** 8,033,431 B2 \* 10/2011 Sommerfield ..... B67D 1/0412  
222/129  
(71) Applicant: **Coravin, Inc.**, Burlington, MA (US) D660,072 S \* 5/2012 Makhanlall ..... D7/309  
D679,933 S \* 4/2013 Bruno ..... D7/306  
(72) Inventors: **Scott Stropkay**, Carlisle, MA (US); 9,010,588 B2 \* 4/2015 Lambrecht ..... B67D 1/0412  
222/399  
**Mark Matthews**, Scituate, MA (US); D731,223 S \* 6/2015 Hatherell ..... D7/306  
**Rory McGarry**, Hingham, MA (US); D792,729 S \* 7/2017 Adewuyi ..... D7/306  
**Otto DeRuntz**, Dunstable, MA (US); D794,401 S \* 8/2017 Chen ..... D7/300  
**Michael Rider**, Lowell, MA (US) D795,026 S \* 8/2017 Fouquet ..... D7/665  
D799,879 S \* 10/2017 Shmueli ..... D7/306  
(73) Assignee: **Coravin, Inc.**, Bedford, MA (US) (Continued)

(\*\*) Term: **15 Years**

(21) Appl. No.: **29/662,070**

(22) Filed: **Aug. 31, 2018**

(51) **LOC (12) Cl.** ..... **07-01**

(52) **U.S. Cl.**  
USPC ..... **D7/397; D7/665; D7/300; D7/312;**  
**D7/306**

(58) **Field of Classification Search**  
USPC .... **D7/665, 300, 306, 312, 313, 397; D8/42;**  
**222/400.7**  
CPC ... **B65D 83/00; B67D 1/04; D67B 7/00; A47J**  
**31/36**  
See application file for complete search history.

(56) **References Cited**

**U.S. PATENT DOCUMENTS**

D268,245 S *	3/1983	Makino .....	81/3.2
D276,788 S *	12/1984	Ravreby .....	D8/42
D404,604 S *	1/1999	Pochopien .....	D7/309
D442,010 S *	5/2001	Collin .....	D7/300
D464,241 S *	10/2002	Sun .....	D8/39
D471,778 S *	3/2003	Federighi .....	D8/42
D477,757 S *	7/2003	Yu .....	D8/42
D600,493 S *	9/2009	Pino .....	D7/306
D610,388 S *	2/2010	Hazan .....	D7/306
7,717,027 B2 *	5/2010	Sato .....	A47J 31/36 99/284

**OTHER PUBLICATIONS**

U.S. Appl. No. 29/662,073, filed Aug. 31, 2018.  
U.S. Appl. No. 29/664,341, filed Sep. 24, 2018.  
U.S. Appl. No. 29/664,346, filed Sep. 24, 2018.

*Primary Examiner* — Marianne N Pandozzi

(74) *Attorney, Agent, or Firm* — Wolf, Greenfield & Sacks, P.C.

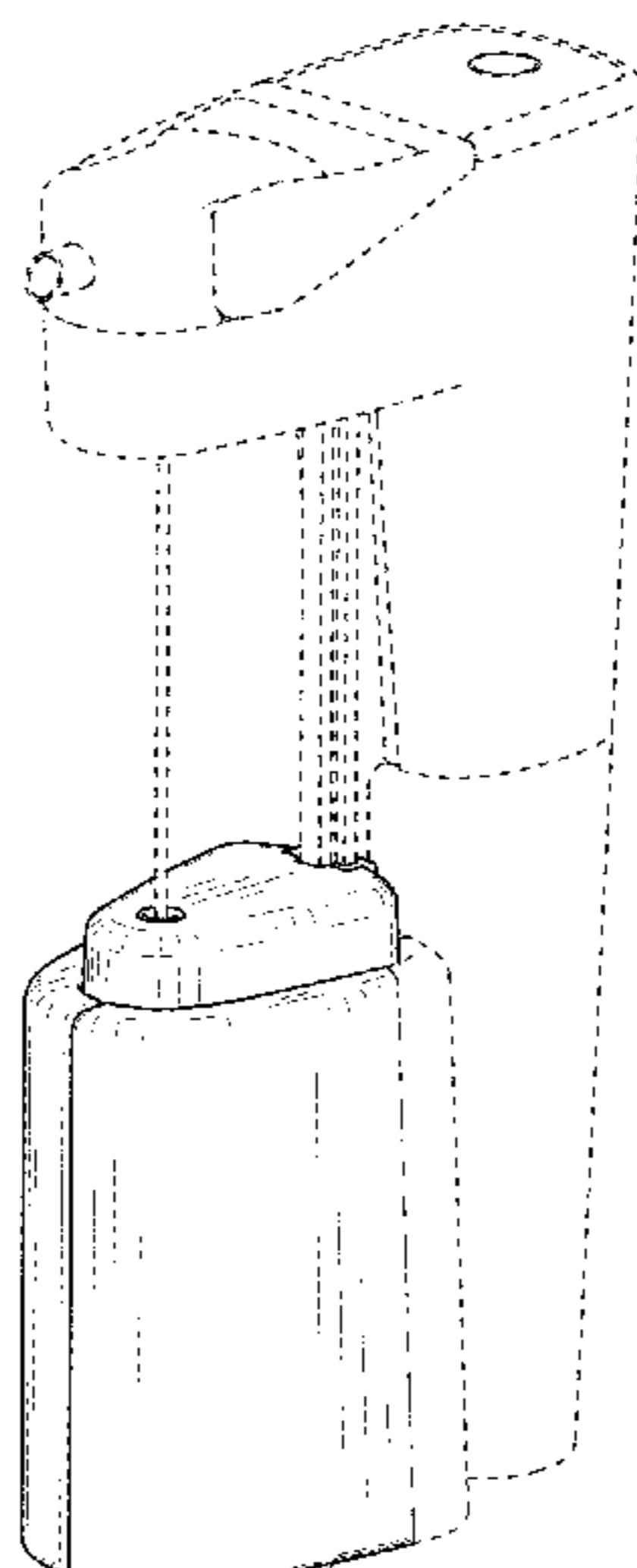
(57) **CLAIM**

The ornamental design for a beverage dispenser, as shown and described.

**DESCRIPTION**

FIG. 1 is a top, front, right side perspective view of a beverage dispenser showing our new design;  
FIG. 2 is a front elevation view thereof;  
FIG. 3 is a right side elevation view thereof;  
FIG. 4 is a top plan view thereof;  
FIG. 5 is a rear elevation view thereof;  
FIG. 6 is a left side elevation view thereof;  
FIG. 7 is a bottom plan view thereof; and,  
FIG. 8 is a top, rear, left side perspective view thereof.  
The dash-dash broken lines represent portions of the beverage dispenser that form no part of the claimed design. The short dash-long dash broken lines define boundaries of the claimed design and form no part of the claimed design.

**1 Claim, 3 Drawing Sheets**



(56)

**References Cited**

U.S. PATENT DOCUMENTS

D801,129 S \* 10/2017 Metaxatos ..... D7/665  
D802,976 S \* 11/2017 Buchik ..... D7/313  
D816,383 S \* 5/2018 Liang ..... D7/310  
D849,463 S \* 5/2019 Rider et al. .... D7/306  
D851,438 S \* 6/2019 Rider ..... D7/306  
2014/0183227 A1\* 7/2014 Barnini ..... B67D 1/0412  
222/152  
2017/0312706 A1\* 11/2017 Song ..... A47J 31/46  
2018/0177329 A1\* 6/2018 Segiet ..... A47J 31/4403

\* cited by examiner

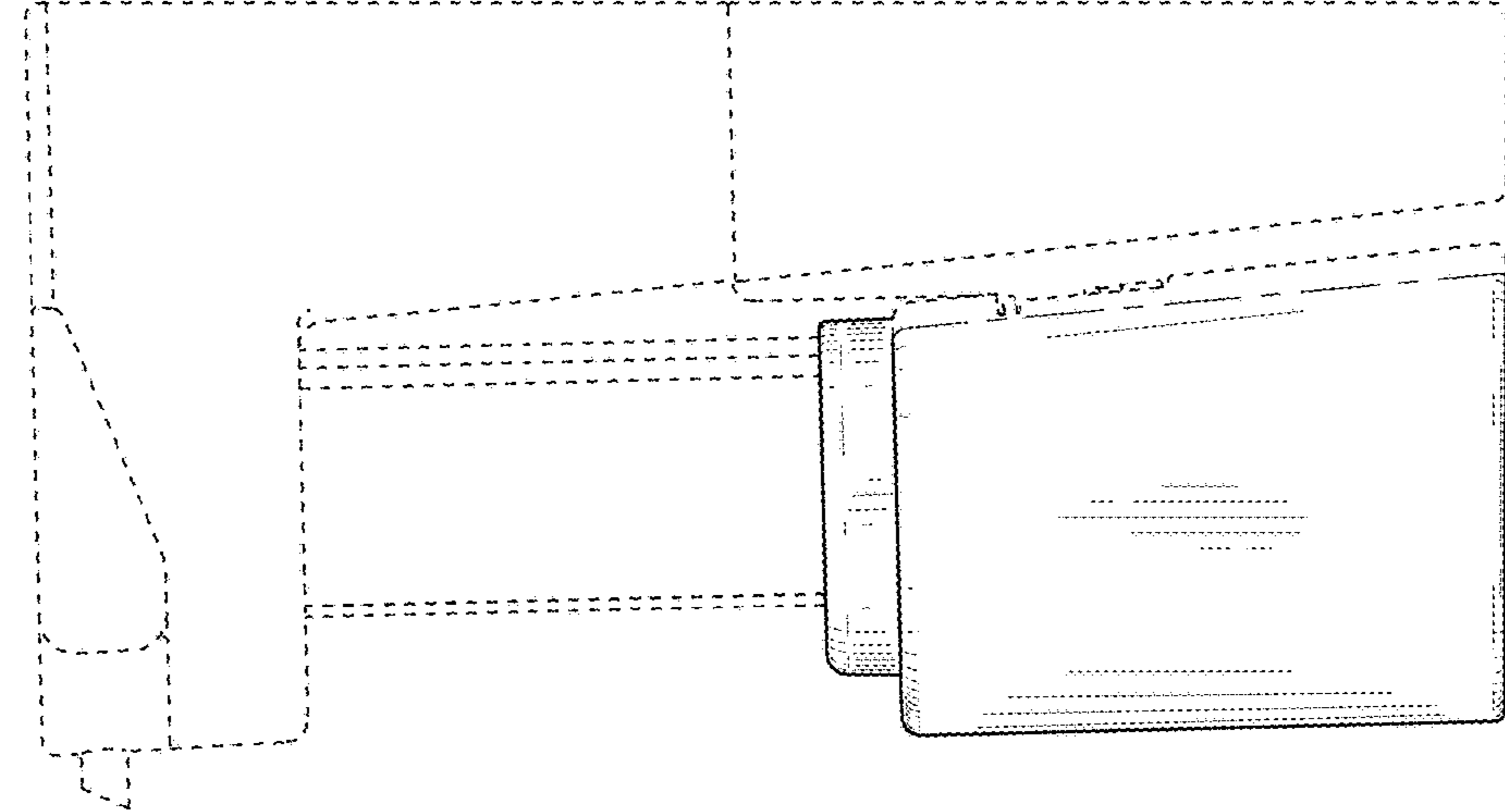


FIG. 1

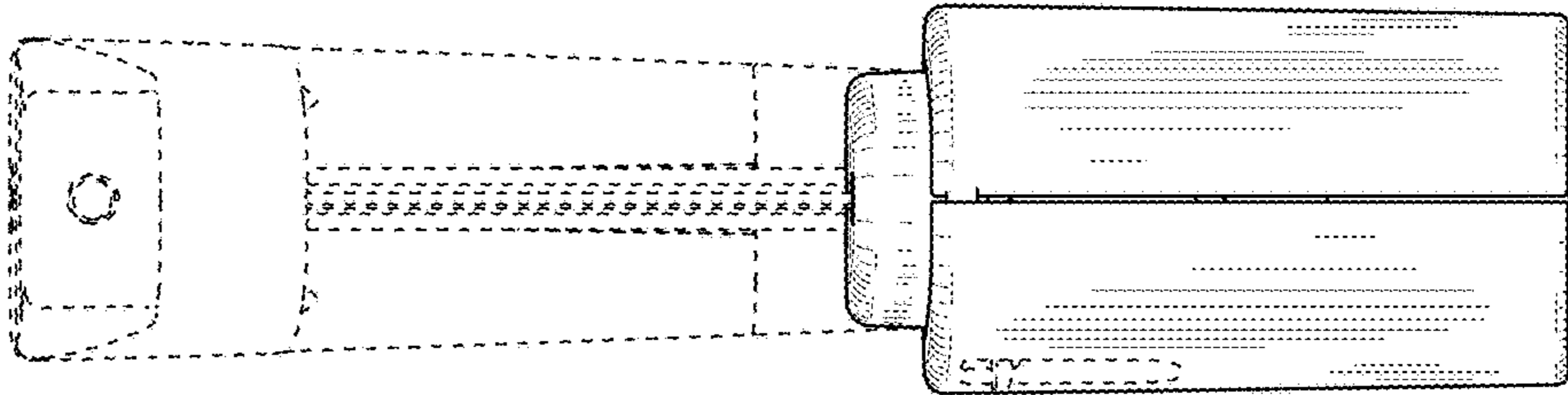


FIG. 2

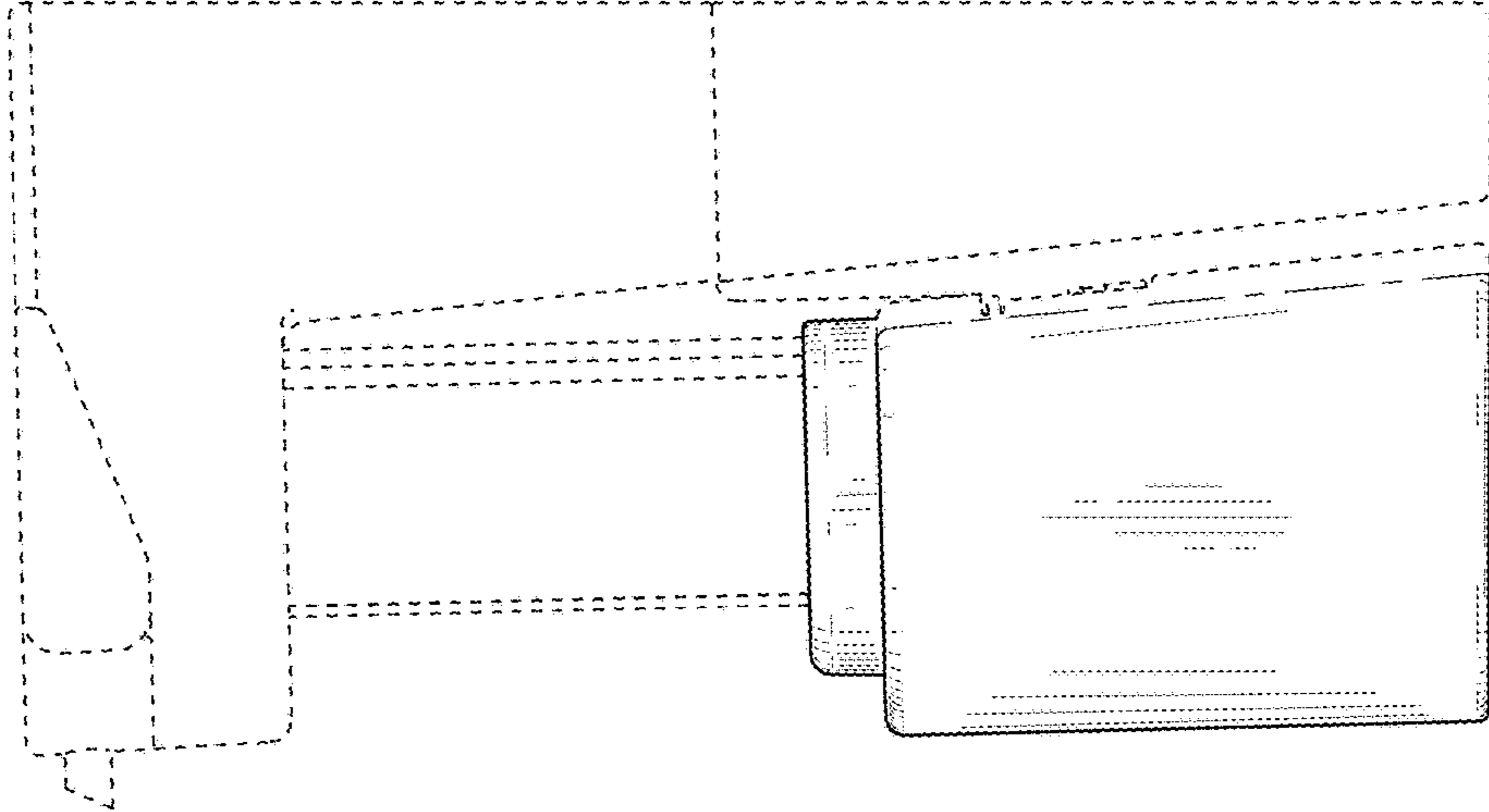


FIG. 3

FIG. 4

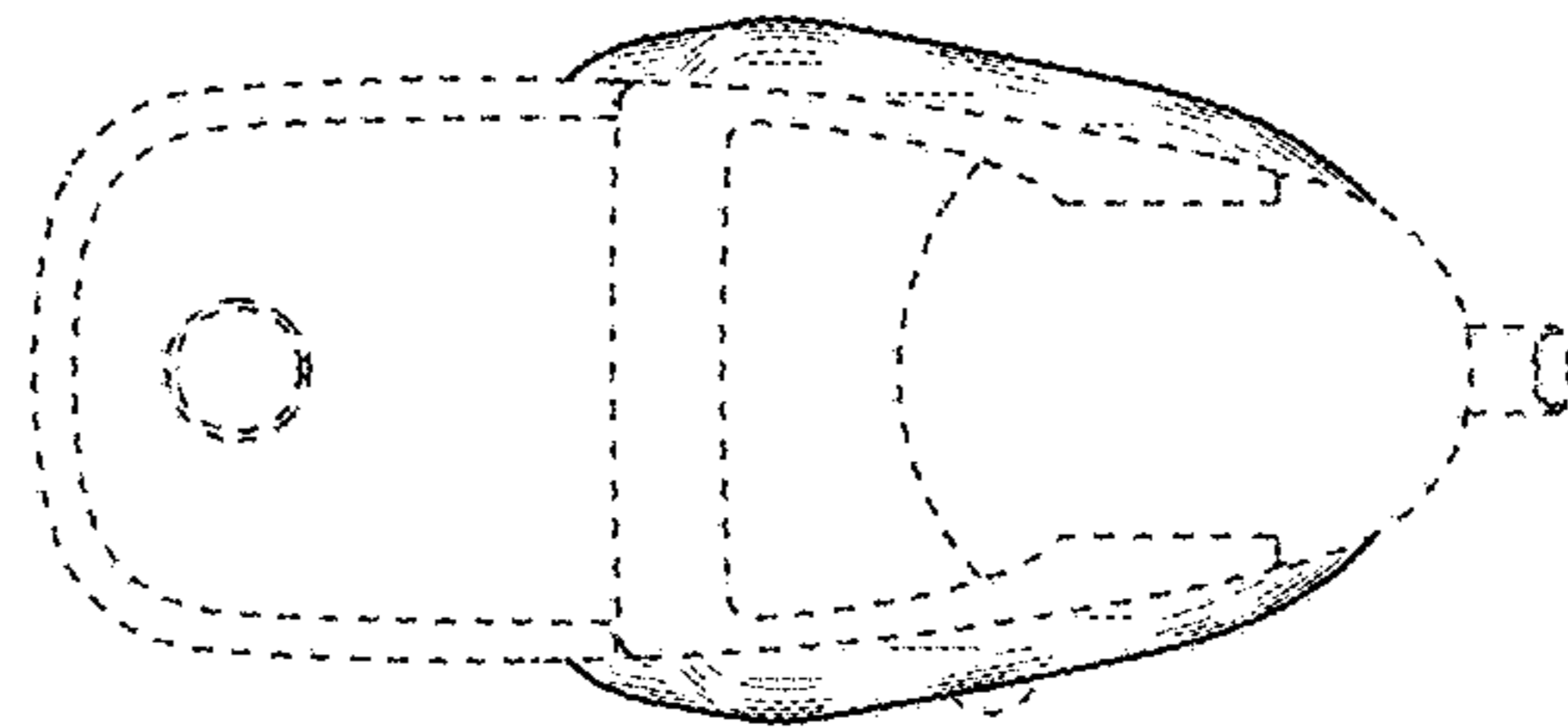


FIG. 6

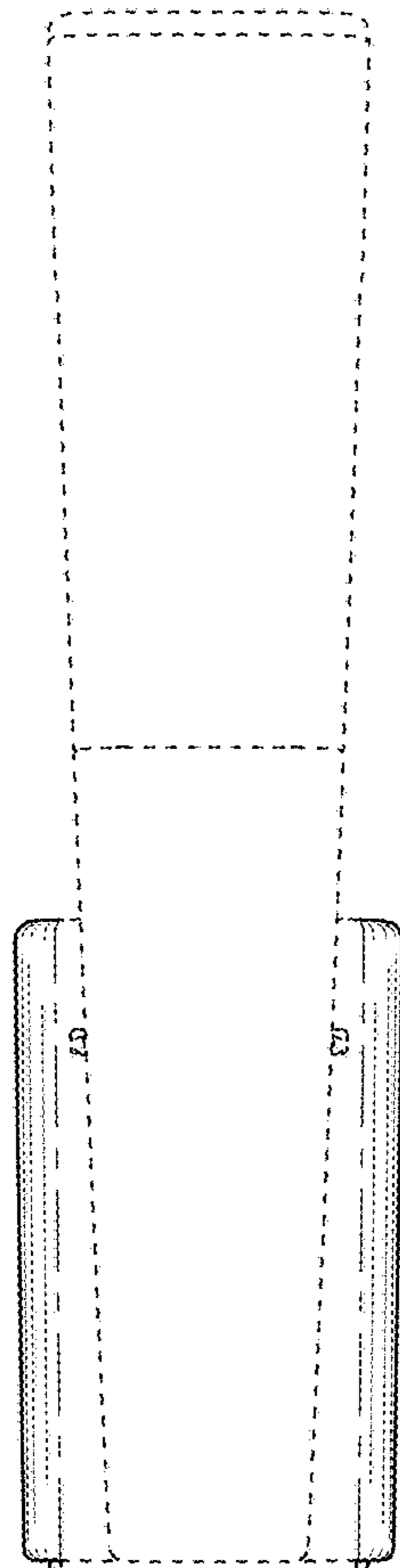
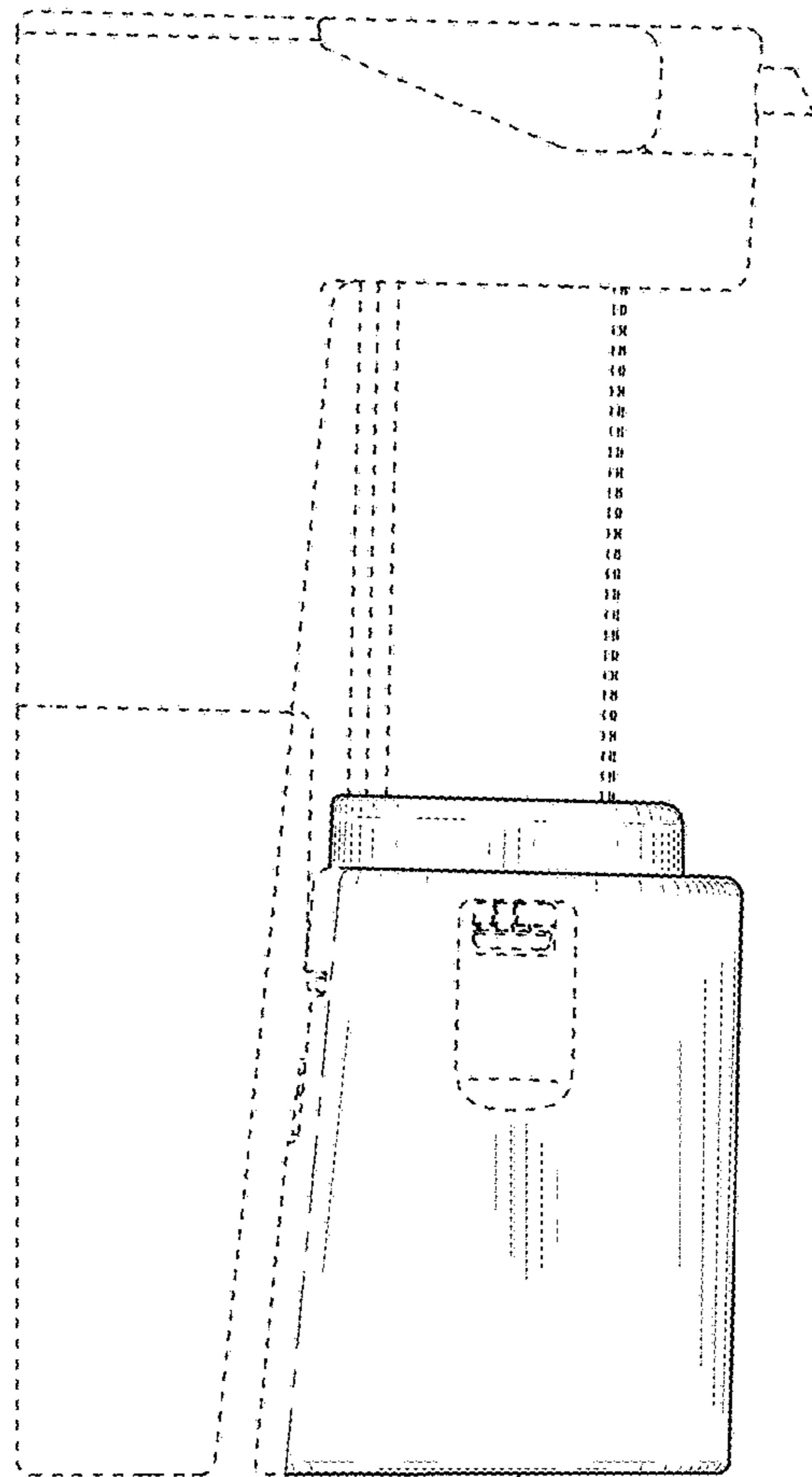
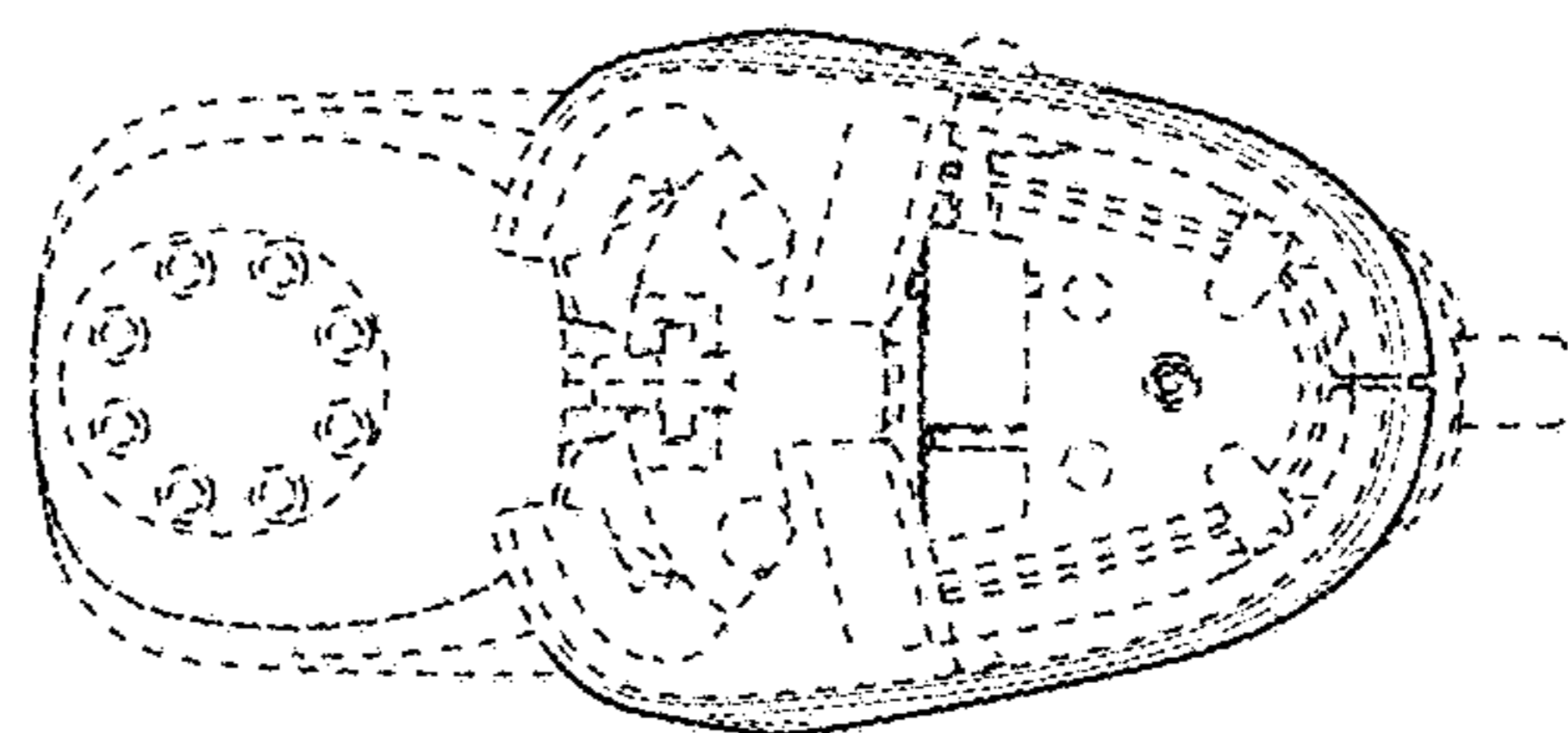


FIG. 5

FIG. 7



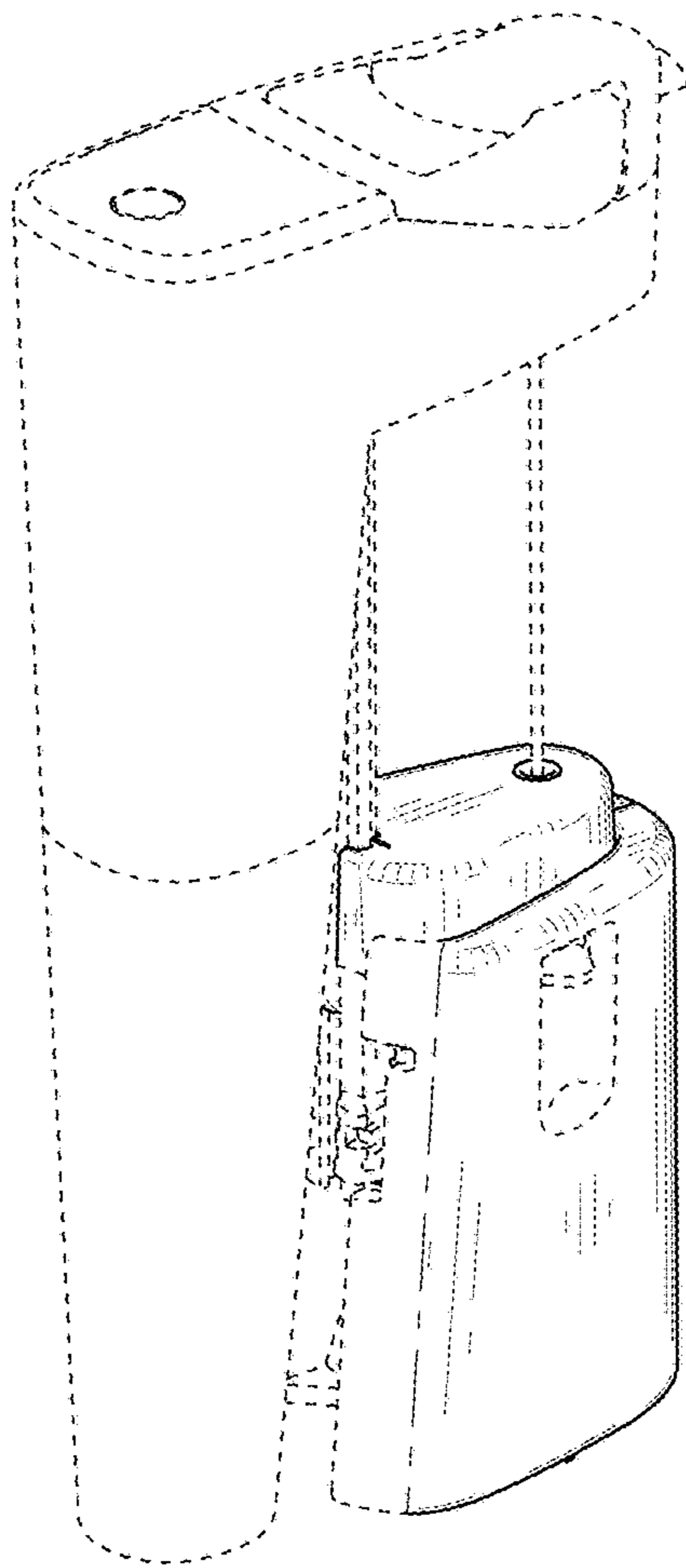


FIG. 8