



US00D869230S

(12) **United States Design Patent** (10) **Patent No.:** **US D869,230 S**
Hao (45) **Date of Patent:** **** Dec. 10, 2019**

(54) **BOTTLE CAP**

(71) Applicant: **Shenzhen Mlife Household Products Co., Ltd., Shenzhen (CN)**

(72) Inventor: **Junjie Hao, Shenzhen (CN)**

(**) Term: **15 Years**

(21) Appl. No.: **29/649,137**

(22) Filed: **May 25, 2018**

(51) **LOC (12) Cl.** **07-99**

(52) **U.S. Cl.**

USPC **D7/392.1; D9/449; D9/452**

(58) **Field of Classification Search**

USPC D9/414, 416, 425, 434, 435, 436, 438, D9/439, 440, 442, 443, 446-450, D9/452-457, 499, 503-505, 682, 685, D9/686; D7/387, 391, 392, 392.1, 393, D7/394, 396.1-396.4, 401.1, 503-505, D7/509-511, 538, 900; D3/201, 202, D3/203.2, 318; D28/91, 91.1
CPC .. A61J 1/00; A61J 1/1412; B65D 1/00; B65D 1/02; B65D 1/10; B65D 1/46; B65D 2585/56; B65D 2585/545; B65D 41/00; B65D 41/38; B65D 41/56; B65D 41/62; B65D 47/00; B65D 47/06; B65D 47/08; B65D 2543/00046; B65D 2543/00092; B65D 2543/00296; B65D 5/46; B65D 2251/00

See application file for complete search history.

(56) **References Cited**

U.S. PATENT DOCUMENTS

D451,023 S * 11/2001 Kitamura D9/449
D451,392 S * 12/2001 Kitamura D9/447
D528,862 S * 9/2006 Li D7/510
D529,339 S * 10/2006 Carreno D7/511
D533,061 S * 12/2006 Li D9/443
D538,110 S * 3/2007 Kitamura D7/608

D579,772 S * 11/2008 Williams D9/446
D589,743 S * 4/2009 Pearson D7/392
D608,640 S * 1/2010 Carreno D9/449
D609,964 S * 2/2010 Lane D7/392.1
D655,580 S * 3/2012 Kotani D7/608
D661,945 S * 6/2012 Eyal D7/392.1
D668,503 S * 10/2012 Kotani D7/392.1
D675,060 S * 1/2013 Lane D7/392.1
D686,871 S * 7/2013 Lane D7/392.1
D725,966 S * 4/2015 Boroski D7/511
D739,183 S * 9/2015 Lane D7/605

(Continued)

FOREIGN PATENT DOCUMENTS

CN 304750851 * 7/2018
CN 304750881 * 7/2018
EM 004731008-0004 * 3/2018

Primary Examiner — Michael A. Pratt

Assistant Examiner — Wendy L Arminio

(74) *Attorney, Agent, or Firm* — Erson IP (Nelson IP)

(57) **CLAIM**

The ornamental design for a bottle cap, as shown and described.

DESCRIPTION

FIG. 1 is a perspective view of a bottle cap shown in a closed configuration;

FIG. 2 is another perspective view showing my design;

FIG. 3 is a front view showing my design;

FIG. 4 is a back view showing my design;

FIG. 5 is a left side view showing my design;

FIG. 6 is a right side view showing my design;

FIG. 7 is a top plan view showing my design;

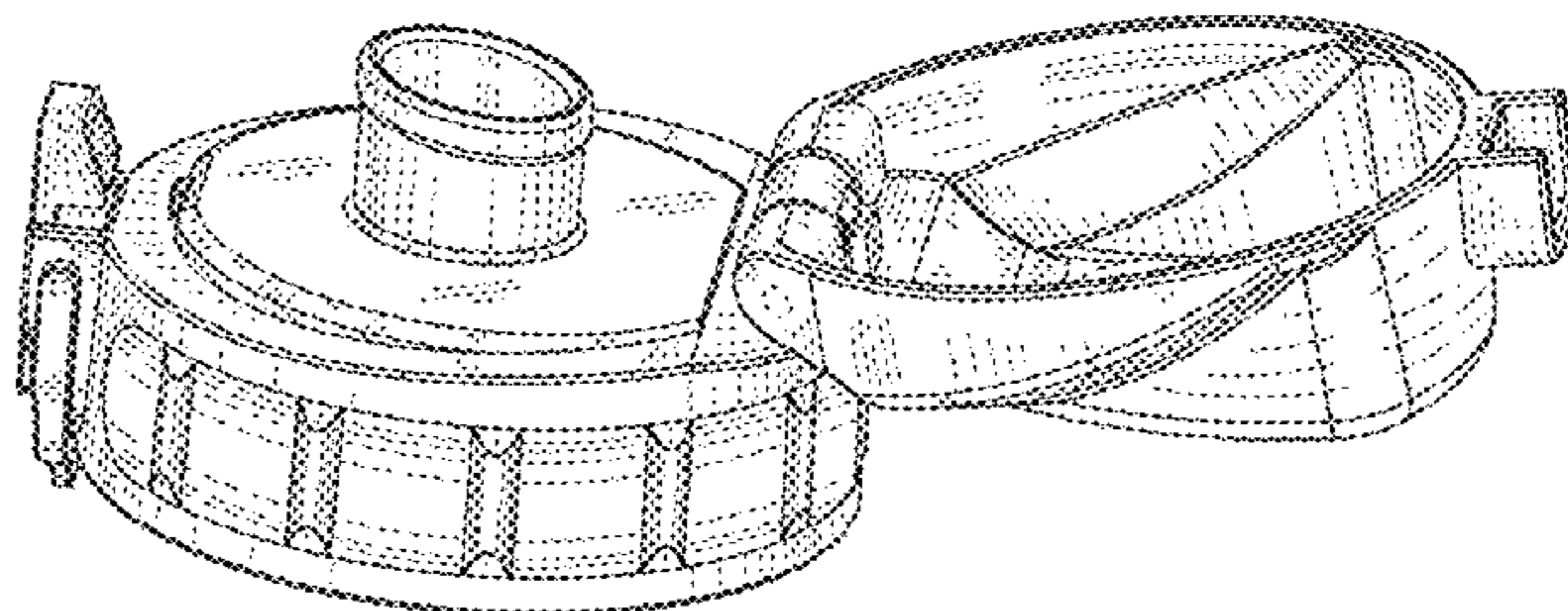
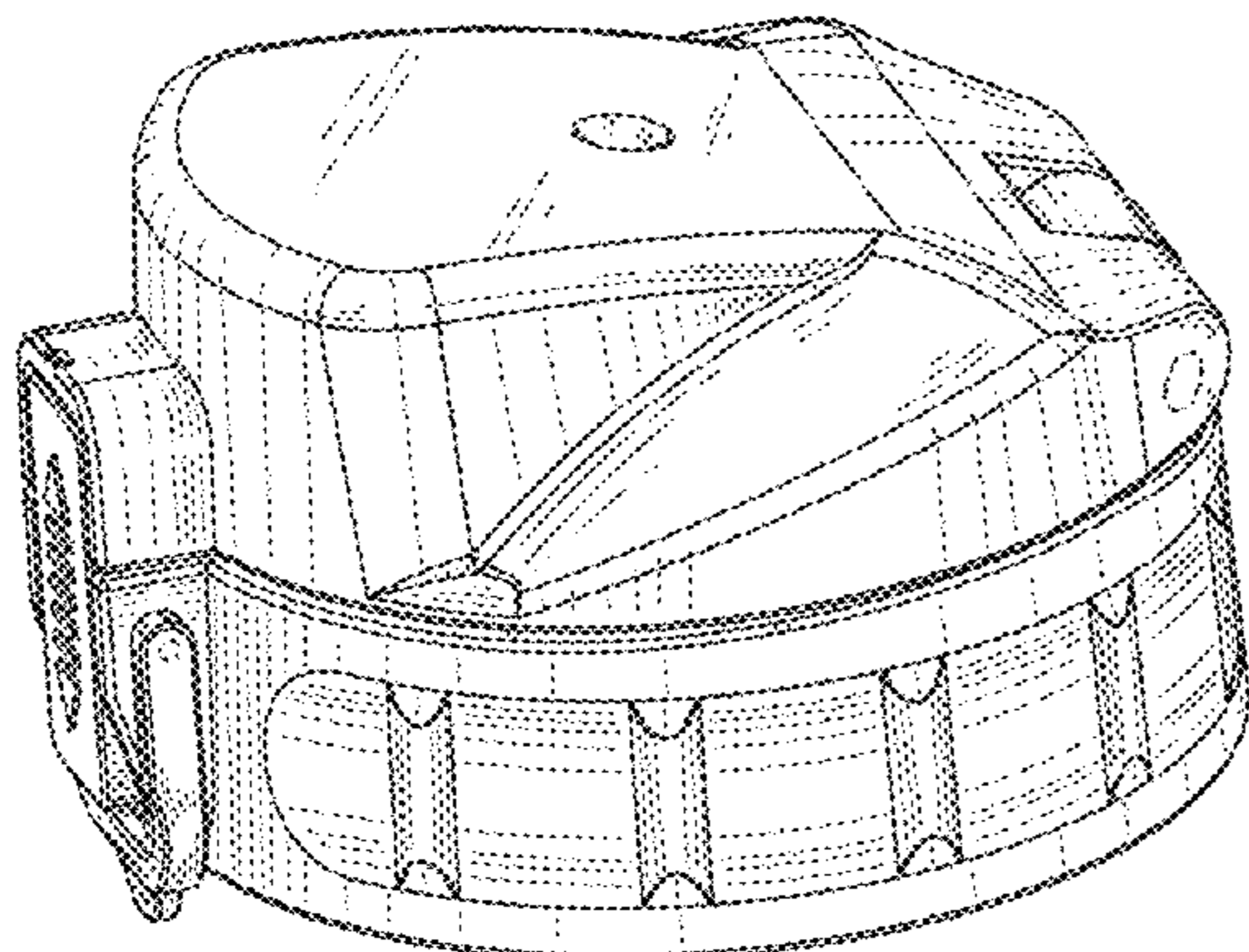
FIG. 8 is a bottom plan view showing my design;

FIG. 9 is a perspective view of the bottle cap of FIG. 1 shown in an open configuration; and,

FIG. 10 is another perspective view thereof.

The broken lines in the drawings depict the portions of the bottle cap that form no part of the claimed design.

1 Claim, 6 Drawing Sheets



(56)

References Cited

U.S. PATENT DOCUMENTS

D744,290 S * 12/2015 Endo D7/608
D758,790 S * 6/2016 Boroski D7/392.1
D770,222 S * 11/2016 Boroski D7/392.1
D780,578 S * 3/2017 Lane D7/396.2
D794,453 S * 8/2017 Boroski D7/392.1
D795,011 S * 8/2017 Pisarevsky D7/507
D804,904 S * 12/2017 Noveletsky D7/510
D808,213 S * 1/2018 Lown D7/396.2
D819,395 S * 6/2018 Yu D7/391
D839,044 S * 1/2019 Potter D7/392
D842,645 S * 3/2019 Horimoto D7/391
2011/0089059 A1* 4/2011 Lane B65D 47/08
206/222
2012/0312832 A1* 12/2012 Lane B65D 47/066
220/833
2014/0339177 A1* 11/2014 Lane A45F 3/18
210/767

* cited by examiner

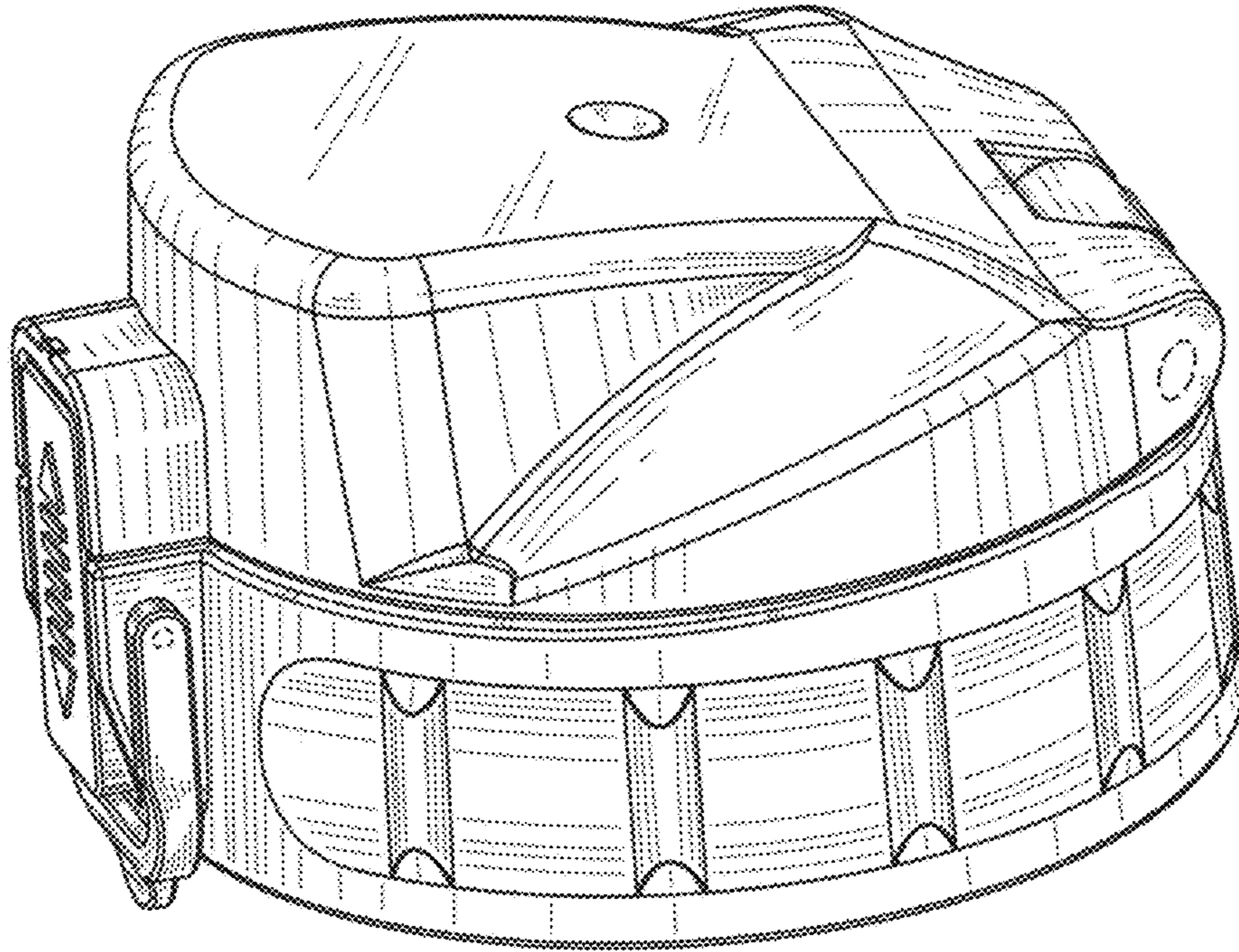


FIG. 1

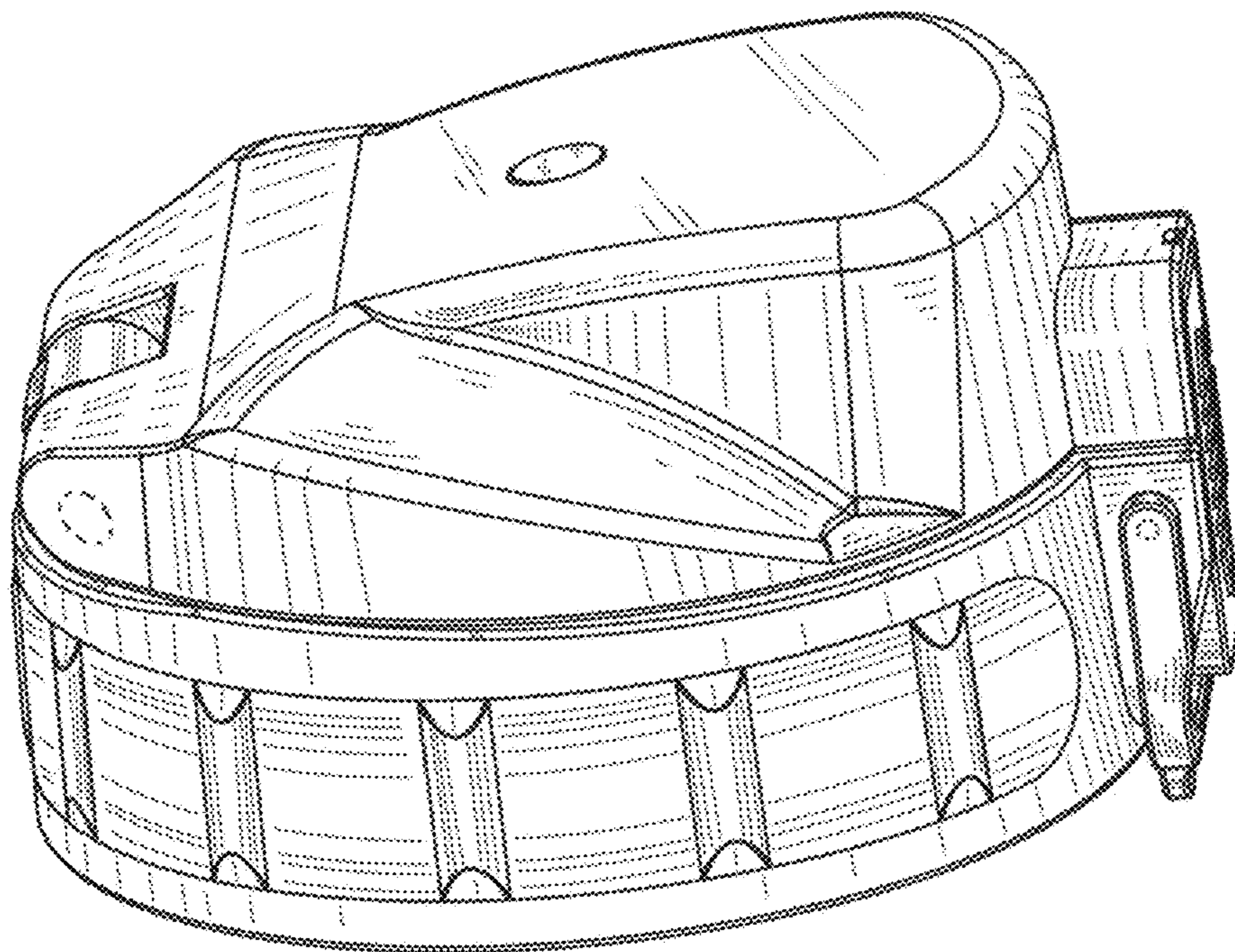


FIG. 2

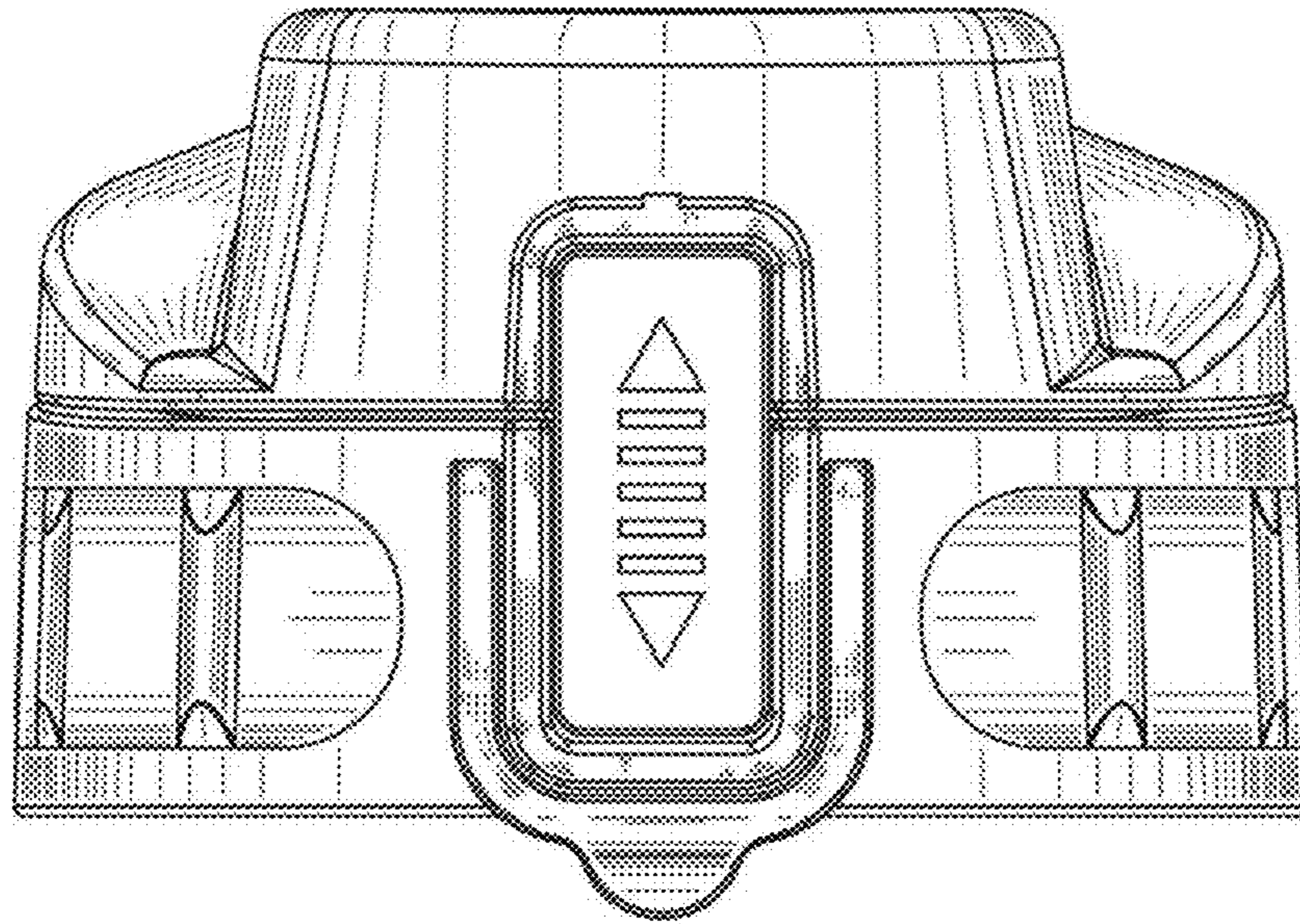


FIG. 3

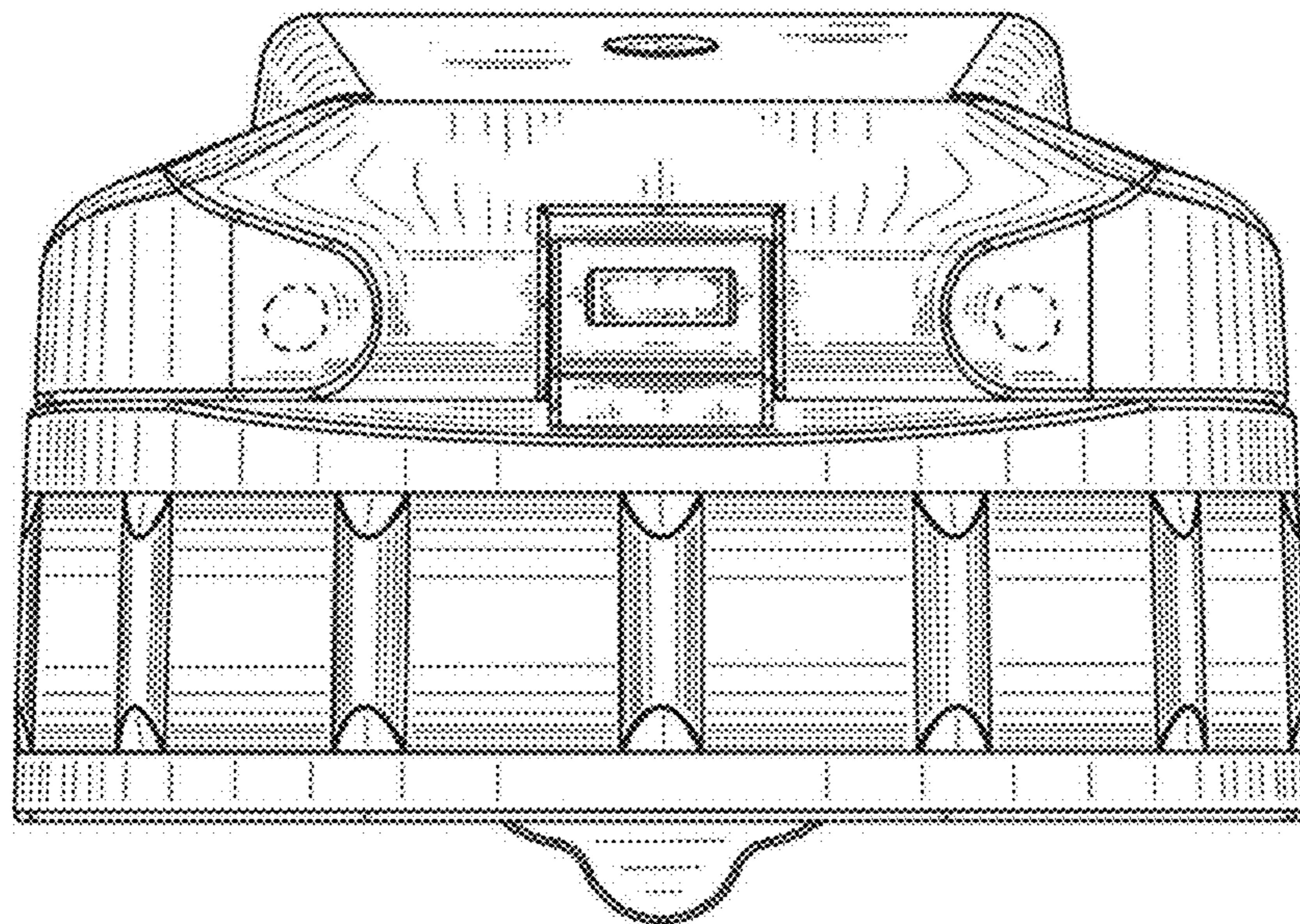


FIG. 4

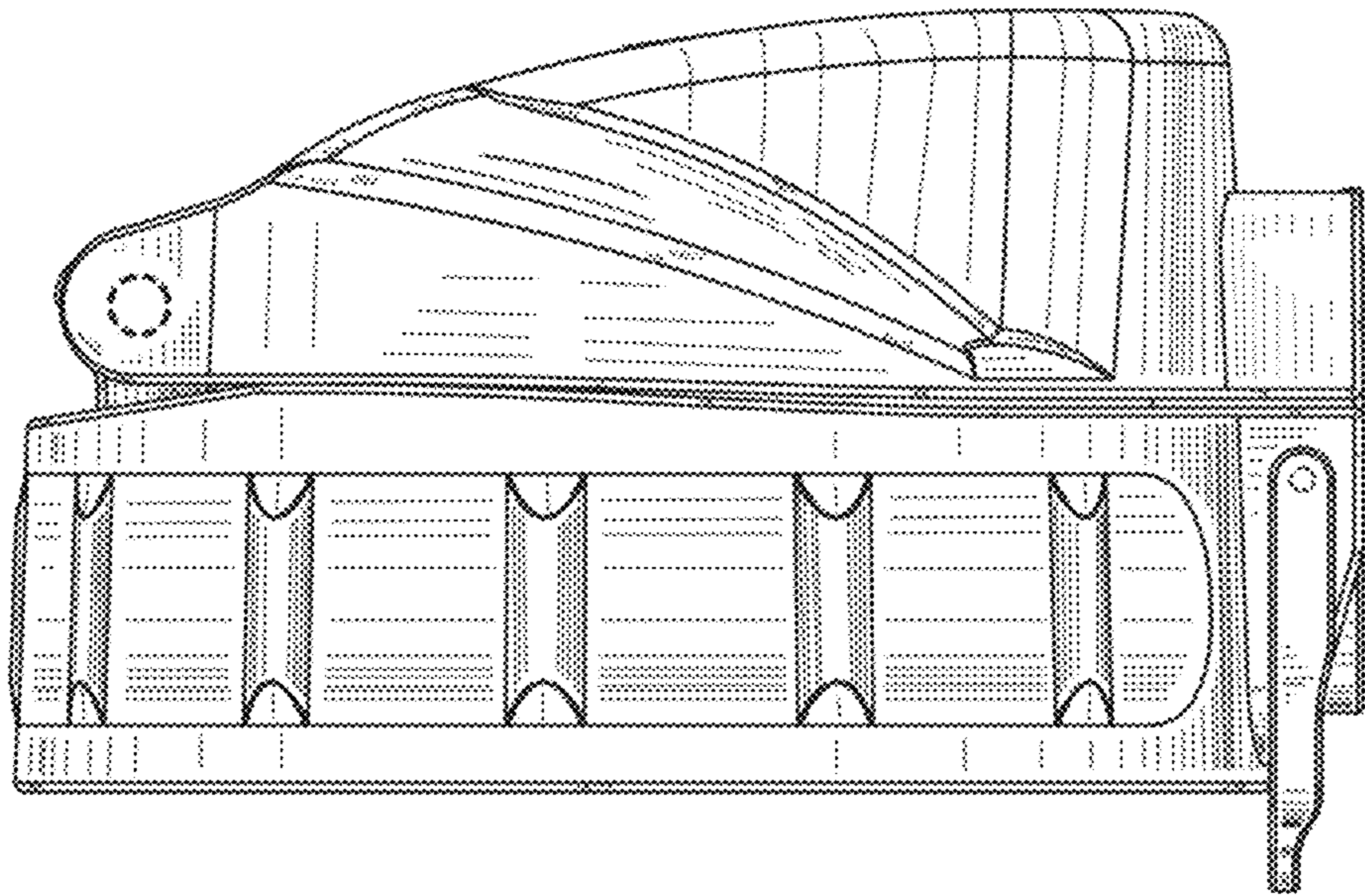


FIG. 5

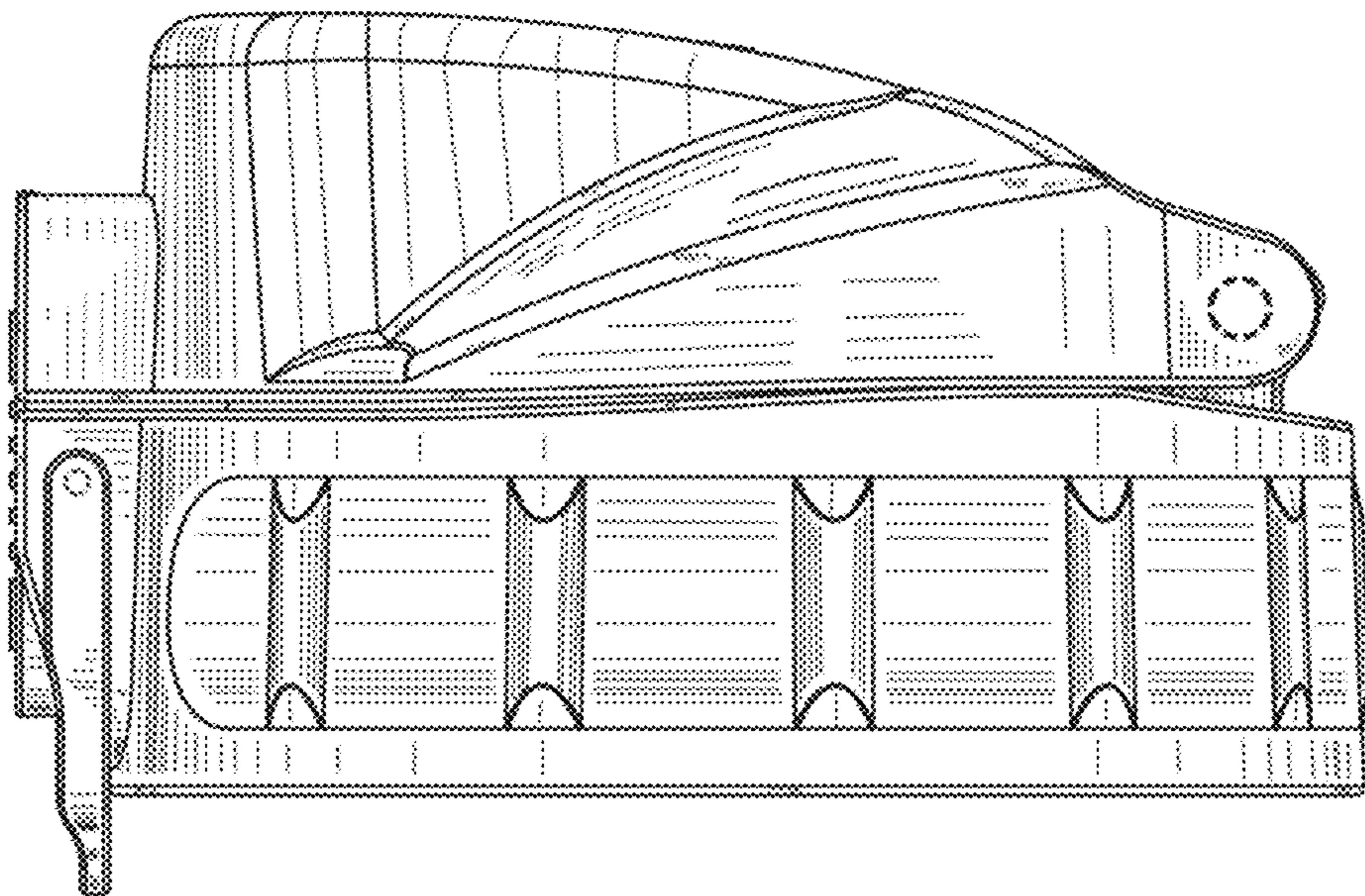


FIG. 6

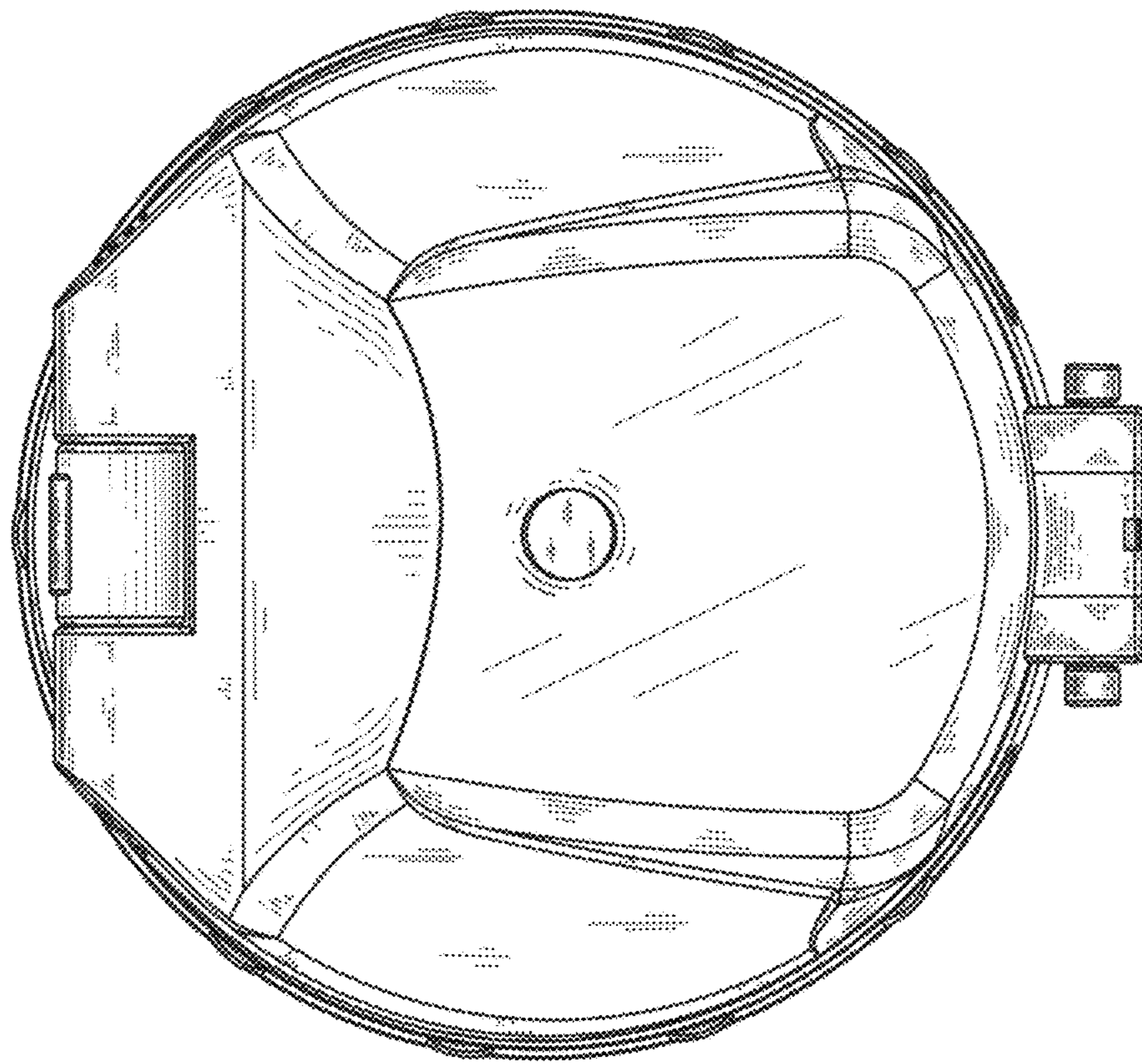


FIG. 7

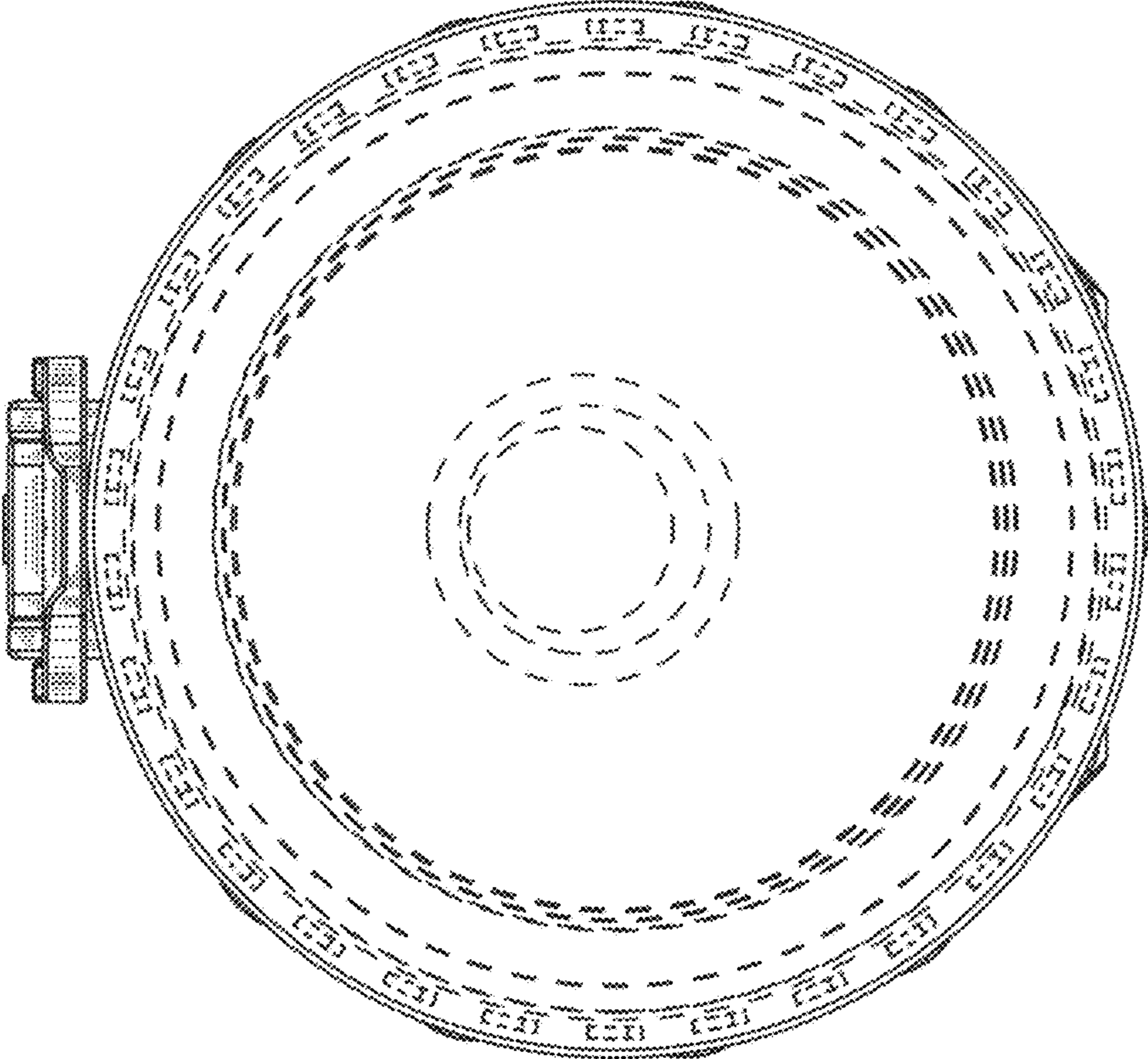


FIG. 8

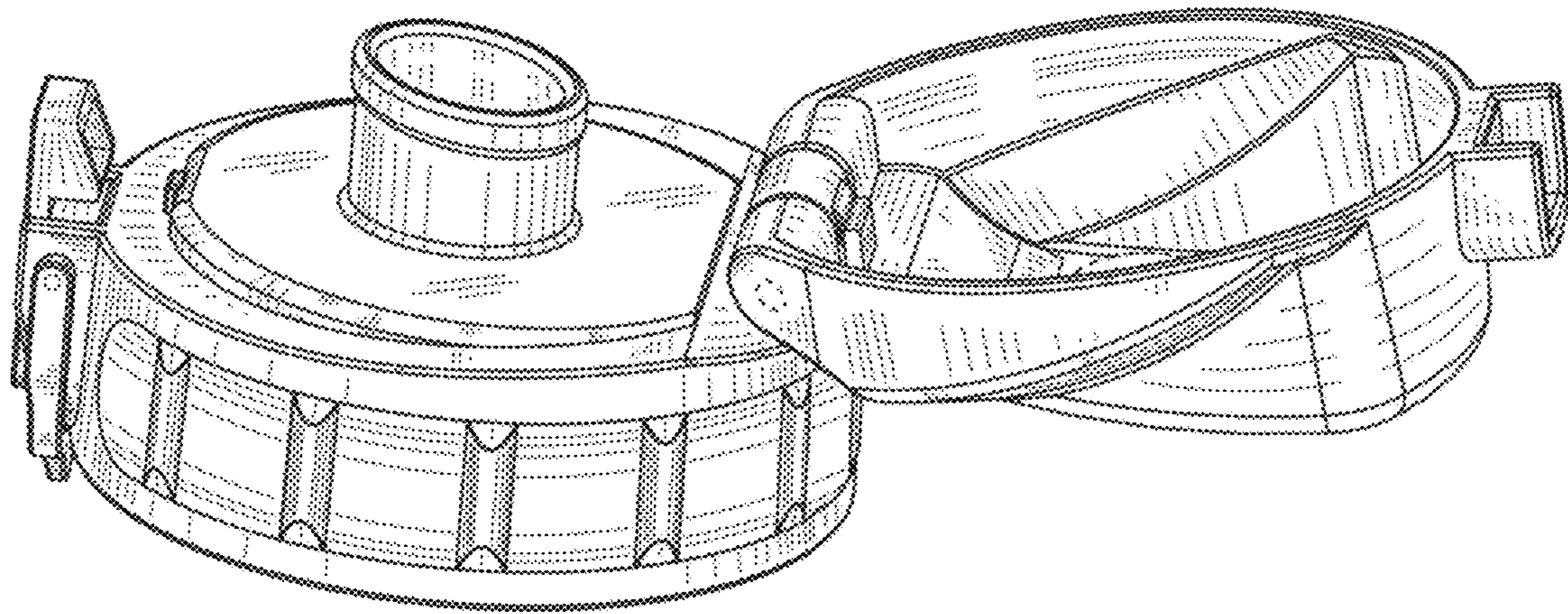


FIG. 9

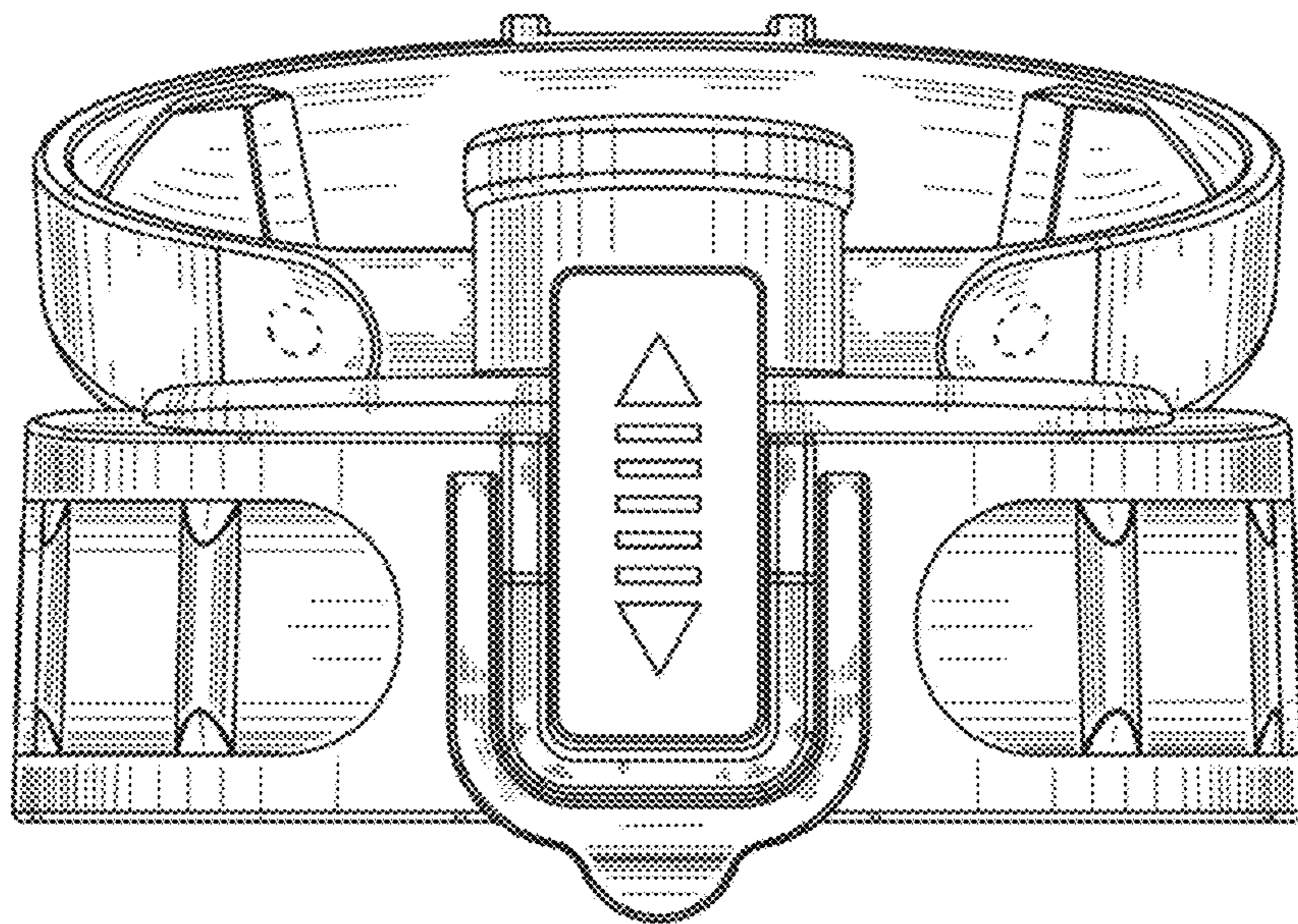


FIG. 10