



US00D869229S

(12) **United States Design Patent**
Hao

(10) **Patent No.:** **US D869,229 S**

(45) **Date of Patent:** **** Dec. 10, 2019**

(54) **BOTTLE CAP**

(71) Applicant: **Shenzhen Mlife Household Products Co., Ltd.**, Shenzhen (CN)

(72) Inventor: **Junjie Hao**, Shenzhen (CN)

(**) Term: **15 Years**

(21) Appl. No.: **29/649,134**

(22) Filed: **May 25, 2018**

(51) **LOC (12) Cl.** **07-99**

(52) **U.S. Cl.**
USPC **D7/392.1; D9/449; D9/452**

(58) **Field of Classification Search**
USPC D9/414, 416, 425, 434, 435, 436, 438, D9/439, 440, 442, 443, 446-450, D9/452-457, 499, 503-505, 682, 685, D9/686; D7/387, 391, 392, 392.1, 393, D7/394, 396.1-396.4, 401.1, 503-505, D7/509-511, 538, 900; D3/201, 202, D3/203.2, 318; D28/91, 91.1
CPC .. A61J 1/00; A61J 1/1412; B65D 1/00; B65D 1/02; B65D 1/10; B65D 1/46; B65D 2585/56; B65D 2585/545; B65D 41/00; B65D 41/38; B65D 41/56; B65D 41/62; B65D 47/00; B65D 47/06; B65D 47/08; B65D 2543/00046; B65D 2543/00092; B65D 2543/00296; B65D 5/46; B65D 2251/00

See application file for complete search history.

(56) **References Cited**

U.S. PATENT DOCUMENTS

D334,341 S *	3/1993	Brown	D7/312
D543,776 S *	6/2007	Yelland	D7/392.1
D547,607 S *	7/2007	Forsman	D7/396.2
D568,740 S *	5/2008	Williams	D9/436
D584,102 S *	1/2009	Valderrama	D7/392.1
D605,942 S *	12/2009	Miksovsky	D9/446

D608,195 S *	1/2010	Germann	D9/443
D649,879 S *	12/2011	Gullickson	D9/443
D652,255 S *	1/2012	Carland	D7/510
D652,256 S *	1/2012	Eyal	D7/510
D680,805 S *	4/2013	Rosbach	D7/392.1
D685,606 S *	7/2013	Keys	D7/392.1
D688,093 S *	8/2013	Roth	D7/392.1
D700,014 S *	2/2014	Zeanah	D7/510
D704,986 S *	5/2014	Manies	D7/392.1
D767,328 S *	9/2016	Boroski	D7/392.1
D793,154 S *	8/2017	Sorensen	D7/392.1
D799,320 S *	10/2017	Goodwin	D7/392.1
D801,111 S *	10/2017	Eyal	D7/392.1
D801,173 S *	10/2017	Lown	D9/449
D801,174 S *	10/2017	Lown	D9/449
D804,903 S *	12/2017	Mason	D7/510
D807,110 S *	1/2018	Lown	D7/391
D808,213 S *	1/2018	Lown	D7/396.2

(Continued)

FOREIGN PATENT DOCUMENTS

CN	304465078	*	1/2018
CN	304943999	*	12/2018

Primary Examiner — Michael A. Pratt

Assistant Examiner — Wendy L Arminio

(74) *Attorney, Agent, or Firm* — Erson IP (Nelson IP)

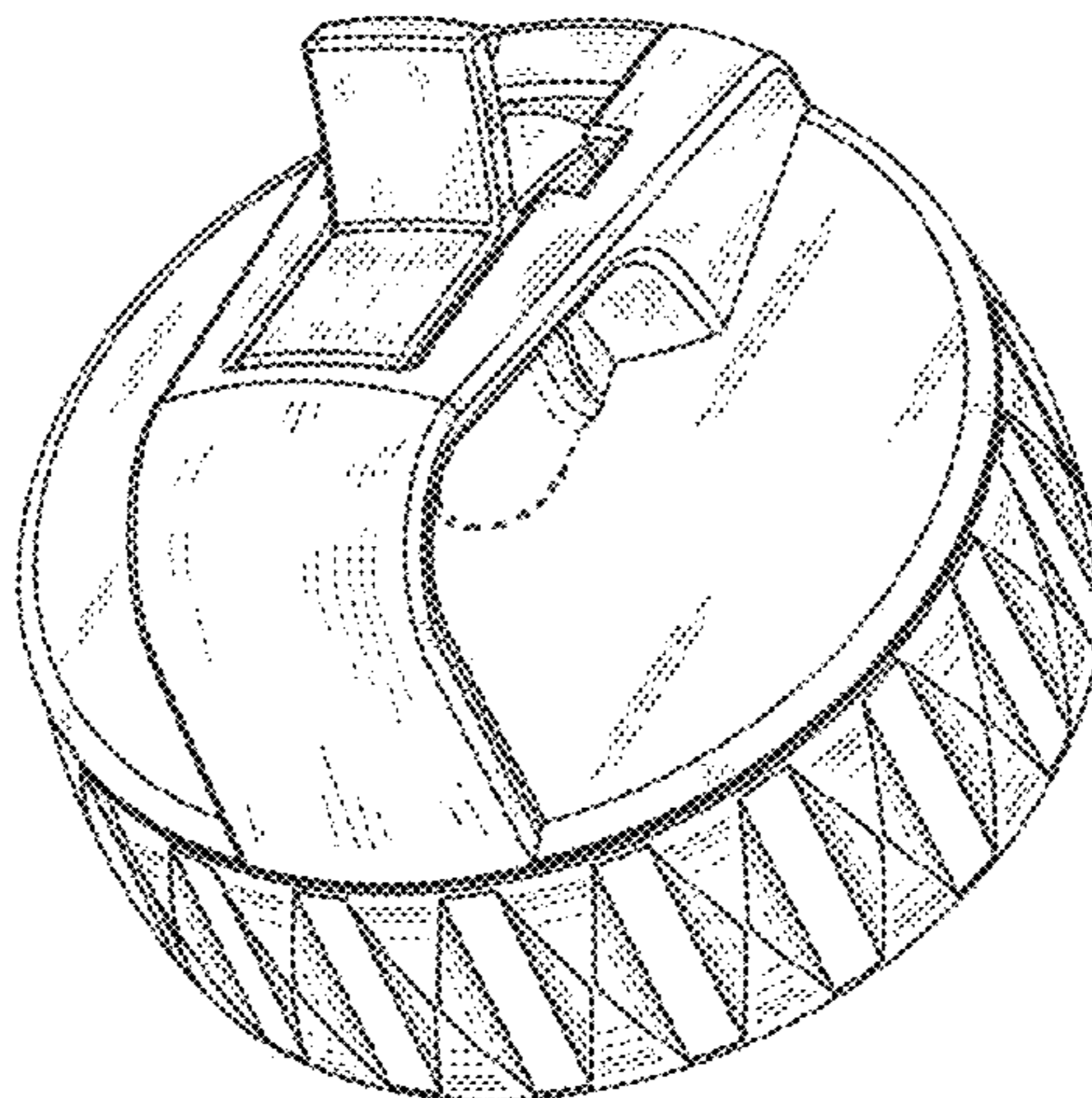
(57) **CLAIM**

The ornamental design for a bottle cap, as shown and described.

DESCRIPTION

FIG. 1 is a perspective view showing my design; FIG. 2 is a front view showing my design; FIG. 3 is a back view showing my design; FIG. 4 is a left side view showing my design; FIG. 5 is a right side view showing my design; and, FIG. 6 is a top plan view showing my design. The broken lines in the drawings depict the portions of the bottle cap that form no part of the claimed design.

1 Claim, 6 Drawing Sheets



(56)

References Cited

U.S. PATENT DOCUMENTS

D810,500 S * 2/2018 Maple D7/392.1
D813,594 S * 3/2018 Serruya D7/392.1
D814,855 S * 4/2018 Hammer D7/392.1
D818,317 S * 5/2018 Fu D7/510
D820,637 S * 6/2018 Davis D7/392.1
D830,772 S * 10/2018 Rosette D7/510
D835,938 S * 12/2018 Zou D7/392.1
2007/0039959 A1 * 2/2007 Choi A47G 19/2266
220/212.5
2010/0224631 A1 * 9/2010 Roth B65D 45/025
220/288
2018/0282030 A1 * 10/2018 Anderl B65D 25/28

* cited by examiner

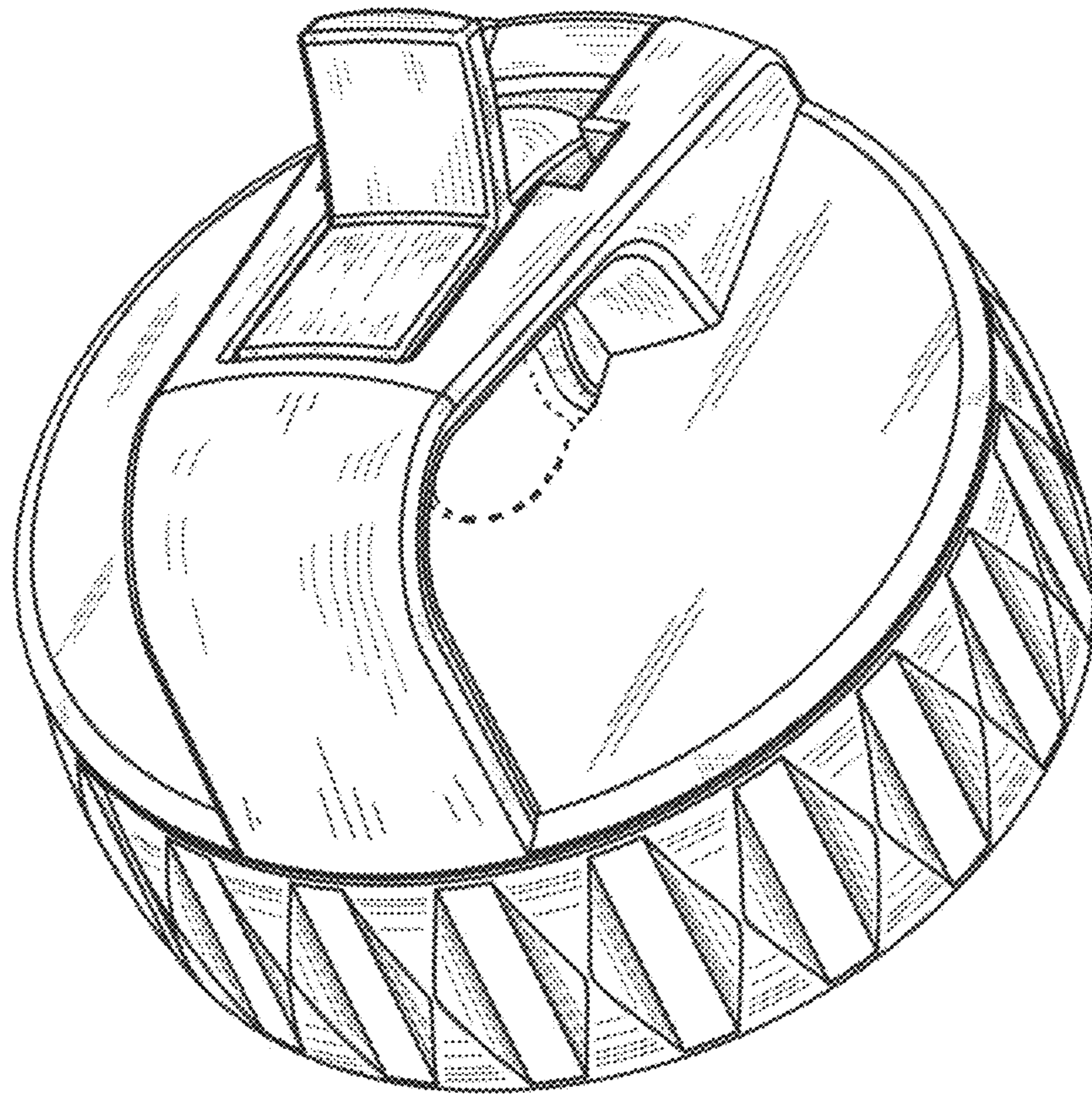


FIG. 1

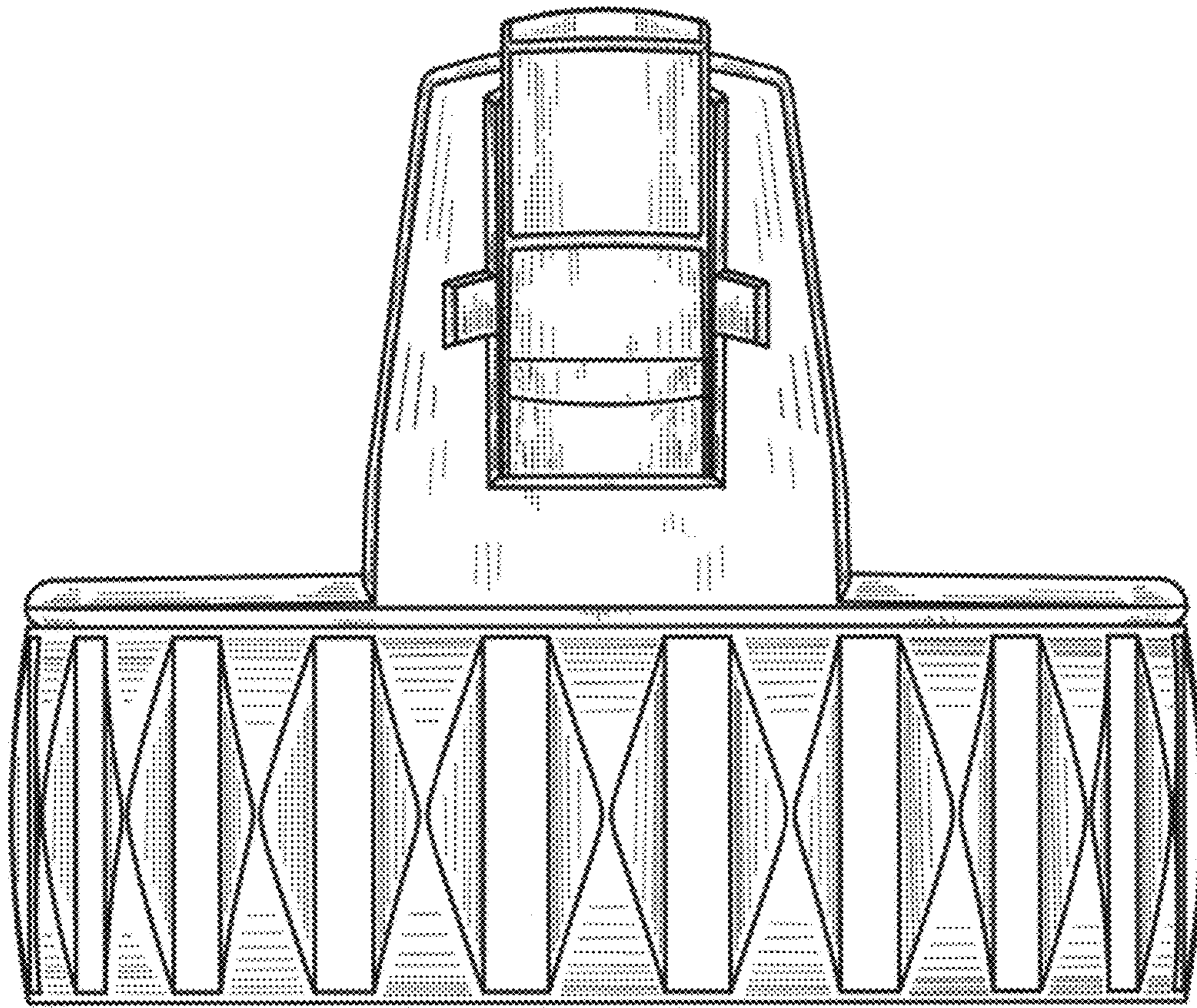


FIG. 2

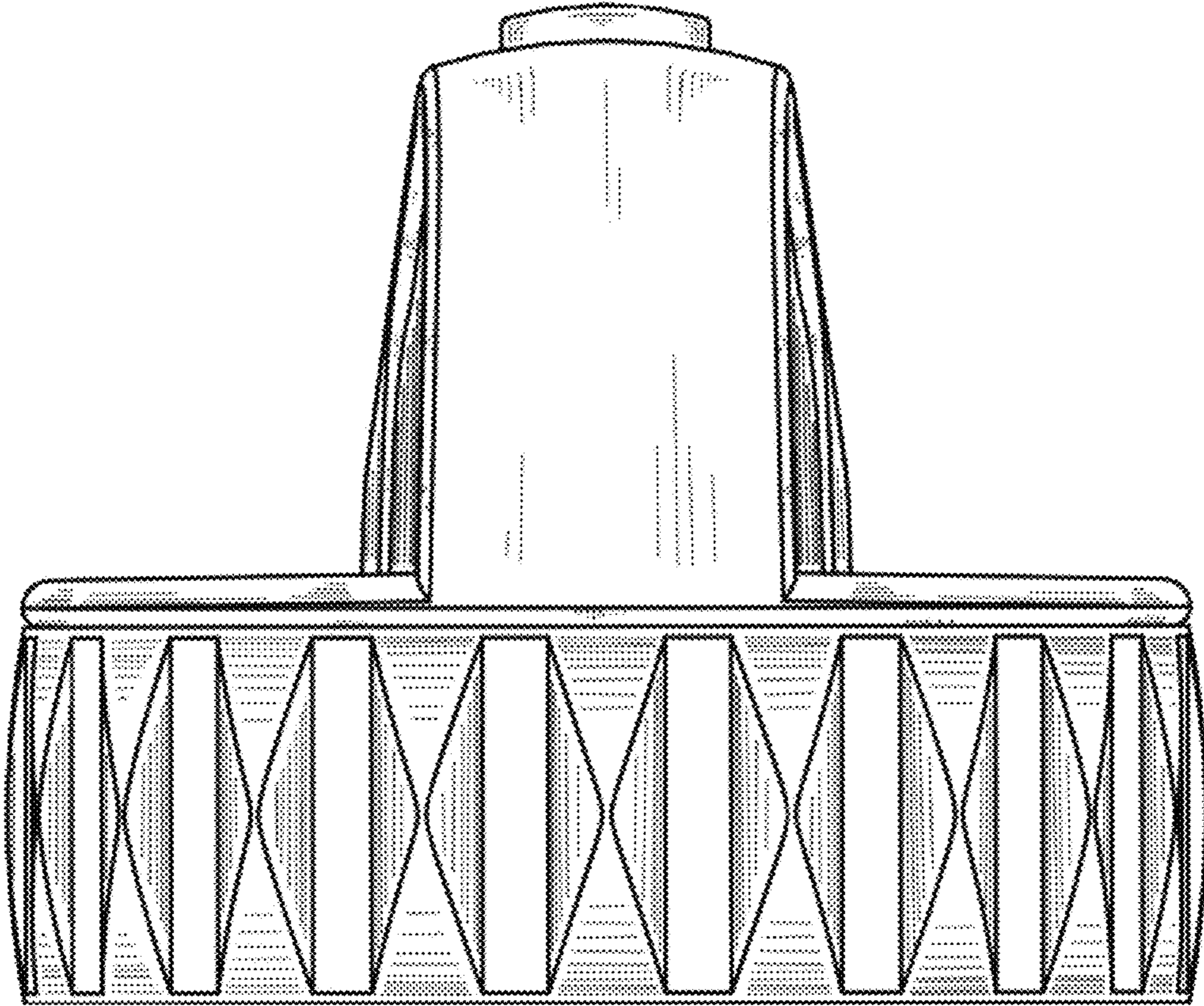


FIG. 3

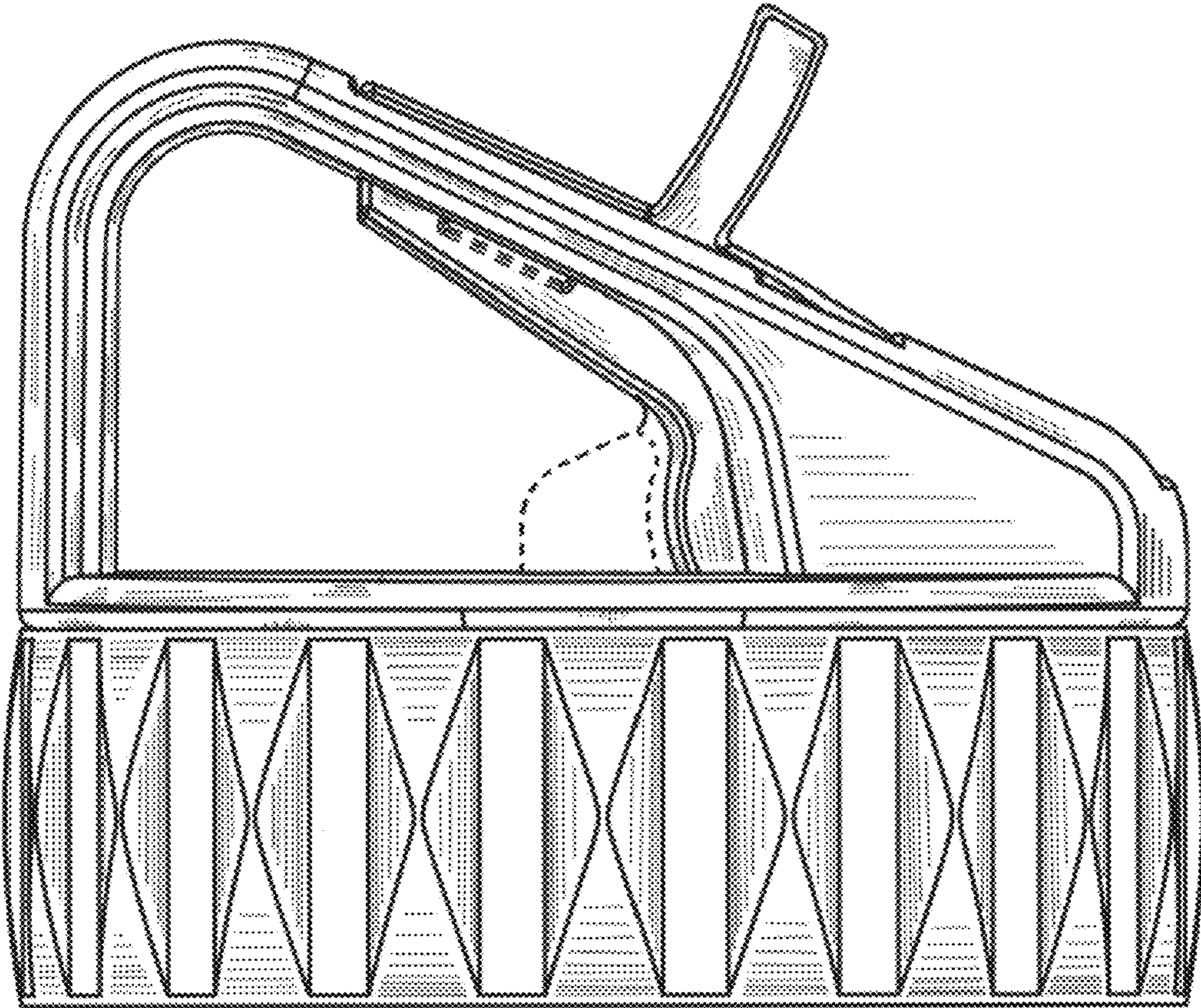


FIG. 4

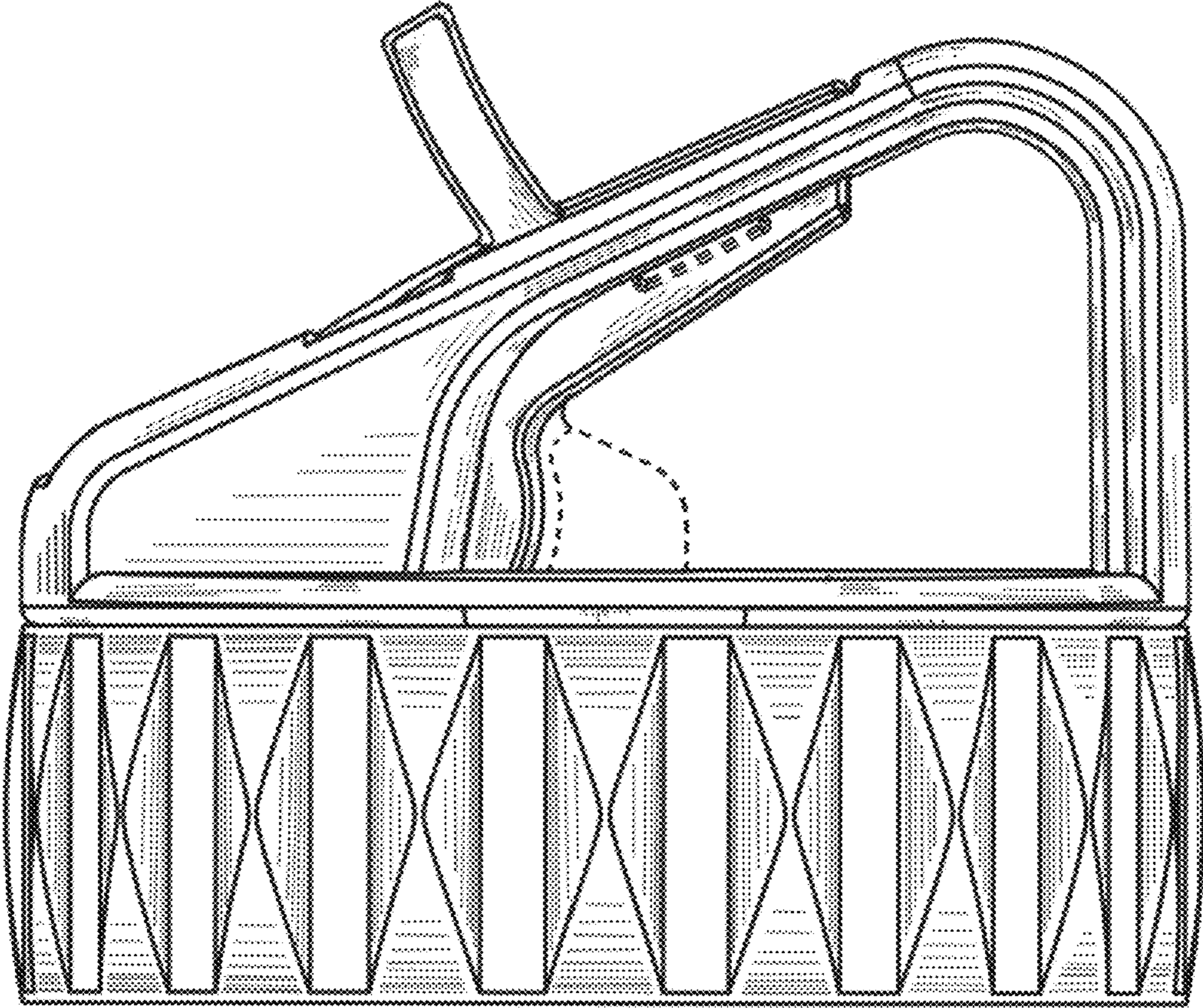


FIG. 5

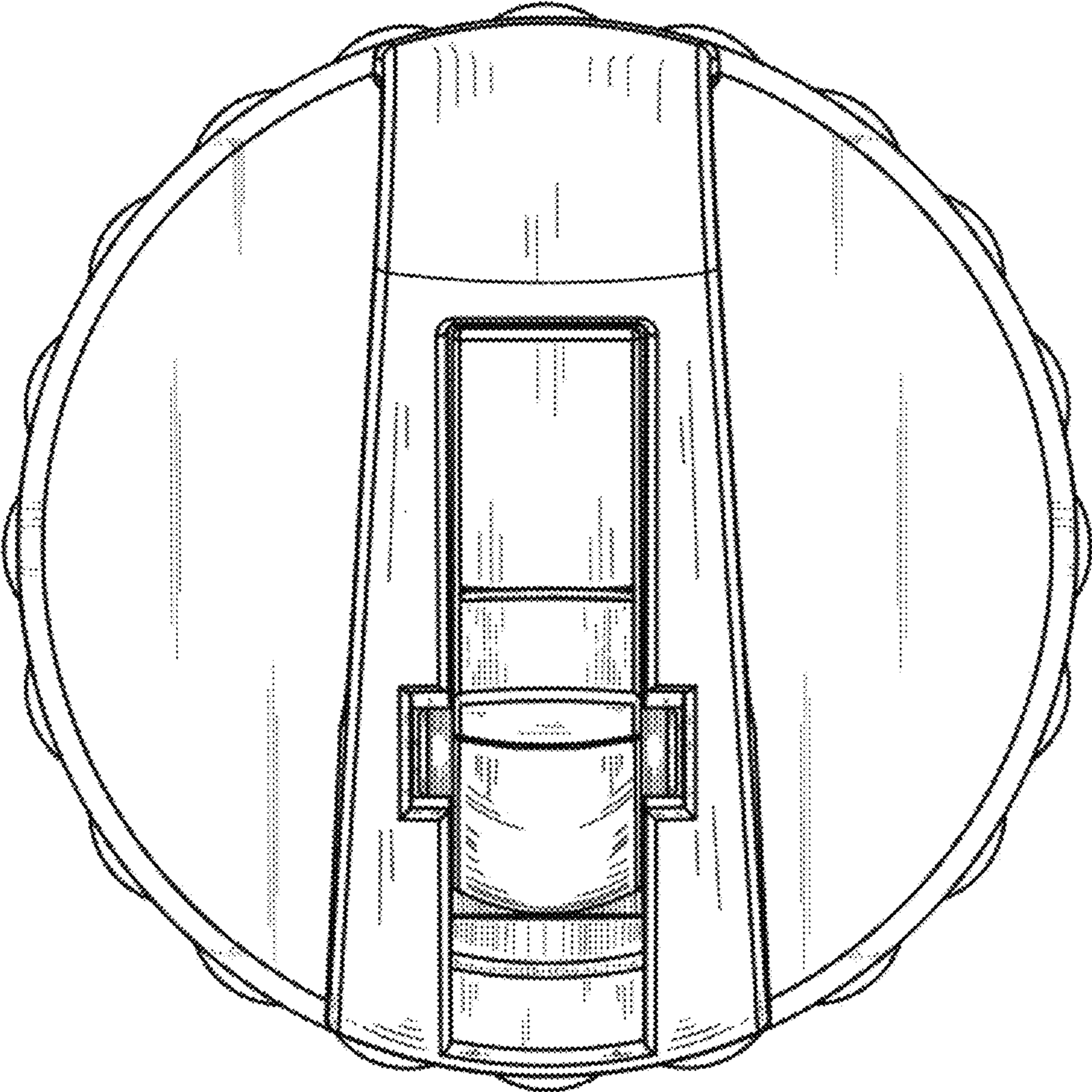


FIG. 6