

US00D869225S

(12) **United States Design Patent**  
**Saubert et al.**

(10) **Patent No.:** **US D869,225 S**

(45) **Date of Patent:** **\*\* Dec. 10, 2019**

(54) **STAND MIXER**

(71) Applicant: **TRANSFORM SR BRANDS LLC**,  
Hoffman Estates, IL (US)

(72) Inventors: **Michael Saubert**, Hoffman Estates, IL  
(US); **Michael Seskauskas**, Lemont, IL  
(US)

(73) Assignee: **Transform SR Brands LLC**, Hoffman  
Estates, IL (US)

(\*\*) Term: **15 Years**

(21) Appl. No.: **29/663,880**

(22) Filed: **Sep. 19, 2018**

(51) **LOC (12) Cl.** ..... **31-00**

(52) **U.S. Cl.**

USPC ..... **D7/379**; D7/376; D7/384

(58) **Field of Classification Search**

USPC ..... D7/372, 376–386, 412–413, 602, 629,  
D7/665–666, 669, 679, 693–694

CPC .... A21C 1/02; A21C 1/04; A23N 1/00; A23N  
1/02; A47J 43/04; A47J 43/25; A47J  
43/27; A47J 43/042; A47J 43/044; A47J  
43/046; A47J 43/075; A47J 43/0705;  
A47J 43/0722; A47J 43/0727; B01F 3/00;  
B01F 3/0807; B01F 3/0853; B01F  
13/0059; B01F 13/0064; B02C 1/08;  
B02C 2/04; B02C 4/42; B02C 4/142;  
B02C 4/143; B02C 4/423; B02C 13/1835;  
B28C 5/10; B28C 5/12; B28C 5/14;  
B28C 5/16

See application file for complete search history.

(56) **References Cited**

U.S. PATENT DOCUMENTS

D436,497 S \* 1/2001 Nalbandian ..... D7/379  
D499,604 S \* 12/2004 Hooper ..... D7/376  
D530,146 S \* 10/2006 Ball ..... D7/379  
D533,017 S \* 12/2006 Wilson ..... D7/376

D612,195 S \* 3/2010 Liu ..... D7/379  
D632,922 S \* 2/2011 Grigor ..... D7/376  
D633,334 S \* 3/2011 Kaiser ..... D7/376  
D728,304 S \* 5/2015 Weaden ..... D7/376  
D743,735 S \* 11/2015 Weaden ..... A47J 43/0705  
D7/376

(Continued)

*Primary Examiner* — Ricky Pham

(74) *Attorney, Agent, or Firm* — McAndrews, Held &  
Malloy, Ltd.

(57) **CLAIM**

The ornamental design for a stand mixer, as shown and  
described.

**DESCRIPTION**

FIG. 1 is a top-front perspective view of a stand mixer  
showing our new design;

FIG. 2 is another top-front perspective view thereof;

FIG. 3 is a front elevation view thereof;

FIG. 4 is a rear elevation view thereof;

FIG. 5 is a right side elevation view thereof;

FIG. 6 is a left side elevation thereof;

FIG. 7 is a top plan view thereof;

FIG. 8 is a bottom plan view thereof;

FIG. 9 is a bottom-rear perspective view thereof;

FIG. 10 is a bottom-front perspective view thereof;

FIG. 11 is a top-front perspective view showing the stand  
mixer in a raised position;

FIG. 12 is another top-front perspective view thereof;

FIG. 13 is a front elevation view thereof;

FIG. 14 is a rear elevation view thereof;

FIG. 15 is a right side elevation view thereof;

FIG. 16 is a left side elevation thereof;

FIG. 17 is a top plan view thereof;

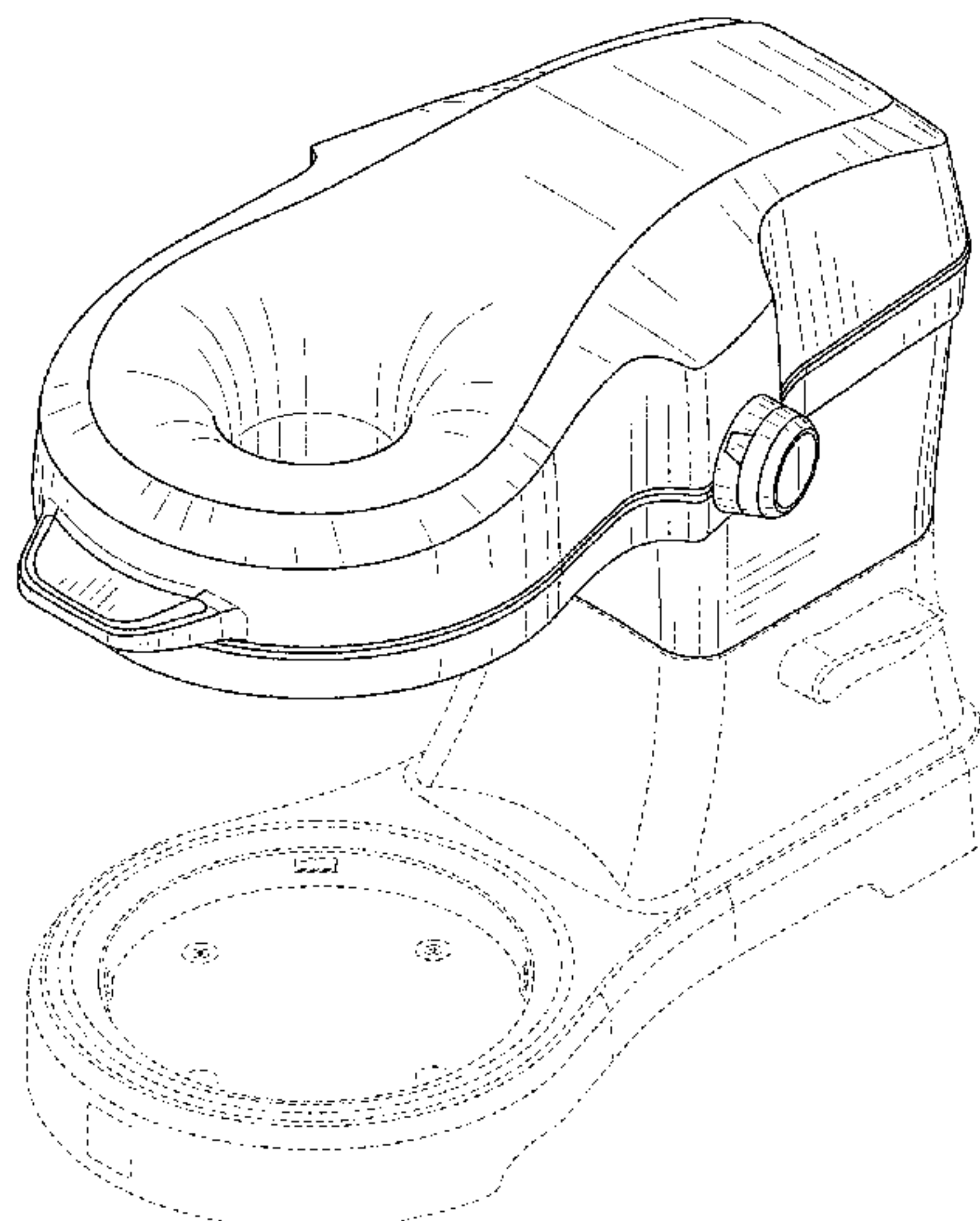
FIG. 18 is a bottom plan view thereof;

FIG. 19 is a bottom-rear perspective view thereof; and,

FIG. 20 is a bottom-front perspective view thereof.

The dashed broken lines in the figures illustrate portions of  
the stand mixer that form no part of the claimed design.

**1 Claim, 19 Drawing Sheets**



(56)

**References Cited**

U.S. PATENT DOCUMENTS

D748,428 S *	2/2016	Yuan .....	D7/376
D851,442 S *	6/2019	Saubert .....	D7/379
D851,443 S *	6/2019	Saubert .....	D7/379
2011/0122723 A1 *	5/2011	Saubert .....	A47J 43/0705 366/200

\* cited by examiner

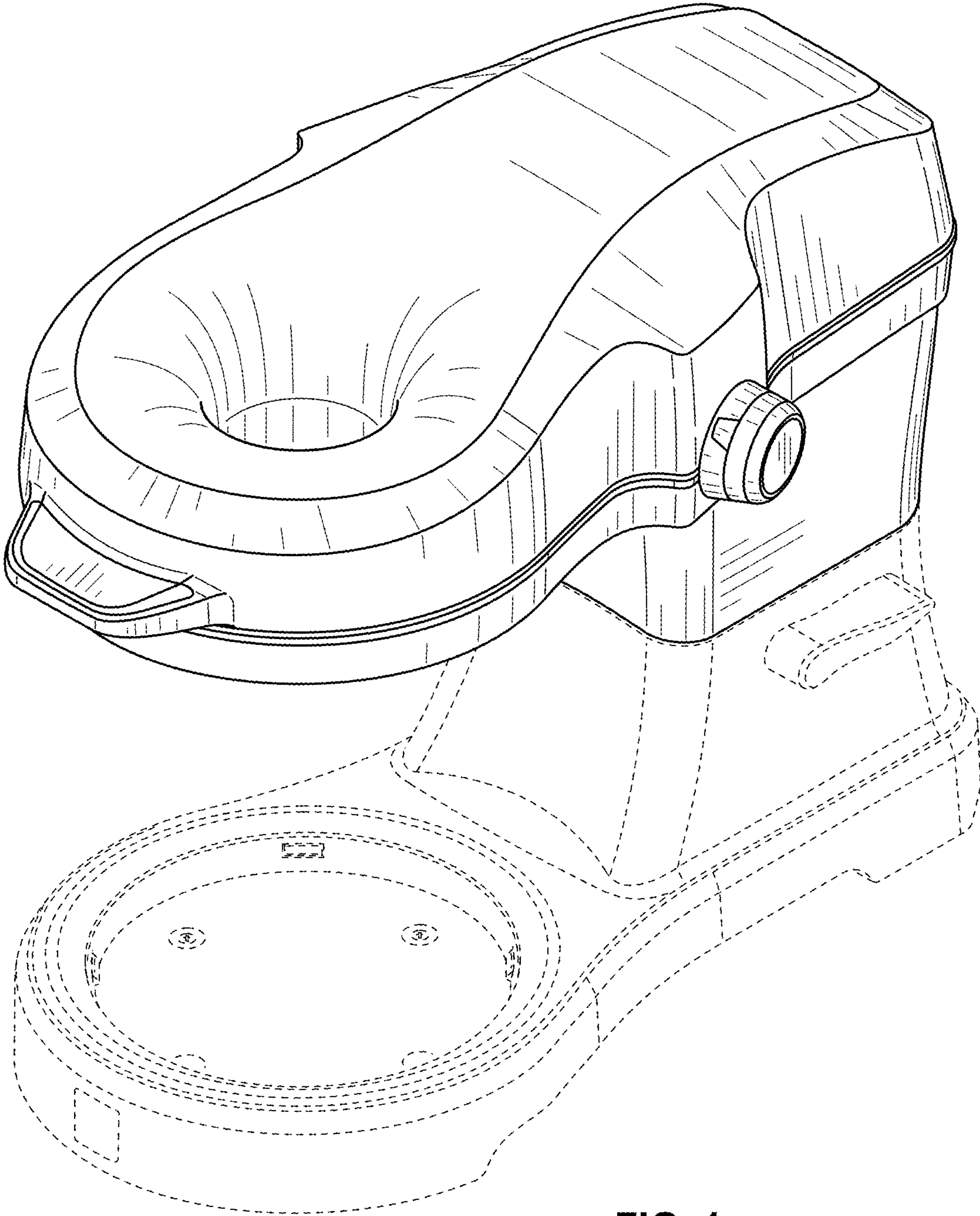


FIG. 1

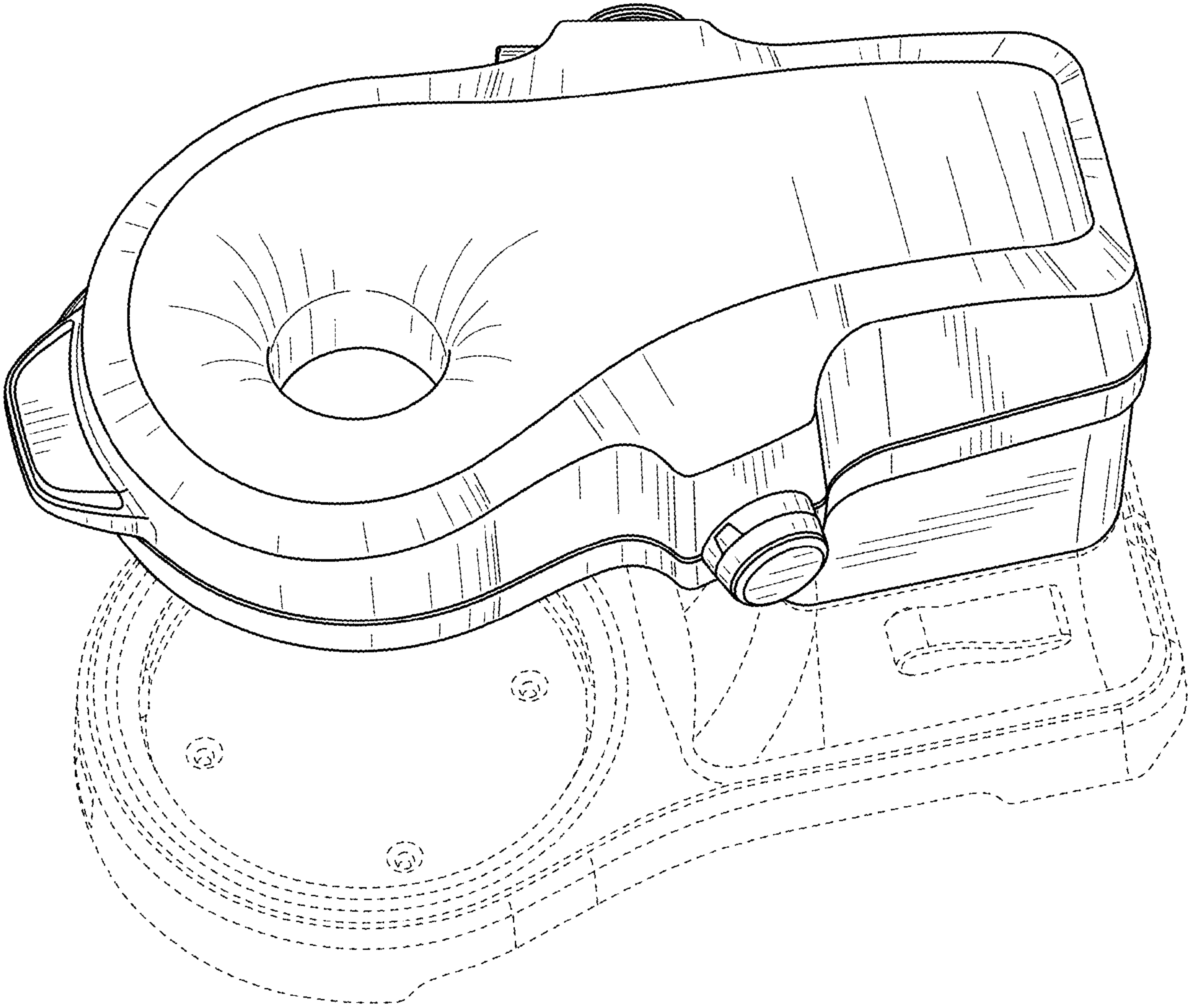


FIG. 2



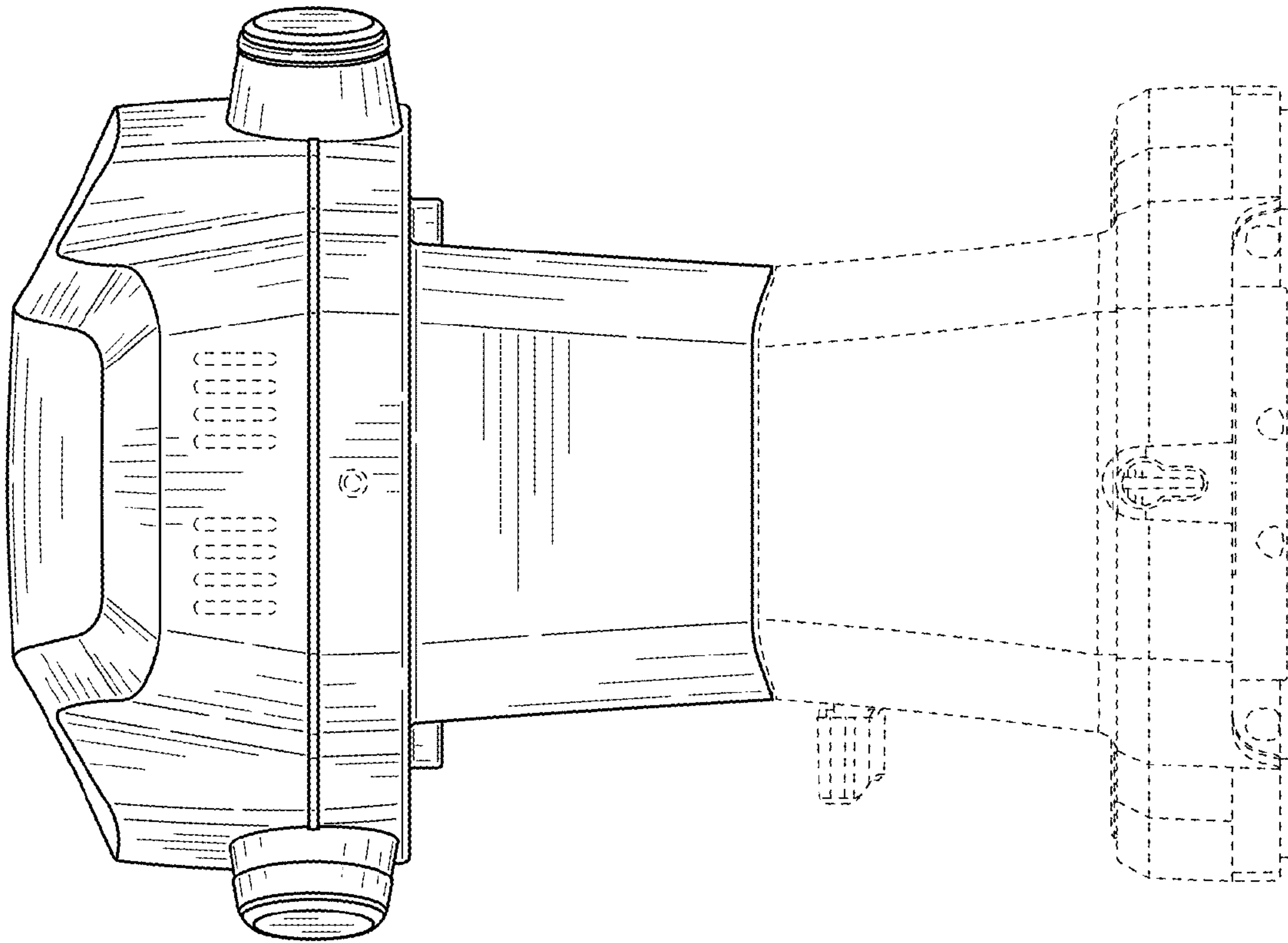


FIG. 4

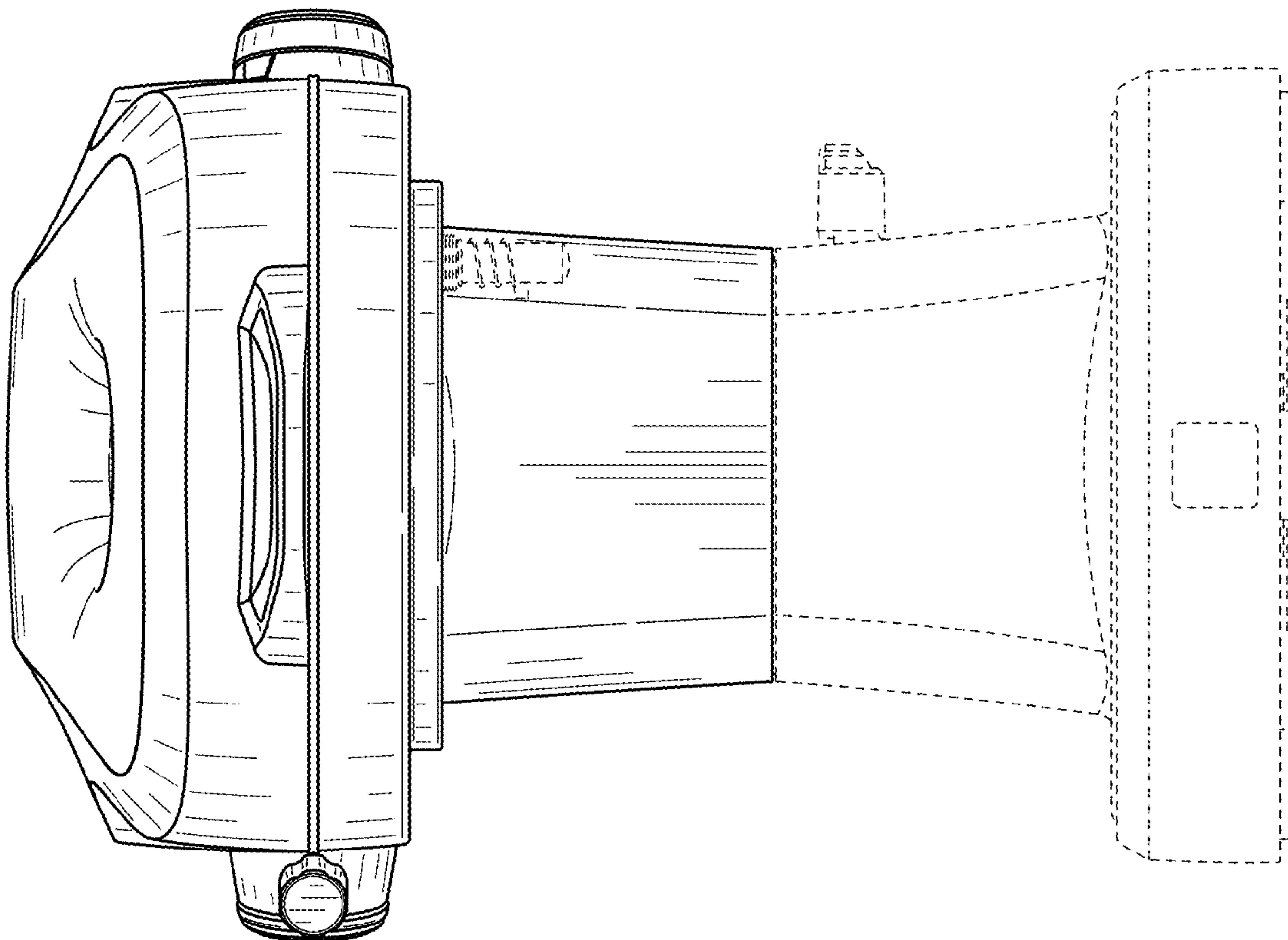


FIG. 3

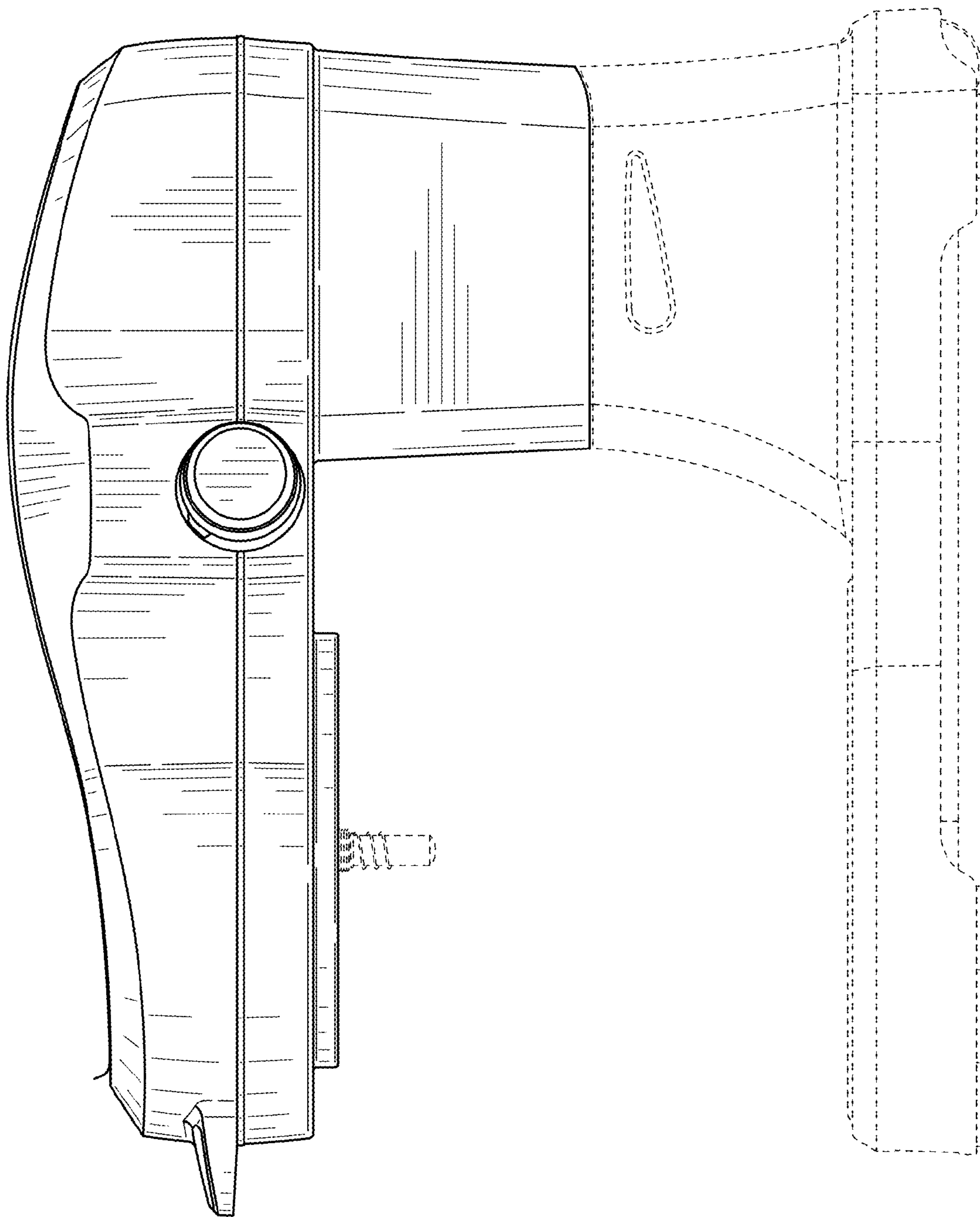


FIG. 5

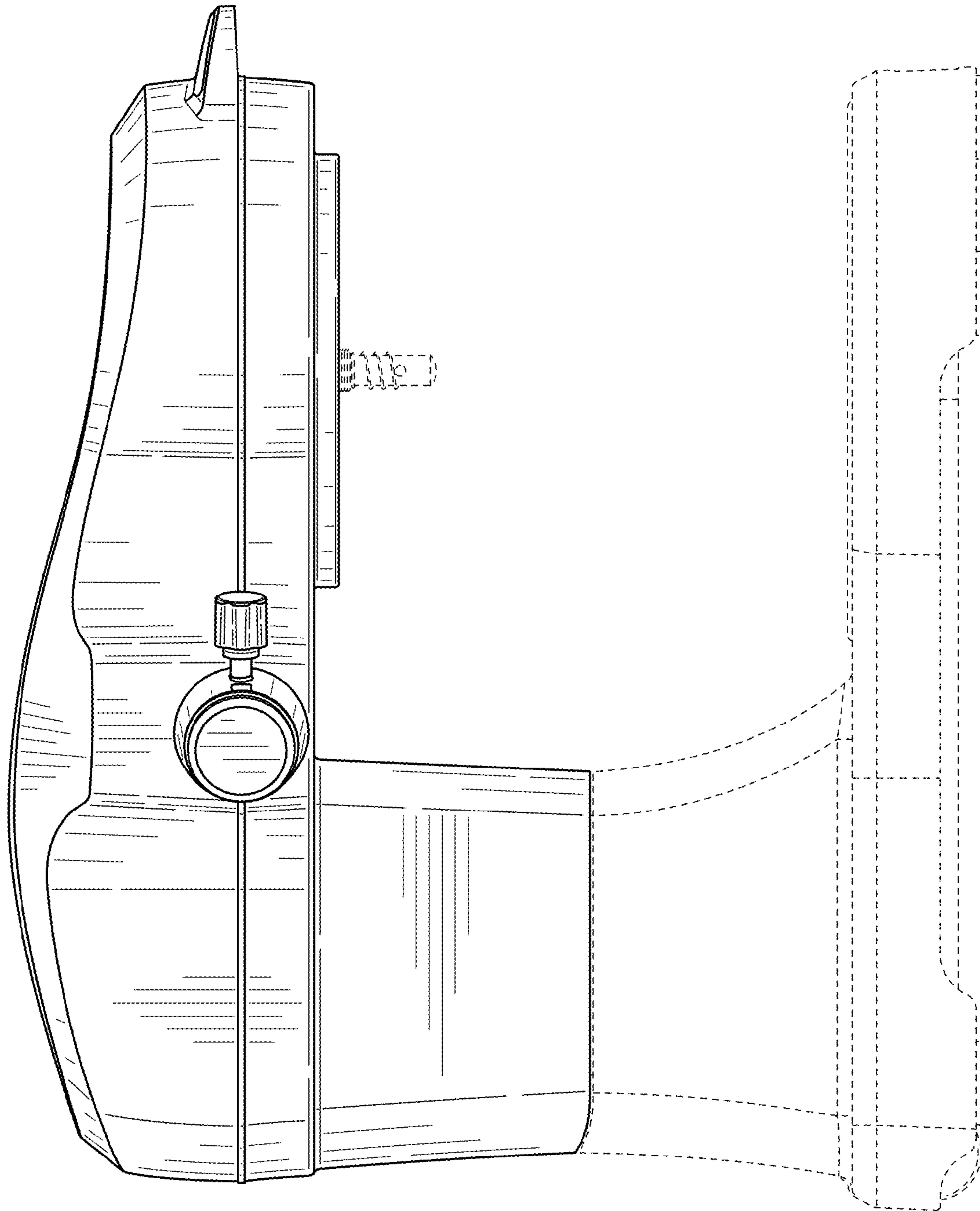


FIG. 6

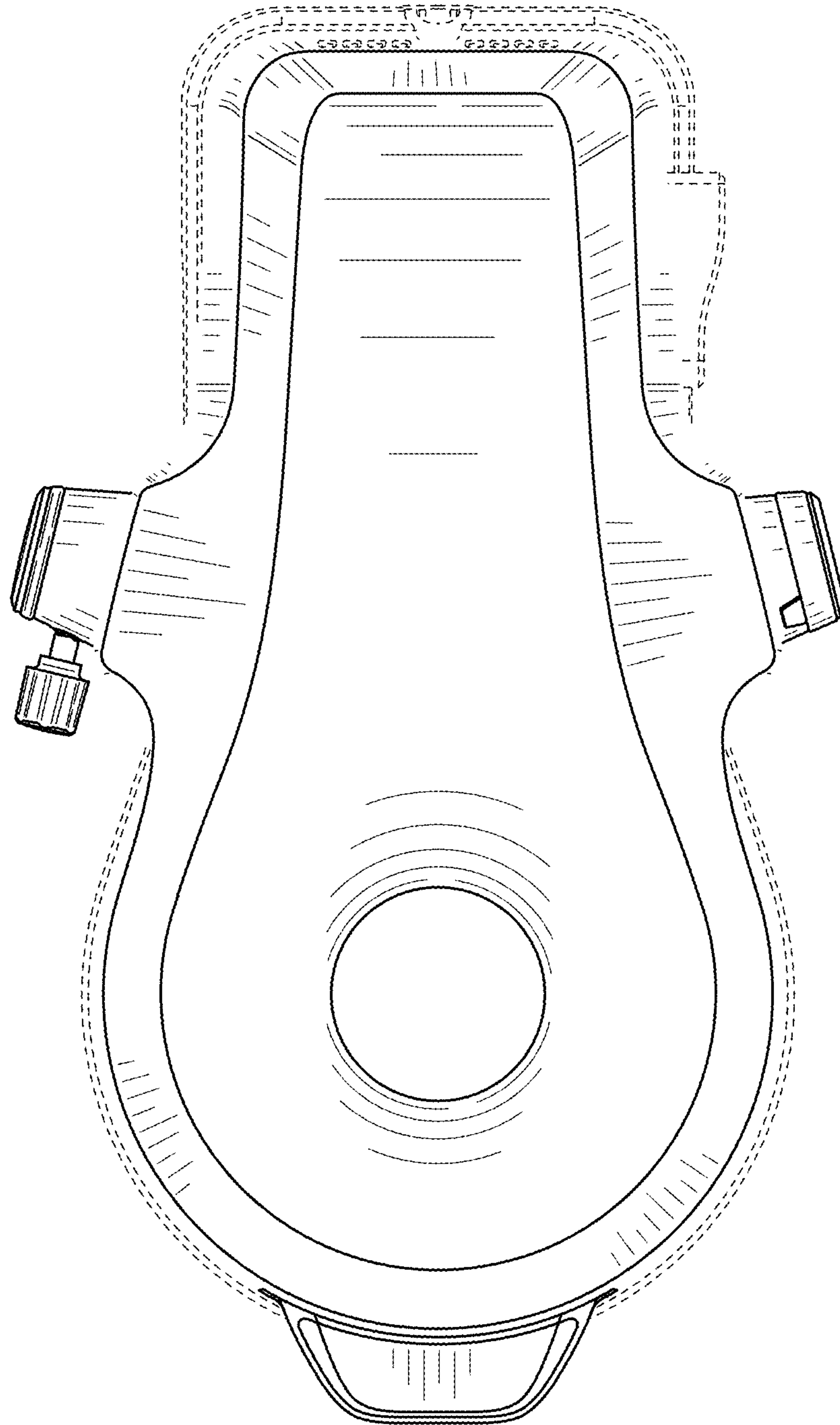


FIG. 7



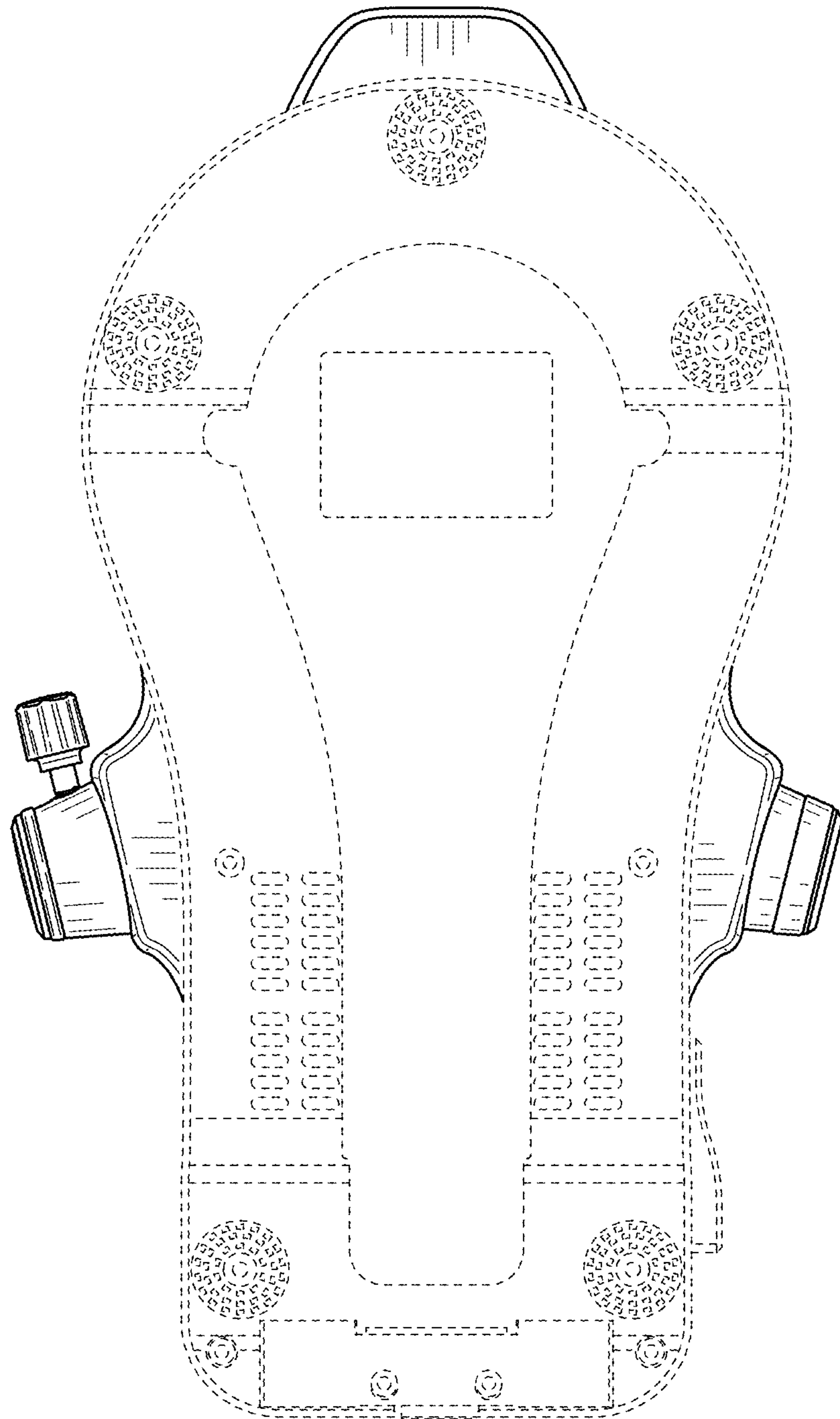


FIG. 8

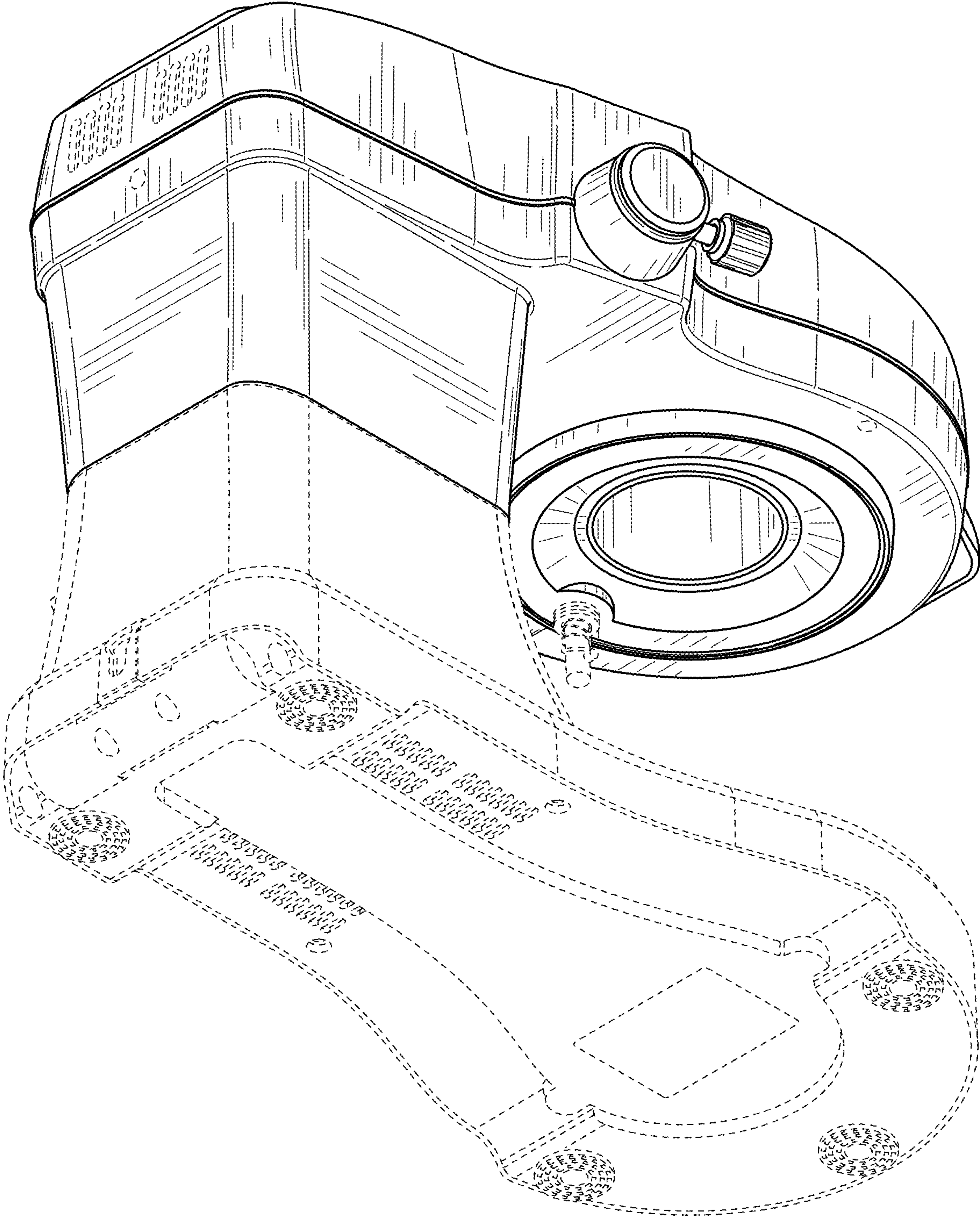


FIG. 9

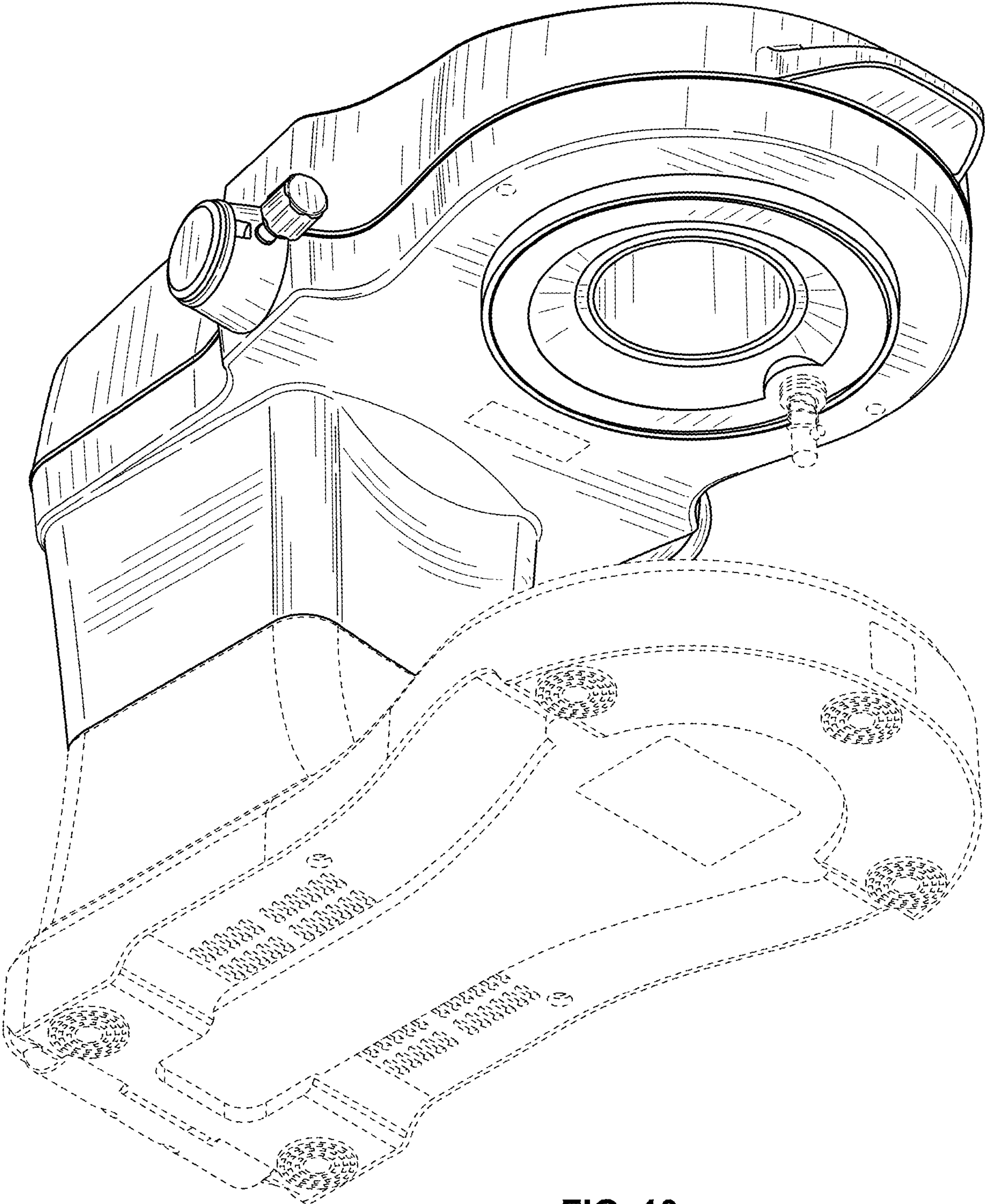


FIG. 10



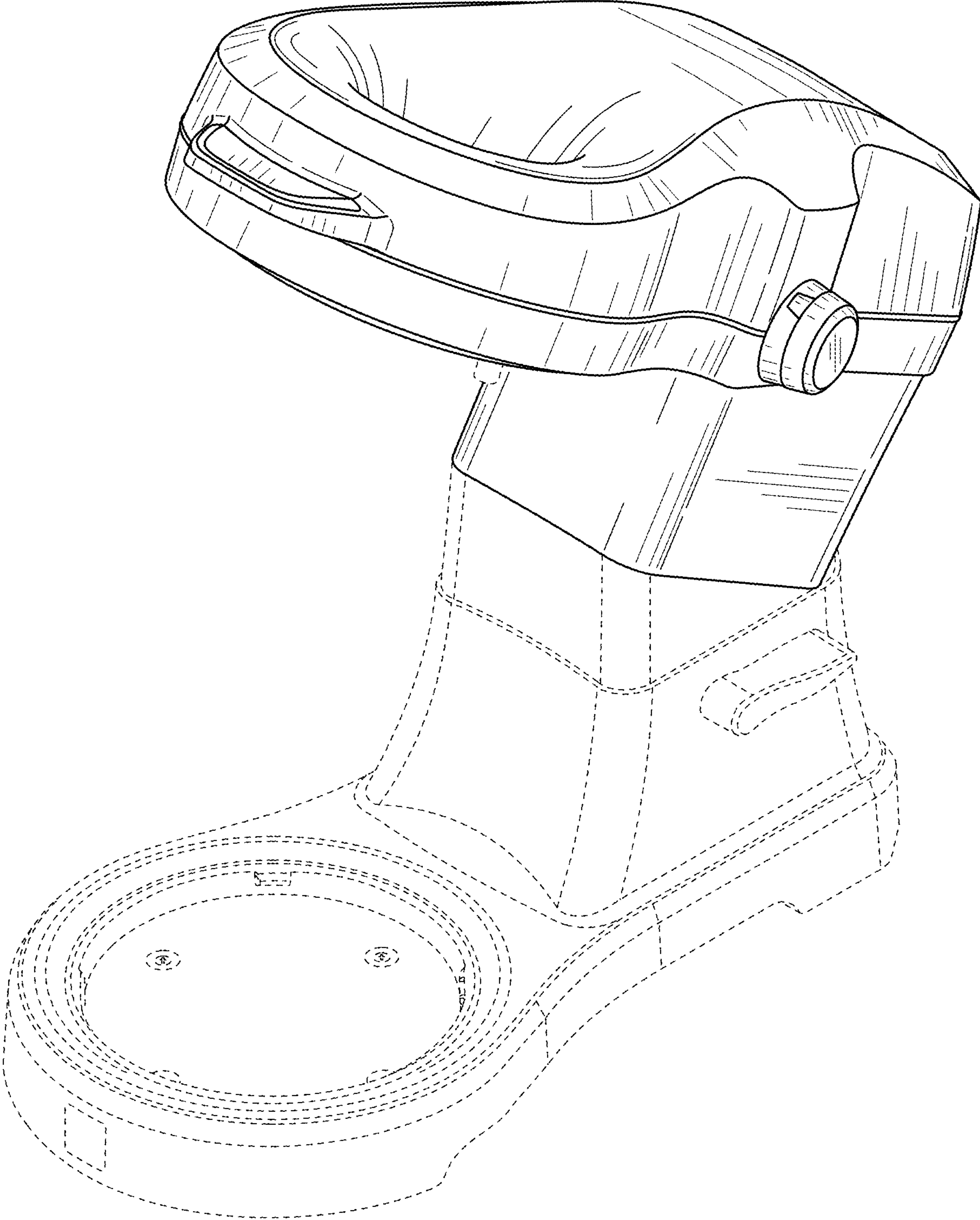


FIG. 11



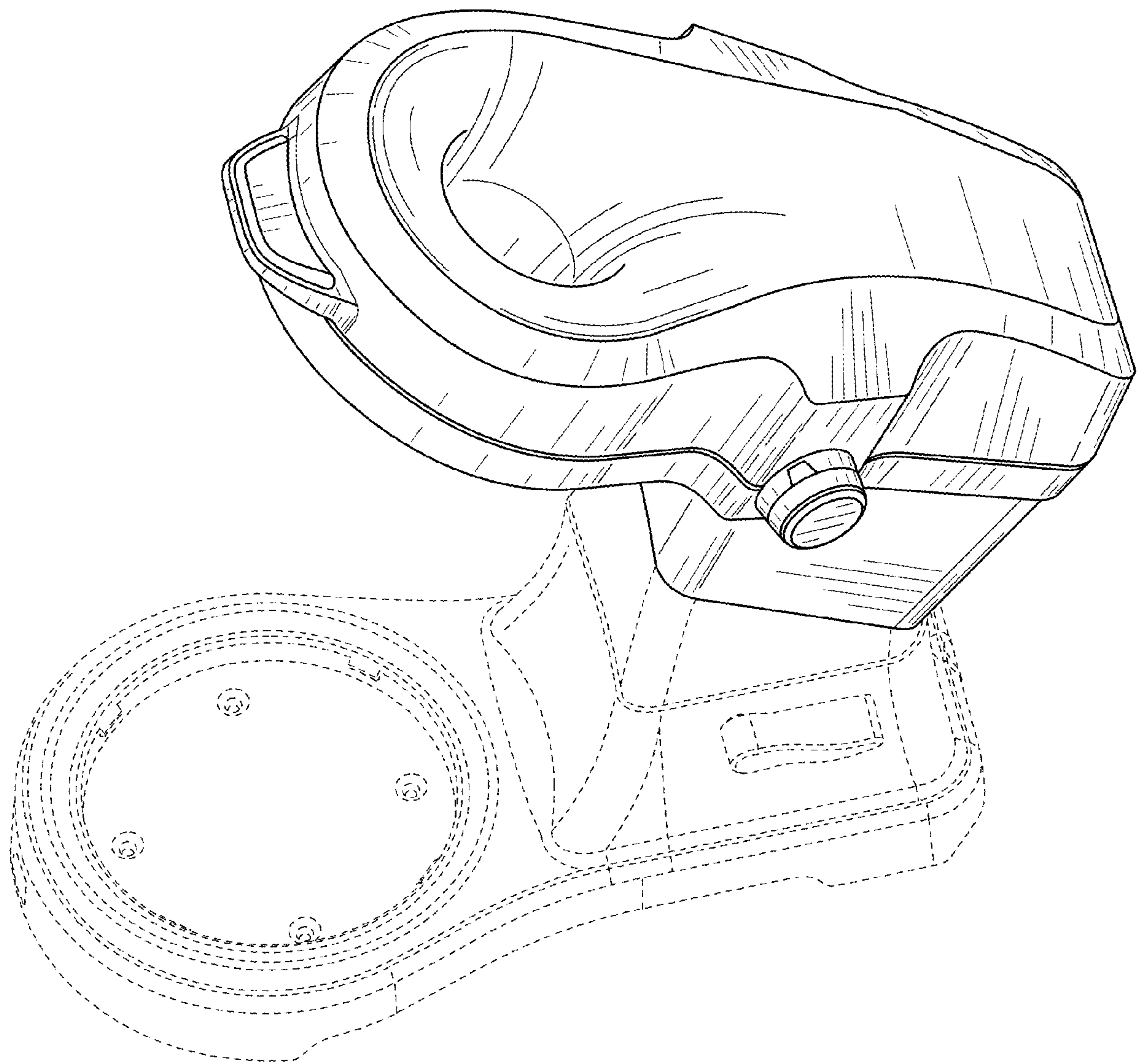


FIG. 12

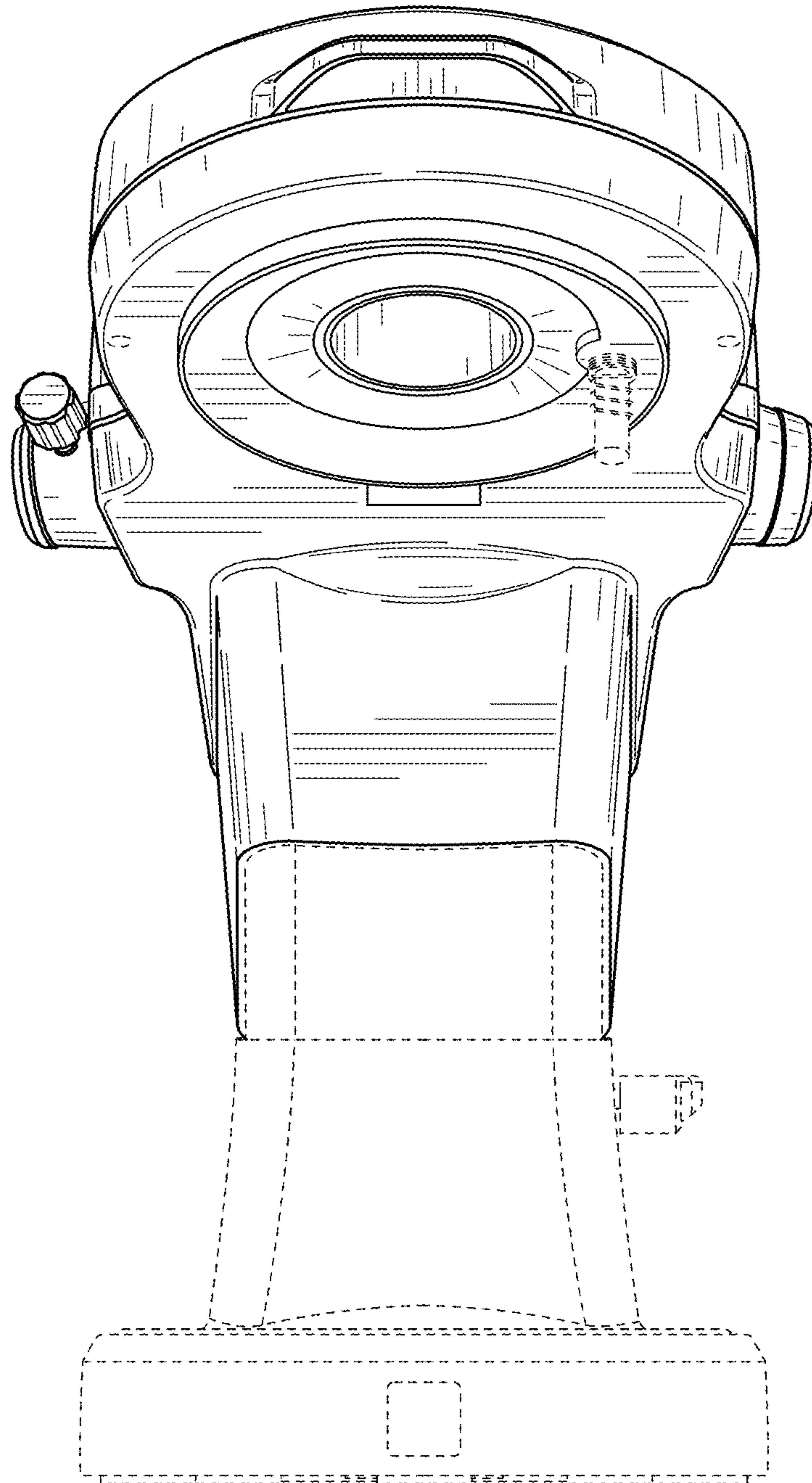


FIG. 13

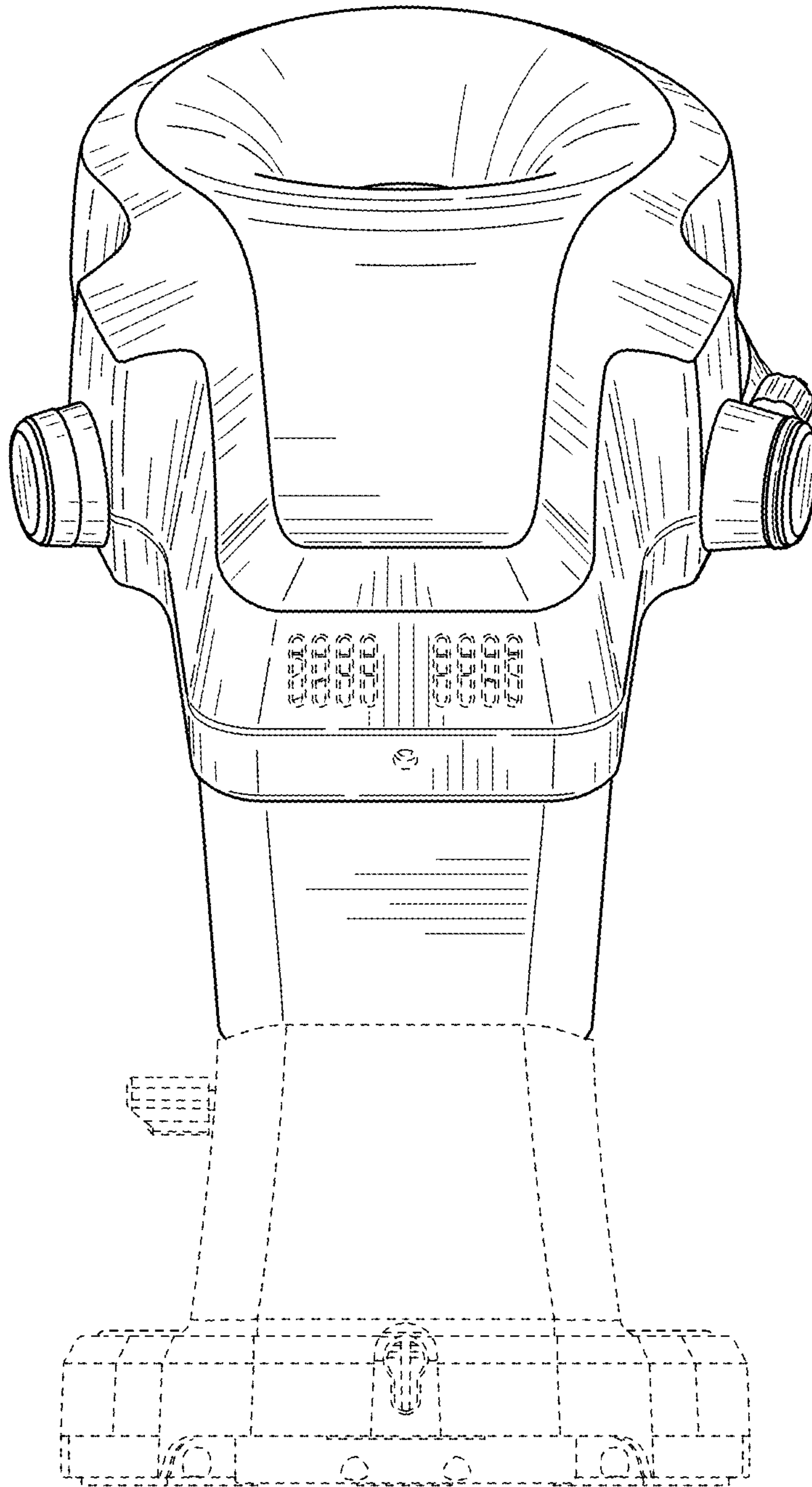


FIG. 14

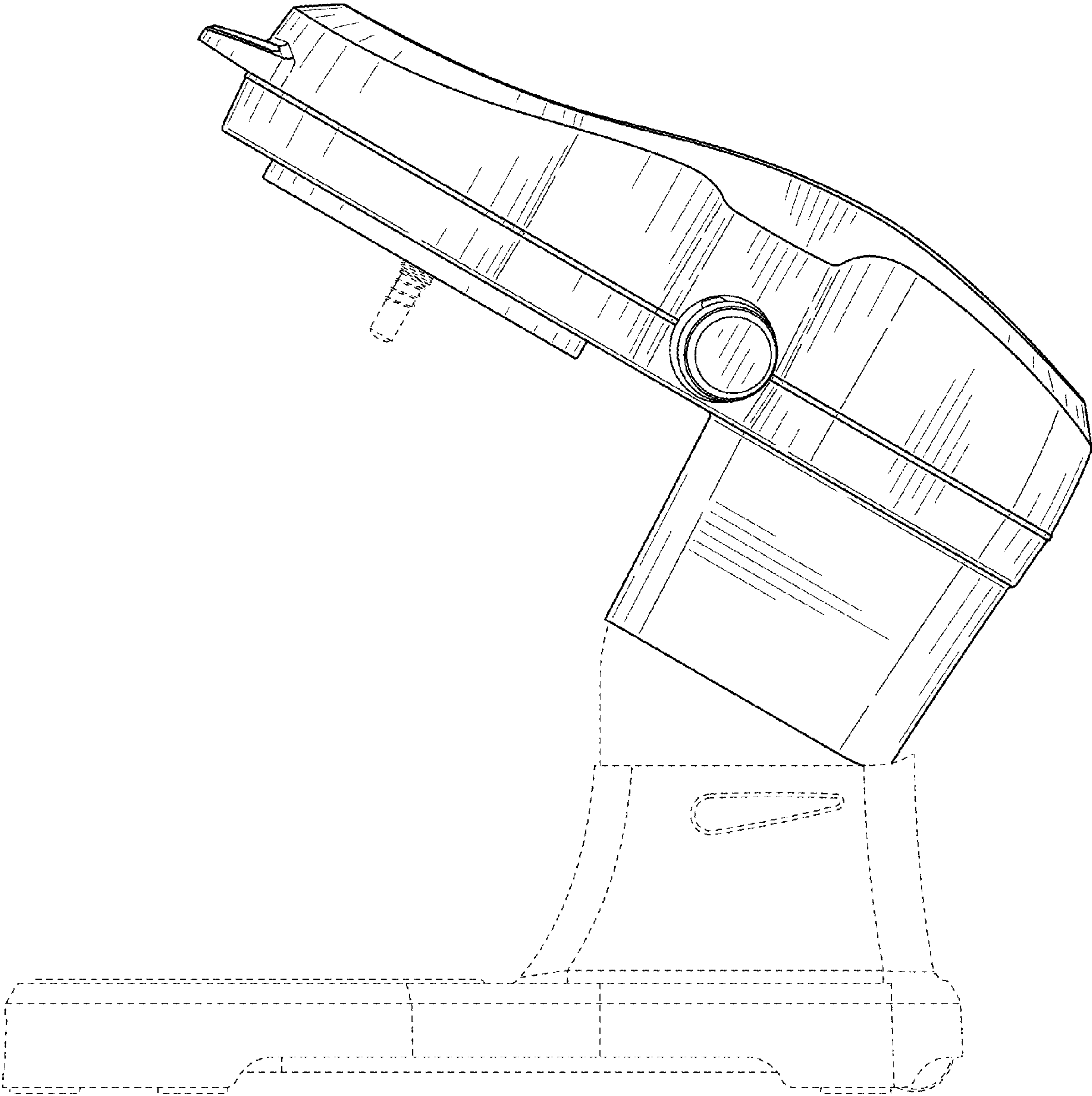


FIG. 15



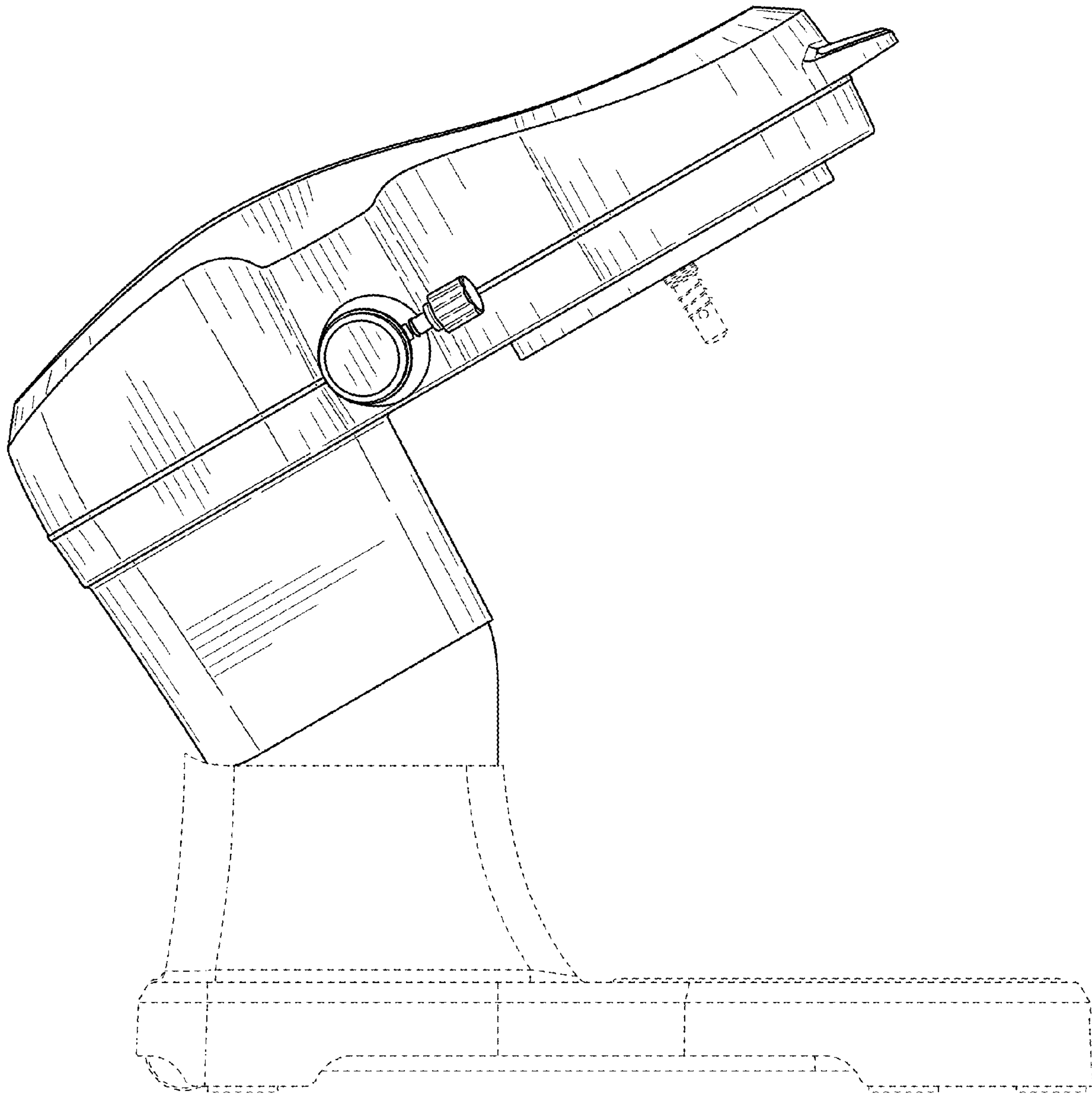


FIG. 16

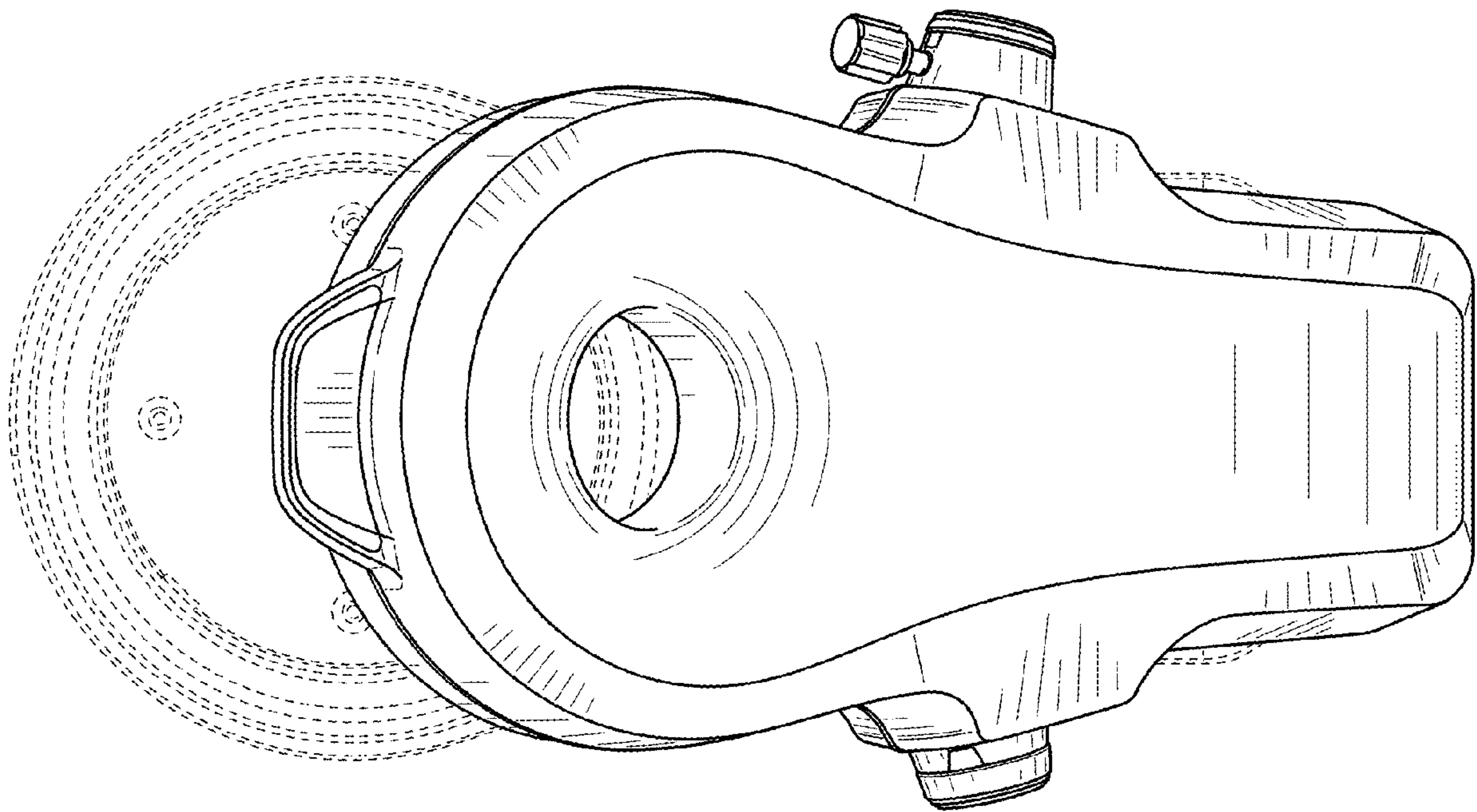


FIG. 17

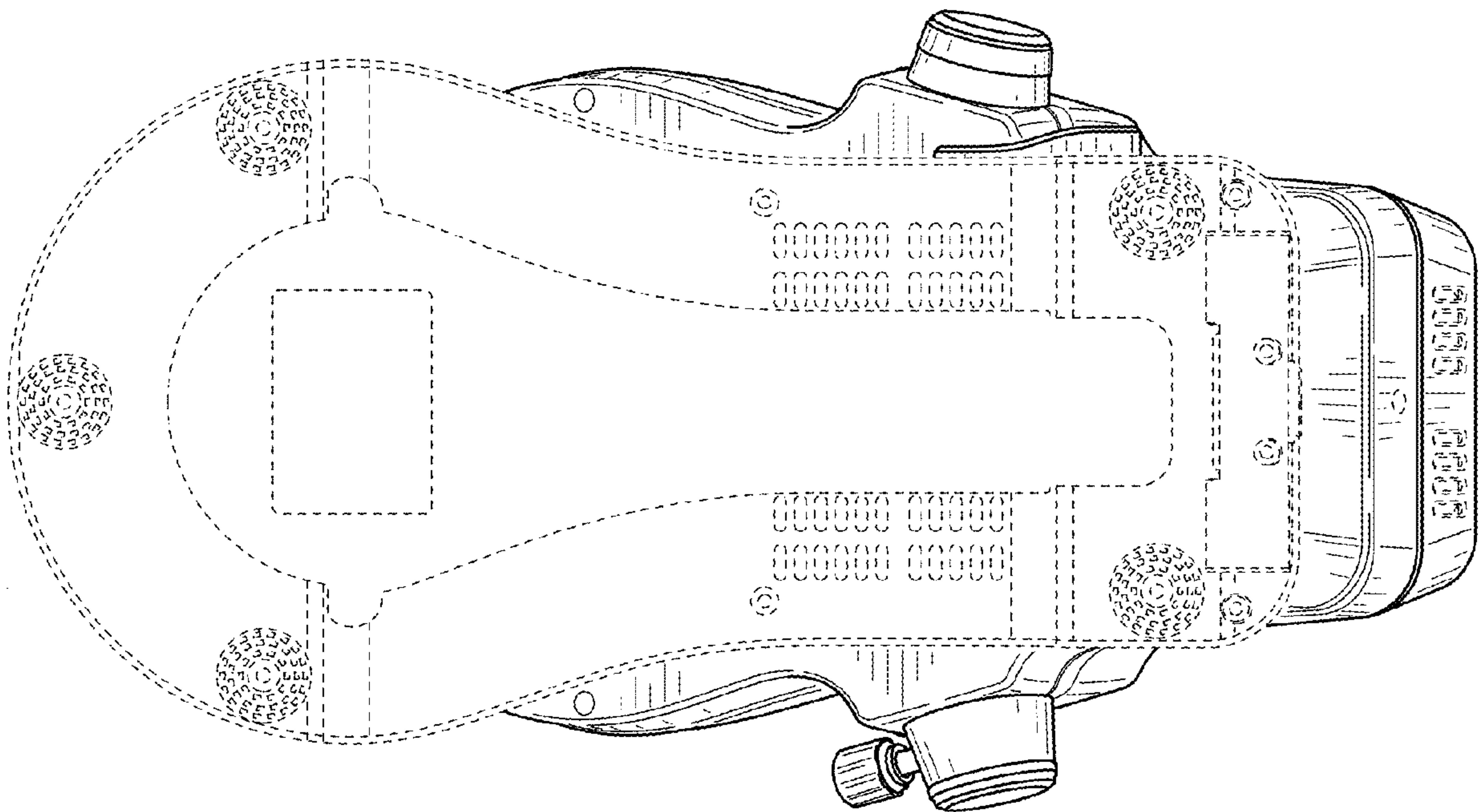


FIG. 18

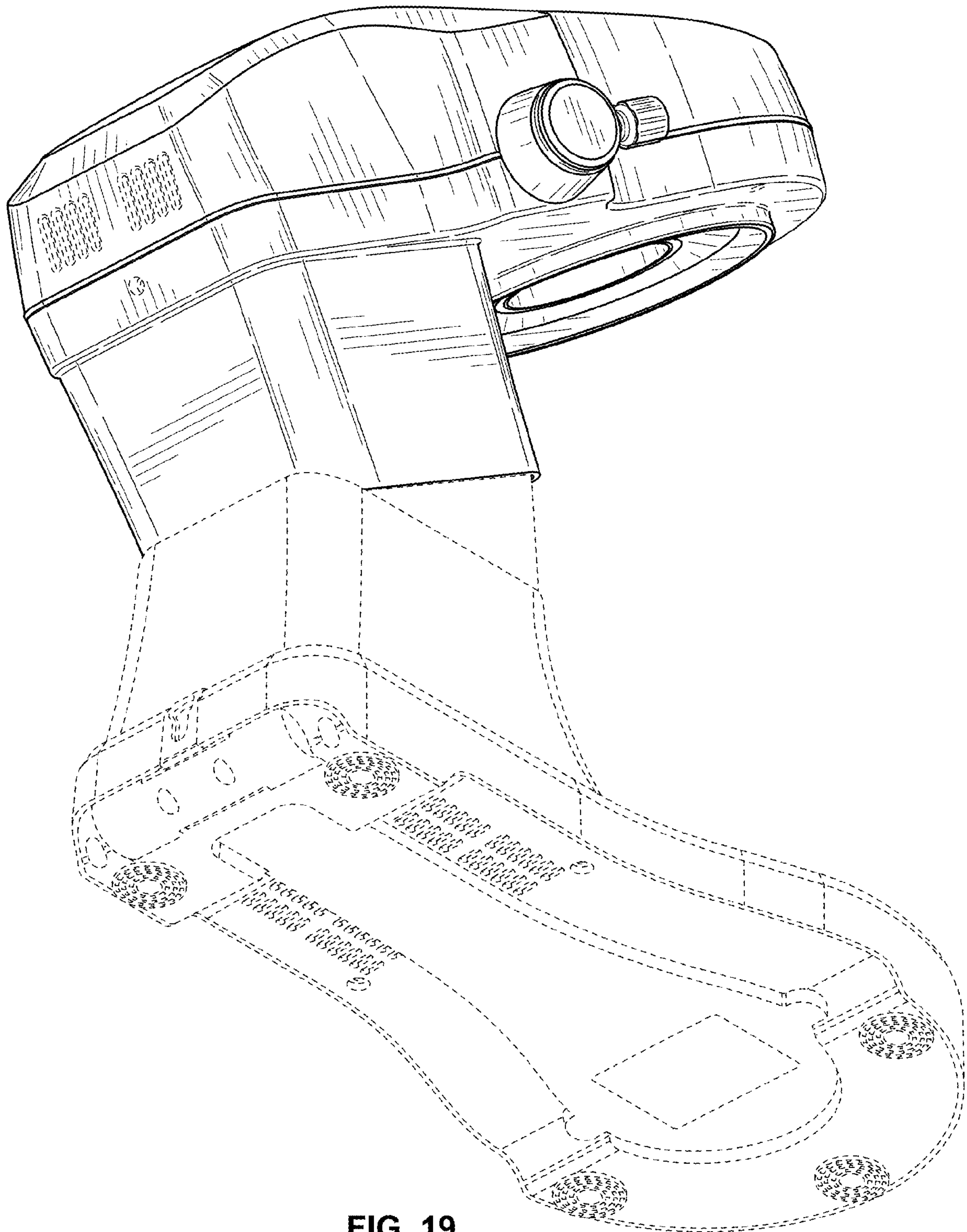


FIG. 19



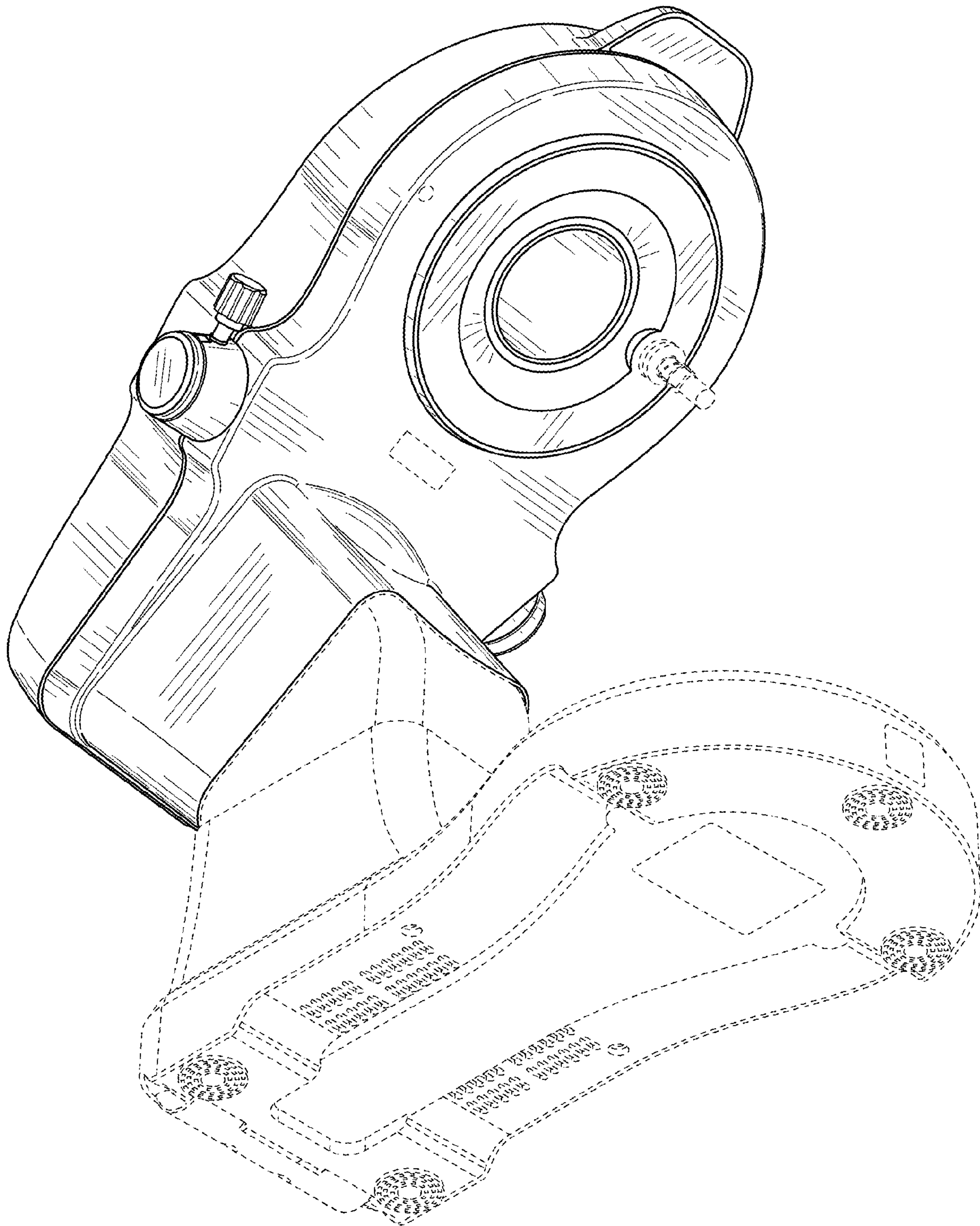


FIG. 20