



US00D869223S

(12) **United States Design Patent**
Kurani et al.

(10) **Patent No.:** **US D869,223 S**
(45) **Date of Patent:** **** Dec. 10, 2019**

(54) **PAN** 3,146,339 A * 8/1964 Jepson A47J 27/004
219/442
(71) Applicant: **Tekno Products Inc.**, Rutherford, NJ D246,884 S 1/1978 Finke
(US) D263,670 S 4/1982 Schwalder
(72) Inventors: **Jeff Kurani**, New York, NY (US); D297,604 S * 9/1988 Hagberg D7/359
Manoj Budhrani, Kowloon (HK) 4,926,843 A 5/1990 Vocke
D338,370 S 8/1993 Takeda
(Continued)

(73) Assignee: **Tekno Products Inc.**, Rutherford, NJ
(US)

(**) Term: **15 Years**

(21) Appl. No.: **29/600,138**

(22) Filed: **Apr. 10, 2017**

(51) **LOC (12) Cl.** **07-02**

(52) **U.S. Cl.**
USPC **D7/361**

(58) **Field of Classification Search**
USPC D7/323, 330-331, 337, 339, 347,
D7/350-367, 378-384, 391-396, 401.2,
D7/402, 409, 542-545, 560, 664
CPC A47G 19/12; A47J 27/00; A47J 27/002;
A47J 27/004; A47J 27/006; A47J 27/02;
A47J 27/022; A47J 27/04; A47J 27/043;
A47J 36/025; A47J 36/06; A47J 36/08;
A47J 36/18; A47J 36/20; A47J 36/22;
A47J 37/00; A47J 37/10; A47J 37/101;
A47J 37/108; A47J 37/067; A47J 45/08;
A47J 45/061; A47J 45/085; A47J 45/071;
A47J 45/072; B65D 25/2802; B65D
25/2882; B65D 25/2885; B65D 25/2888;
B65D 25/2894; G07F 17/0064; G07F
17/0078; G07F 17/0085; H05B 6/12;
H05B 6/1227; Y10S 220/912
See application file for complete search history.

(56) **References Cited**

U.S. PATENT DOCUMENTS

2,085,220 A 6/1937 Howlett
3,065,018 A * 11/1962 Serio A47J 45/071
292/246

FOREIGN PATENT DOCUMENTS

CA 28053 S 3/1966
CN 300743744 2/2008
(Continued)

OTHER PUBLICATIONS

Three square pans, one with the lid off, two with the lid on.
(Continued)

Primary Examiner — Michelle E. Wilson
Assistant Examiner — Messina L Smith
(74) *Attorney, Agent, or Firm* — Stern & Schurin LLP

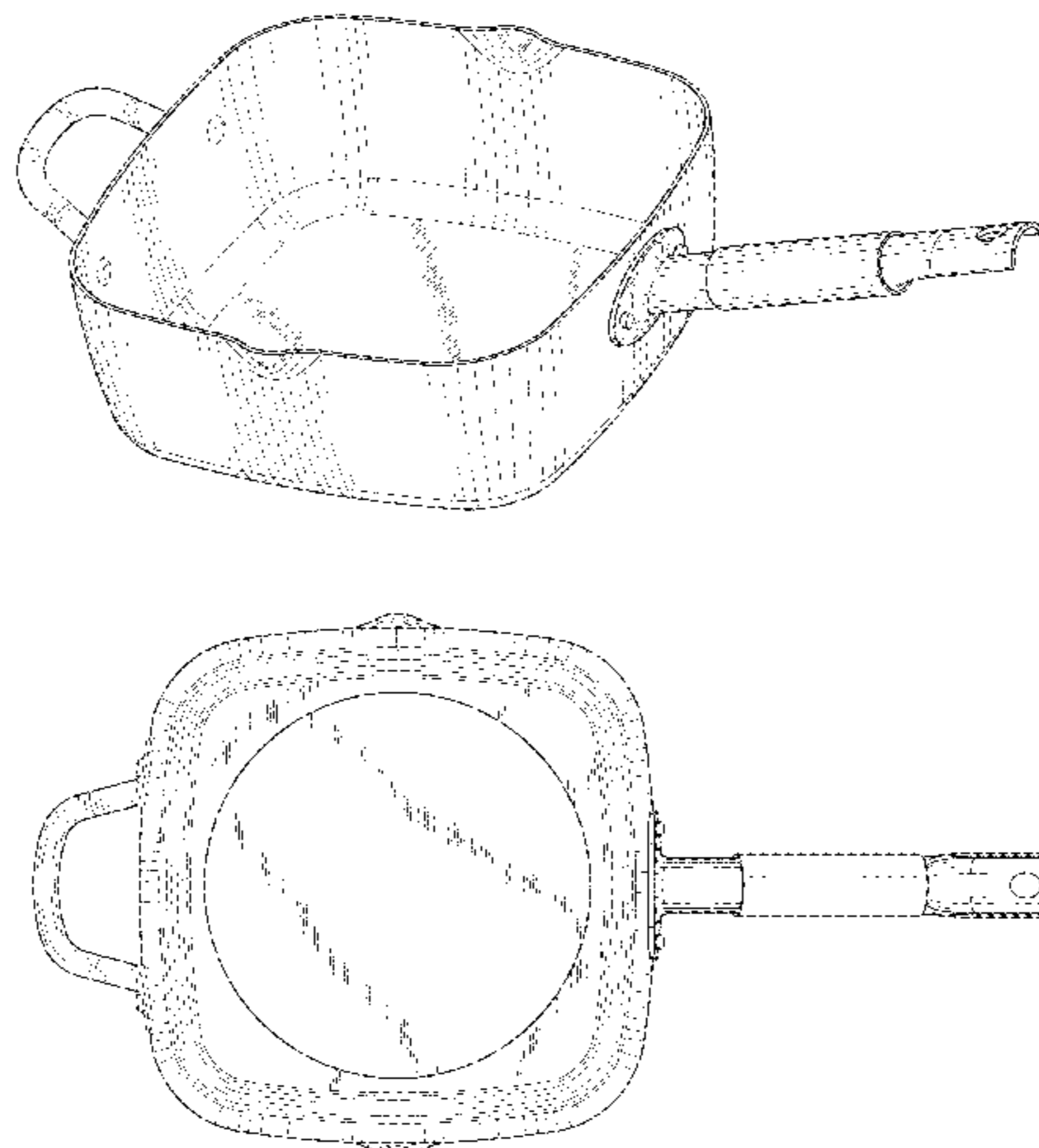
(57) **CLAIM**

The ornamental design for a pan, as shown and described.

DESCRIPTION

FIG. 1 is a top, rear and right-side perspective view of a pan, showing my new design;
FIG. 2 is a front elevational view thereof;
FIG. 3 is a rear elevational view thereof;
FIG. 4 is a left-side elevational view thereof;
FIG. 5 is a right-side elevational view thereof;
FIG. 6 is a top view thereof; and,
FIG. 7 is a bottom view thereof.
The broken lines shown in the drawings depict portions of the pan that form no part of the claimed design.

1 Claim, 6 Drawing Sheets



(56)

References Cited

U.S. PATENT DOCUMENTS

5,323,693 A 6/1994 Collard et al.
 5,396,834 A 3/1995 Gambini
 5,497,696 A 3/1996 Coudurier
 D373,287 S 9/1996 Antonio
 D374,149 S 10/1996 Candianides
 D377,438 S 1/1997 Brunianyn
 D392,152 S 3/1998 Rae
 D414,981 S 10/1999 Roskind et al.
 D458,797 S 6/2002 Kellermann
 D467,462 S 12/2002 Teisen-Simony
 D482,233 S 11/2003 Rae
 D498,640 S * 11/2004 Kloppsteck D7/361
 D522,308 S 6/2006 Ball et al.
 D549,041 S 8/2007 Kellerman et al.
 D555,421 S 11/2007 Thurlow et al.
 D559,032 S 1/2008 Kellermann
 7,415,922 B2 8/2008 Cheng
 D579,714 S 11/2008 Cheng
 D587,519 S 3/2009 Cheng
 D589,741 S 4/2009 Gerlach
 D594,271 S 6/2009 Bodum
 D614,445 S 4/2010 Ferron et al.
 D618,505 S 6/2010 Rae
 D627,193 S 11/2010 Marin
 D631,281 S 1/2011 Bodum
 D639,602 S 6/2011 Bodum
 8,137,723 B1 * 3/2012 Blount A47J 37/01
 426/523
 D657,992 S 4/2012 Moodie et al.
 D662,775 S 7/2012 Moulin
 D663,582 S 7/2012 Moulin
 D664,000 S 7/2012 Moulin
 D669,730 S 10/2012 Mandil
 D672,604 S 12/2012 Upston et al.
 D685,222 S 7/2013 Dang
 D693,627 S 11/2013 Moon et al.
 D696,059 S 12/2013 Bourbeau
 D696,060 S 12/2013 Schleinzer
 D697,751 S 1/2014 Schleinzer
 D711,184 S 8/2014 Bowden et al.
 D712,193 S 9/2014 Nagrani

D712,194 S 9/2014 Thonis
 D732,335 S 6/2015 Thonis
 D734,091 S 7/2015 Moon et al.
 D751,334 S 3/2016 Pan
 D752,912 S 4/2016 Venot et al.
 D772,641 S 11/2016 Mirchandani et al.
 D790,908 S * 7/2017 Mirchandani D7/354
 D791,529 S 7/2017 Mirchandani
 D796,252 S * 9/2017 Gabbay D7/354
 D807,679 S * 1/2018 Mirchandani D7/354
 D808,209 S * 1/2018 Lee D7/359
 2005/0211106 A1 9/2005 Dierkes
 2007/0193575 A1 8/2007 Jan
 2008/0035139 A1 2/2008 Marin
 2010/0083949 A1 4/2010 Lisheng
 2012/0037639 A1 * 2/2012 Gotsis A47J 37/10
 220/573.4
 2015/0083711 A1 3/2015 Moon et al.
 2016/0183729 A1 * 6/2016 Monk A47J 37/108
 99/349

FOREIGN PATENT DOCUMENTS

CN 301355624 9/2010
 CN 302846862 6/2014
 CN 303503839 12/2015
 EP 001112353-0001 5/2009
 EP 001171466-0002 10/2009
 EP 001610098-0001 10/2009
 EP 001320717-0001 4/2012
 EP 002445940-0025 4/2014
 HK 1002396.2 6/2010
 JP 1534683 10/2015
 WO DM/060071 4/2002

OTHER PUBLICATIONS

Perspective view of a green square pan with two green handles with the lid on and bottom showing convection surface.
 Perspective view of a square pan with the lid resting partially on the pan.

* cited by examiner

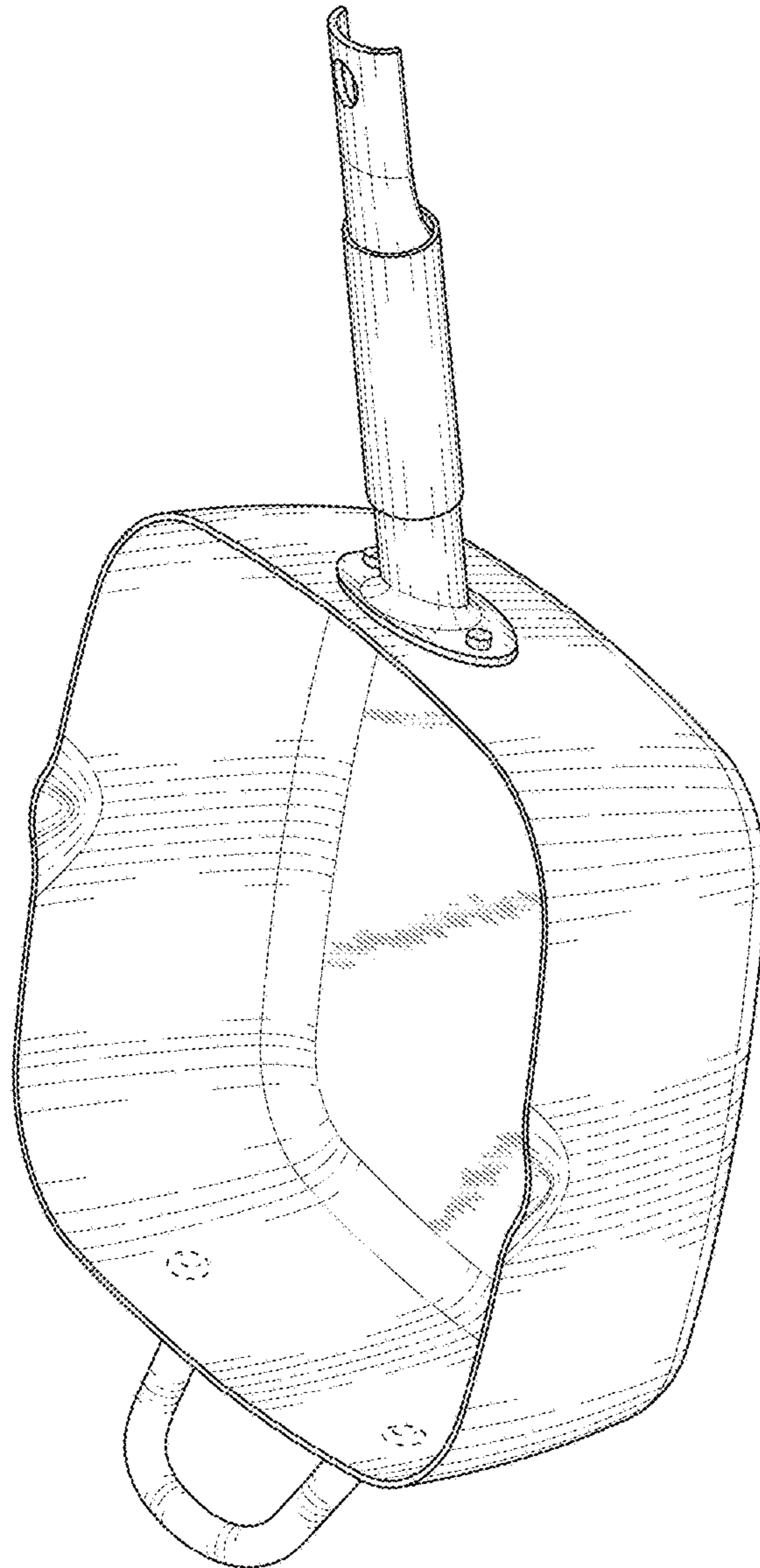


FIG. 1

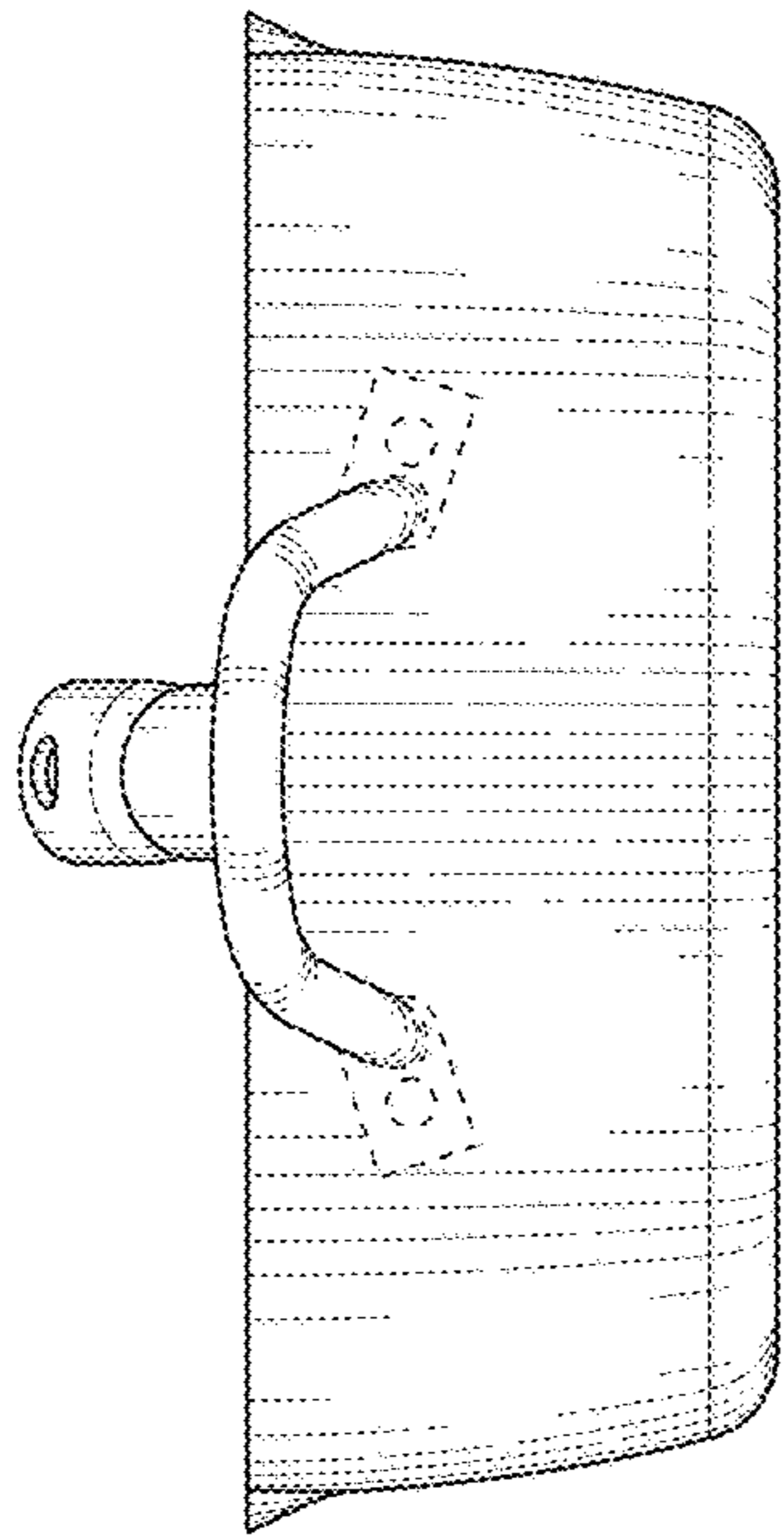


FIG. 2

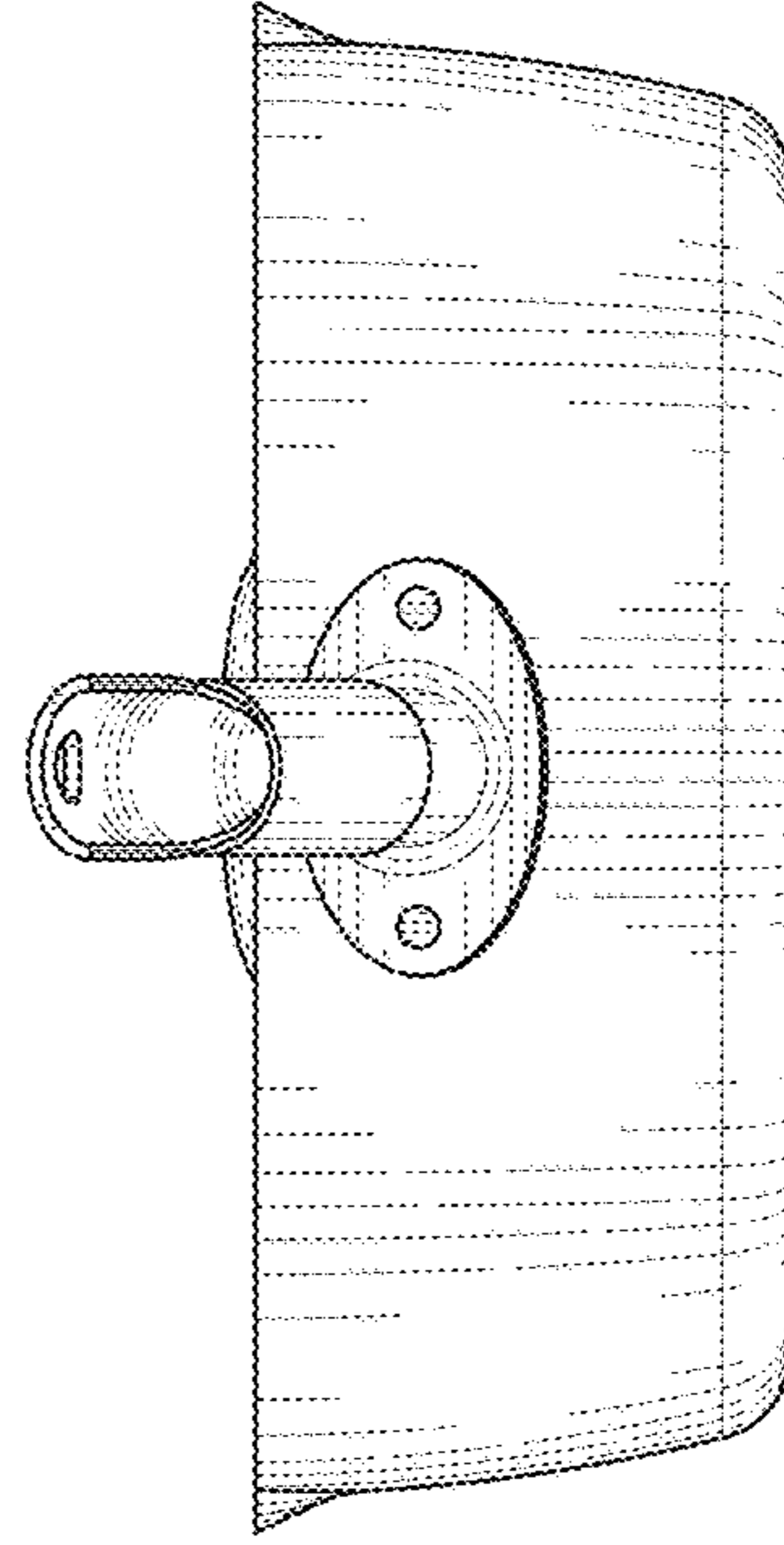


FIG. 3

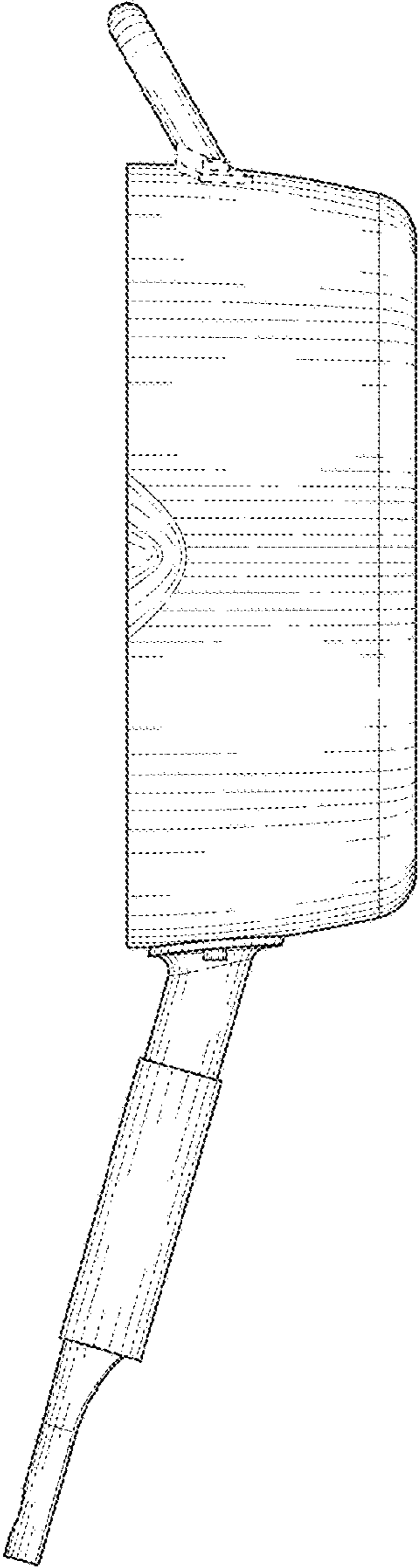


FIG. 4

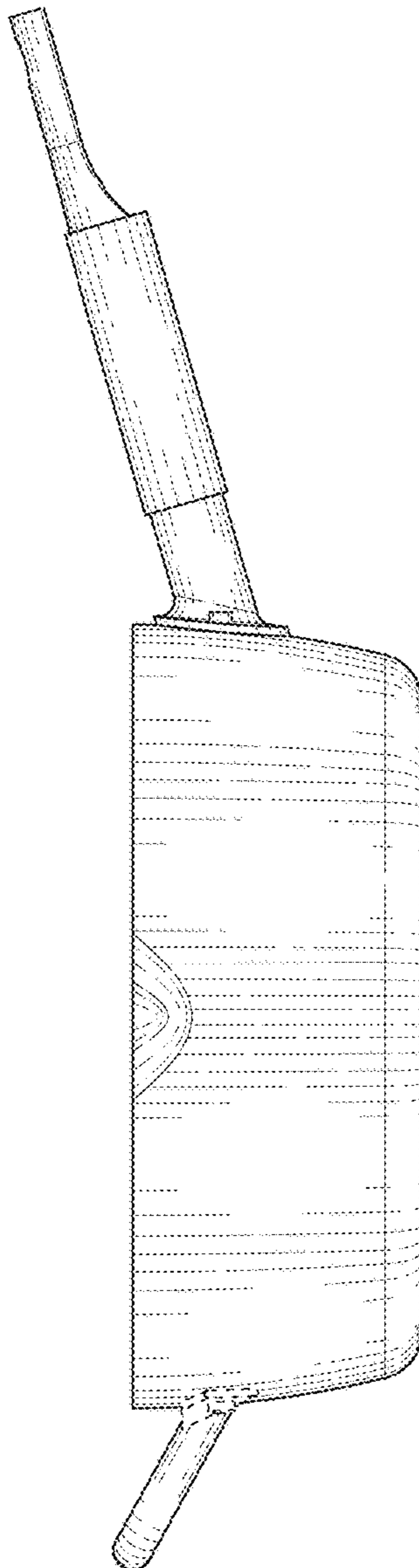


FIG. 5



FIG. 6

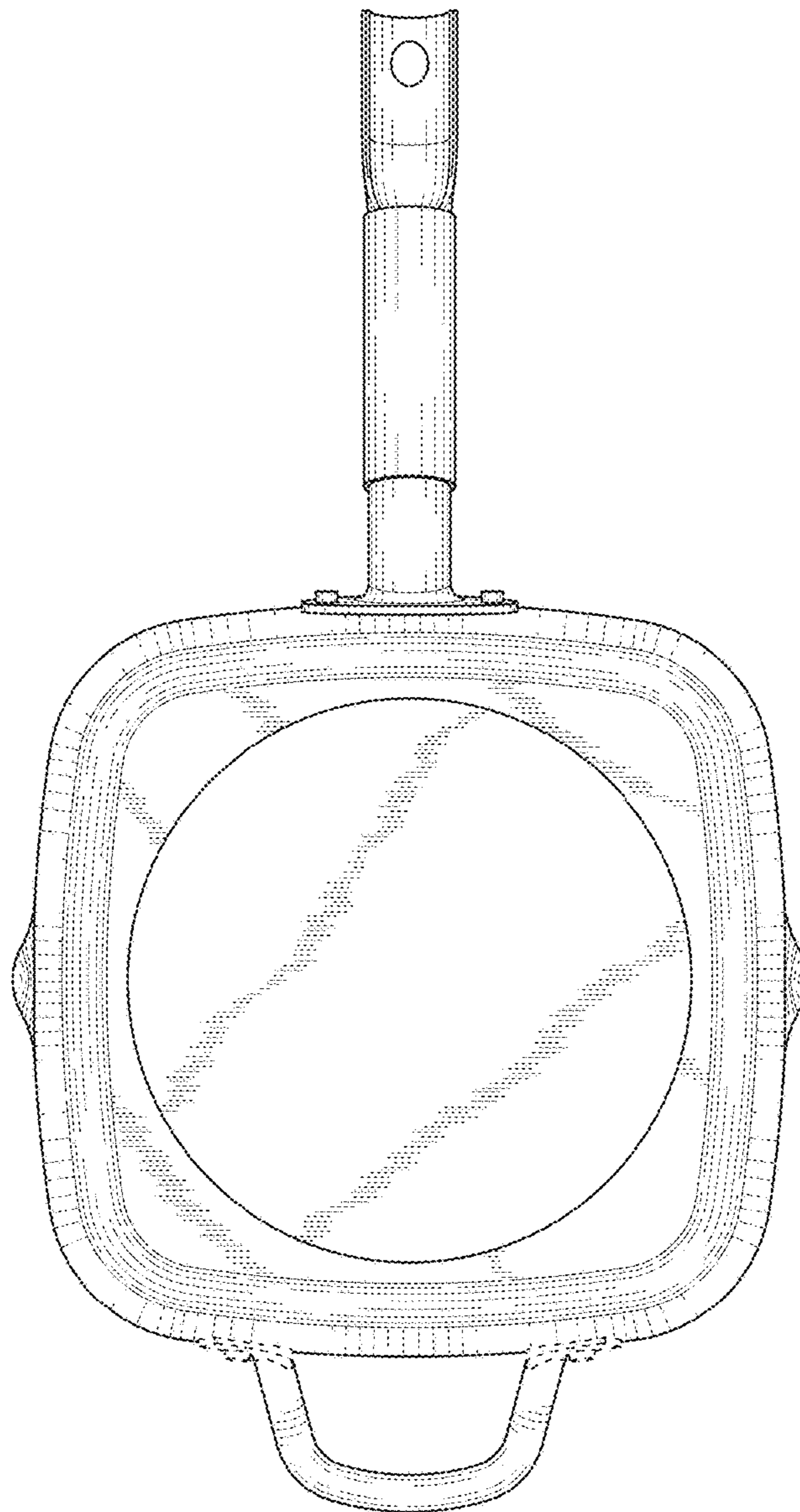


FIG. 7