

US00D869222S

(12) **United States Design Patent** (10) **Patent No.:** **US D869,222 S**
Carey et al. (45) **Date of Patent:** **** Dec. 10, 2019**

- (54) **COOKING DEVICE** D338,132 S * 8/1993 Chang A47J 36/20 D7/354
- (71) Applicant: **THE METAL WARE CORPORATION**, Two Rivers, WI (US) D368,828 S 4/1996 Thurlow
5,575,196 A 11/1996 Masel et al.
5,907,994 A 6/1999 Dotan
D431,149 S * 9/2000 Cooke D7/354
D438,422 S * 3/2001 Choi D7/355
- (72) Inventors: **Richard Carey**, Manitowoc, WI (US);
Ross Niemi, Two Rivers, WI (US) 6,199,473 B1 3/2001 Dotan et al.
6,279,465 B1 8/2001 English
D487,212 S 3/2004 Park
D560,424 S 1/2008 McLemore
D568,092 S 5/2008 Boes et al.
- (73) Assignee: **THE METAL WARE CORPORATION**, Two Rivers, WI (US) D618,039 S * 6/2010 Hoff D7/354
D618,040 S 6/2010 Hoff et al.

(Continued)

(**) Term: **15 Years**

Primary Examiner — Ricky Pham

(21) Appl. No.: **29/684,254**

(74) *Attorney, Agent, or Firm* — Seager, Tufte & Wickhem LLP

(22) Filed: **Mar. 19, 2019**

Related U.S. Application Data

(63) Continuation of application No. 29/621,793, filed on Oct. 11, 2017, now Pat. No. Des. 848,202.

(51) **LOC (12) Cl.** **07-02**

(52) **U.S. Cl.**
USPC **D7/354**

(58) **Field of Classification Search**
USPC D7/323, 354–361; D30/129
CPC .. A47J 27/00; A47J 27/04; A47J 27/05; A47J 27/08; A47J 27/09; A47J 27/092; A47J 36/025; A47J 36/06; A47J 36/08; A47J 36/10; A47J 36/12; A47J 36/20; A47J 37/12; A47J 37/1204; A47J 37/1209; H05B 6/02; H05B 6/06; H05B 6/12
See application file for complete search history.

(56) **References Cited**

U.S. PATENT DOCUMENTS

- 4,441,015 A 4/1984 Eichelberger et al.
- 5,181,455 A 1/1993 Masel et al.

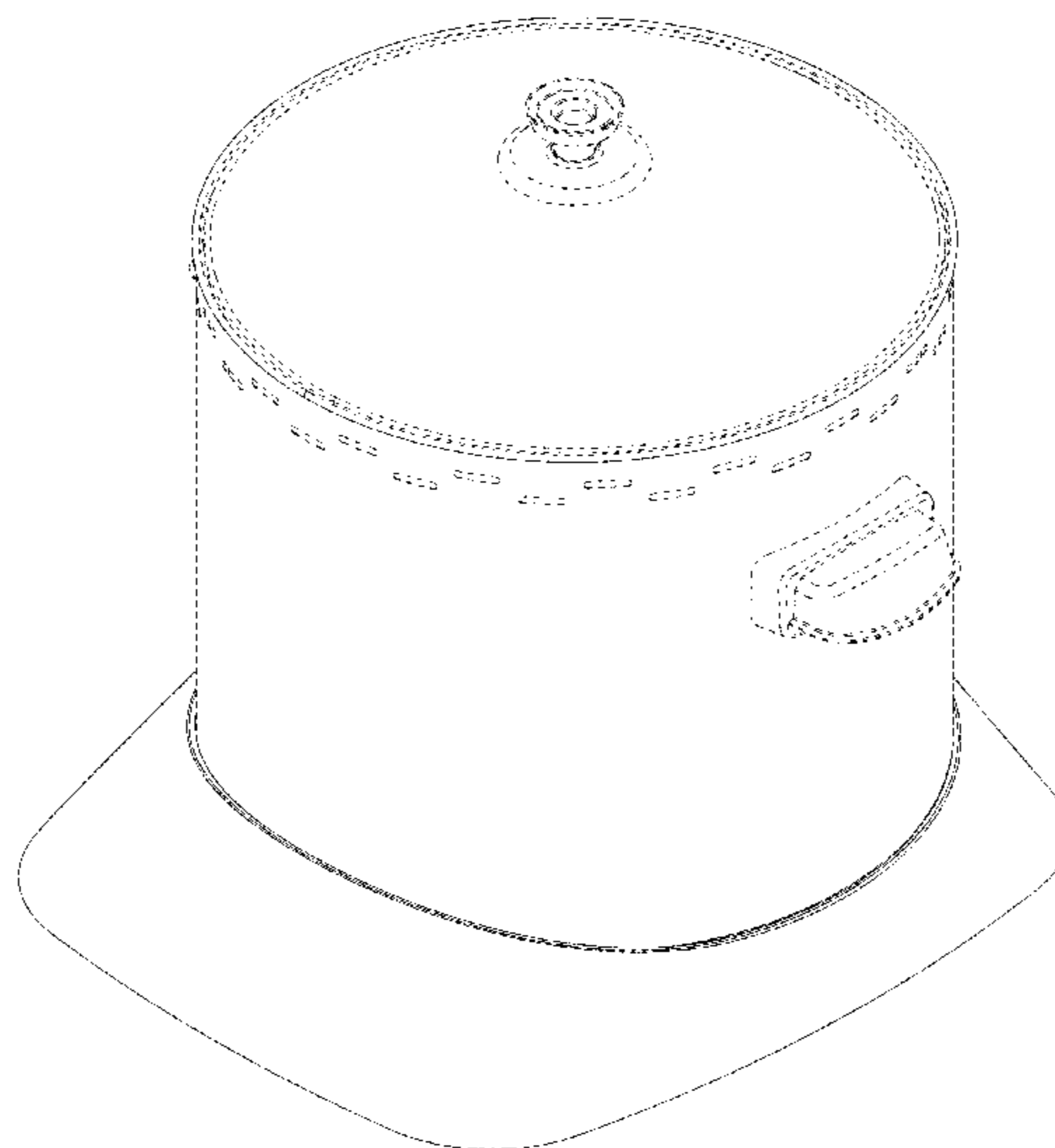
(57) **CLAIM**

The ornamental design of a cooking device, as shown and described.

DESCRIPTION

FIG. 1 is a top perspective view of an embodiment of a cooking device;
FIG. 2 is a front side view of the cooking device of FIG. 1;
FIG. 3 is a back side view of the cooking device of FIG. 1;
FIG. 4 is a left side view of the cooking device of FIG. 1;
FIG. 5 is a right side view of the cooking device of FIG. 1;
FIG. 6 is a top side view of the cooking device of FIG. 1; and,
FIG. 7 is a bottom side view of the cooking device of FIG. 1.
The portions illustrated in broken lines on the figures, if any, are for illustrative purposes only and form no part of the claimed design.

1 Claim, 7 Drawing Sheets



(56)

References Cited

U.S. PATENT DOCUMENTS

D666,272	S	8/2012	Shi et al.	
8,890,037	B2	11/2014	Best	
D761,613	S	7/2016	Moon et al.	
D791,526	S	7/2017	Rose et al.	
D794,380	S	8/2017	Rodriguez	
D797,492	S *	9/2017	Shieh	D7/354
D801,105	S	10/2017	Sandberg	
D828,647	S *	9/2018	Bergeron	D30/129
D848,202	S *	5/2019	Carey	D7/360
2001/0042753	A1	11/2001	Park	
2009/0095169	A1	4/2009	York	
2011/0260023	A1	10/2011	Braun	
2015/0196153	A1 *	7/2015	Sykes	A47J 36/20 210/256

* cited by examiner

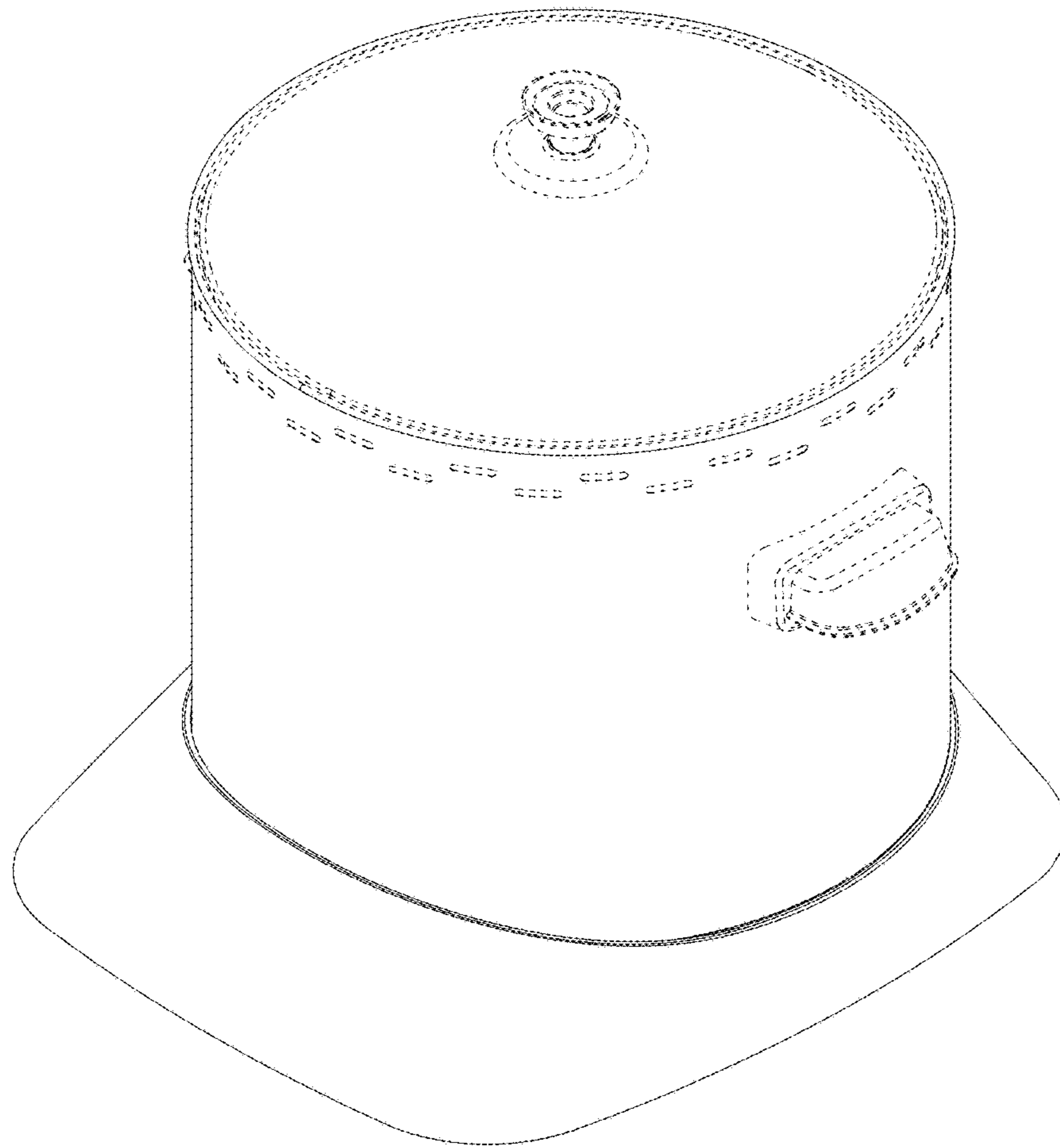


Figure 1

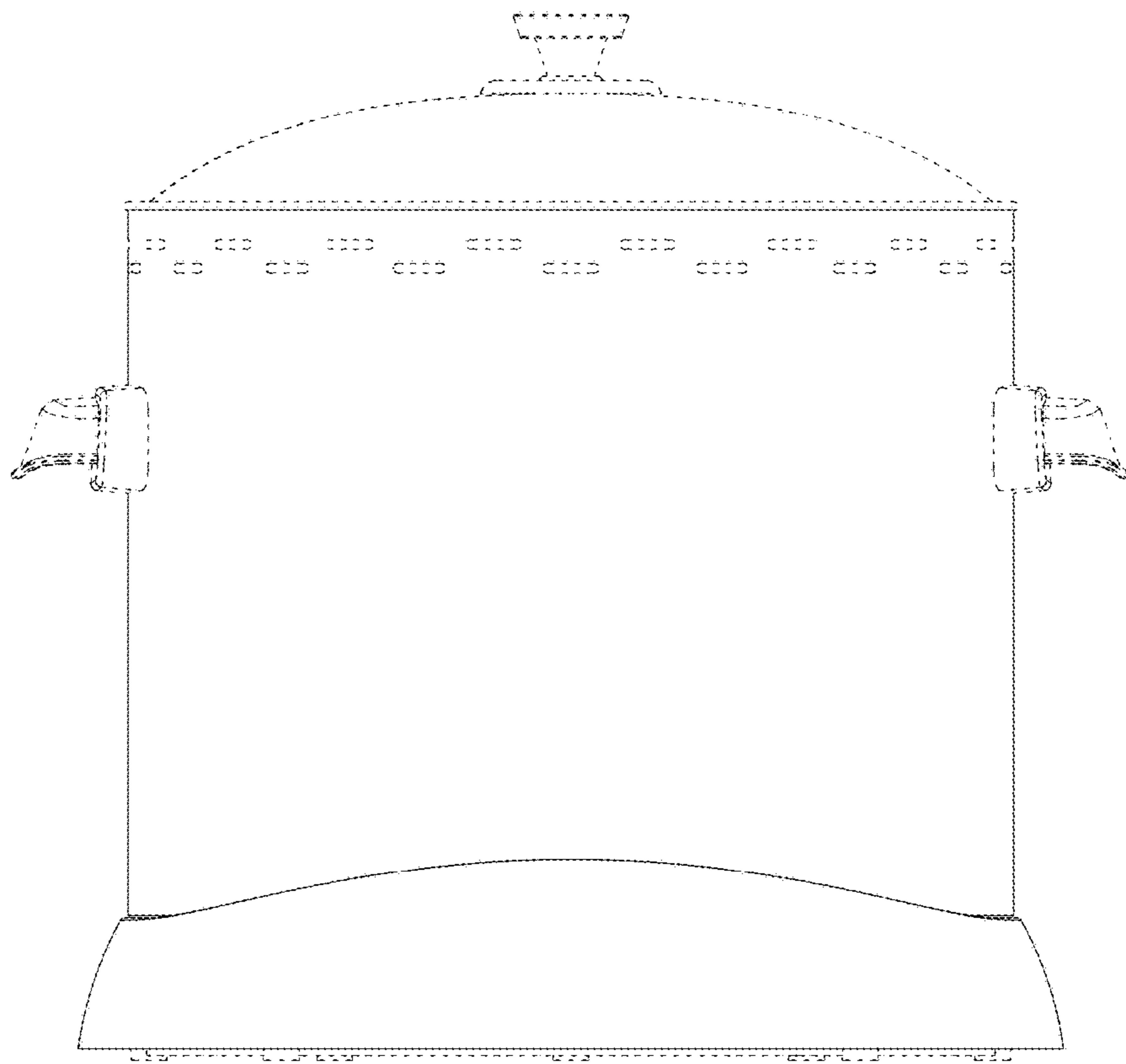


Figure 2

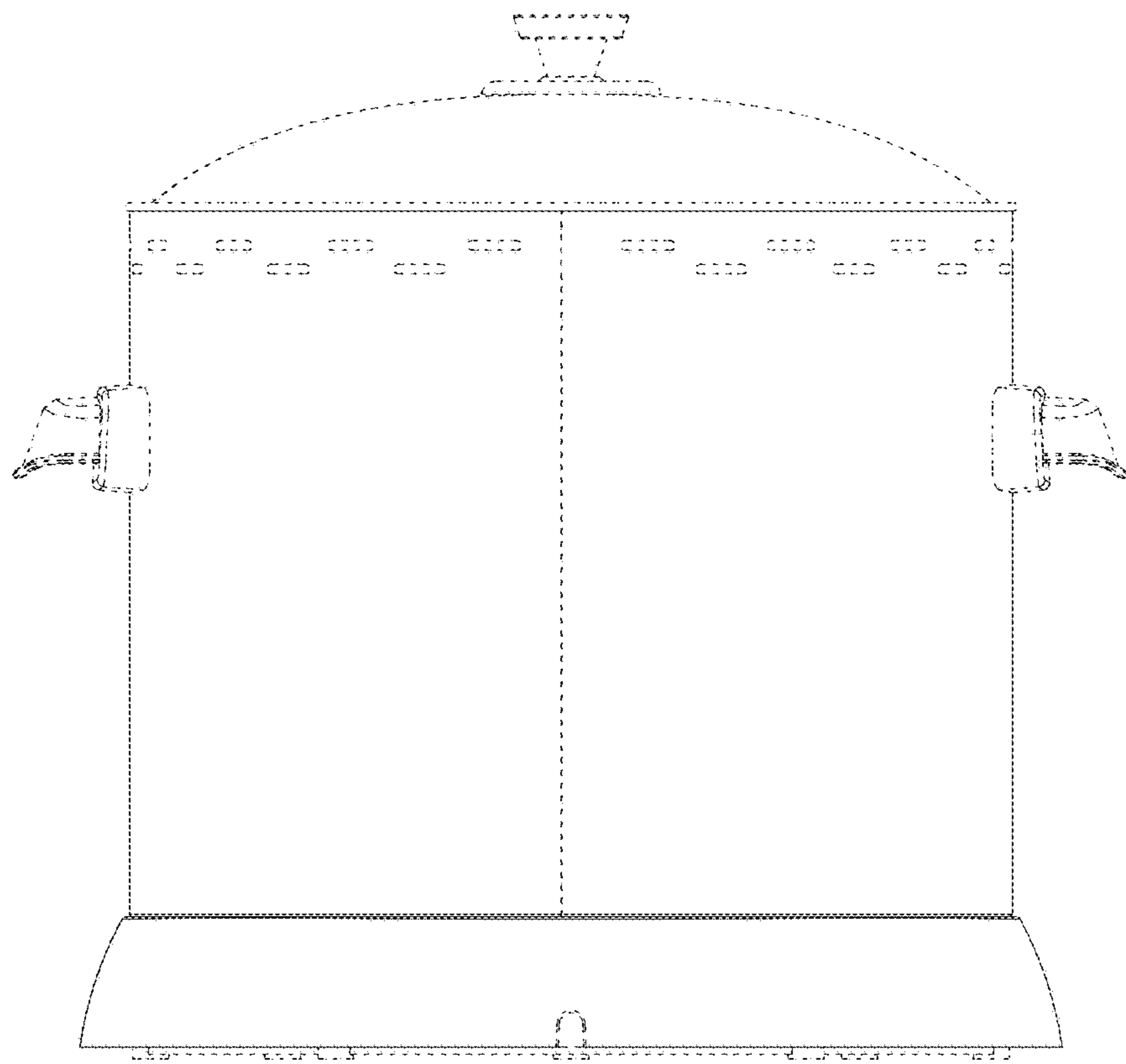


Figure 3

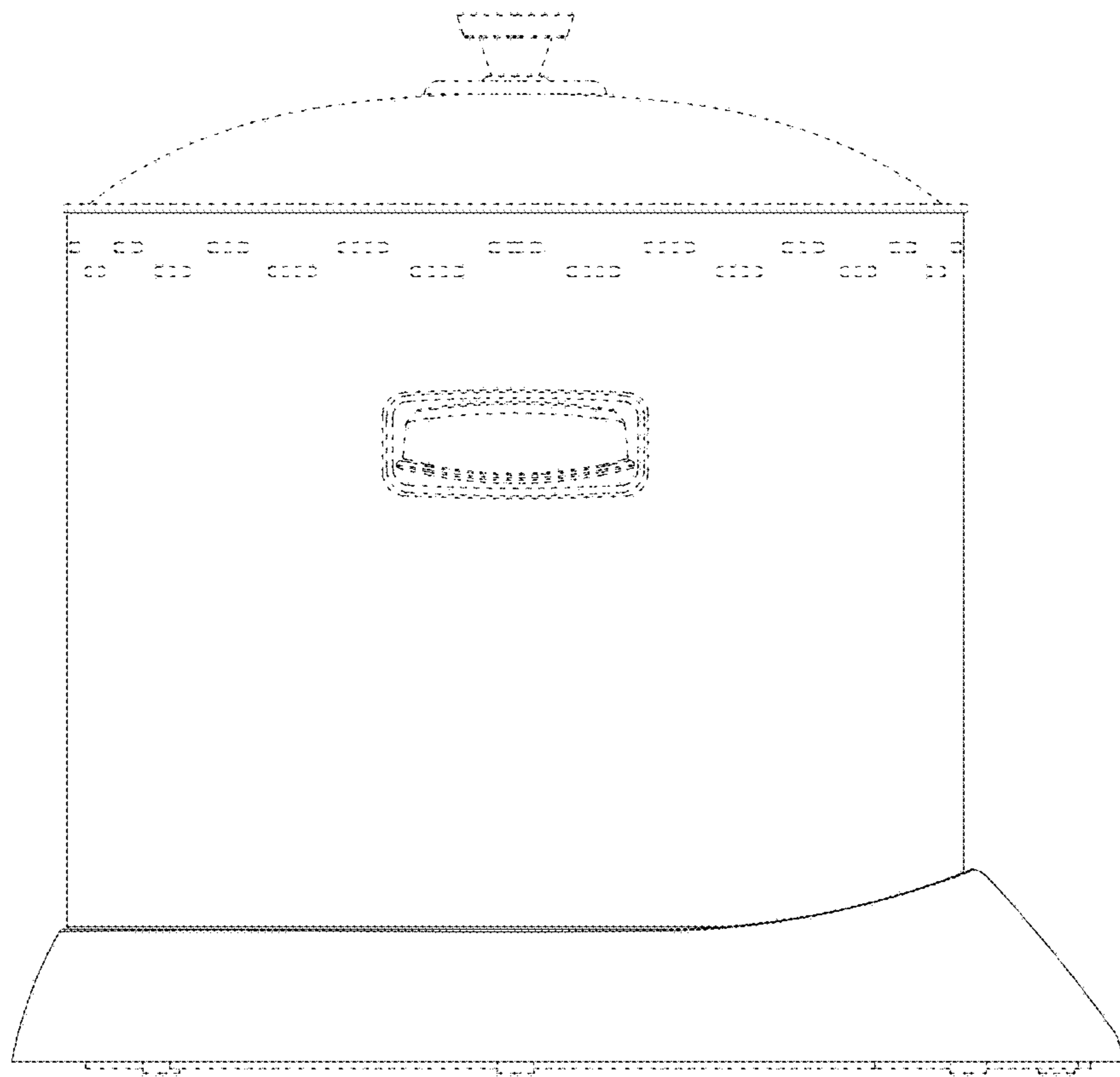


Figure 4

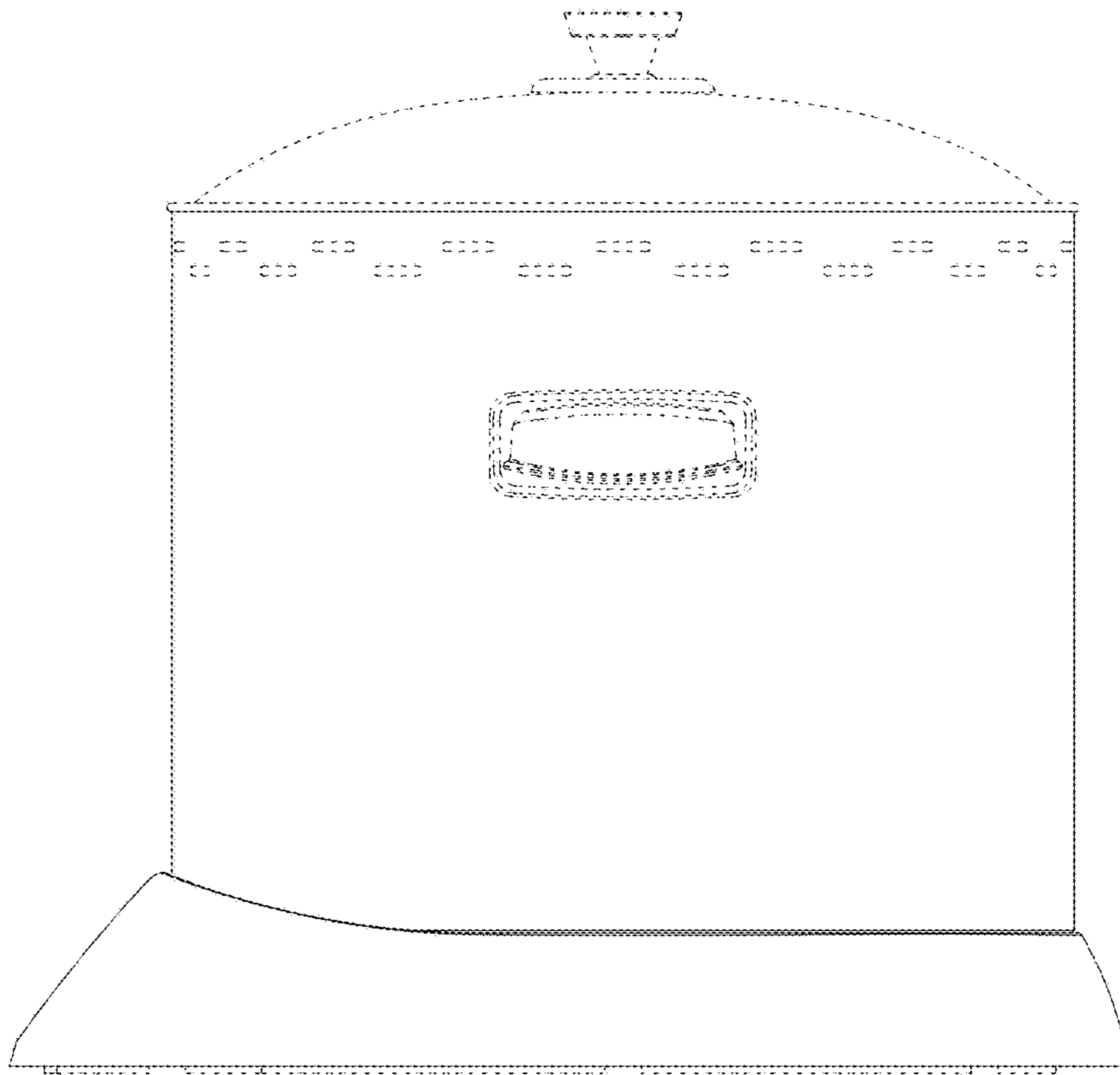


Figure 5

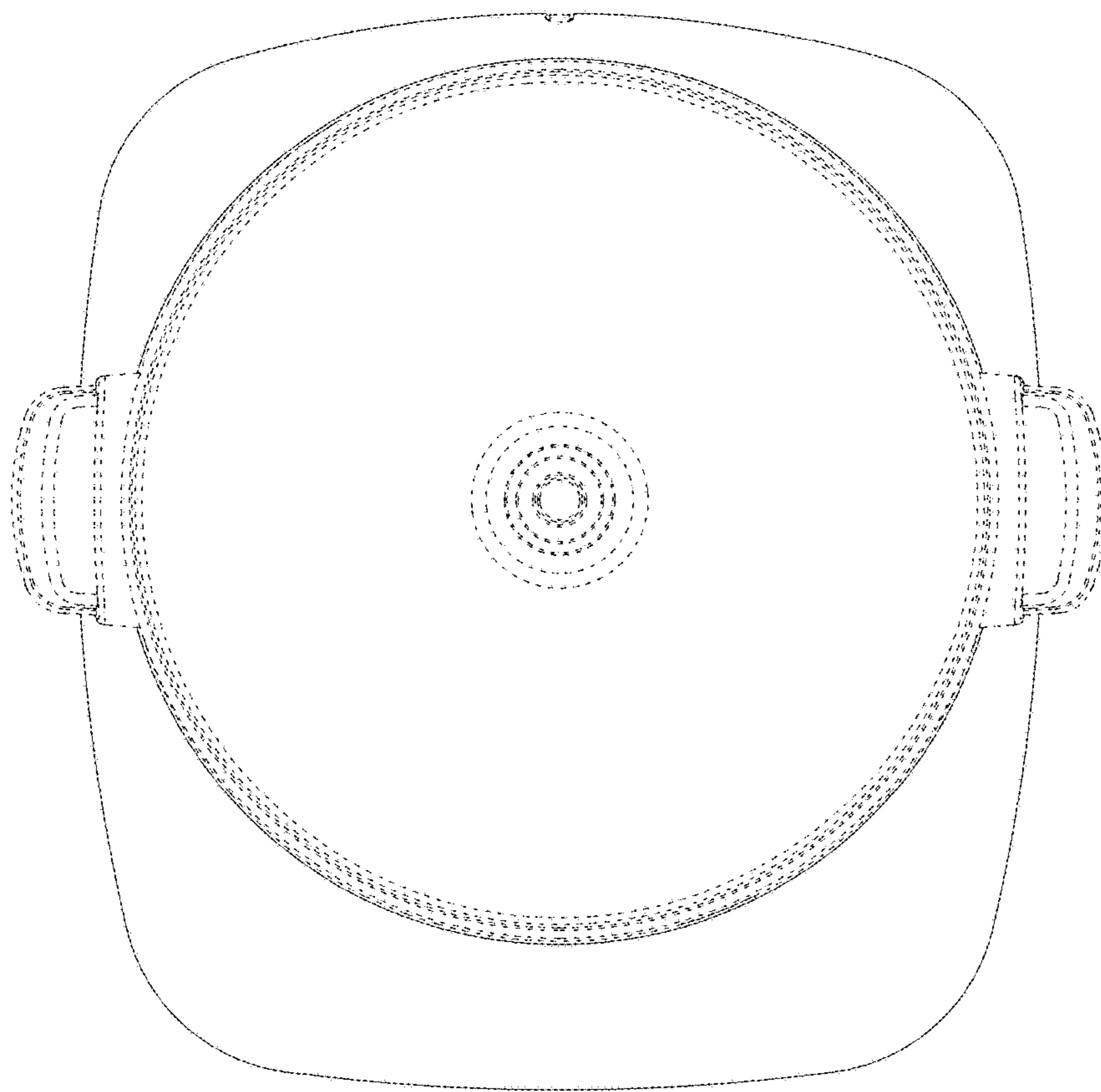


Figure 6

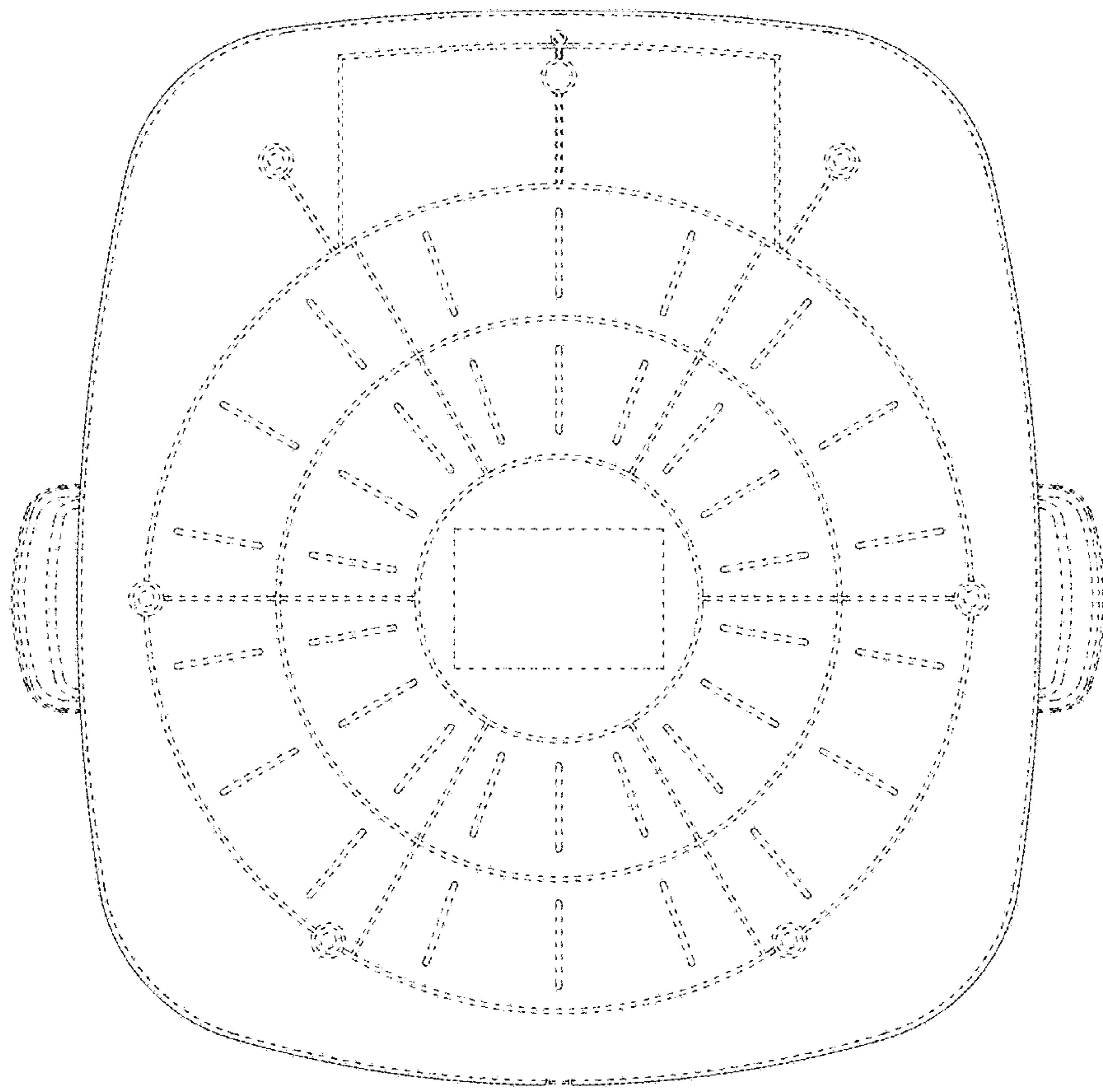


Figure 7