

US00D869220S

(12) **United States Design Patent** (10) **Patent No.:** **US D869,220 S**  
**Szymanski et al.** (45) **Date of Patent:** **\*\* Dec. 10, 2019**

(54) **CONTAINER**

(71) Applicants: **Aaron Szymanski**, Thomaston, CT (US); **Lori Ann Lombardo**, East Hanover, NJ (US); **Lana Rascionato**, Totowa, NJ (US)

(72) Inventors: **Aaron Szymanski**, Thomaston, CT (US); **Lori Ann Lombardo**, East Hanover, NJ (US); **Lana Rascionato**, Totowa, NJ (US)

(73) Assignee: **Idea Village Products Corp.**, Wayne, NJ (US)

(\*\*) Term: **15 Years**

(21) Appl. No.: **29/651,182**

(22) Filed: **Feb. 5, 2018**

(51) **LOC (12) Cl.** ..... **07-02**

(52) **U.S. Cl.**  
USPC ..... **D7/354; D7/357**

(58) **Field of Classification Search**  
 USPC ..... D7/323, 334, 354–361, 391, 500, 503;  
 D9/643; D10/40; D21/684; D26/98  
 CPC .... A01K 41/02; A01K 41/023; A01K 41/026;  
 A01K 41/06; A21B 5/02; A21B 5/026;  
 A21B 5/04; A23B 5/00; A23B 5/005;  
 A23B 5/0052; A47G 19/28; A47J 27/00;  
 A47J 27/004; A47J 29/00; A47J 29/02;  
 A47J 29/04; A47J 29/06; A47J 36/025;  
 A47J 36/06; A47J 36/12

See application file for complete search history.

(56) **References Cited**

U.S. PATENT DOCUMENTS

D276,705	S	*	12/1984	Oliveri .....	A47G 19/28
					D10/40
5,287,979	A	*	2/1994	Bourgeois .....	A47G 19/28
					206/509
D370,704	S	*	6/1996	Oberhoff .....	D21/684
D615,807	S	*	5/2010	Creel .....	D7/354
D662,351	S	*	6/2012	Browning .....	D7/354
D668,096	S	*	10/2012	Simms, II .....	D7/334
D737,136	S	*	8/2015	Lam .....	D9/643
D738,028	S	*	9/2015	Wu .....	D26/98
D789,138	S	*	6/2017	LeCheminant .....	D7/354
D829,497	S	*	10/2018	Kilicarslan .....	D7/391
D848,779	S	*	5/2019	Szymanski .....	D7/357
D848,780	S	*	5/2019	Lombardo .....	D7/357
D856,061	S	*	8/2019	Lombardo .....	D7/357

\* cited by examiner

*Primary Examiner* — Ricky Pham

(74) *Attorney, Agent, or Firm* — Dan DeLa Rosa

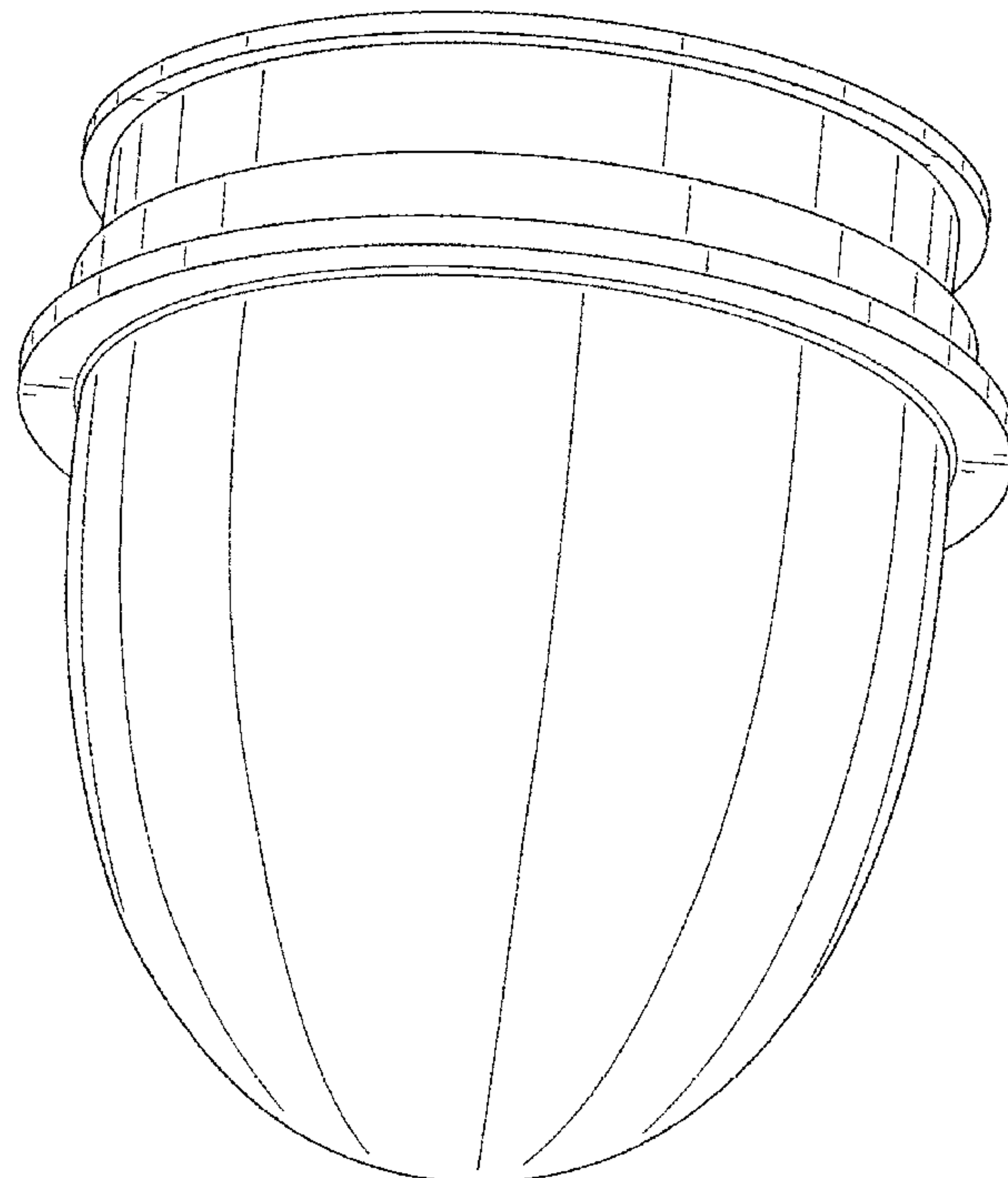
(57) **CLAIM**

The ornamental design for a container, as shown and described.

**DESCRIPTION**

FIG. 1 is a front perspective view of a container of the present invention showing our new design;  
 FIG. 2 is a front side elevation view thereof;  
 FIG. 3 is back side elevation view thereof;  
 FIG. 4 is a side elevation view thereof;  
 FIG. 5 is another side elevation view thereof  
 FIG. 6 is a top plan view thereof; and,  
 FIG. 7 is a bottom plan view thereof.

**1 Claim, 7 Drawing Sheets**



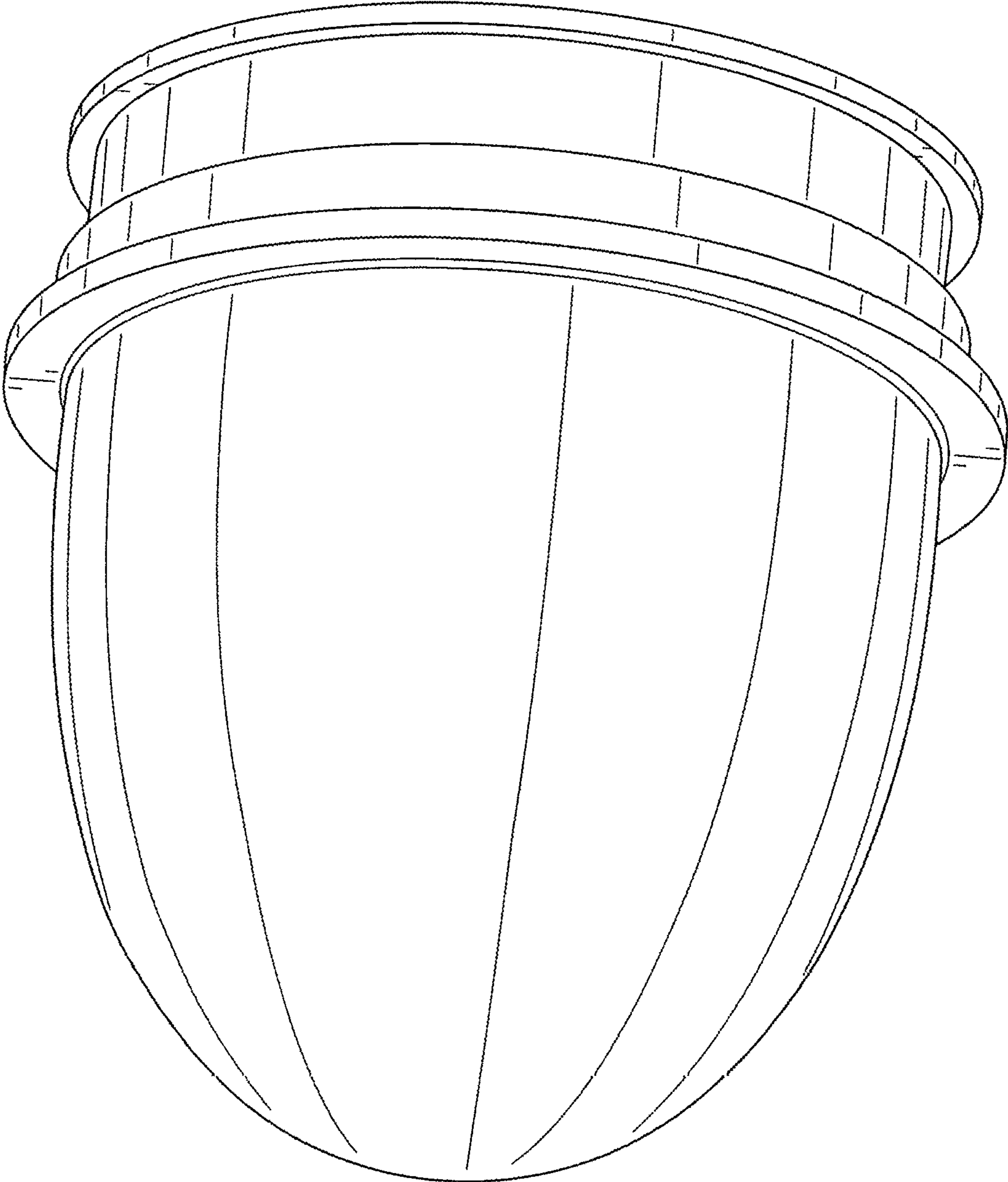


FIG. 1

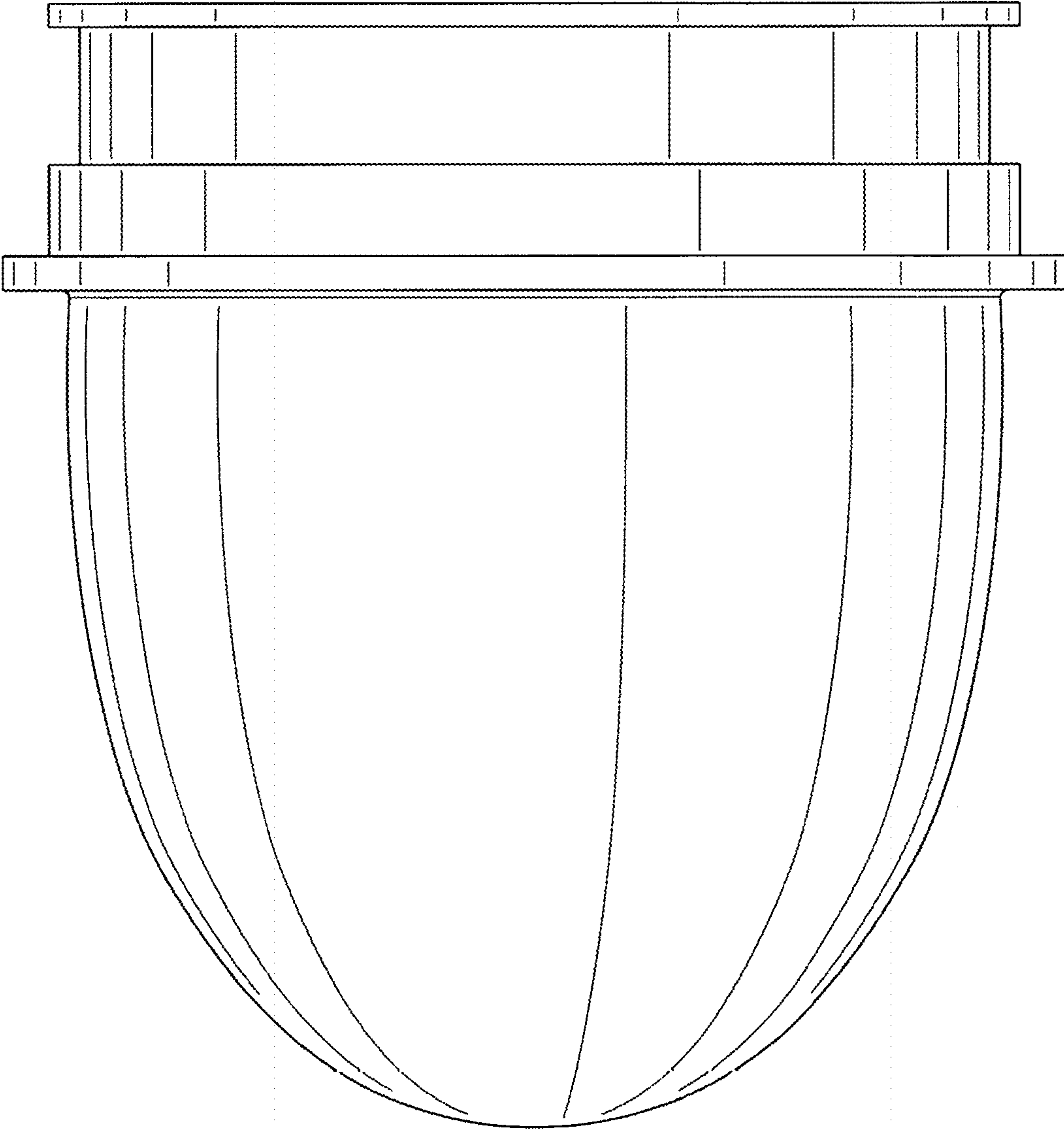


FIG. 2

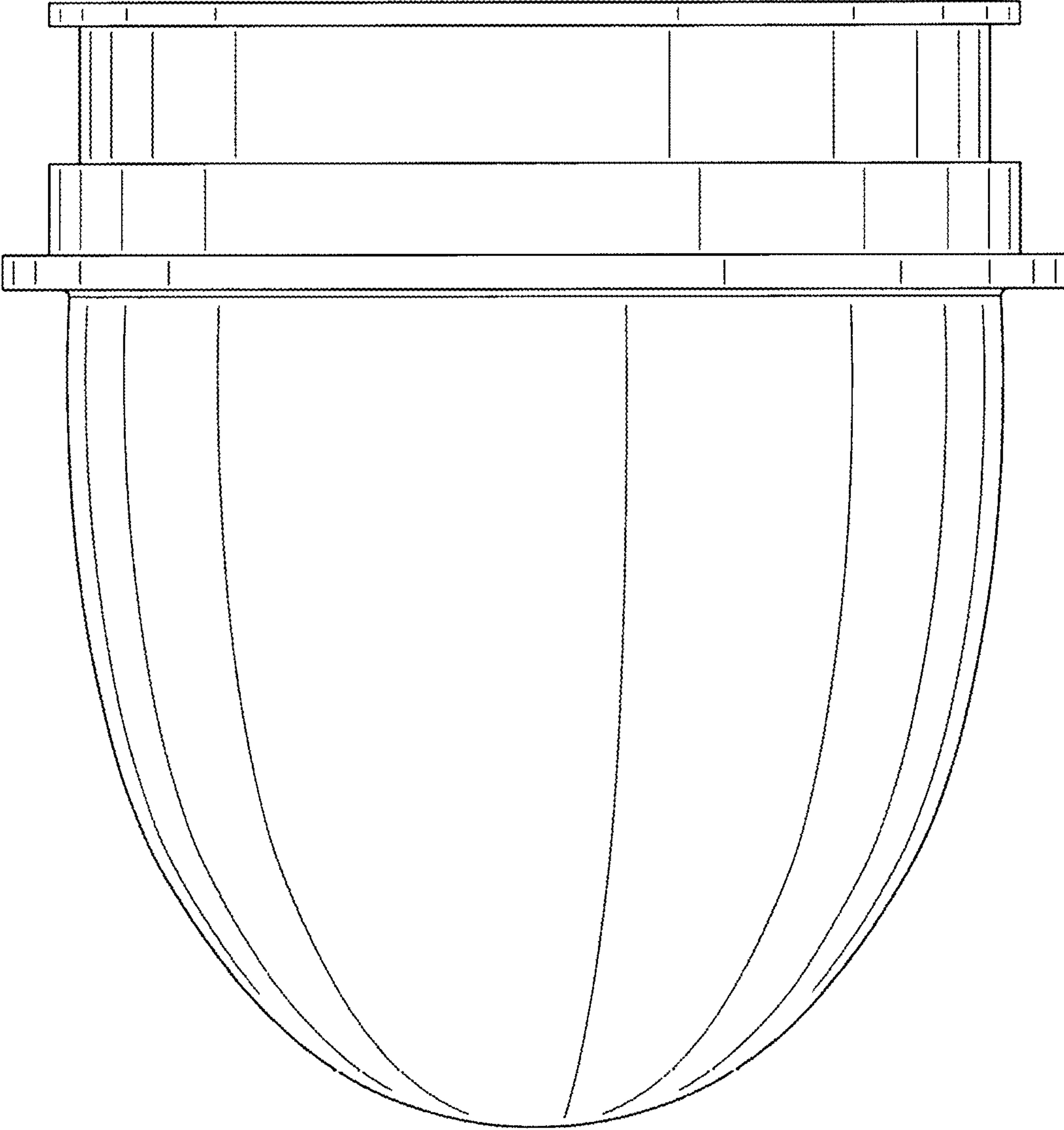


FIG. 3

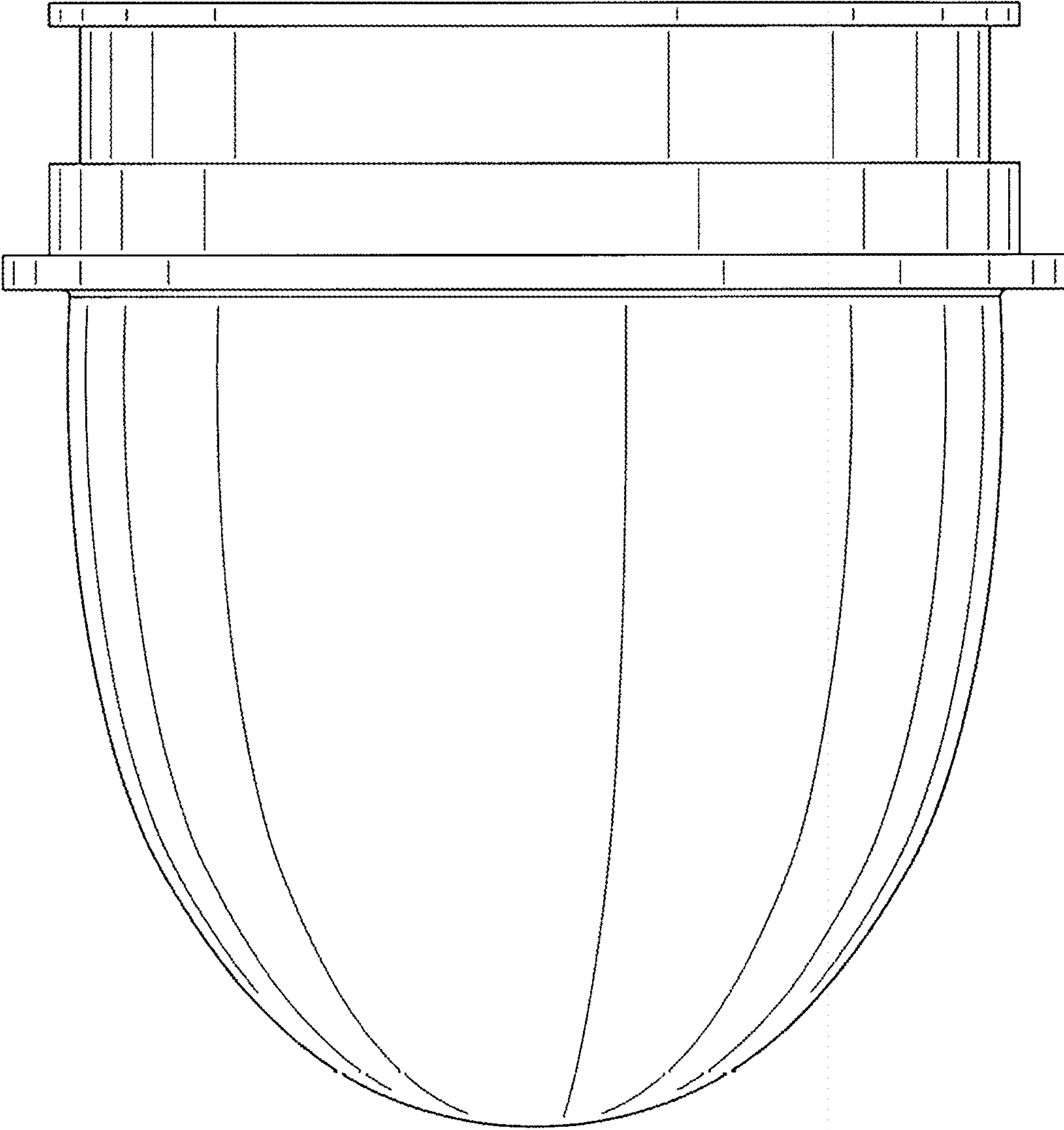


FIG. 4



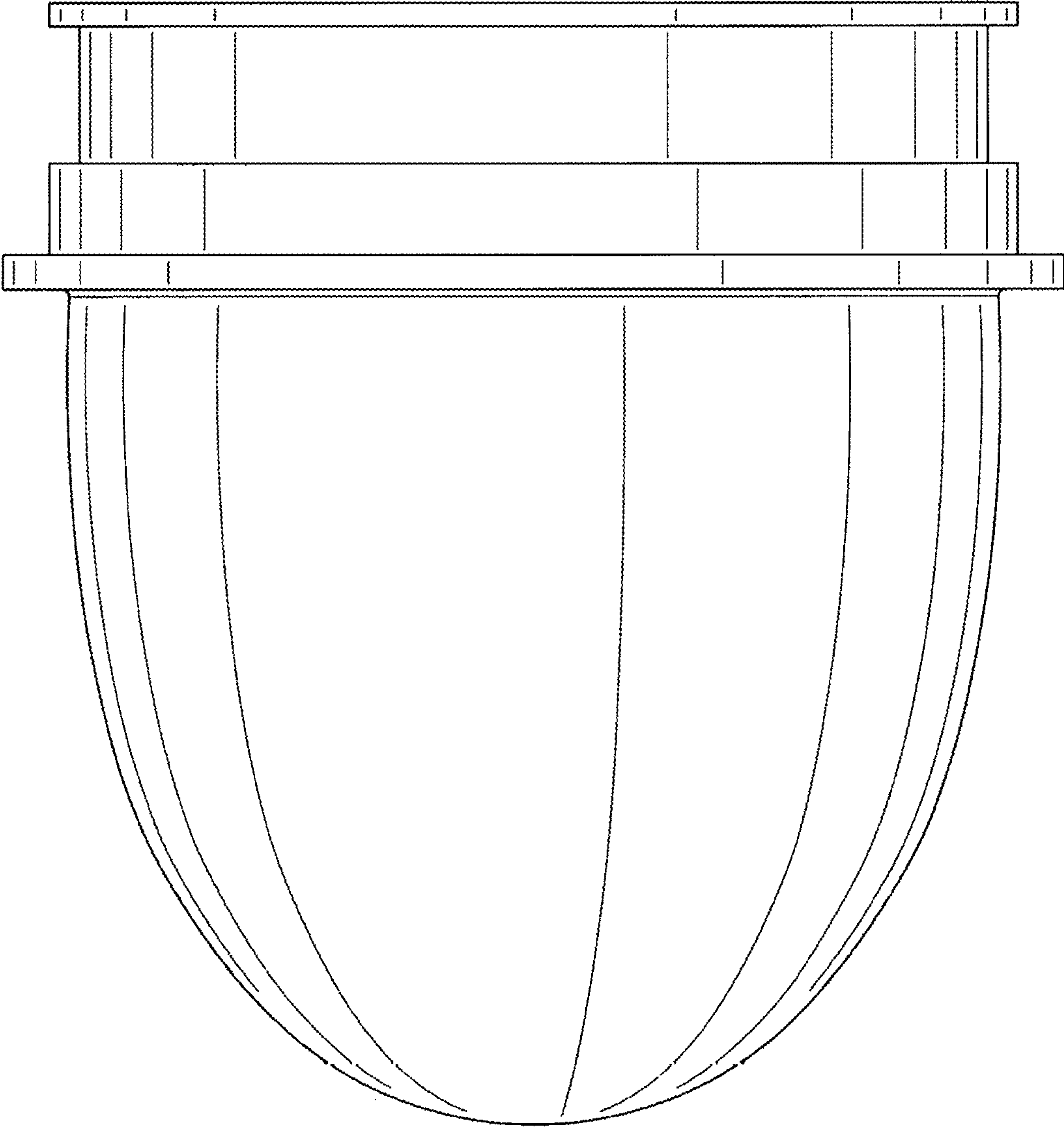


FIG. 5

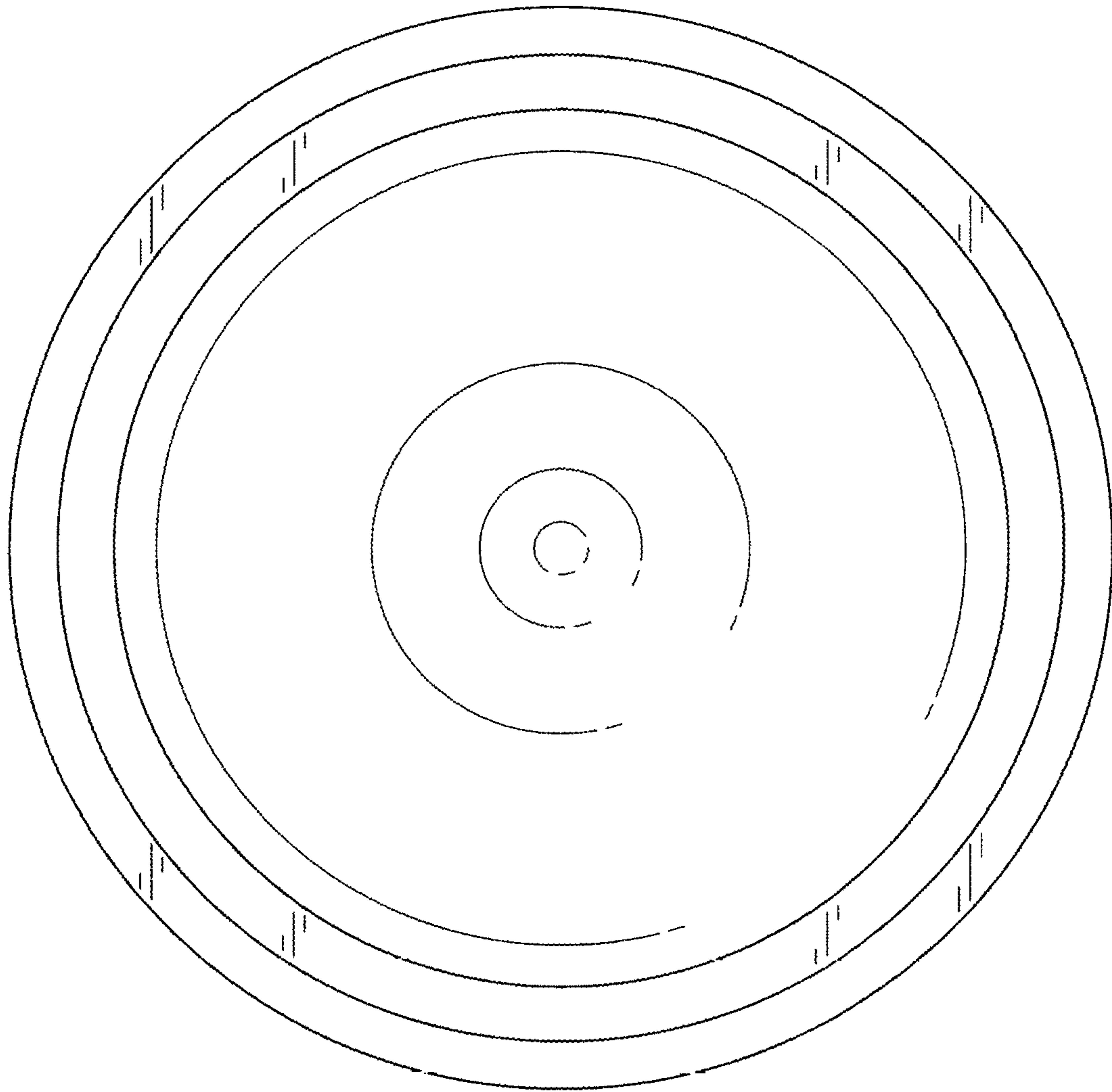


FIG. 6

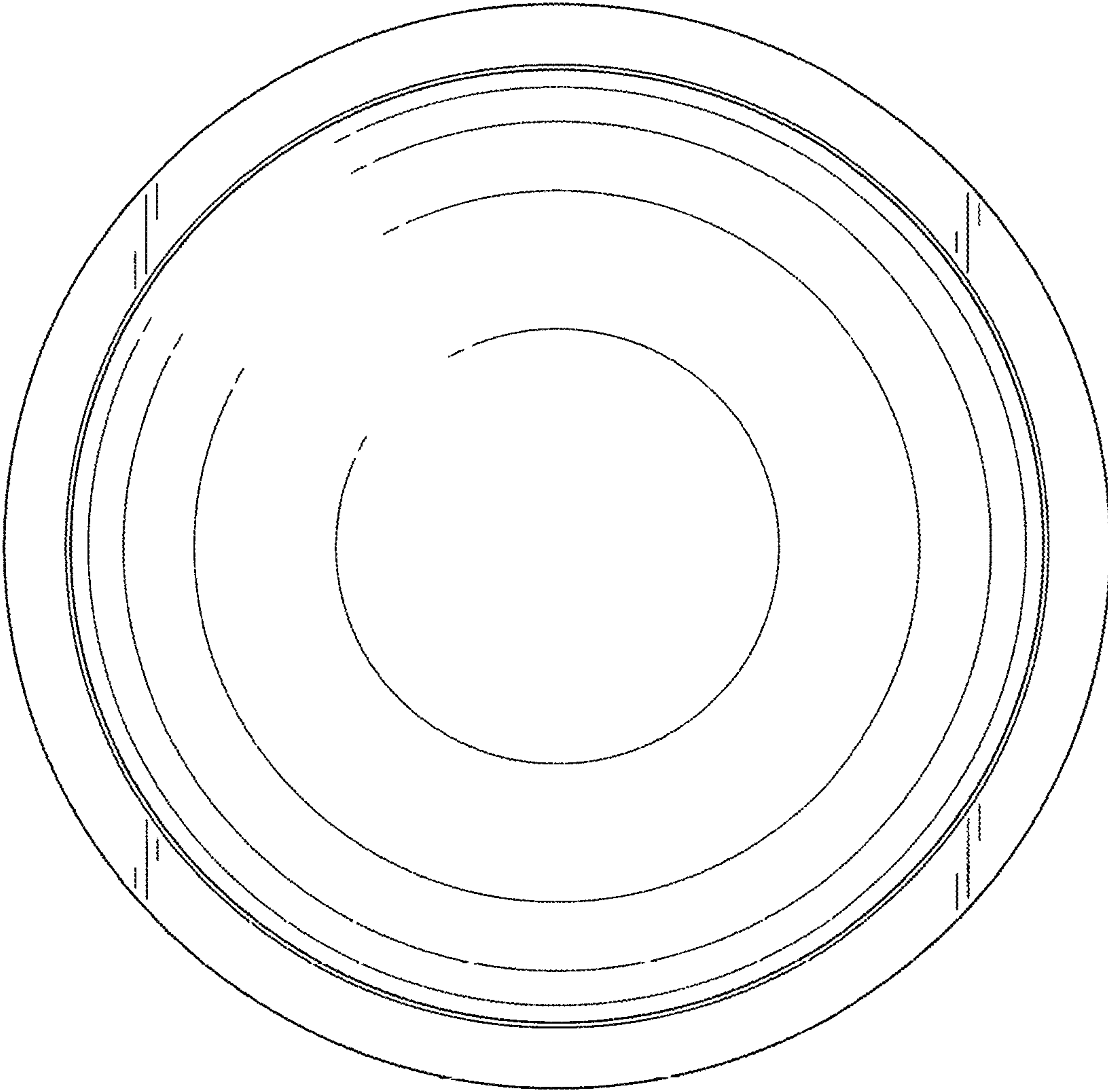


FIG. 7