



US00D869219S

(12) **United States Design Patent** (10) **Patent No.:** **US D869,219 S**  
**Lim et al.** (45) **Date of Patent:** **\*\* Dec. 10, 2019**

(54) **BUILT-IN GRIDDLE**

(56) **References Cited**

(71) Applicant: **LG ELECTRONICS INC.**, Seoul (KR)

U.S. PATENT DOCUMENTS

(72) Inventors: **Jaemyung Lim**, Seoul (KR); **Inhwan Ryu**, Seoul (KR); **Yoonji Lee**, Seoul (KR); **Hanjin Jung**, Seoul (KR); **Sangwoog Cho**, Seoul (KR)

D296,509	S	*	7/1988	Fuke	.....	D7/363
D463,212	S	*	9/2002	Hwang	.....	D7/402
D522,311	S	*	6/2006	Kanza	.....	D7/405
D568,672	S	*	5/2008	Craig	.....	D7/346
D609,966	S	*	2/2010	Bengtson	.....	D7/405
8,141,479	B2	*	3/2012	Ellersiek	.....	A47J 37/0676 99/340
D686,036	S	*	7/2013	Nelson	.....	D7/407
D704,979	S	*	5/2014	Nordwall	.....	D7/346
D710,148	S	*	8/2014	Mainville	.....	D7/337
D760,024	S	*	6/2016	Funnell, II	.....	D7/405
D827,359	S	*	9/2018	Kim	.....	D7/346
D831,411	S	*	10/2018	Bassill	.....	D7/367
2010/0101557	A1	*	4/2010	Gasparini	.....	F23D 14/065 126/39 E

(73) Assignee: **LG ELECTRONICS INC.**, Seoul (KR)

(\*\*) Term: **15 Years**

(21) Appl. No.: **35/505,334**

\* cited by examiner

(22) Filed: **Jan. 19, 2018**

*Primary Examiner* — Sheryl Lane

(80) **Hague Agreement Data**

*Assistant Examiner* — Nicole C Shiflet

Int. Filing Date: **Jan. 19, 2018**

(74) *Attorney, Agent, or Firm* — Birch, Stewart, Kolasch & Birch, LLP

Int. Reg. No.: **DM/099547**

Int. Reg. Date: **Jan. 19, 2018**

Int. Reg. Pub. Date: **Jul. 20, 2018**

(57) **CLAIM**

The ornamental design for a built-in griddle, as shown and described.

(30) **Foreign Application Priority Data**

**DESCRIPTION**

Jul. 21, 2017 (KR) ..... 30-2017-0033808

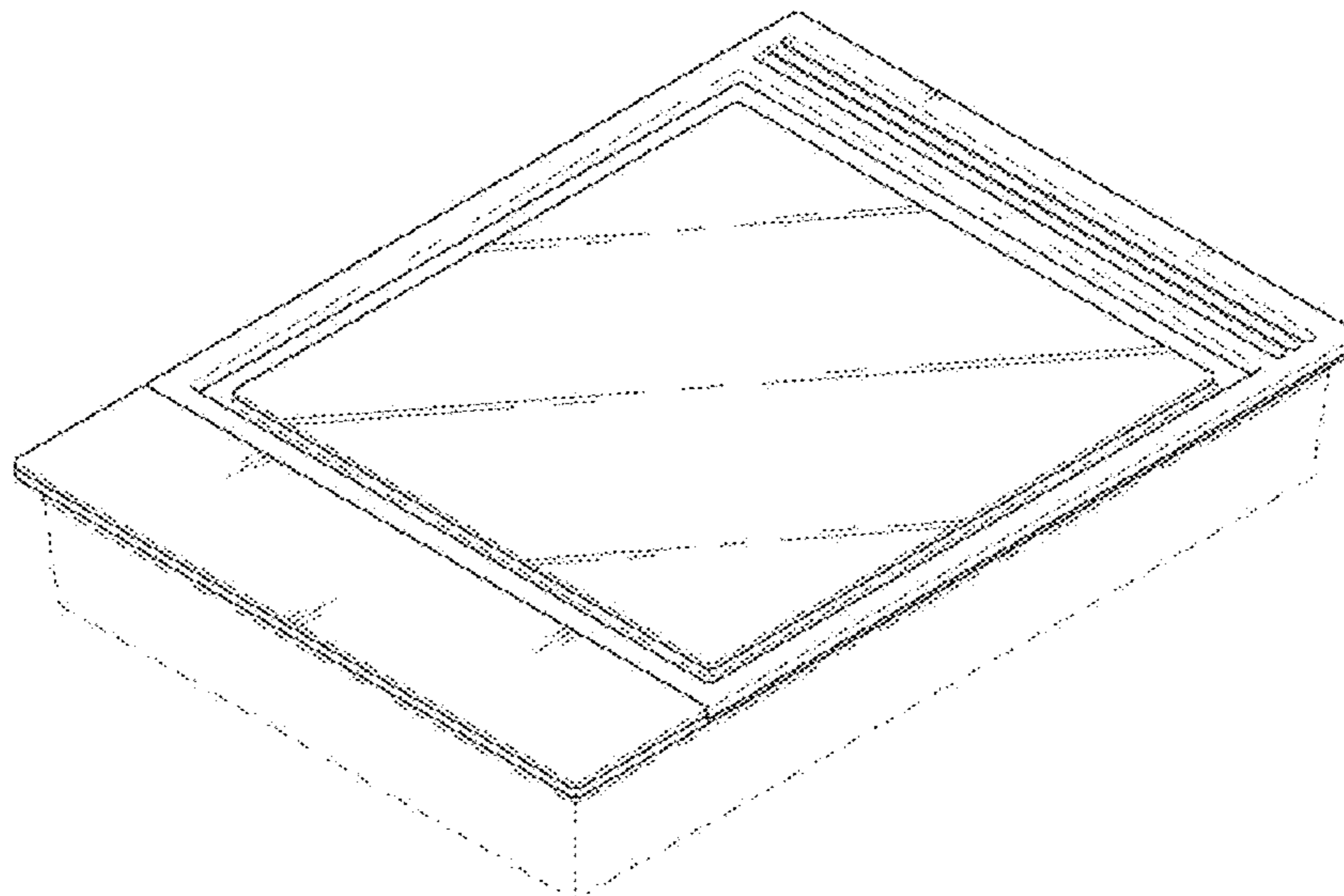
(51) **LOC (12) Cl.** ..... **07-02**

(52) **U.S. Cl.**  
USPC ..... **D7/346**

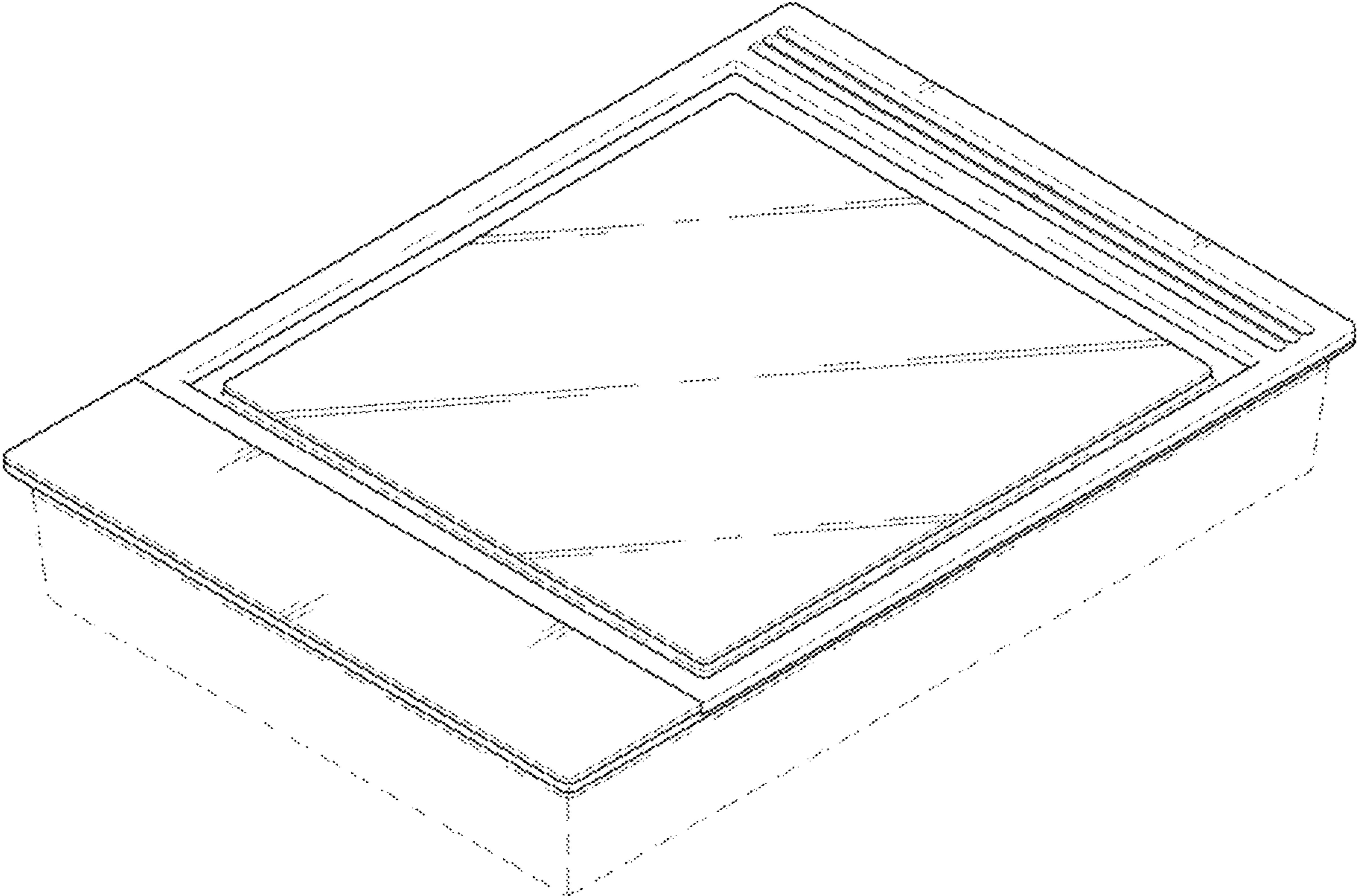
(58) **Field of Classification Search**  
USPC ..... D7/402-407, 346-349, 323, 339-340,  
D7/350.1-350.4, 351, 332  
CPC ..... H05B 1/0261; H05B 1/0263; F24C 3/00;  
F24C 3/002; F24C 5/00; F24C 7/00;  
F24C 15/02  
See application file for complete search history.

1. Built-in griddle  
1.1 is a front perspective view of a built-in griddle;  
1.2 is a front view thereof;  
1.3 is a back view thereof;  
1.4 is a left view thereof where the right view is a mirror image;  
1.5 is a top view thereof; and  
1.6 is a bottom view thereof.  
The dash-dash broken lines depict portions of the built-in griddle that form no part of the claimed design. The dash-dot broken lines define the boundary of the claimed design and form no part thereof.

**1 Claim, 6 Drawing Sheets**



1.1



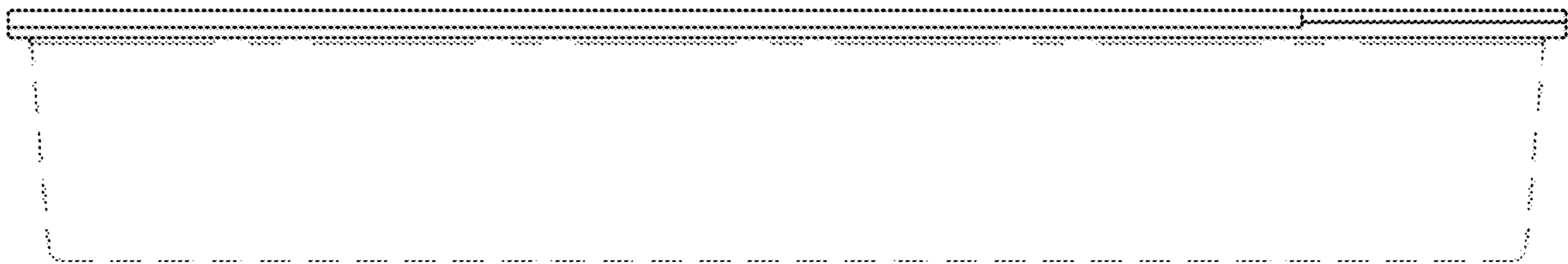
**1.2**



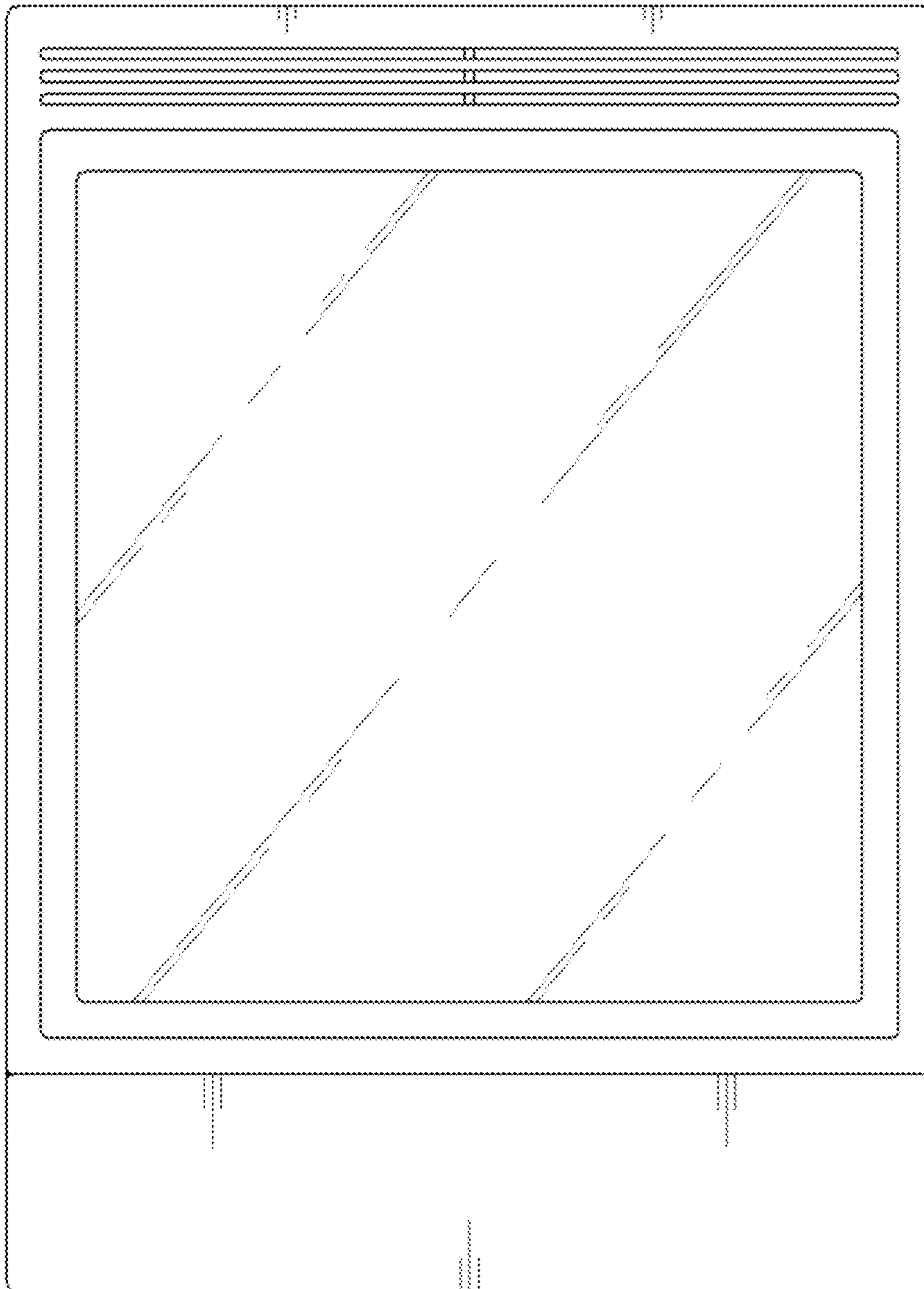
1.3



1.4



1.5



**1.6**

