

US00D869218S

(12) **United States Design Patent** (10) **Patent No.:** **US D869,218 S**
Graves et al. (45) **Date of Patent:** **** Dec. 10, 2019**

(54) **BARREL COOKER**

FOREIGN PATENT DOCUMENTS

(71) Applicant: **Barrel House Cooker, LLC**,
Bakersfield, CA (US)

CA 1072762 A 5/1980
DE 3631372 A1 3/1988

(Continued)

(72) Inventors: **Brian Graves**, Bakersfield, CA (US);
Crispin Mercado, Bakersfield, CA
(US)

OTHER PUBLICATIONS

(73) Assignee: **Barrel House Cooker, LLC**,
Bakersfield, CA (US)

Picts! Our UDS Cooker (and How to Build One)—Part 1, Feb. 24,
2016, <http://www.thepickledpig.com/forums/showthread.php?t=832>.

(Continued)

(**) Term: **15 Years**

Primary Examiner — Brett Miller

(21) Appl. No.: **29/641,975**

(74) *Attorney, Agent, or Firm* — Mark D. Miller; William
K. Nelson

(22) Filed: **Mar. 26, 2018**

Related U.S. Application Data

(57) **CLAIM**

(62) Division of application No. 29/570,146, filed on Jul.
5, 2016, now Pat. No. Des. 813,589.

We claim the ornamental design for a barrel cooker, as
shown and described.

(51) **LOC (12) Cl.** **07-02**

(52) **U.S. Cl.**
USPC **D7/332**

DESCRIPTION

(58) **Field of Classification Search**
USPC D7/332–337, 352–353, 362–367,
D7/402–409, 348; 126/242
CPC A47J 37/07–0786; A47J 37/06; A47J
37/0611; A47J 37/0623–0641; A47J
37/067–0676; A47J 37/079; F24B
1/18–28; A23B 4/052; A23B 4/044; A23B
4/0523; A23B 4/056
See application file for complete search history.

FIG. 1 is a front perspective view of a barrel cooker showing
our new design;
FIG. 2 is a left side elevational view thereof;
FIG. 3 is a right side elevational view thereof;
FIG. 4 is a rear elevational view thereof;
FIG. 5 is a front elevational view thereof;
FIG. 6 is a top plan view thereof;
FIG. 7 is a bottom plan view thereof;
FIG. 8 is a front perspective view of the bottom portion of
the barrel cooker from which the upper barrel has been
removed; and,
FIG. 9 is a top plan view of the bottom portion shown in
FIG. 8.

(56) **References Cited**

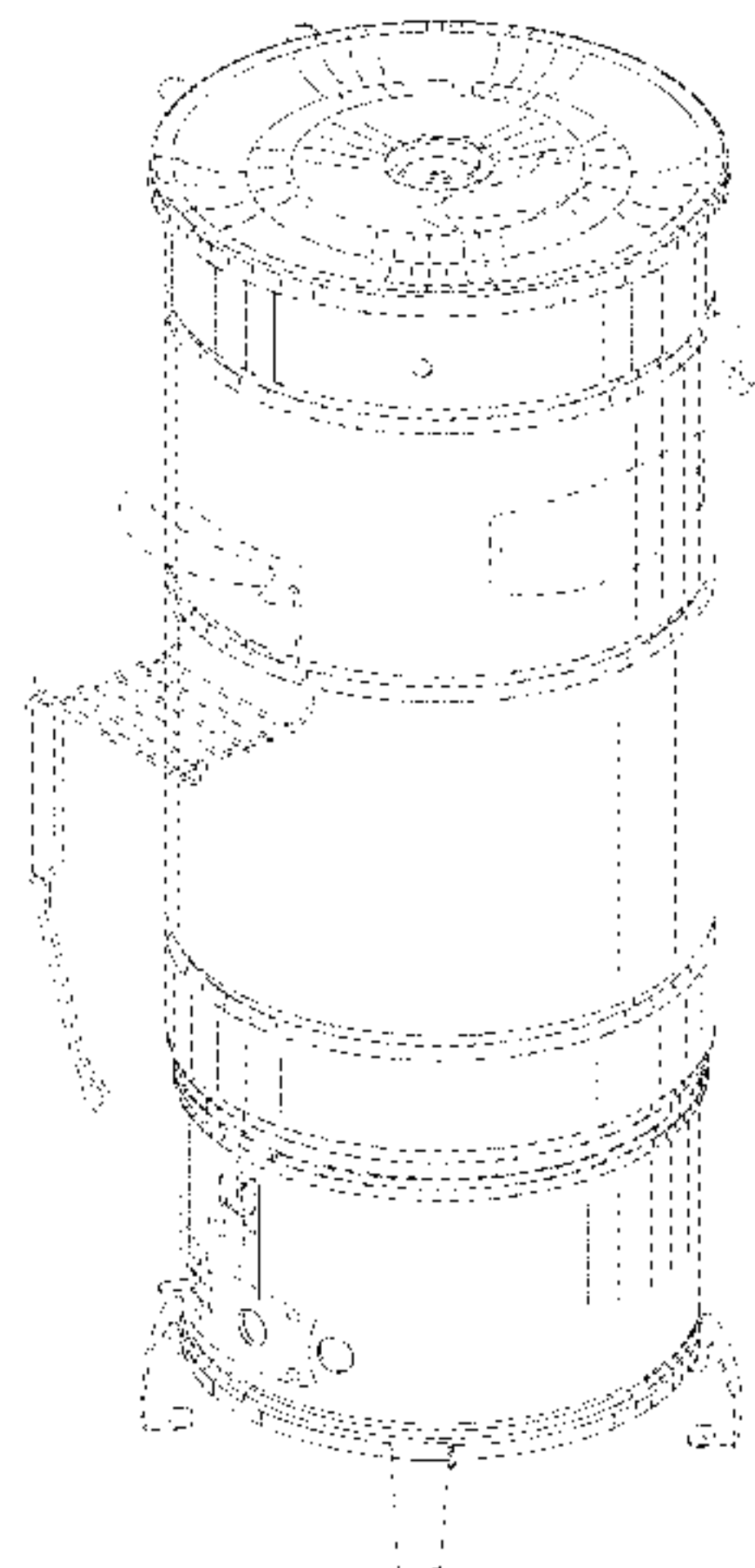
U.S. PATENT DOCUMENTS

14,743 A 4/1856 Spence
1,336,766 A 4/1919 Marshall et al.
1,385,931 A 7/1921 Semonin
1,518,811 A 12/1924 Murray
2,001,615 A 1/1932 Karten

The broken lines on the surface portion indicate contour and
not surface decoration. The broken lines showing such
features as hinges, handles and the like are not part of the
claimed design.

(Continued)

1 Claim, 7 Drawing Sheets



(56)

References Cited

U.S. PATENT DOCUMENTS

D97,580 S	11/1935	Ingersoll	5,144,939 A	9/1992	Christopherson
2,158,341 A	5/1939	Thau	5,191,831 A	3/1993	Walden
2,221,098 A	11/1940	Joseph	5,325,841 A	7/1994	Hooper, Sr.
2,348,452 A	3/1942	Christopher	5,359,923 A	11/1994	Boswell
2,349,617 A	5/1944	Gorman	5,359,988 A	11/1994	Hait
2,408,935 A	10/1946	Kunst	5,473,979 A	12/1995	Ruben
2,488,014 A	11/1949	Higman	5,481,964 A	1/1996	Kitten
2,608,190 A	2/1950	Winning et al.	5,515,774 A	5/1996	Swisher et al.
2,718,845 A	11/1955	Dudley	D370,380 S	6/1996	McGourthy
2,801,627 A *	8/1957	Burke A47J 36/30	5,531,154 A	7/1996	Perez
		126/262	5,555,796 A	9/1996	Kortschot et al.
2,842,043 A	7/1958	Renland	D374,371 S	10/1996	McDonald
3,062,200 A	11/1962	Miller	5,638,743 A	6/1997	Lo
3,125,017 A	3/1964	Tauber et al.	5,644,977 A	7/1997	Rodriguez
3,209,672 A	10/1965	Baunach	5,711,209 A	1/1998	Guines
3,228,319 A	1/1966	Miller	5,715,743 A	2/1998	Goddard
3,254,800 A	6/1966	Baunach	5,752,497 A	5/1998	Combs et al.
3,266,478 A	8/1966	Booth	5,768,977 A	6/1998	Parris et al.
3,276,440 A	10/1966	Sazegar	5,988,158 A	11/1999	Schmidt
3,299,800 A	1/1967	Angelo	6,012,382 A	1/2000	McLemore
3,323,508 A	6/1967	Holman	6,016,797 A	1/2000	Nowicke, Jr.
3,333,526 A	8/1967	Kirkpatrick	6,019,033 A	2/2000	Wilson et al.
3,398,733 A	8/1968	Bradley	6,029,566 A	2/2000	McLemore
3,457,853 A	7/1969	Morley	6,089,145 A	7/2000	Watson
3,472,151 A	10/1969	Cox	6,213,115 B1	4/2001	Anderson
3,529,536 A	9/1970	Milhem	6,234,066 B1	5/2001	Zittel et al.
3,529,557 A	9/1970	Treanor	6,276,264 B1	8/2001	Dumm
3,556,078 A	1/1971	McGaughey	6,307,193 B1	10/2001	Toole
D222,310 S	10/1971	Zaubrecher	6,422,134 B1	7/2002	Barksdale et al.
3,665,913 A	5/1972	Cagle, Jr.	D463,948 S	10/2002	Innes
3,776,127 A	12/1973	Muse	6,543,435 B1	4/2003	Regen et al.
3,851,639 A	12/1974	Beddoe	6,561,178 B1	5/2003	Hayes
3,868,942 A	3/1975	Lewis	6,615,821 B1	9/2003	Fisenko
3,915,144 A	10/1975	Tomita	D481,903 S	11/2003	Hester
3,942,425 A	3/1976	Canright	6,622,616 B1	11/2003	Measom
3,974,760 A	8/1976	Ellis	6,644,298 B2	11/2003	Hermansen et al.
3,974,821 A *	8/1976	Storandt A47J 37/079	D486,348 S	2/2004	Zhu
		126/25 B	6,748,939 B1	6/2004	Gober
D244,249 S	5/1977	Boswell	6,841,759 B2	1/2005	Elwedini
4,094,295 A	6/1978	Boswell et al.	6,845,707 B1	1/2005	Xu et al.
4,125,065 A	11/1978	Lee	6,913,011 B1	7/2005	Snider
4,150,610 A	4/1979	Ferrara	6,962,106 B2	11/2005	Viraldo
4,154,154 A	5/1979	Vivian	7,140,362 B1	11/2006	Johnston
4,170,173 A	10/1979	Bradford	7,159,509 B2	1/2007	Starkey
4,271,344 A	6/1981	Horiuchi et al.	D550,022 S *	9/2007	Amajuwon D7/332
4,281,633 A	8/1981	Wackerman	7,281,469 B1	10/2007	Barbour et al.
4,282,854 A	8/1981	Byars	D574,177 S	8/2008	Hulsey
4,282,856 A	8/1981	Byars	D576,833 S	9/2008	Mansell
4,300,444 A	11/1981	Muse	7,426,855 B2	11/2008	Aubele et al.
4,382,432 A	5/1983	Lizdas	7,703,389 B2	4/2010	McLemore et al.
4,467,709 A	8/1984	Anstedt	D615,798 S	5/2010	McLemore et al.
4,490,597 A	12/1984	Mengel	D616,243 S	5/2010	McLemore et al.
4,495,860 A	1/1985	Hitch et al.	D620,312 S	7/2010	Jendrass
4,512,249 A	4/1985	Mentzel	D629,244 S	12/2010	McLemore
4,532,911 A	8/1985	Orter	7,861,705 B2	1/2011	Husley
4,554,864 A	11/1985	Smith et al.	D650,215 S	12/2011	Chung
4,574,689 A	3/1986	Robertson	D653,074 S	1/2012	Difante
4,604,986 A	8/1986	Barnes	8,201,550 B2	6/2012	Malumyan
4,627,336 A	12/1986	Nam	8,316,836 B2	11/2012	Grasso et al.
4,643,162 A	2/1987	Collins	8,464,702 B2	6/2013	Foster
4,700,618 A	10/1987	Cox	8,511,295 B2	8/2013	Buerkle
4,702,224 A	10/1987	Griffith	8,556,310 B1	10/2013	Nabors
4,732,138 A	3/1988	Vos	8,739,830 B2	6/2014	Montgomery
4,757,756 A	7/1988	Van Marr	8,851,063 B1	10/2014	DeGraff et al.
4,788,906 A	12/1988	Starks	8,919,334 B2	12/2014	Glanville et al.
4,823,684 A	4/1989	Traeger et al.	9,200,809 B2	12/2015	Knight
4,858,786 A	8/1989	Eagar	D755,557 S	5/2016	Stout
4,862,792 A	9/1989	Lerma, Jr.	D760,531 S	7/2016	Scheer
4,913,126 A	4/1990	McCall	D795,632 S *	8/2017	Klingbeil D7/332
4,924,844 A	5/1990	Bransburg	D813,589 S *	3/2018	Graves D7/332
4,962,697 A	10/1990	Farrar	D820,021 S *	6/2018	Henderson D7/332
5,012,061 A	4/1991	Lesser	2001/0000327 A1	4/2001	Zittel et al.
5,078,049 A	1/1992	Glanton	2004/0089163 A1	5/2004	Elwendini
5,086,752 A	2/1992	Hait	2004/0168581 A1	9/2004	Eisinger et al.
5,094,223 A	3/1992	Gonzalez	2004/0250690 A1	12/2004	Restis et al.
			2005/0011370 A1	1/2005	Xu et al.
			2006/0016447 A1	1/2006	Meyer
			2006/0075905 A1	4/2006	Shih
			2006/0243141 A1	11/2006	Mayer et al.

(56)

References Cited

U.S. PATENT DOCUMENTS

2006/0254432	A1	11/2006	McLemore
2006/0260599	A1	11/2006	Butt
2007/0199555	A1	8/2007	Gregory
2008/0135039	A1	6/2008	Sharpe
2008/0163765	A1	6/2008	O'Shea
2009/0020491	A1	1/2009	Foster
2009/0199839	A1	8/2009	Husley
2009/0308373	A1	12/2009	Scott et al.
2010/0300425	A1	12/2010	Rees
2011/0061543	A1	3/2011	Ingrassia et al.
2011/0275023	A1	11/2011	Knight
2012/0156350	A1	6/2012	Gates et al.
2013/0074705	A1	3/2013	Ciaciura
2014/0026765	A1	1/2014	Fou
2014/0224750	A1	8/2014	Vogds

FOREIGN PATENT DOCUMENTS

EP	1871205	B1	4/2010
EP	2683280	B1	8/2015
FR	2181880	A1	7/1973
FR	2639813	A1	12/1988
FR	2639813	A1	6/1990
GB	563024	A	7/1944
WO	0076381	A1	12/2000
WO	2010001133	A1	1/2010
WO	2010063992	A1	6/2010
WO	2010001135	A1	1/2015

OTHER PUBLICATIONS

- 55 gal drum smoker project, Sep. 13, 2008, <https://web.archive.org/web/20100716050201/http://www.bbcrevolution.com/55gal-londrumsmokerproject/>.
- Thread: Drum smoker (california style), Oct. 20, 2009, [http://www.thejoint.com/forum/showthread.php?1466Drumsmoker\(californiastyle\)](http://www.thejoint.com/forum/showthread.php?1466Drumsmoker(californiastyle)).
- Karoly, Steven, "Round the Chuckbox: Ugly drum smoker", Mar. 29, 2016, <http://roundthechuckbox.blogspot.com/2011/05/uglydrumsmoker.html>.
- Koroly, Steven, "Round the Chuckbox: Ugly drum smoker", May 11, 2011, <http://roundthechuckbox.blogspot.com/2011/05/uglydrumsmoker.html>.
- The Smoke Ring, "Build Your Own Upright Drum Smoker", Jun. 27, 2009, <http://www.thesmokingring.com/forum/viewtopic.php?p=275978&sid=09852b63ffaf40c19t787f4c75effd9f>.
- The BBQ Brethren, From the Backyard to the American Royal, Mar. 29, 2016, <http://www.bbqbrethren.com/forum/showthread.php?t=41237&goto=nextnewest>.
- Barrel House Cooker Deluxe Kit, Jun. 29, 2016, <https://www.barrelhousecooker.com/product/bhcdeluxe/>.
- Barrel House Cooker Standard Kit, Jun. 29, 2016, <https://www.barrelhousecooker.com/product/bhstandard/>.
- The Pit Barrel Cooker Package, Jun. 29, 2016, <http://www.pitbarrelcooker.com/product/thepitbarrelcookerpackage/>.
- U.S. Military, Police or Fire Pit Barrel Cooker Package, Jun. 29, 2016, <http://www.pitbarrelcooker.com/product/usmilitarypitbarrelcookerpackage/>.
- Karoly, Steven, "Round the Chuckbox: Ugly Drum Smoker", Oct. 20, 2009, <http://roundthechuckbox.blogspot.com/2009/10/uglydrumsmoker.html>.
- Collins, Patrick, "Chicken Barrel Cooker" (YouTube 2010), <https://www.youtube.com/watch?v=oCFTF5T-cp4>.
- Pierce, Mike, "Kauai's Best Barbecue: Chicken in a Barrel BBQ" (2010), <http://www.soffiawardy.com/eatdrink/eatbycity/kauaihawaii/kauaisbestroadsidebarbequechickeninabarrelbbq/>.
- Barrel House Cooker, Owner's Manuel (2015).
- Reed, Malcom, "UDS Smoker List", Apr. 12, 2011, www.howtobbqright.com.
- Reed, Malcom, "Build your own UDS", Apr. 12, 2011, <http://www.smokingmeatforums.com/t/65394/newbarrelinabarreluds>.
- Smoking Meat Forum, "New Barrel in a Barrel UDS", Apr. 27, 2008, <http://www.smokingmeatforums.com/t/65394/newbarrelinabarreluds>.
- The Pickled Pigs UDS Build, 2009, www.thepickledpig.com.
- Whistlestop: Chicken in a Barrel, (YouTube Mar. 16, 2011), <https://www.youtube.com/watch?v=6VBk2DemD9Y>.
- Hawaii Life: Chicken in a Barrel (YouTube Nov. 13, 2014), <https://www.youtube.com/watch?v=3GyuTOctoUl>.
- Barrel Smoker Chick (YouTube May 31, 2010), <https://www.youtube.com/watch?v=-eBILaFTqIM>.
- "Ultimate Tri-Tip Cooker," SmokingMeatForums.com, Jun. 6, 2010, <http://www.smokingmeatforums.com/t/95215/utimatetritipcooker>.
- "Beef in a Barrel Barbeque," Sunset Publish. Corp., May 1984, <https://www.questia.com/read/1G13245623/beefinabarrelbarbeque>.
- "Barbecuing chicken in a barrel," Sunset Publish. Corp., May 1984, <https://www.thefreelibrary.com/Barbecuing+chicken+in+a+barrel.a03245653>.
- Degraff, "A Little Bit About Us & a Big Thank You," D-Meatbarrel, Jul. 18, 2015, <http://www.d-meatbarrel.com/uncategorized/dmb-a-little-bit-about-us-a-big-thank-you/>.
- Pierce, Mike, "Chicken in a Barrel BBQ—Best BBQ—Hawaii," 2015, <https://www.youtube.com/watch?v=mVtw4XFmudQ>.
- "Barbecue apparatus for cooking food in the heat given out by a solid fuel raised to incandescence", 1990, Abstract Describing FR2639813.
- <http://www.smokingmeatforums.com/t/91458/ behold-the-black-beauty/20>.
- <http://www.smokingmeatforums.com/t/91458/ behold-the-black-beauty>.
- <http://www.smokingmeatforums.com/t/84635/finally-finished-my-uds/20>.
- <http://www.smokingmeatforums.com/t/84635/finally-finished-my-uds>.
- <http://www.smokingmeatforums.com/t/75297/finally-my-uds-is-here>.
- <http://insidecolumbia.net/2016/05/07/for-the-love-of-smoke/>.
- <http://www.mightymac.org/07americanroyalBBQ.htm>.
- http://www.basehorinfo.com/news/2007/may/10/missouri_team_wins_barbecue_title/.
- <http://www.smokingmeatforums.com/t/93508/my-drum-beginings>.
- <http://www.smokingmeatforums.com/t/87593/my-first-uds-is-complete-and-running-w-pics>.
- <http://www.smokingmeatforums.com/t/82912/my-new-uds-and-seasoning-fatties>.
- <http://www.smokingmeatforums.com/t/75578/my-new-uds-w-qview>.
- <http://www.smokingmeatforums.com/t/95775/my-uds-build-with-stainless-steel-intake-and-exhaust>.
- <http://www.smokingmeatforums.com/t/95723/my-uds-finally-now-with-pics-and-video>.
- <http://www.smokingmeatforums.com/t/72013/my-uds-is-finished/20>.
- <http://www.smokingmeatforums.com/t/72013/my-uds-is-finished/40>.
- <http://www.smokingmeatforums.com/t/72013/my-uds-is-finished>.
- <http://www.smokingmeatforums.com/t/87947/ok-got-my-drum-last-night-any-last-minute-pointers>.
- <http://www.smokingmeatforums.com/t/87947/ok-got-my-drum-last-night-any-last-minute-pointers/20>.
- <http://www.smokingmeatforums.com/t/94186/one-more-uds-question/20>.
- <http://www.smokingmeatforums.com/t/94186/one-more-uds-question>.
- <http://www.smokingmeatforums.com/t/90748/pics-of-my-uds>.
- <http://www.smokingmeatforums.com/t/88858/tailgating-uds-build-w-qview/20>.
- <http://www.smokingmeatforums.com/t/88858/tailgating-uds-build-w-qview>.
- <http://www.bbq-brethren.com/forum/showpost.php?p=383013&postcount=211>.

(56)

References Cited

OTHER PUBLICATIONS

[http://mydigitalpublication.com/publication/index.php?i=263552&m=&l=&p=11&pre=&ver=html5#{"page":10,"issue_id":263552}](http://mydigitalpublication.com/publication/index.php?i=263552&m=&l=&p=11&pre=&ver=html5#{).

[http://mydigitalpublication.com/publication/index.php?i=263552&m=&l=&p=11&pre=&ver=html5#{"page":24,"issue_id":263552}](http://mydigitalpublication.com/publication/index.php?i=263552&m=&l=&p=11&pre=&ver=html5#{).

<http://www.smokingmeatforums.com/t/82248/uds-build-1st-cook>.

<http://uglydrumsmoker.blogspot.com/>.

<http://uglydrumsmoker.blogspot.com/2008/09/major-parts-and-donor-kettle-grill.html>.

<http://uglydrumsmoker.blogspot.com/2008/09/fitting-and-using-lid-from-donor-kettle.html>.

<http://uglydrumsmoker.blogspot.com/2008/09/building-charcoalwood-basket.html>.

<http://uglydrumsmoker.blogspot.com/2008/09/layout-drilling-holes-etc.html>.

<http://uglydrumsmoker.blogspot.com/2008/09/air-intake-control-spring-loaded.html>.

<http://uglydrumsmoker.blogspot.com/2008/09/wheels-and-other-functional-bling.html>.

<http://uglydrumsmoker.blogspot.com/2008/09/design-functionality-and-how-it-will.html>.

<http://uglydrumsmoker.blogspot.com/2008/12/added-powered-rotisserie.html>.

<http://uglydrumsmoker.blogspot.com/2008/12/smoking-on-uds-experiences.html>.

<http://www.smokingmeatforums.com/t/94193/want-to-build-a-uds>.

"Ultimate Tri-Tip Cooker," SmokingMeatForums.com, Jun. 6, 2010, <http://www.smokingmeatforums.com/t/95215/ultimatetritipcooker>.

"Beef in a Barrel Barbecue," Sunset Publish. Corp., May 1984, <https://www.questia.com/read/1G13245623/beefinabarrelbarbecue>.

"Barbecuing chicken in a barrel," Sunset Publish. Corp., 1984, <http://www.thefreelibrary.com/Barbecuing+chicken+in+a+barrel.a03245653>.

https://www.youtube.com/watch?time_continue=2&v=C4GkxpsKHf0.

<http://www.smokingmeatforums.com/t/56966/chicken-and-turkey-wings-in-the-barrel>.

<http://cowgirlscountry.blogspot.com/2008/05/my-uds-so-far.html>.

<http://www.smokingmeatforums.com/t/80385/hello-from-chico>.

<https://www.youtube.com/watch?v=NZvO5Ht-u4A>.

http://www.meathenge.com/2004/11/mel_sons_muffle/.

"UDS w/ Fire Basket & Ash Pan for: Malcom Reed" Killer Hogs BBQ.

https://www.youtube.com/watch?v=k_pNTgfrhEl.

<http://www.smokingmeatforums.com/t/57879/ugly-drum-smokers>.

<https://web.archive.org/web/20090218082824/http://cowgirlscountry.blogspot.com/2008/05/my-uds-so-far.html>.

Drag's Welding UDS Photographs.

1992 UDS Photographs.

The Calaveras Enterprise, Aug. 16, 1996.

The Calaveras Enterprise, Aug. 27, 1996.

The Calaveras Enterprise, Aug. 30, 1994.

<http://www.soffiawardy.com/eat-drink/eat-by-city/kauai-hawaii/kauais-best-roadside-barbeque-chicken-in-a-barrel-bbq/>.

"Firehouse Food; Cooking With San Francisco's Firefighters" George Dolese & Steve Siegelman, 2003, Chronicle Books, San Francisco.

"Beef-in-a-barrel barbeque" Sunset Magazine p. 120, May 1984.

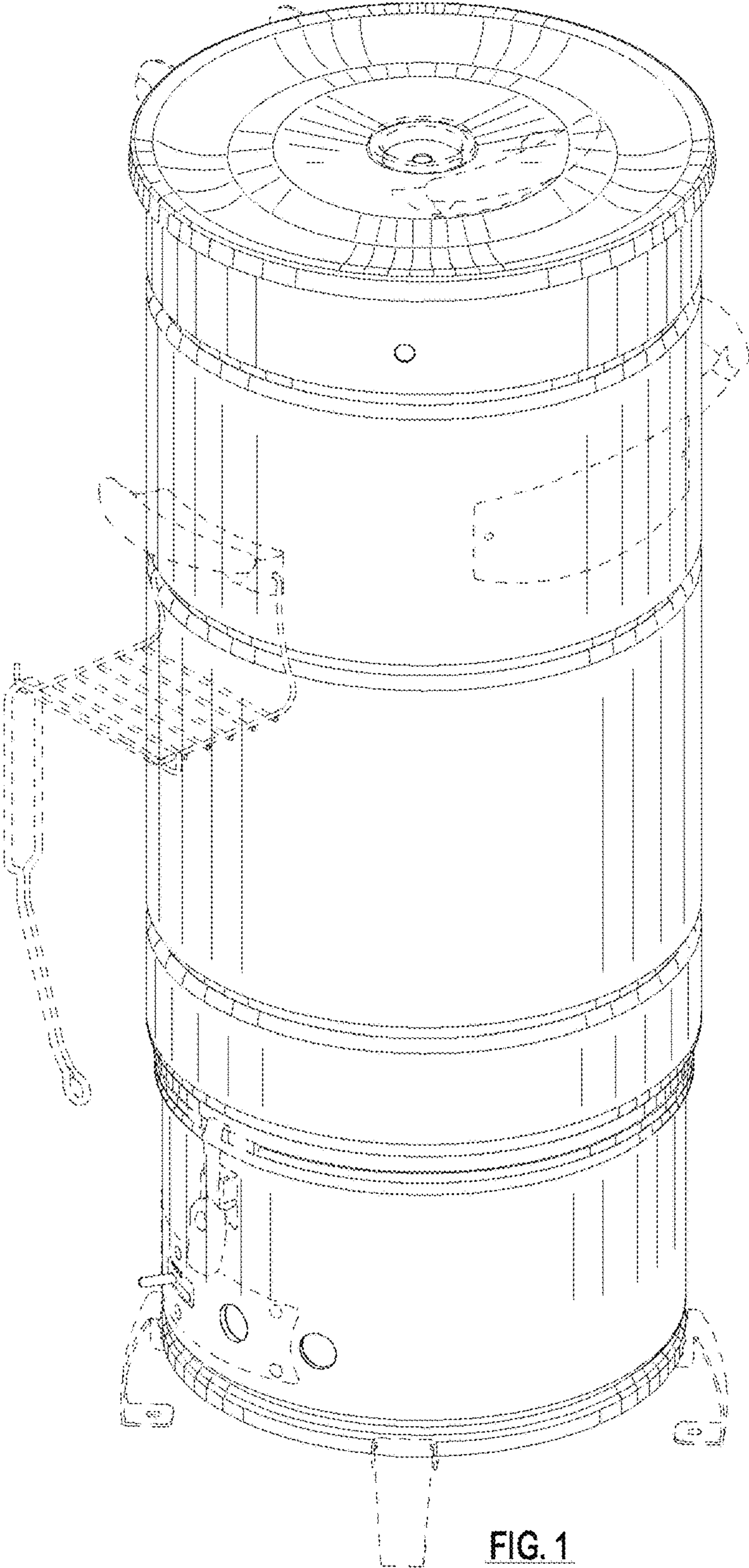
<http://www.bbq-brethren.com/forum/showthread.php?t=86910>.

<https://web.archive.org/web/20100709200903/www.d-meatbarrel.com/>.

https://web.archive.org/web/20100711070559/http://d-meatbarrel.com:80/index.php?option=com_content&view=article&id=61&Itemid=89.

<http://www.bbq-brethren.com/forum/showthread.php?t=23436>.

* cited by examiner



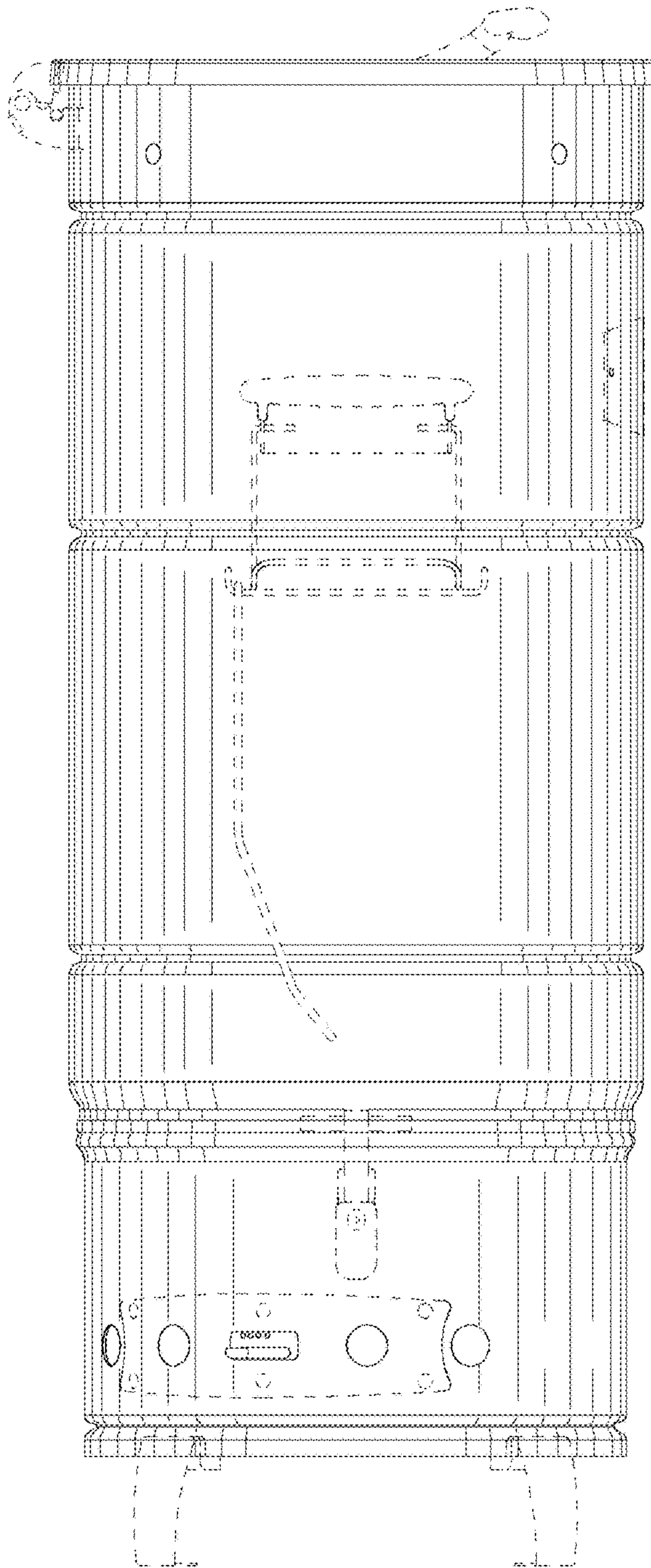


FIG. 2

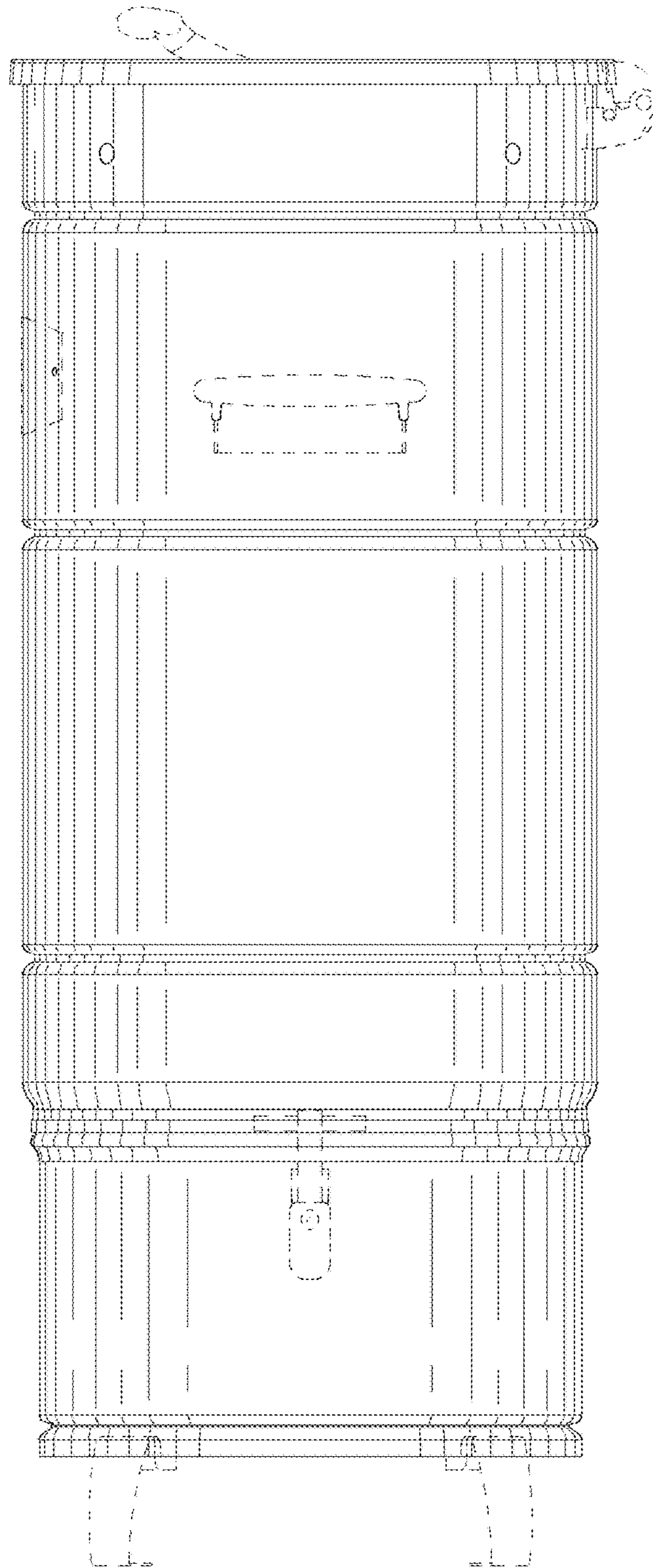


FIG. 3

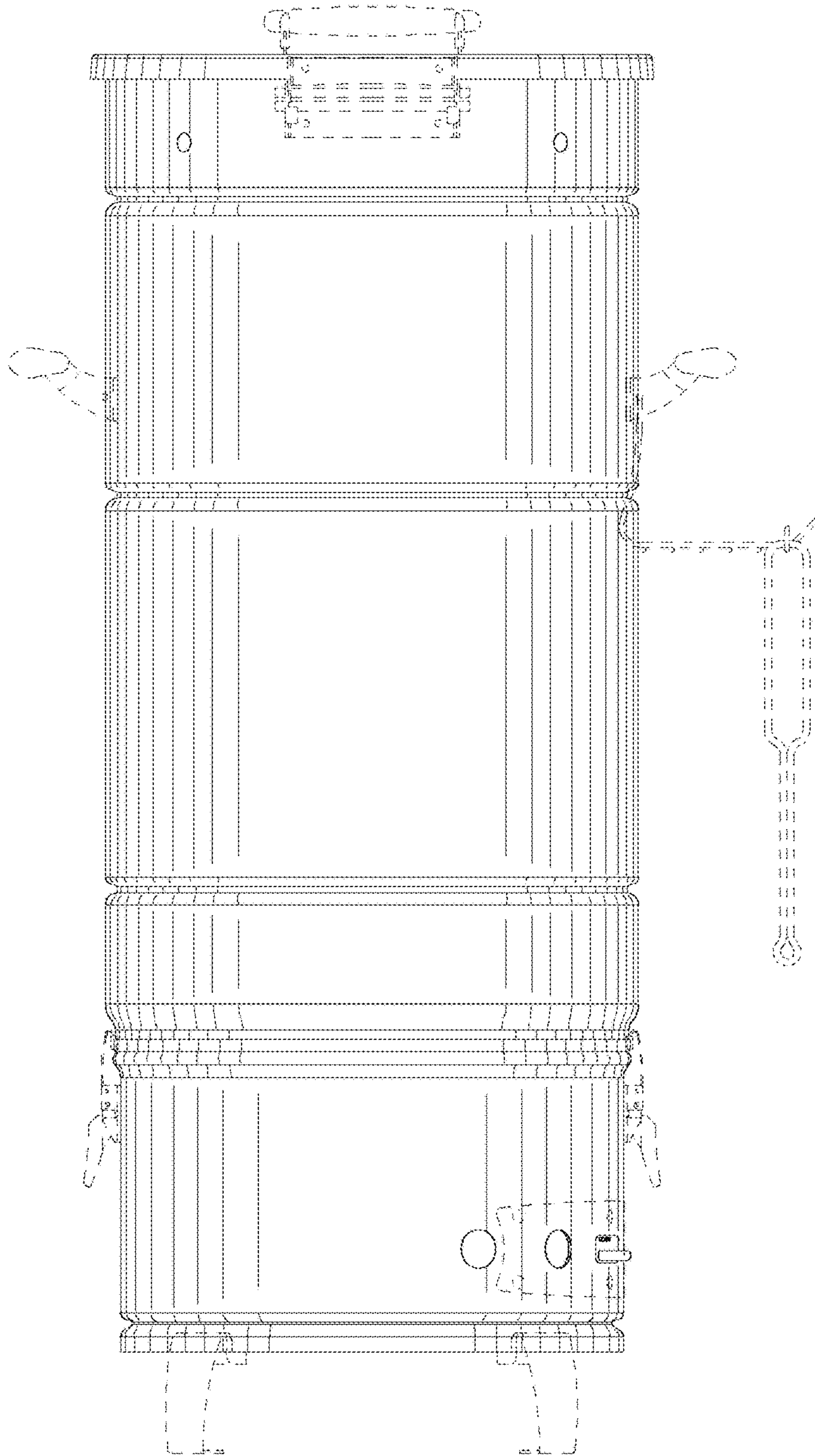


FIG. 4

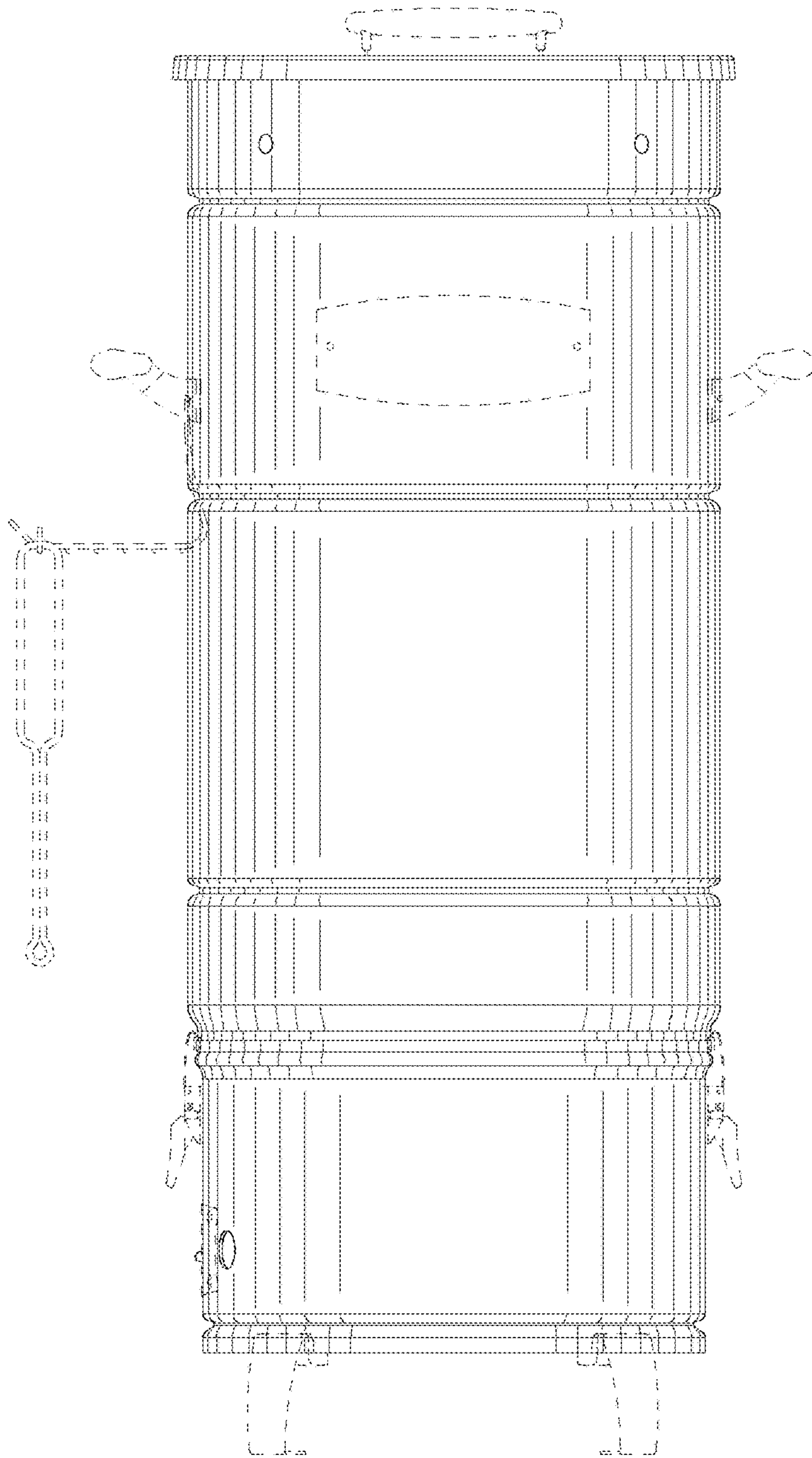


FIG. 5

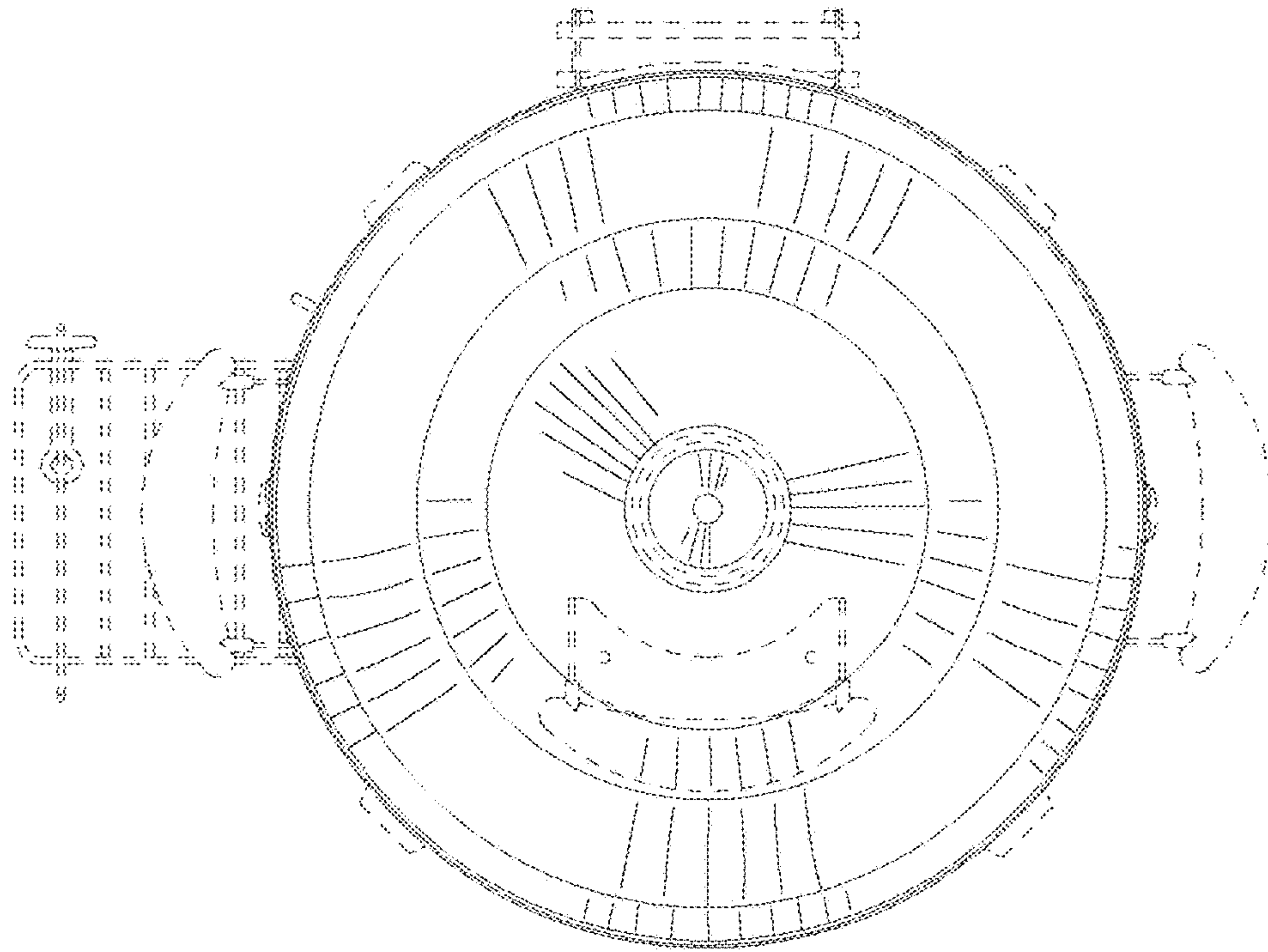


FIG. 6

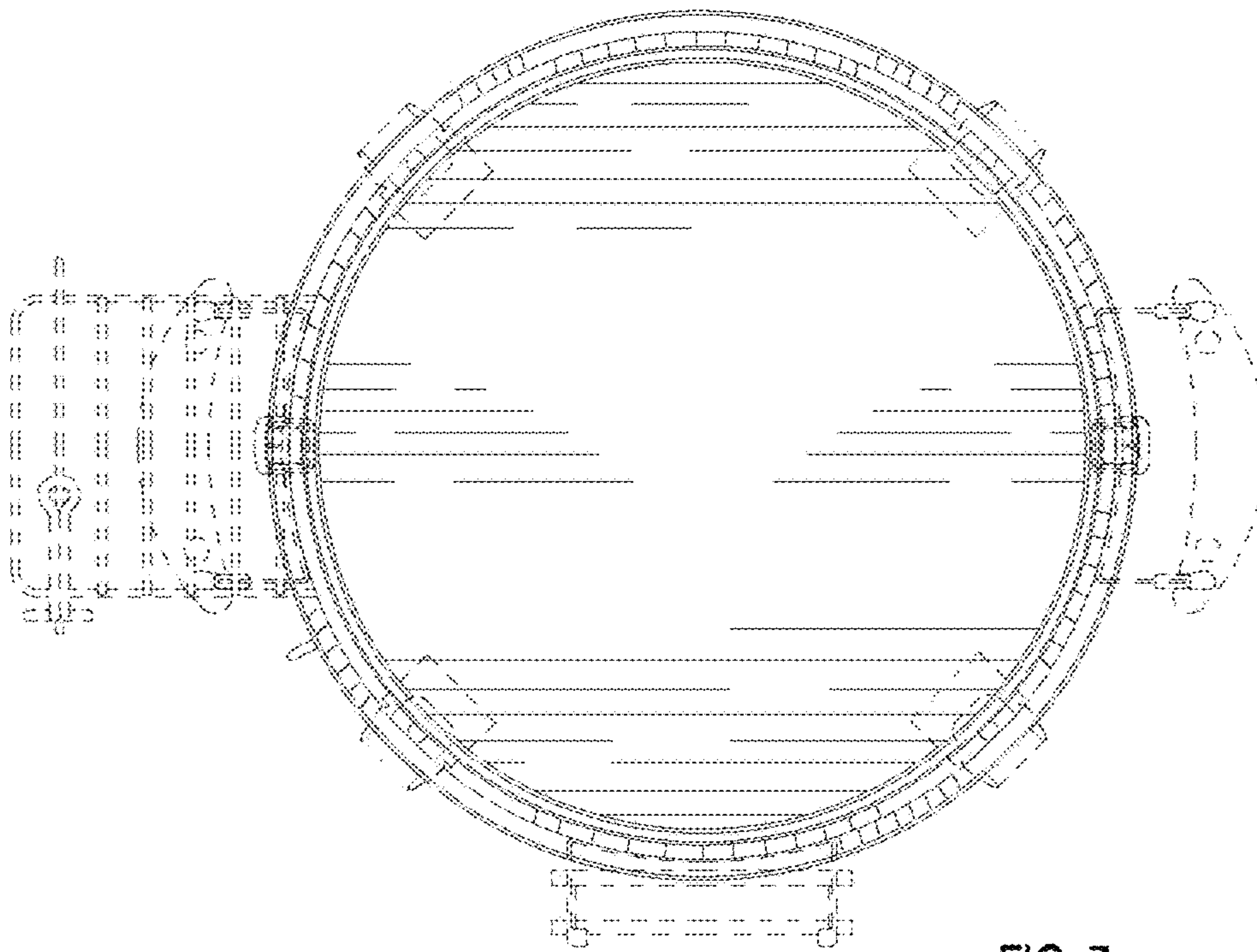


FIG. 7

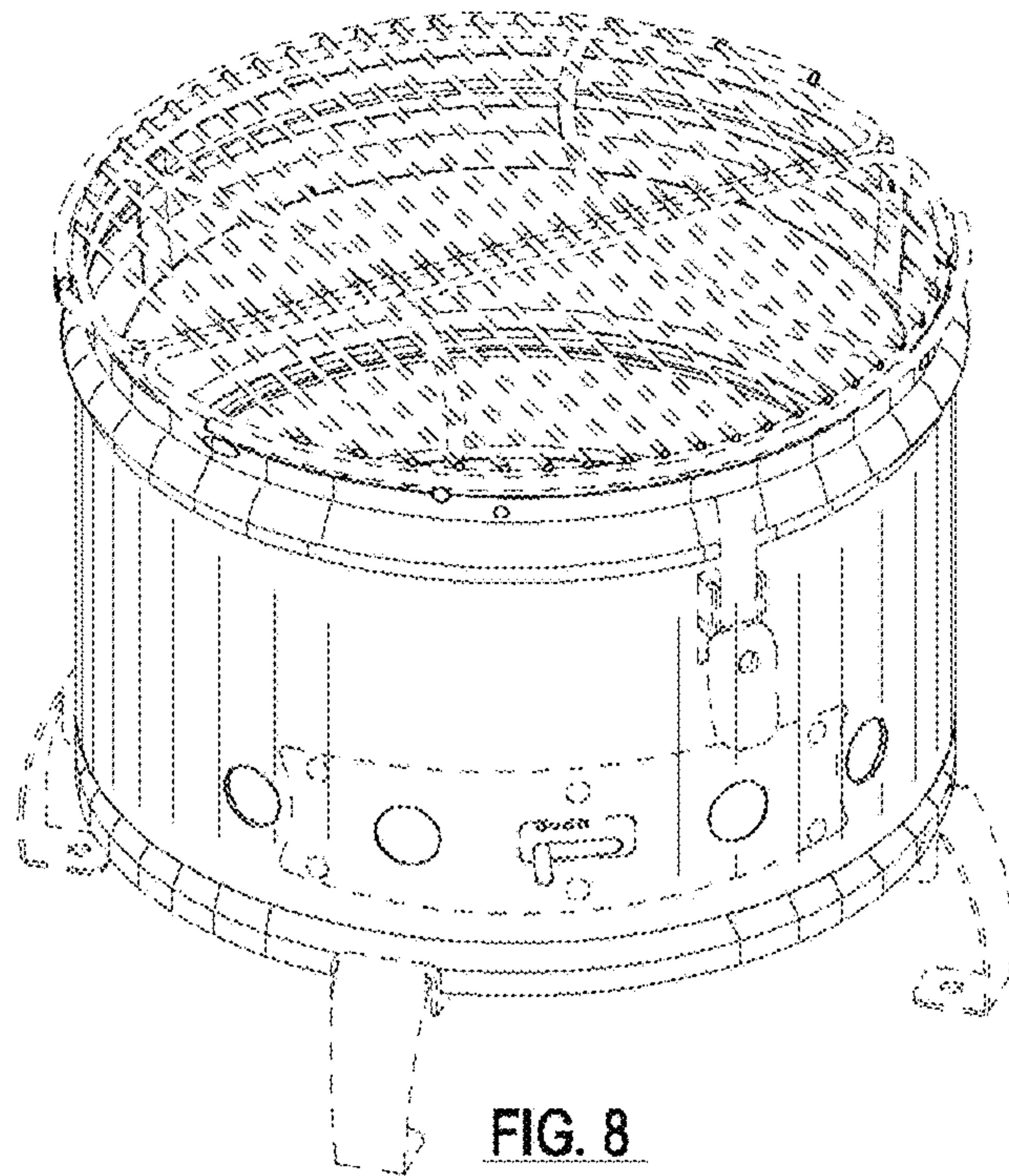


FIG. 8

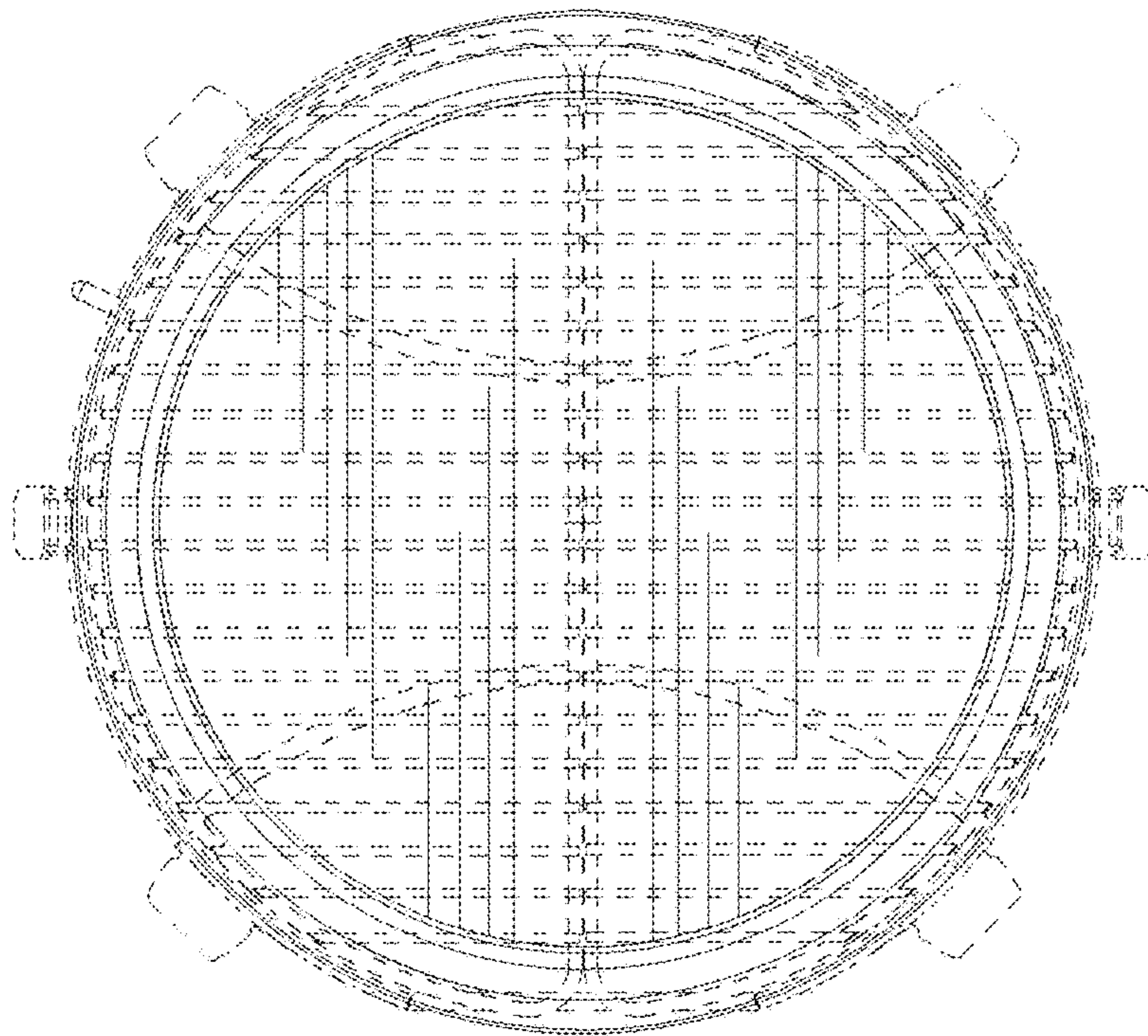


FIG. 9