

US00D869214S

(12) **United States Design Patent** (10) **Patent No.:** **US D869,214 S**
Chen (45) **Date of Patent:** **** Dec. 10, 2019**

- (54) **GAMING CHAIR**
- (71) Applicant: **SIMONFURNITURE INTERNATIONAL INC**, Atlanta, GA (US)
- (72) Inventor: **Fang Chen**, Ningbo (CN)
- (73) Assignee: **SIMONFURNITURE INTERNATIONAL INC**, Atlanta, GA (US)
- (**) Term: **15 Years**
- (21) Appl. No.: **29/702,292**
- (22) Filed: **Aug. 19, 2019**
- (51) **LOC (12) Cl.** **06-01**
- (52) **U.S. Cl.**
USPC **D6/716; D6/366**
- (58) **Field of Classification Search**
USPC **D6/334-336, 356, 364, 365, 366, 367, D6/374, 375, 379, 380, 716, 716.1, 716.3, D6/716.4**
CPC **A47C 4/028; A47C 7/004; A47C 7/006; A47C 7/18; A47C 7/24; A47C 7/38; A47C 7/40; B60N 2/02; B60N 2/22**
See application file for complete search history.

D856,696 S *	8/2019	Shen	D6/366
D856,697 S *	8/2019	Shen	D6/366
D856,698 S *	8/2019	Shen	D6/366
D859,865 S *	9/2019	Berlinches	D6/366

OTHER PUBLICATIONS

“JR Knight Racing Chair X; Faux Leather PC Desk Chair Ergonomic Gaming Chair Designed for Young Generation (Black & White)”. Retrieved Aug. 14, 2019]. Retrieved from Internet, <https://www.amazon.co.uk/JR-Knight-Ergonomic-Designed-Generation/dp/B07G7X8YVJ/>.

“Cherry Tree Furniture Designed Gaming Chair Racing Sport Style Swivel Office Chair in Black & Red”, Retrieved Aug. 14, 2019]. Retrieved from Internet, <http://www.amazon.co.uk/Cherry-Tree-Furniture-Designed-Gaming/dp/B00KY055GU/>.

* cited by examiner

Primary Examiner — Mimoso De

(57) **CLAIM**

The ornamental design for a gaming chair, as shown and described.

DESCRIPTION

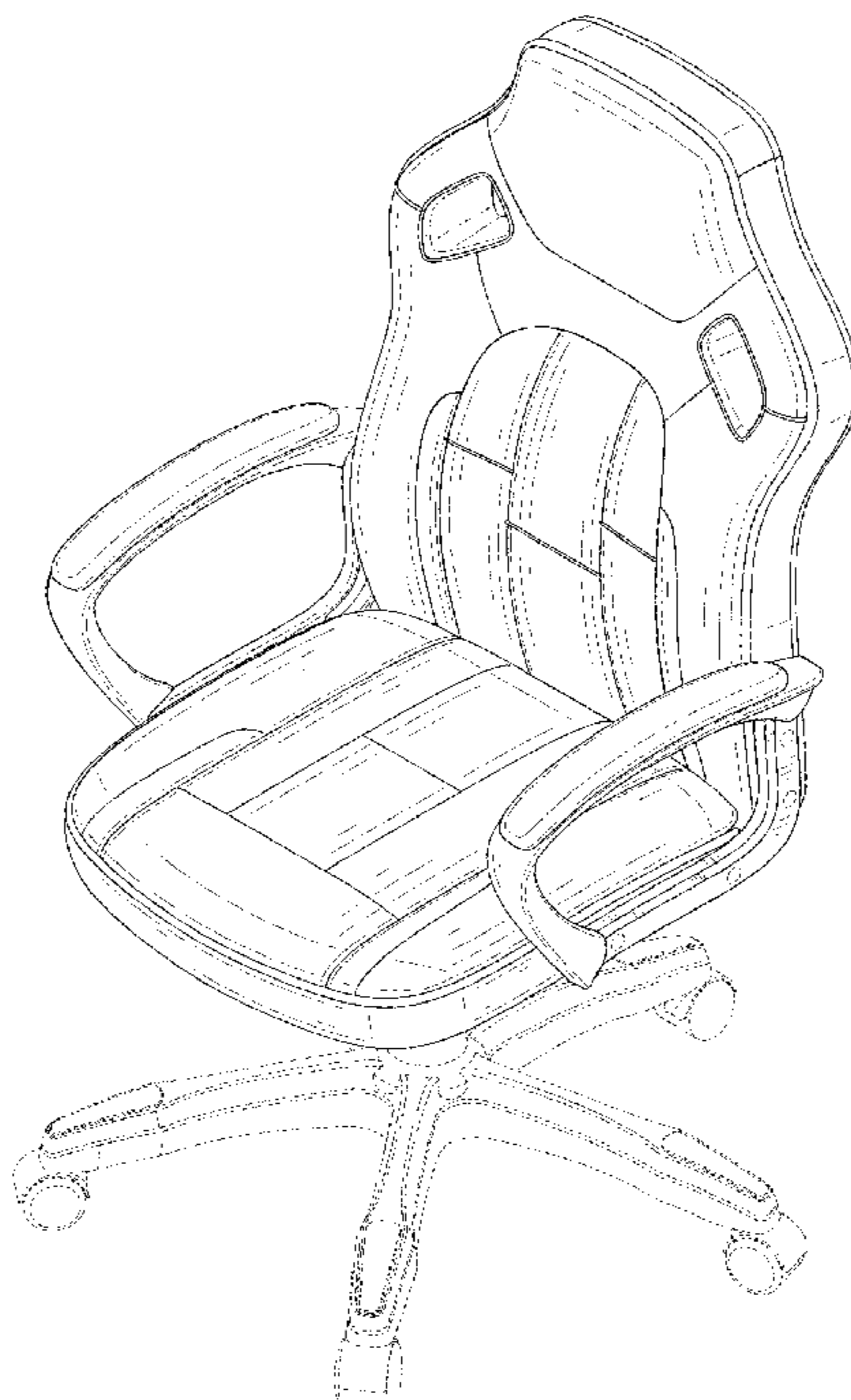
FIG. 1 is a perspective view of a gaming chair showing my new design;
 FIG. 2 is a front elevational view thereof;
 FIG. 3 is a rear elevational view thereof;
 FIG. 4 is a left side elevational view thereof;
 FIG. 5 is a right side elevational view thereof;
 FIG. 6 is a top plan view thereof; and,
 FIG. 7 is a bottom plan view thereof.
 The broken lines in the drawings depict portions of the gaming chair that form no part of the claimed design.

1 Claim, 7 Drawing Sheets

(56) **References Cited**

U.S. PATENT DOCUMENTS

D549,475 S *	8/2007	Su	D6/356
D827,320 S	9/2018	Xue		
D846,906 S	4/2019	Xue		
D851,974 S *	6/2019	Shen	D6/716
D852,563 S *	7/2019	Shen	D6/716
D854,846 S *	7/2019	Shen	D6/366



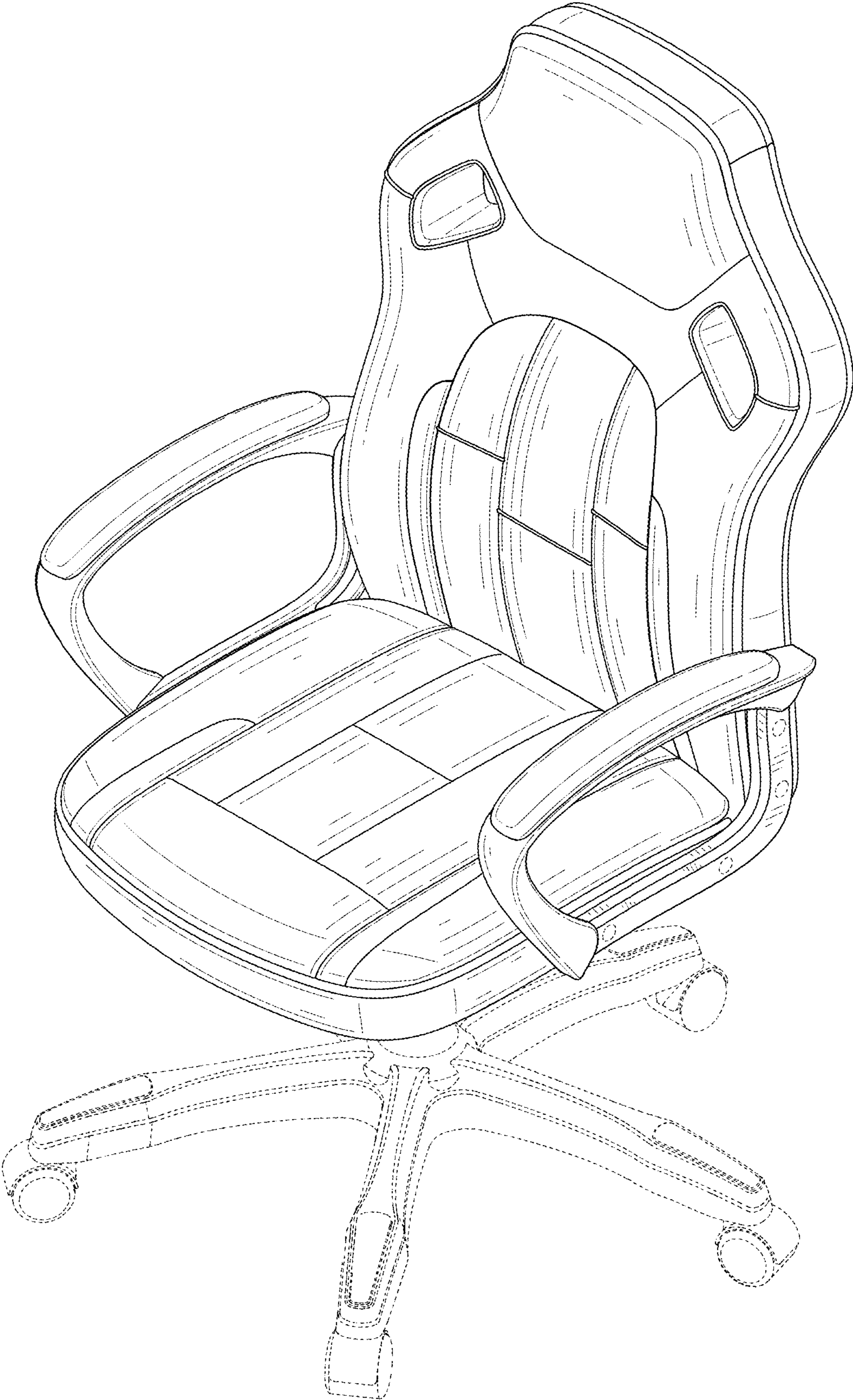


FIG. 1

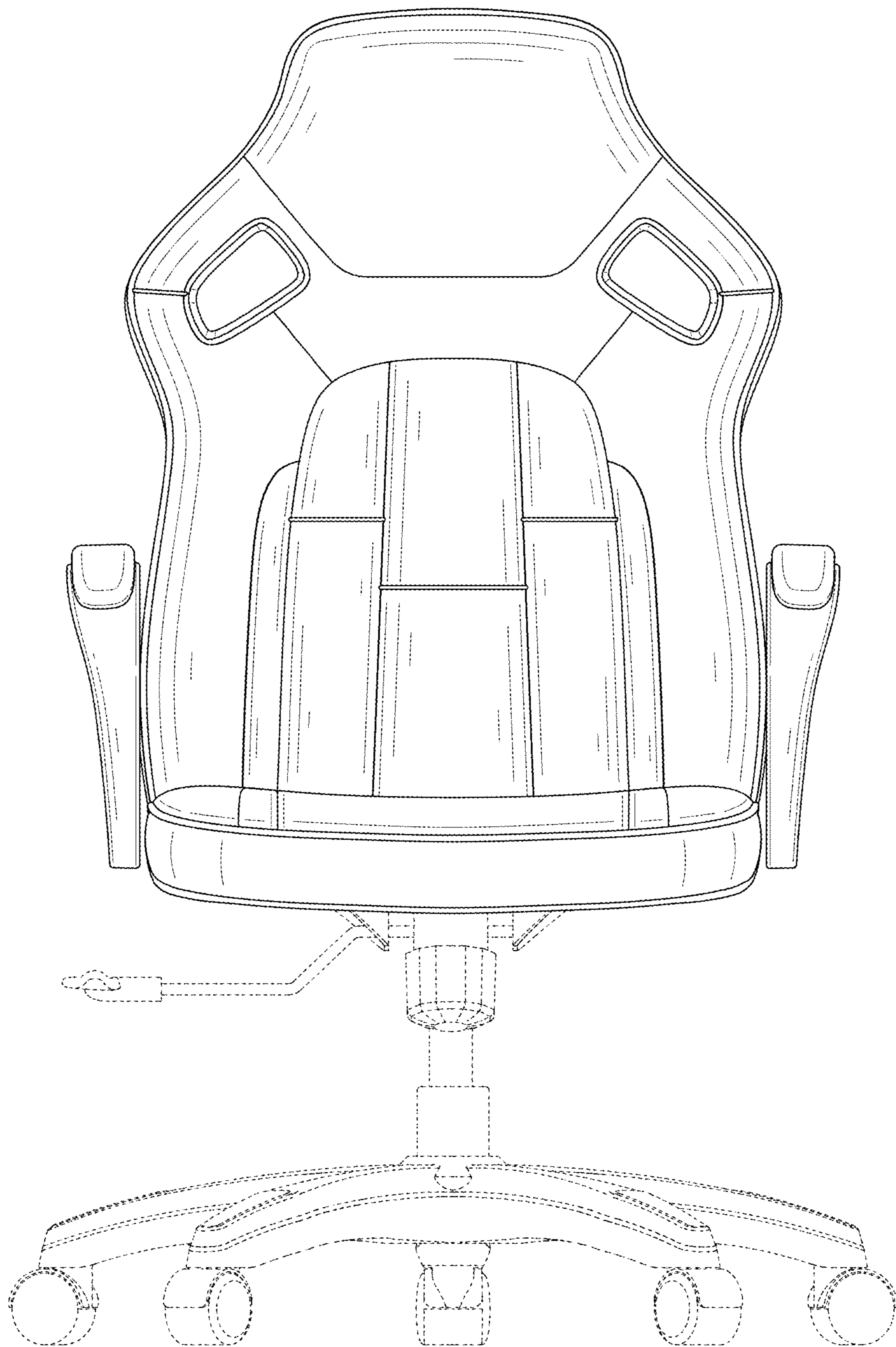


FIG. 2

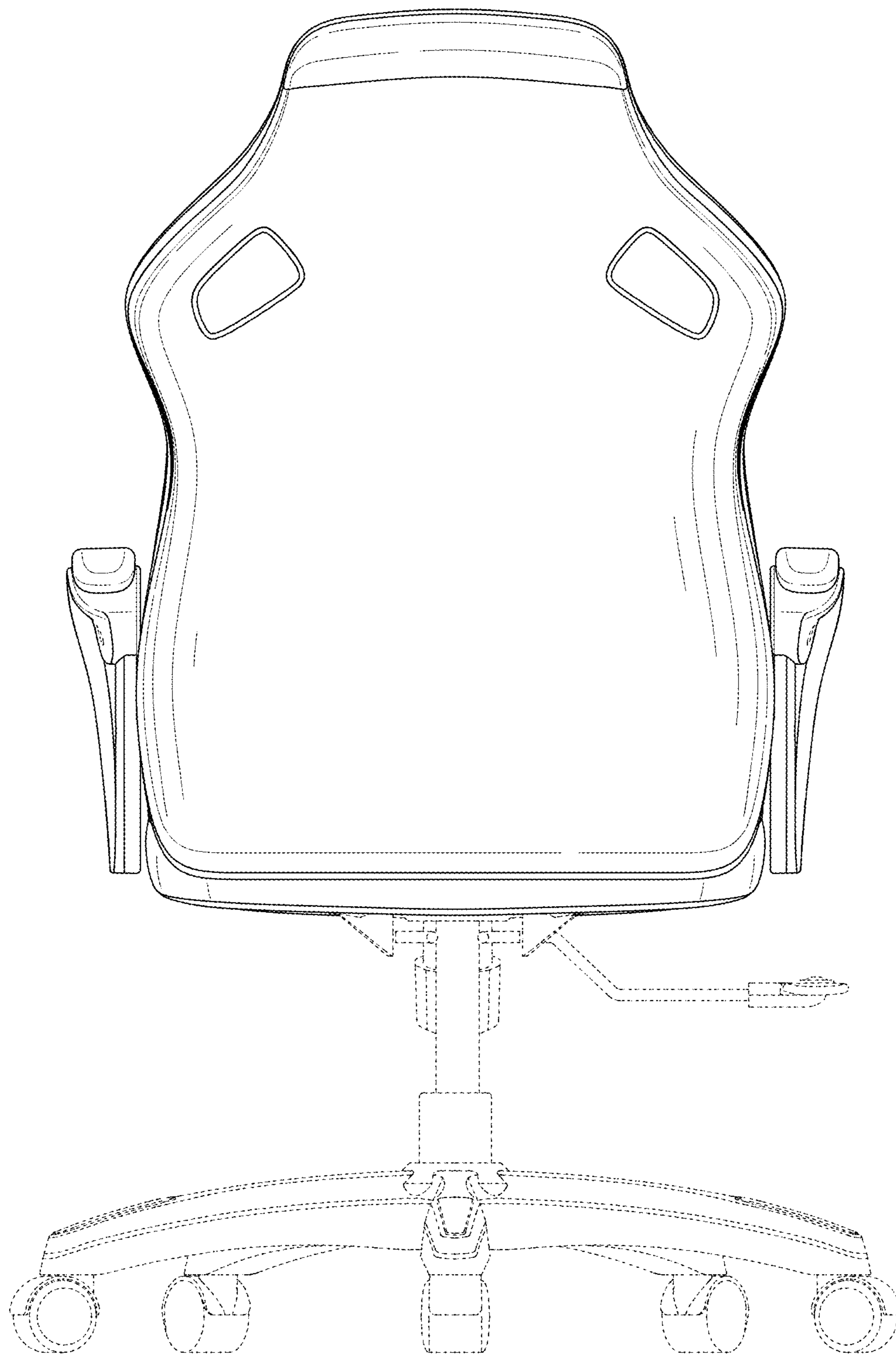


FIG. 3

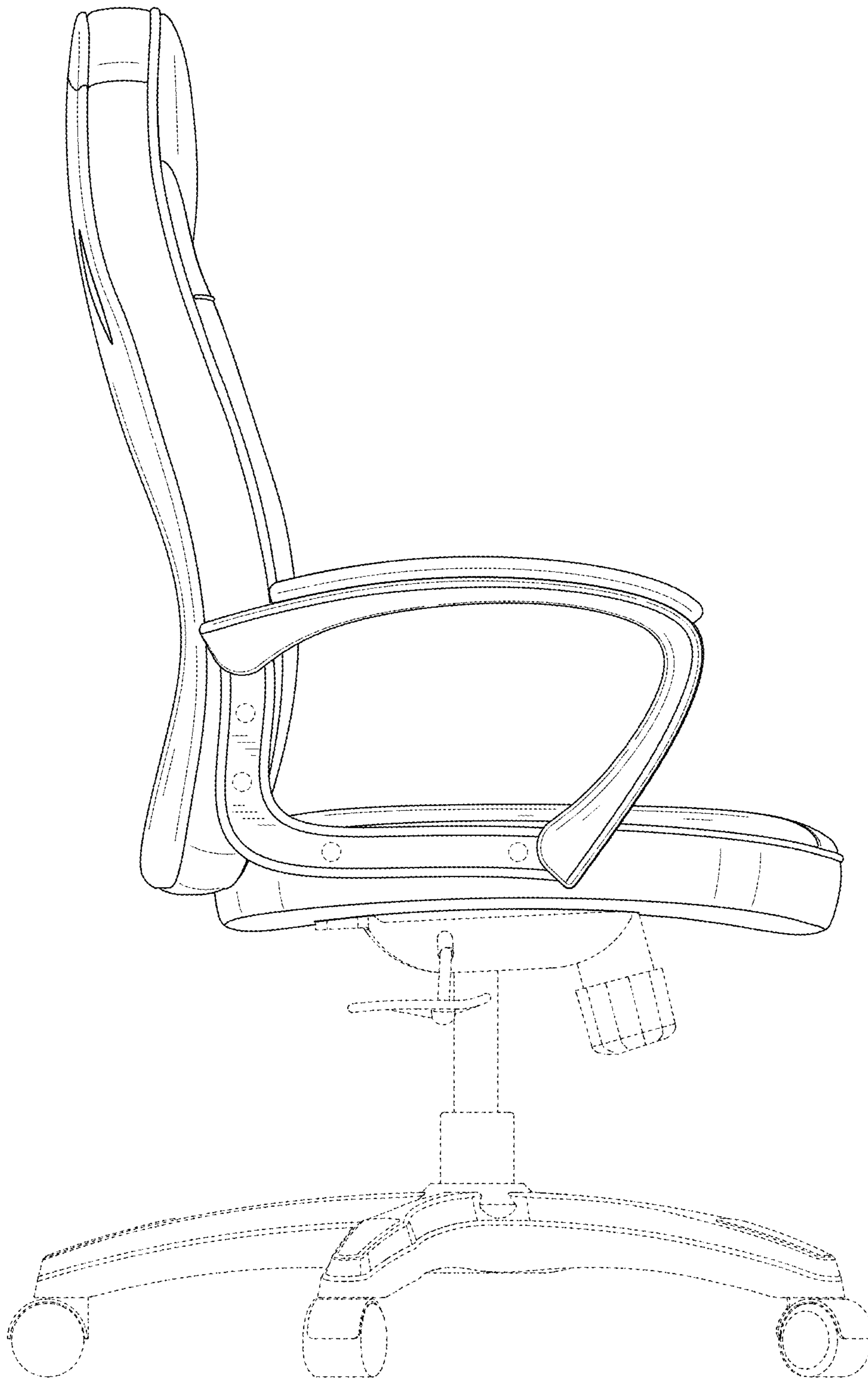


FIG. 4

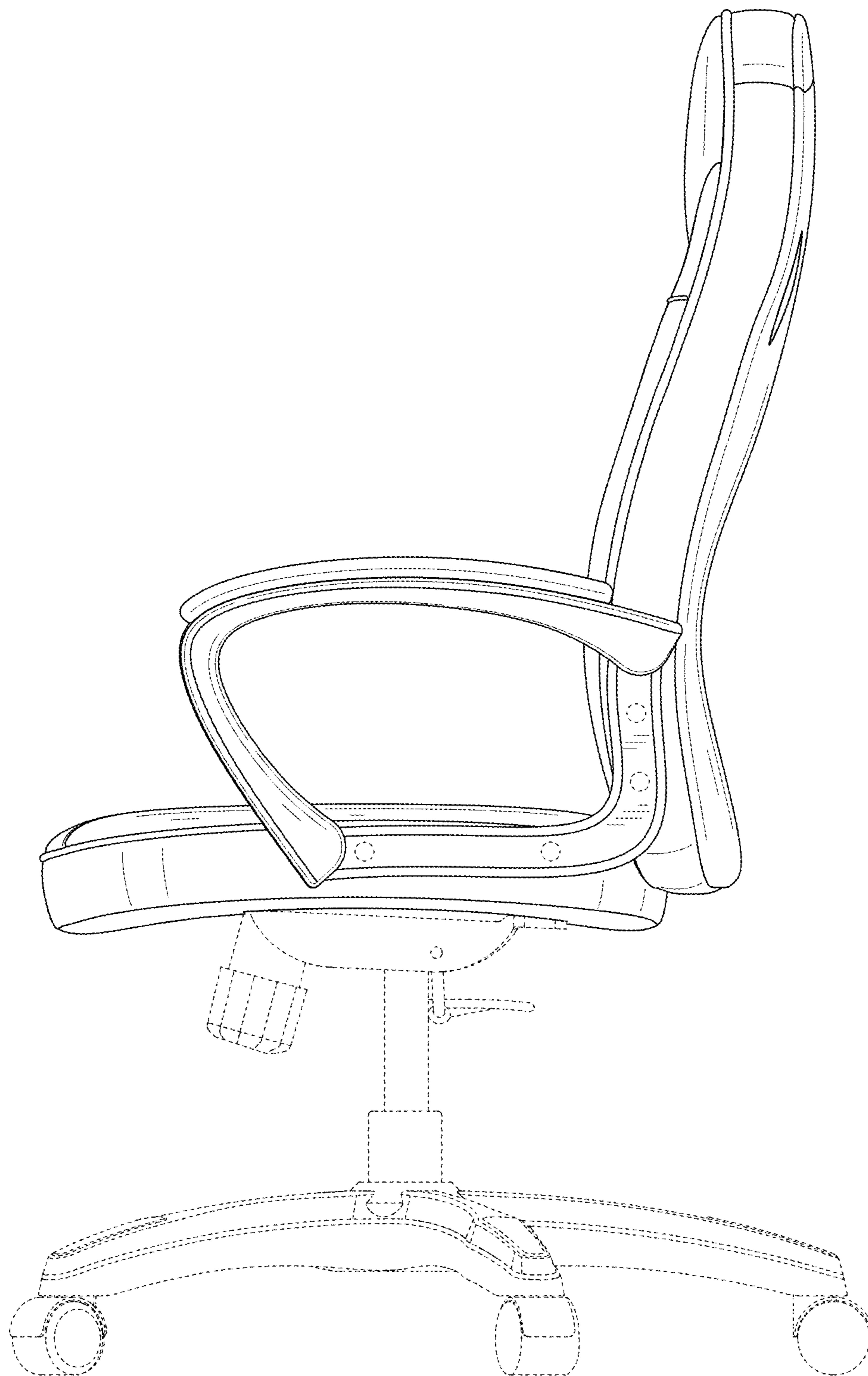


FIG. 5

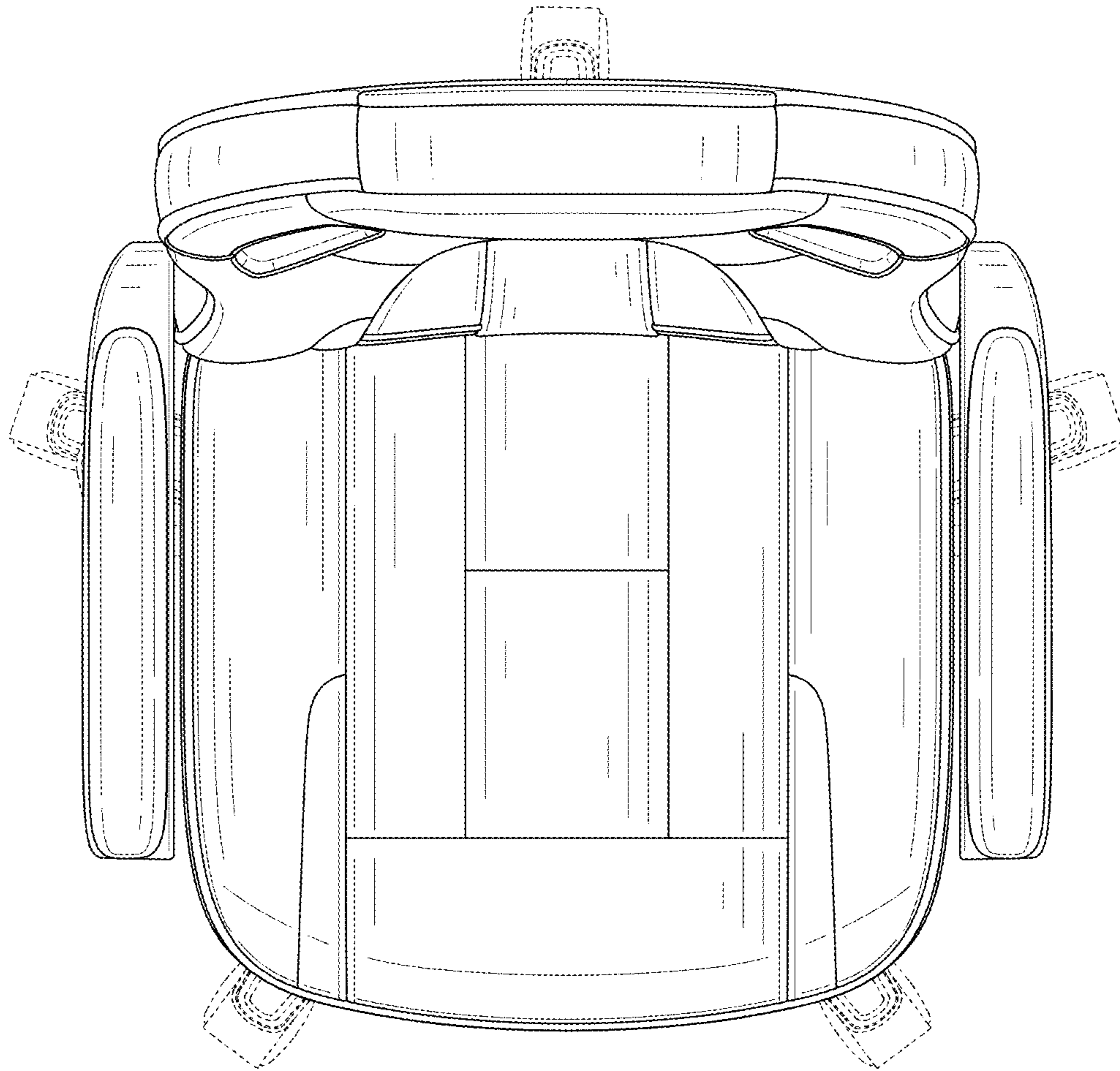


FIG. 6

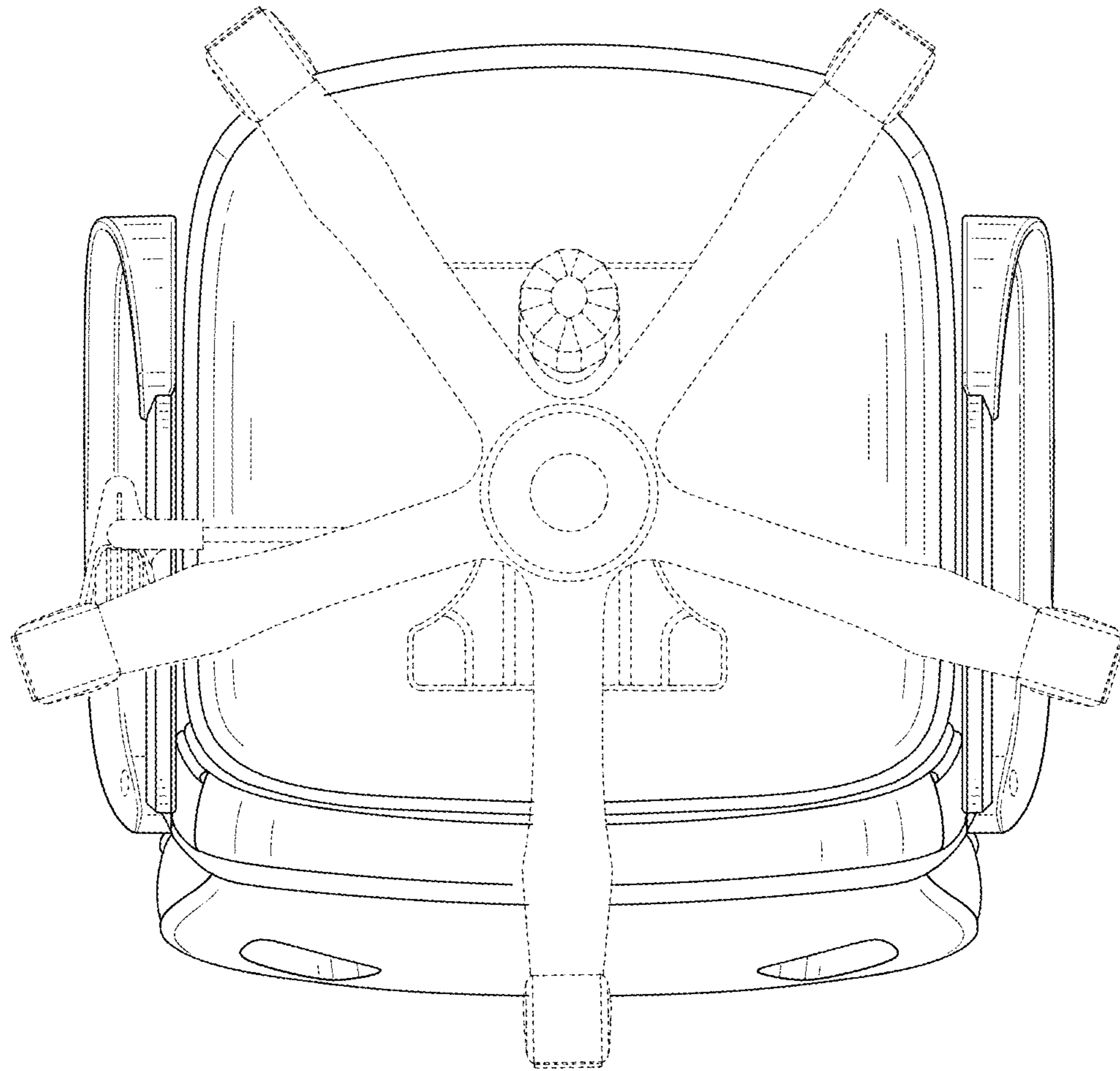


FIG. 7