

US00D869209S

(12) **United States Design Patent**
Tham et al.

(10) **Patent No.:** **US D869,209 S**

(45) **Date of Patent:** **** Dec. 10, 2019**

(54) **RECTANGULAR TABLE**

(71) Applicants: **Siew Kin Tham**, Kluang (MY);
Zachariah Dannett, Los Angeles, CA
(US)

(72) Inventors: **Siew Kin Tham**, Kluang (MY);
Zachariah Dannett, Los Angeles, CA
(US)

(73) Assignee: **Noble House Home Furnishings,**
LLC, Chatsworth, CA (US)

(**) Term: **15 Years**

(21) Appl. No.: **29/632,652**

(22) Filed: **Jan. 9, 2018**

(51) **LOC (12) Cl.** **06-03**

(52) **U.S. Cl.**
USPC **D6/691.1**

(58) **Field of Classification Search**
USPC D6/641, 685, 686, 690, 691, 691.1–691.9
CPC A47B 7/00; A47B 13/00; A47B 13/02;
A47B 13/04; A47B 13/08; A47B 21/00;
A47B 2200/0001; A47B 2200/0011;
A47B 2200/0012; A47B 2200/0013

See application file for complete search history.

(56) **References Cited**

U.S. PATENT DOCUMENTS

D90,849 S * 10/1933 Kayser A47B 3/12
D6/691.1
D201,139 S * 5/1965 Anderson D21/784
3,463,099 A * 8/1969 Doucette A47B 3/12
108/167

D406,708 S * 3/1999 Hilton D6/349
D554,888 S * 11/2007 Ciabatti D6/686
D719,379 S * 12/2014 Tsuchiyama A47B 3/0912
D6/656
D779,862 S * 2/2017 Everson A47B 3/0818
D6/691.1
2011/0203493 A1* 8/2011 Ashby A47B 3/0818
108/127
2014/0208992 A1* 7/2014 Cai A47B 3/0912
108/168

OTHER PUBLICATIONS

A-Frame Table—Sons of sawdust <https://sons-of-sawdust.myshopify.com/products/a-frame-table> retrieved from the internet on Jul. 11, 2019.*

18th Century Spanish Walnut Console A-Frame Table—1stdibs.com—Date of manufacture—1700s https://www.1stdibs.com/furniture/tables/console-tables/18th-century-spanish-walnut-console-frame-table-from-region-catalonia/id-f_12861722/ retrieved from the internet on Jul. 11, 2019.*

* cited by examiner

Primary Examiner — Mary Ann Calabrese

(57) **CLAIM**

The ornamental design for a rectangular table, as shown and described.

DESCRIPTION

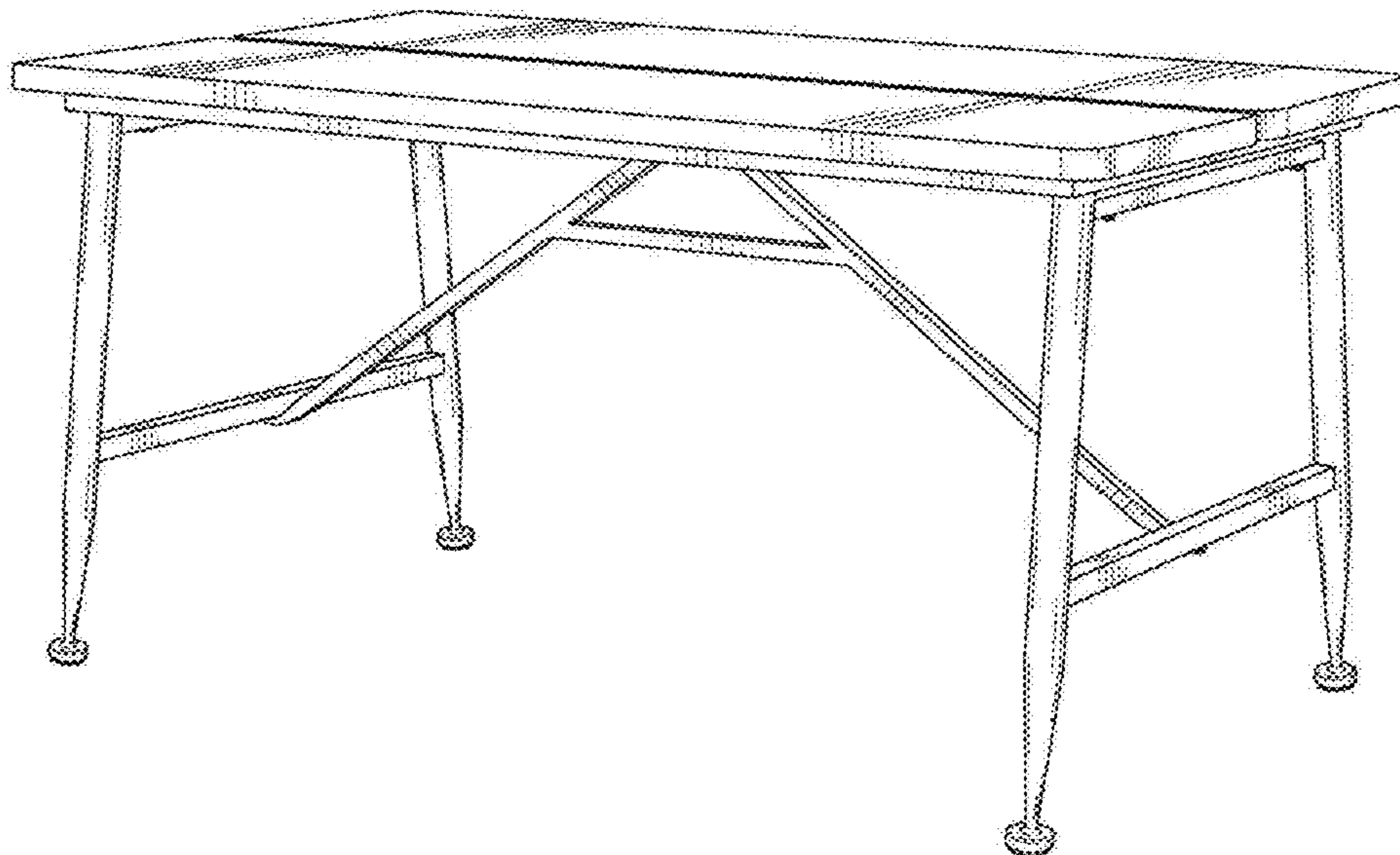
FIG. 1 is a perspective view of a rectangular table, showing our new design;

FIG. 2 is a front view thereof, the back view being identical; FIG. 3 is a side view thereof, the opposite side being identical;

FIG. 4 is a top view thereof; and,

FIG. 5 is a bottom view thereof.

1 Claim, 5 Drawing Sheets



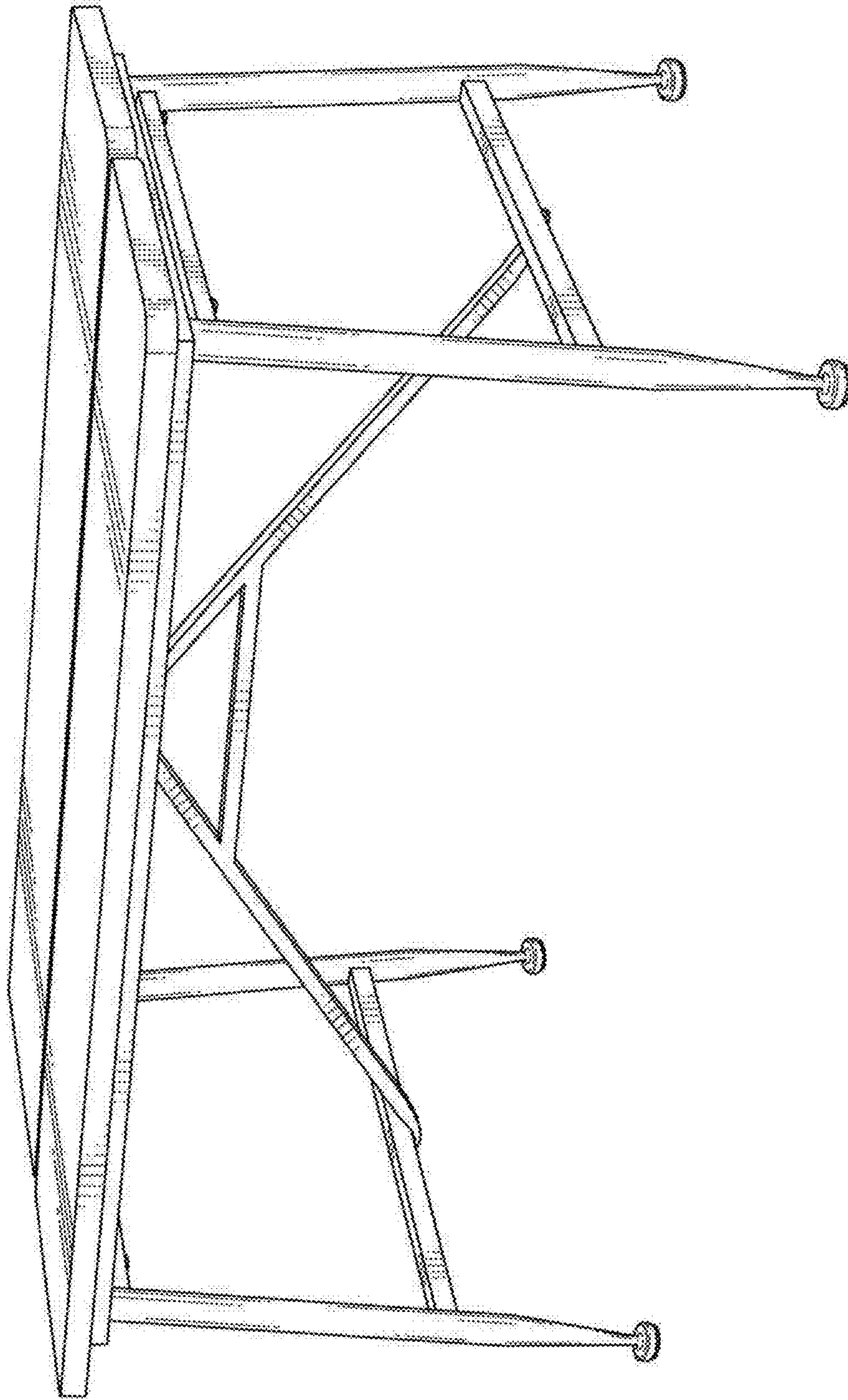


FIG. 1

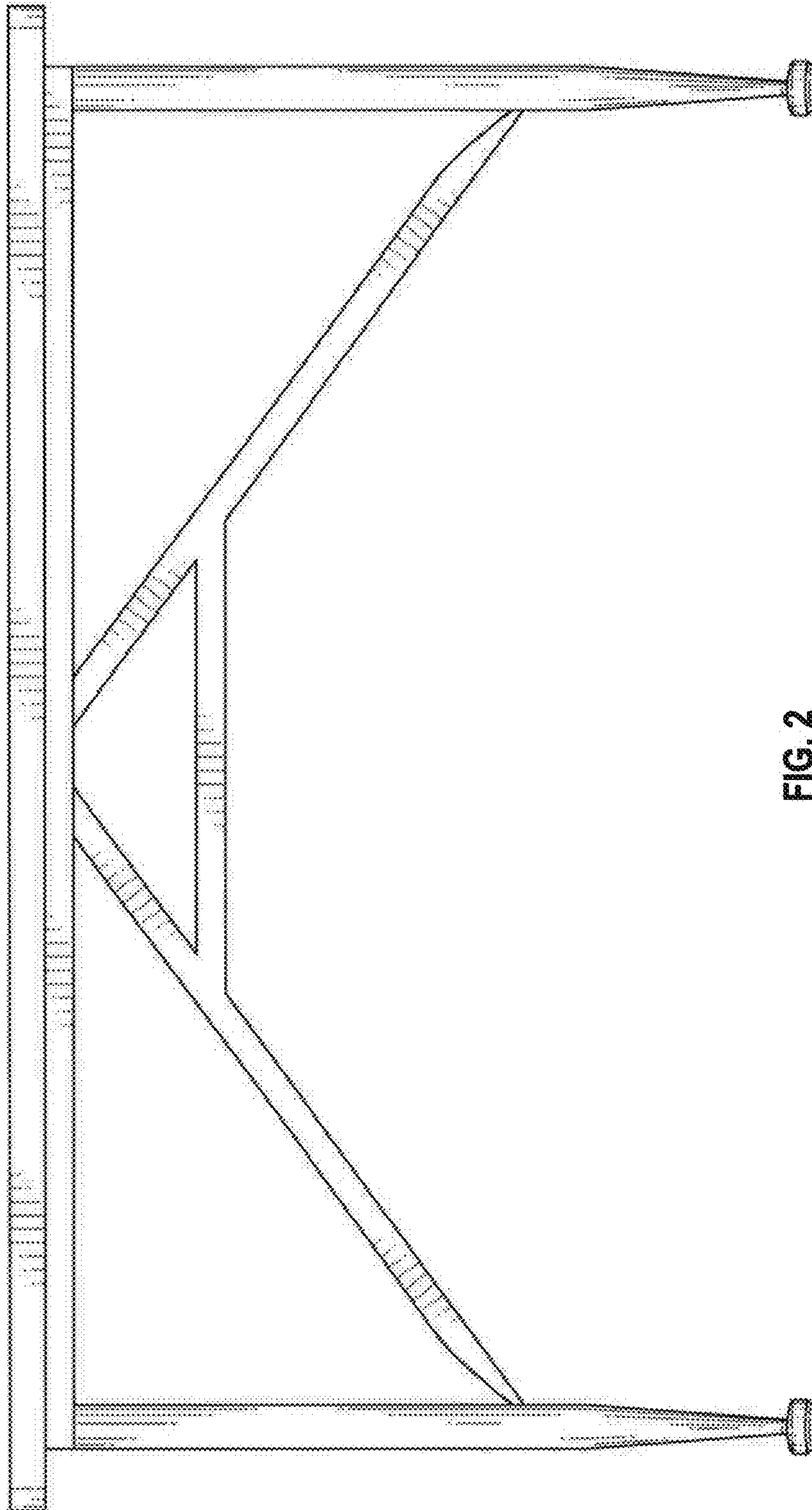


FIG. 2

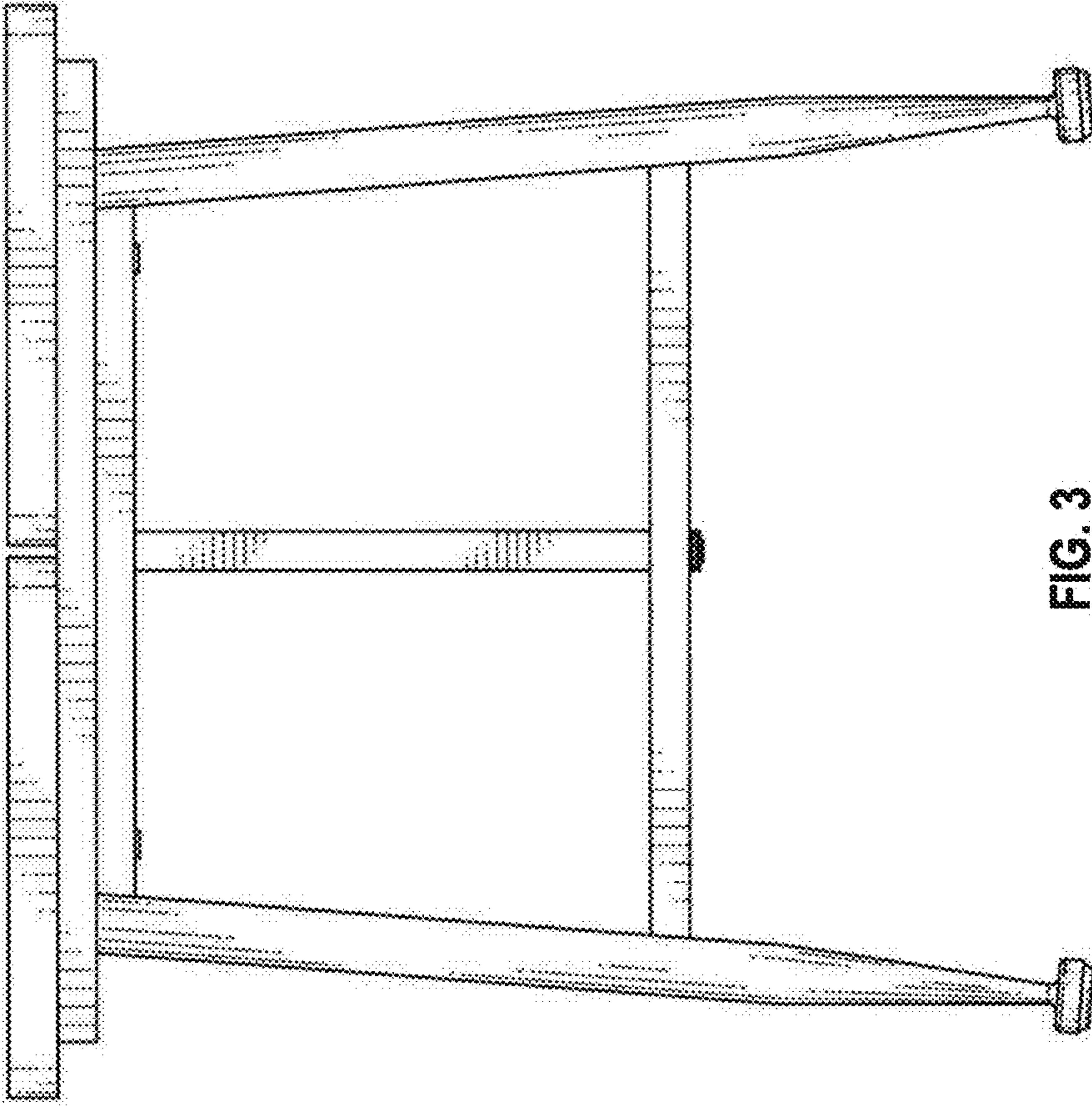


FIG. 3

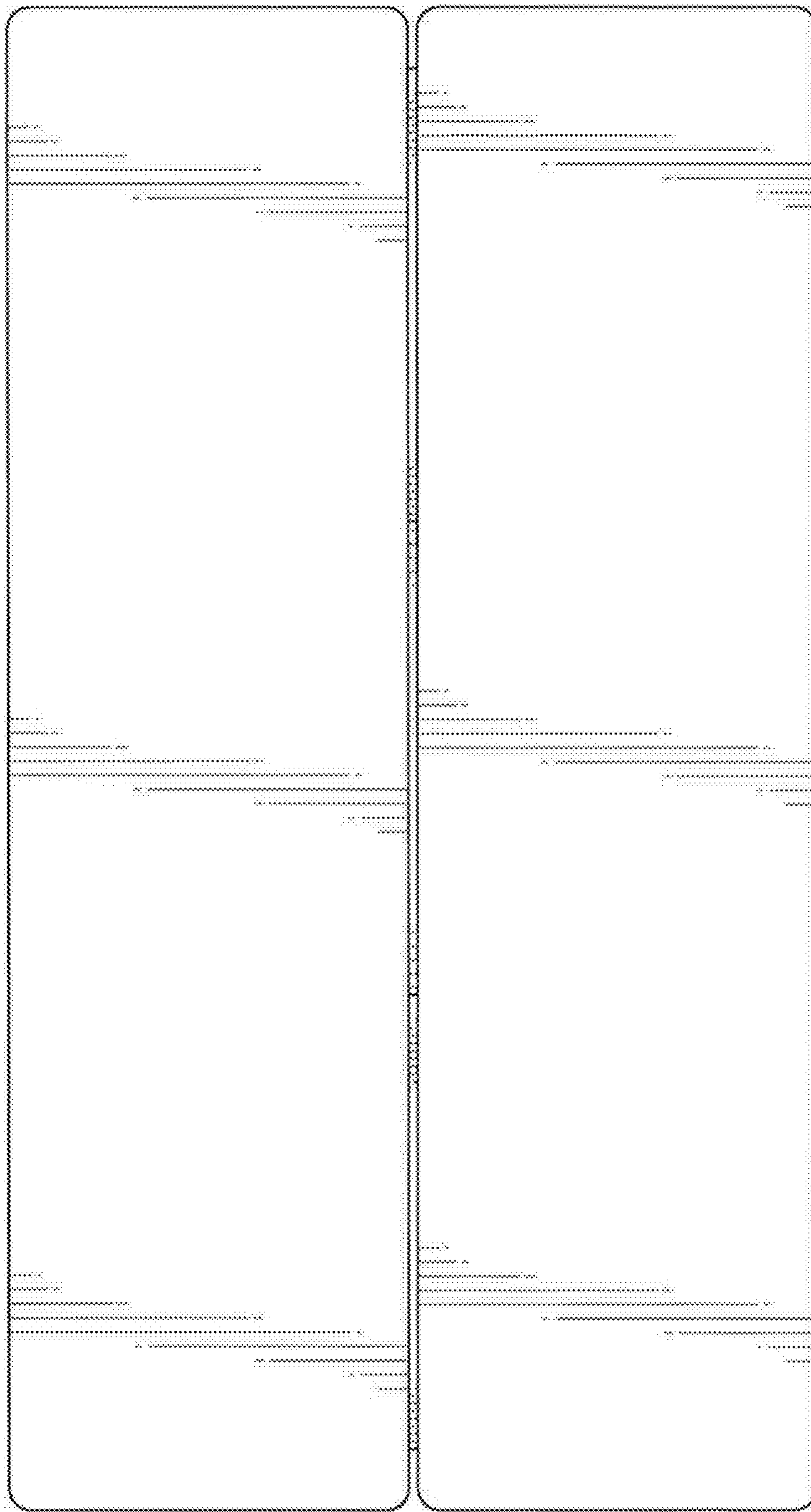


FIG. 4

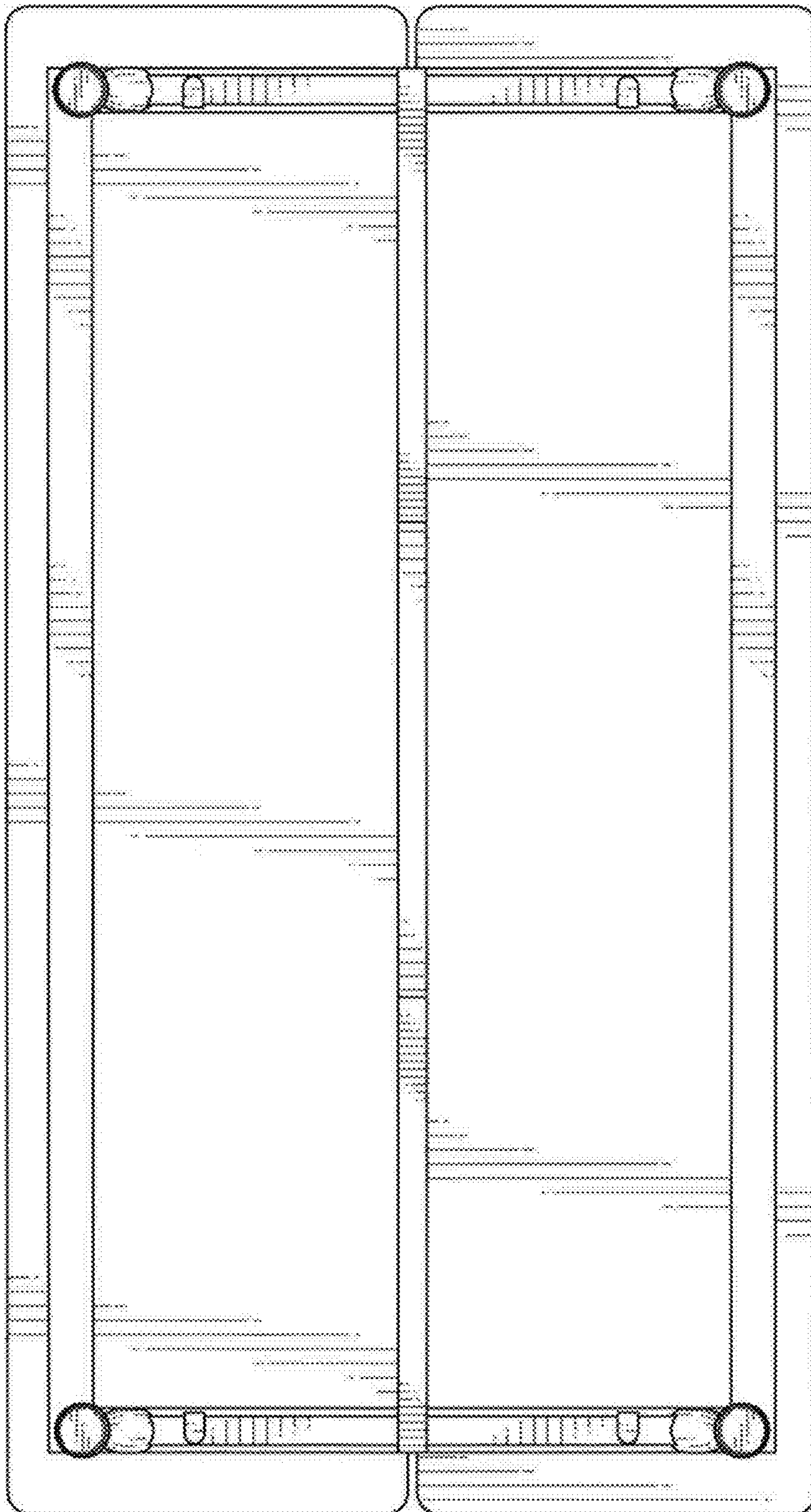


FIG. 5