



US00D869208S

(12) **United States Design Patent** (10) **Patent No.:** **US D869,208 S**  
**Grossinger et al.** (45) **Date of Patent:** **\*\* \*Dec. 10, 2019**

(54) **TABLE**

(71) Applicant: **RAINLIGHT STUDIO LLC**, Culver City, CA (US)

(72) Inventors: **Susan Grossinger**, Culver City, CA (US); **Yorgo Lykouria**, London (GB); **Clay Pendergrast**, Culver City, CA (US); **Matthew Hern**, Malibu, CA (US); **Hiroshi Saotome**, Yokohama (JP); **Hidetaka Sekikawa**, Yokohama (JP)

(73) Assignee: **RAINLIGHT STUDIO LLC**, Culver City, CA (US)

(\*) Notice: This patent is subject to a terminal disclaimer.

(\*\*) Term: **15 Years**

(21) Appl. No.: **29/647,267**

(22) Filed: **May 11, 2018**

(51) **LOC (12) Cl.** ..... **06-03**

(52) **U.S. Cl.**  
USPC ..... **D6/691**

(58) **Field of Classification Search**  
USPC ..... D6/641, 657, 685, 686, 689, 690, 691, D6/691.1, 691.2, 691.3, 691.4, 691.5, D6/691.6, 691.7, 691.8, 691.9, 699, D6/699.1, 699.2, 699.3, 699.4, 699.5, D6/702, 707, 707.15, 708, 709  
CPC .. A47B 37/00; A47B 3/00; A47B 1/00; A47B 3/06; A47B 3/08; A47B 7/00; A47B 21/00; A47B 23/00; A47B 25/00; A47B 13/08; A47B 3/083; A47B 3/14; A47B 41/00; A47B 17/00; A47B 3/0809; A47B 3/0812; A47B 2013/026; A47B 2200/03; A47B 2200/00; A47B 2003/0821; A47C 3/045

See application file for complete search history.

(56) **References Cited**

U.S. PATENT DOCUMENTS

D376,712 S *	12/1996	Mezger .....	D6/656
D594,677 S *	6/2009	Arkitekter .....	D6/692
D666,845 S *	9/2012	Lievore .....	D6/691
D732,852 S *	6/2015	Park .....	D6/656
D775,876 S *	1/2017	Gaschy .....	D6/691
D781,085 S *	3/2017	Liu .....	D6/691
D792,134 S *	7/2017	Bougay .....	D6/691
D797,478 S *	9/2017	Merritt .....	D6/691
D799,248 S *	10/2017	Miller .....	D6/691
D801,092 S *	10/2017	Merritt .....	D6/691
D828,061 S *	9/2018	Davis .....	D6/691.3

OTHER PUBLICATIONS

Traverse satellite, posted at youtube.com, posted on Jun. 17, 2018, site visited Mar. 25, 2019. online, available from internet: <https://www.youtube.com/watch?v=KrBIJUrrRRo> (Year: 2018).\*

\* cited by examiner

*Primary Examiner* — Mary Ann Calabrese

*Assistant Examiner* — Catherine Ho

(74) *Attorney, Agent, or Firm* — Sughrue Mion, PLLC

(57) **CLAIM**

The ornamental design for a table, as shown and described.

**DESCRIPTION**

FIG. 1 is a perspective view of a table.  
FIG. 2 is a front elevation view thereof.  
FIG. 3 is a right side elevation view thereof. A left side elevation view is a mirror image of the right side elevation view.  
FIG. 4 is a top plan view thereof.  
FIG. 5 is a bottom plan view thereof.  
FIG. 6 is an enlarged sectional view of Line 6-6 in FIG. 2; and,  
FIG. 7 is a sectional view of Line 7-7 in FIG. 6.

**1 Claim, 7 Drawing Sheets**

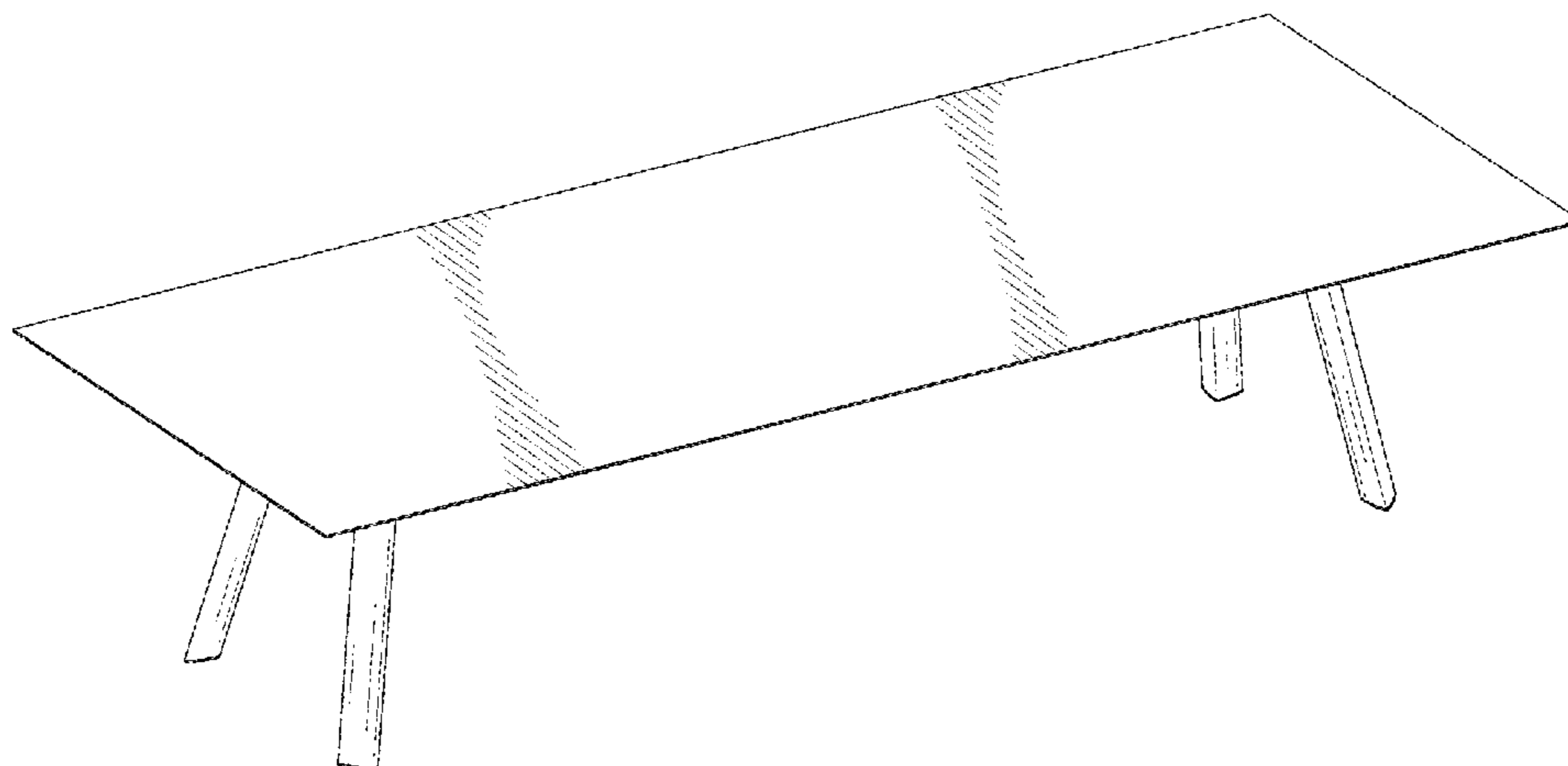


FIG. 1

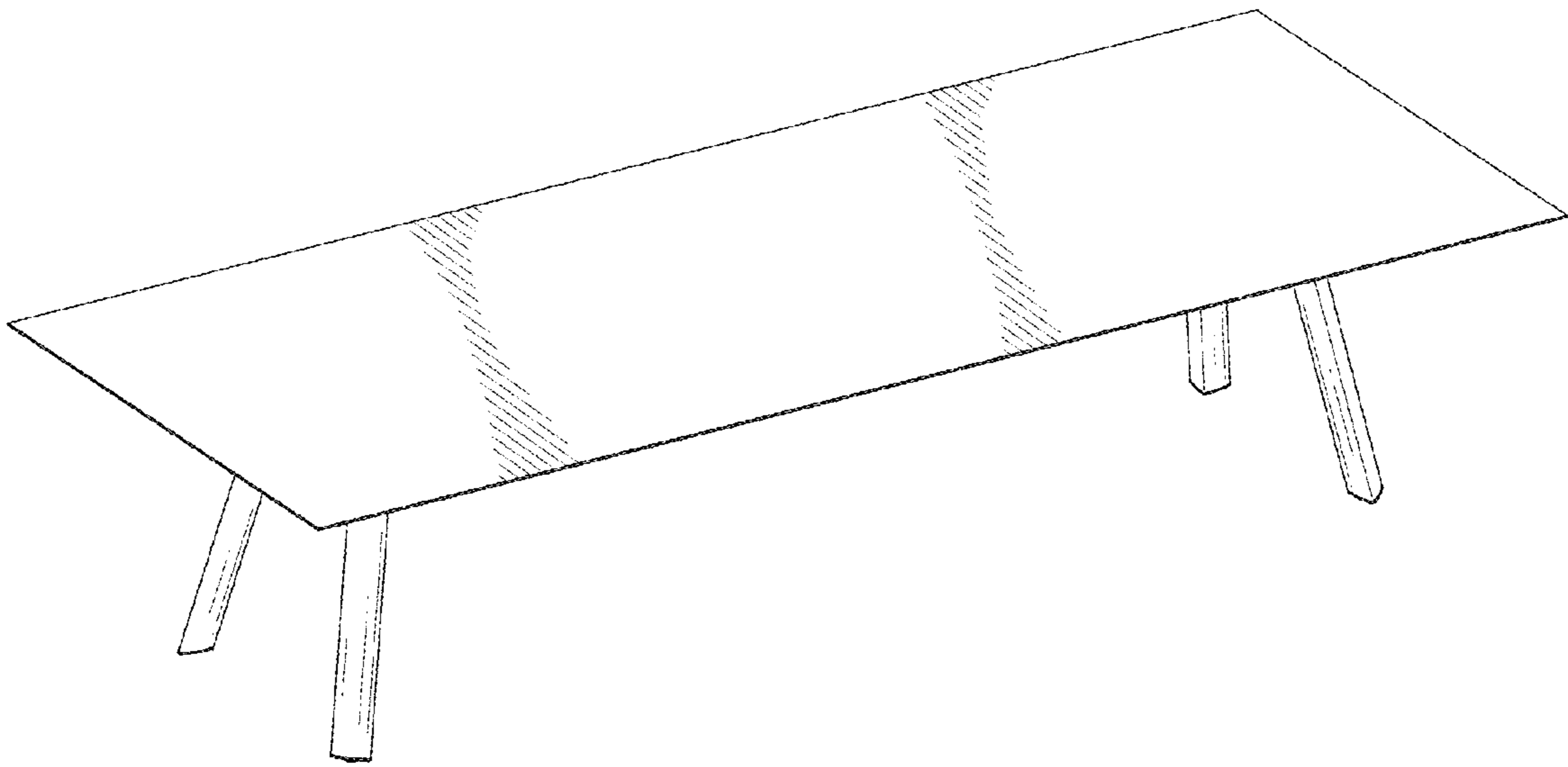
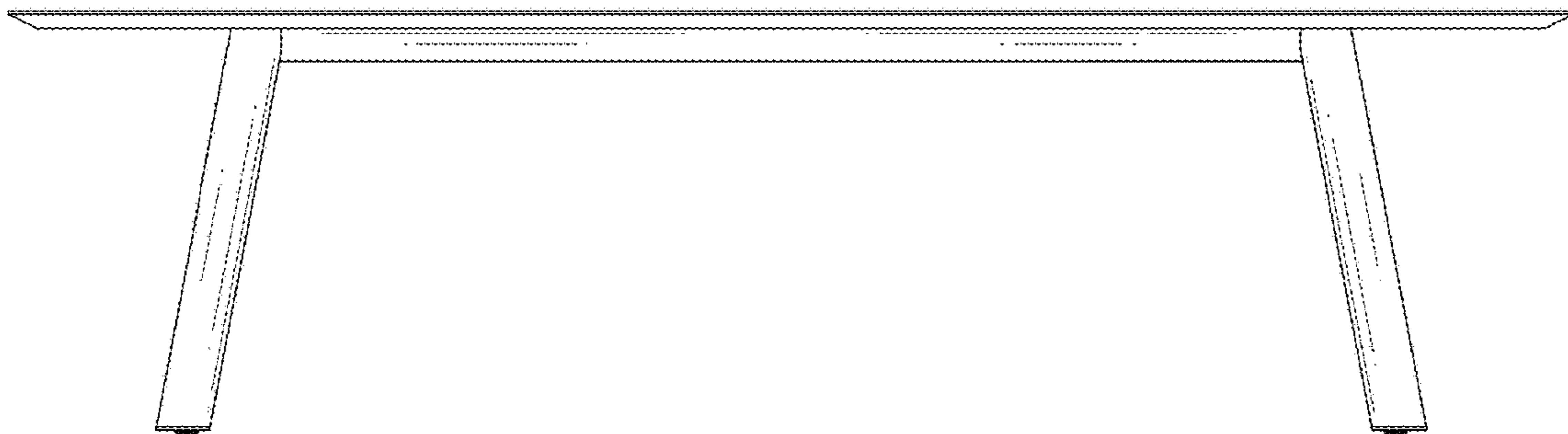


FIG. 2

6  
←



←  
6

FIG. 3

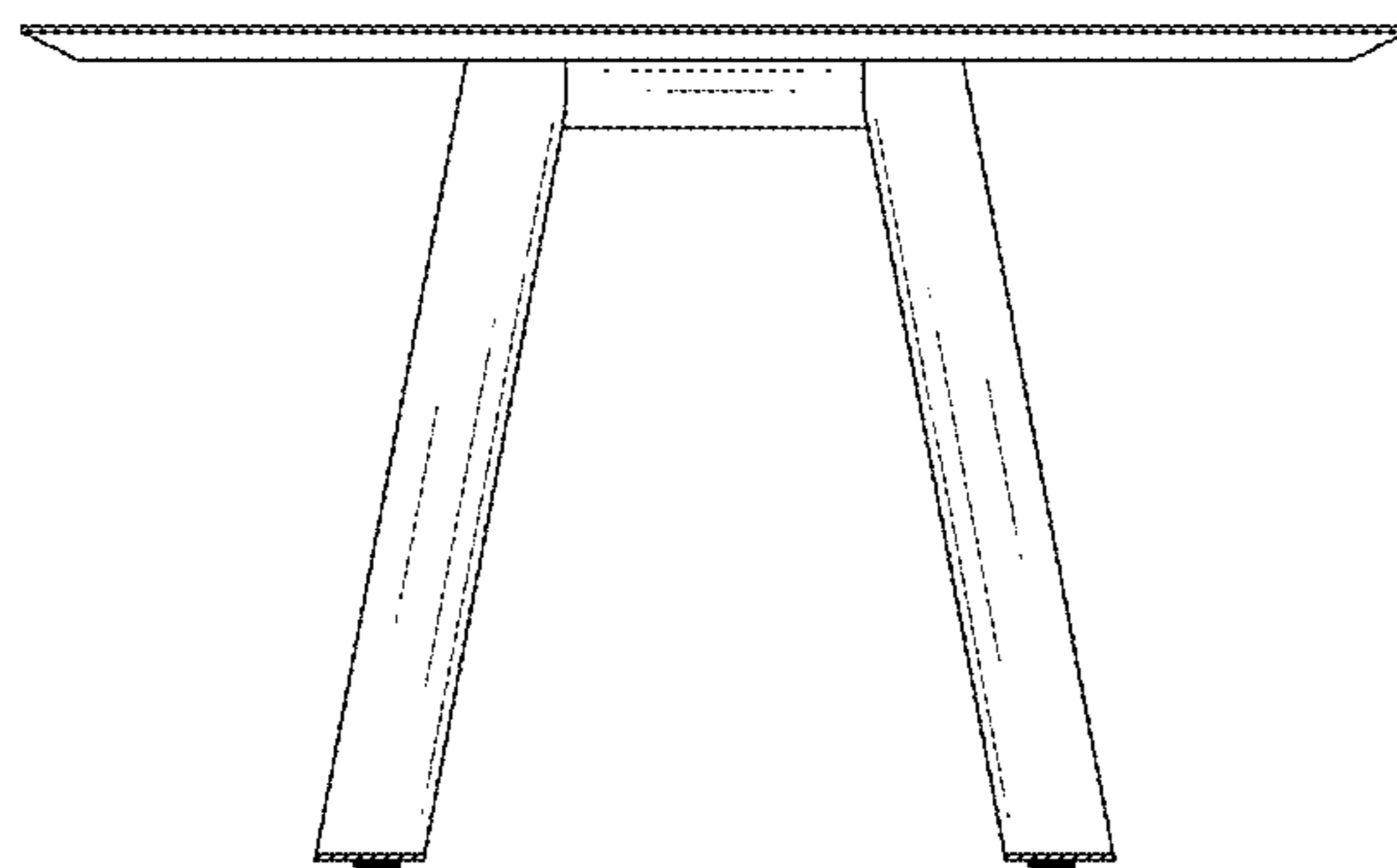


FIG. 4

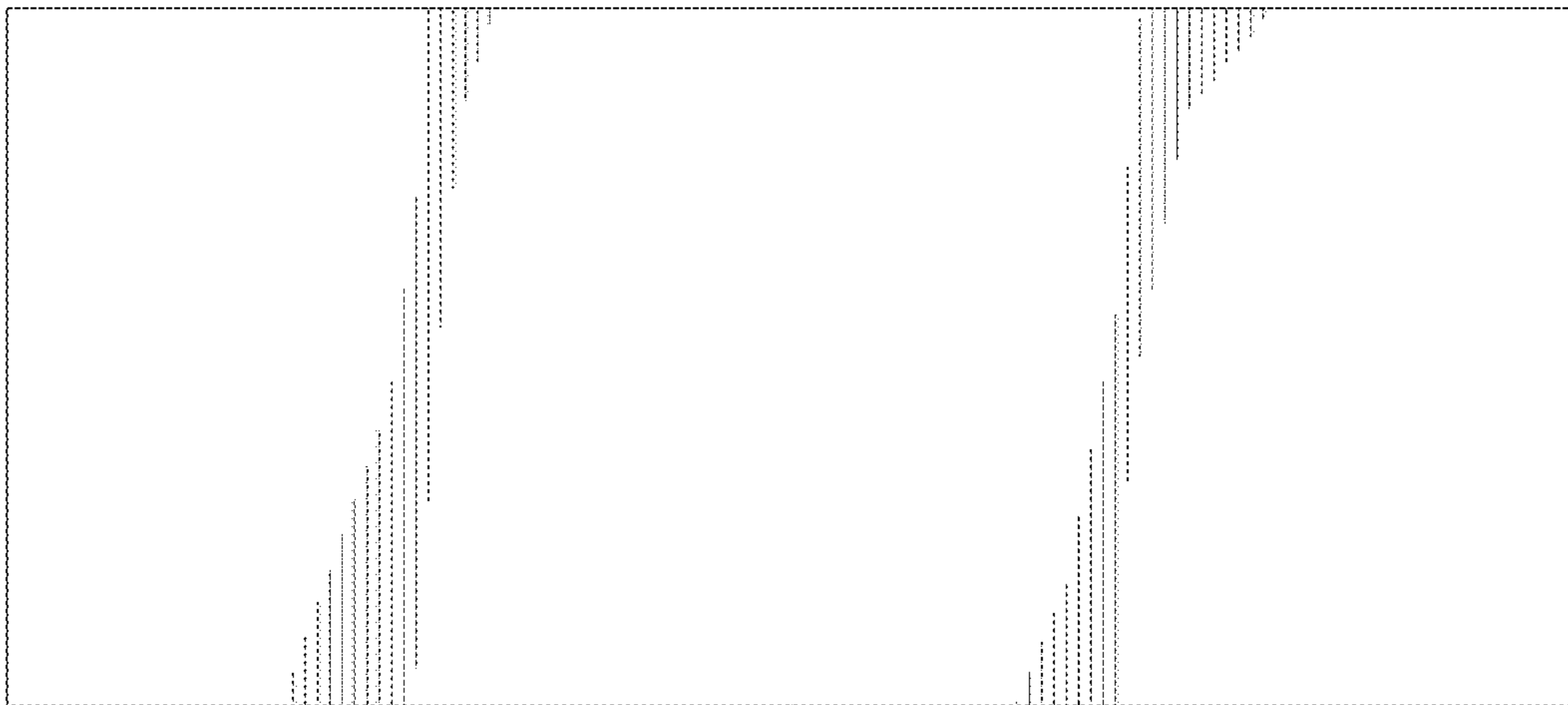


FIG. 5

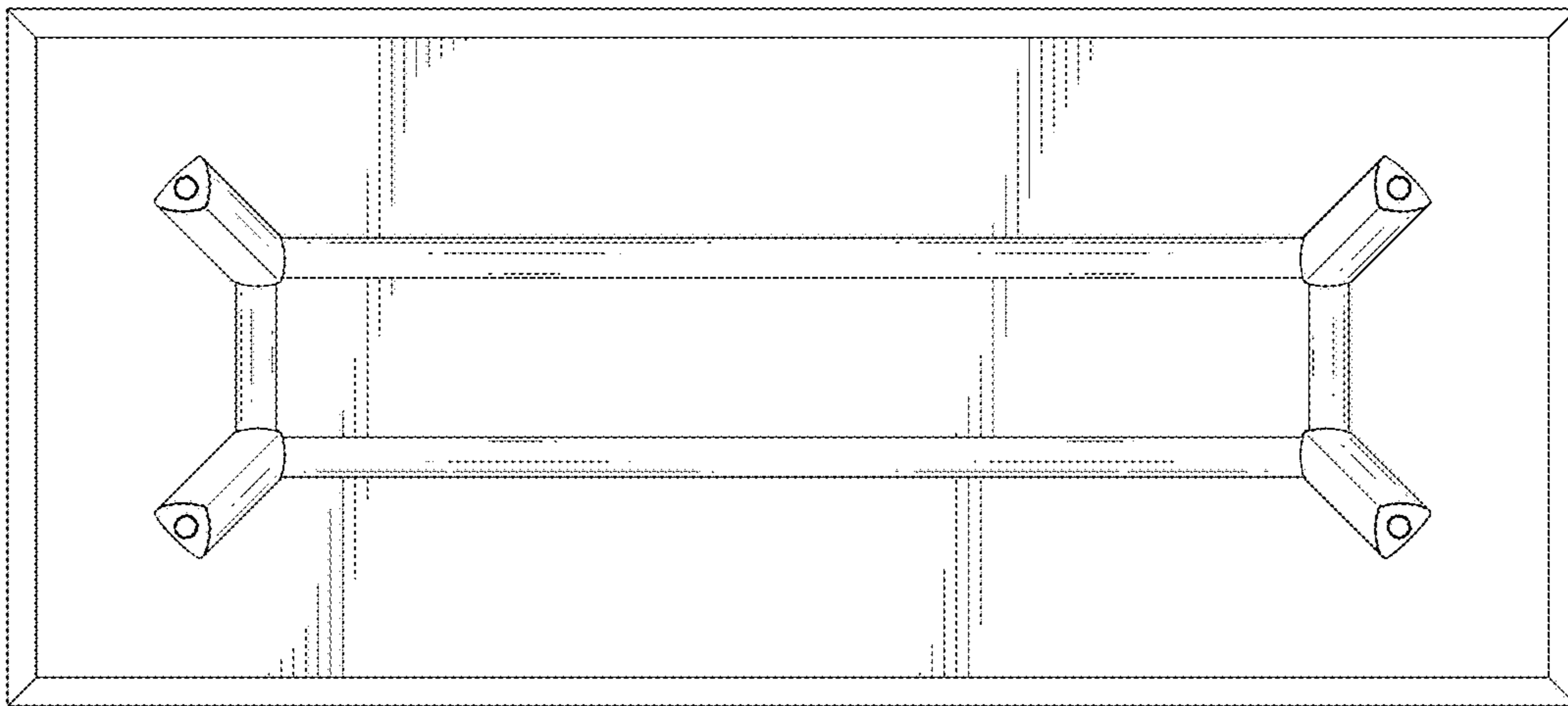


FIG. 6

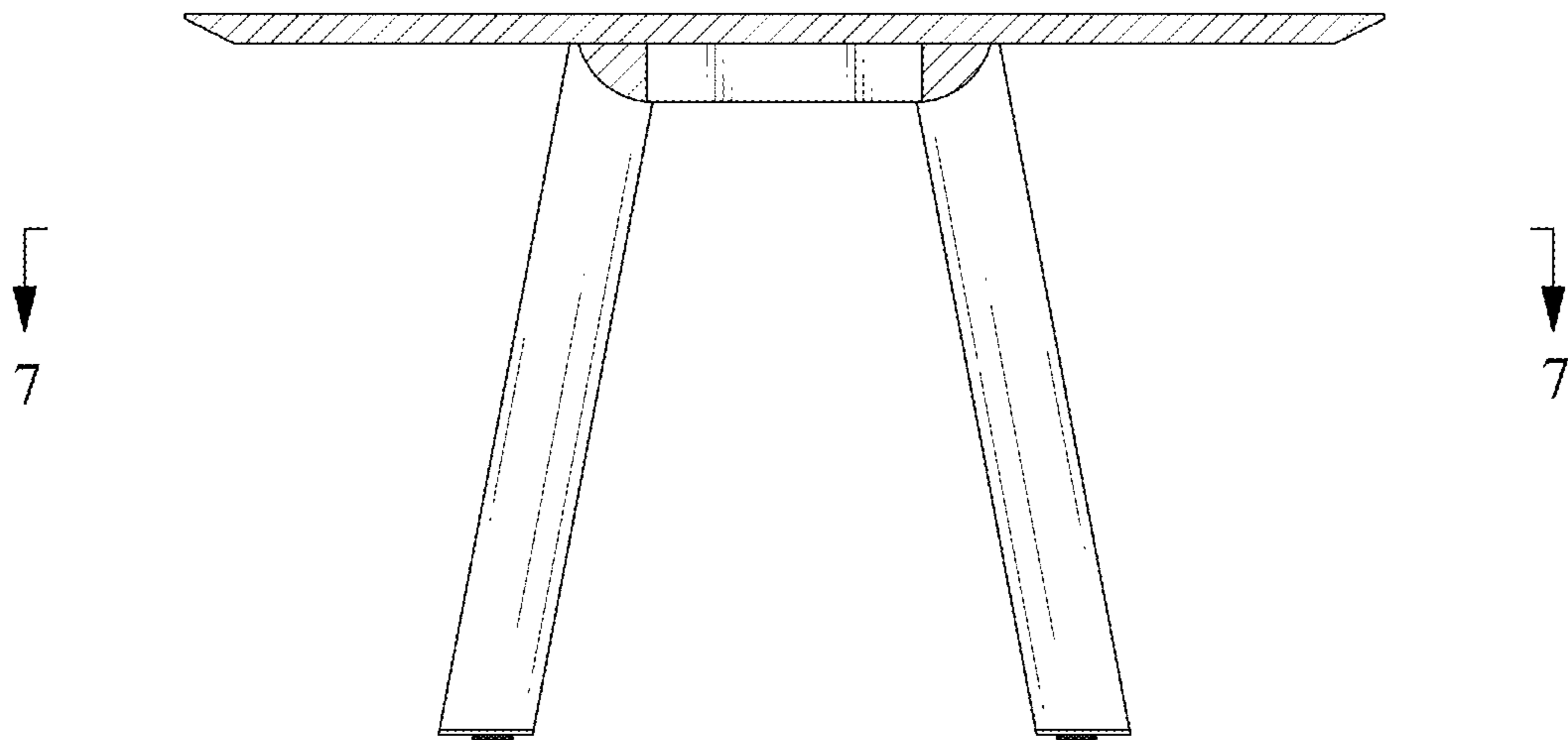


FIG. 7

