

US00D869206S

(12) **United States Design Patent**  
**Wu**

(10) **Patent No.:** **US D869,206 S**

(45) **Date of Patent:** **\*\* Dec. 10, 2019**

(54) **WALL SHELF**

(71) Applicant: **XIAMEN JIALIDE FURNITURE CO., LTD.**, Xiamen (CN)

(72) Inventor: **Xin Wu**, Xiamen (CN)

(\*\*) Term: **15 Years**

(21) Appl. No.: **29/690,528**

(22) Filed: **May 8, 2019**

(51) **LOC (12) Cl.** ..... **06-06**

(52) **U.S. Cl.**  
USPC ..... **D6/675.1**

(58) **Field of Classification Search**  
USPC ..... D6/574, 672, 678, 678.1, 678.2  
CPC ..... A47B 45/00; A47B 57/00; A47B 63/00;  
A47F 5/0018; A47F 5/0025; A47F  
5/0031; A47F 7/00  
See application file for complete search history.

(56) **References Cited**

**U.S. PATENT DOCUMENTS**

D30,064 S \* 1/1899 Andreen ..... D6/514  
D136,722 S \* 11/1943 Waterman ..... D6/514  
2,556,105 A \* 6/1951 Smith ..... A47B 43/006  
108/106

D248,071 S \* 6/1978 Simmons ..... D6/570  
D406,476 S \* 3/1999 Boije  
D485,107 S \* 1/2004 Sung ..... D6/570  
D560,401 S \* 1/2008 Hoglan et al.  
D706,559 S \* 6/2014 Muller ..... D6/678.1  
D725,399 S \* 3/2015 Wang ..... D6/514  
D758,767 S \* 6/2016 Andersson ..... D6/675.1  
D832,613 S \* 11/2018 Parikh ..... D6/574  
D849,458 S \* 5/2019 Nichols ..... D6/672  
D849,459 S \* 5/2019 Wang ..... D6/675.1  
D853,158 S \* 7/2019 Nichols ..... D6/678.1

\* cited by examiner

*Primary Examiner* — Kelley A Donnelly

(74) *Attorney, Agent, or Firm* — Erson IP (Nelson IP)

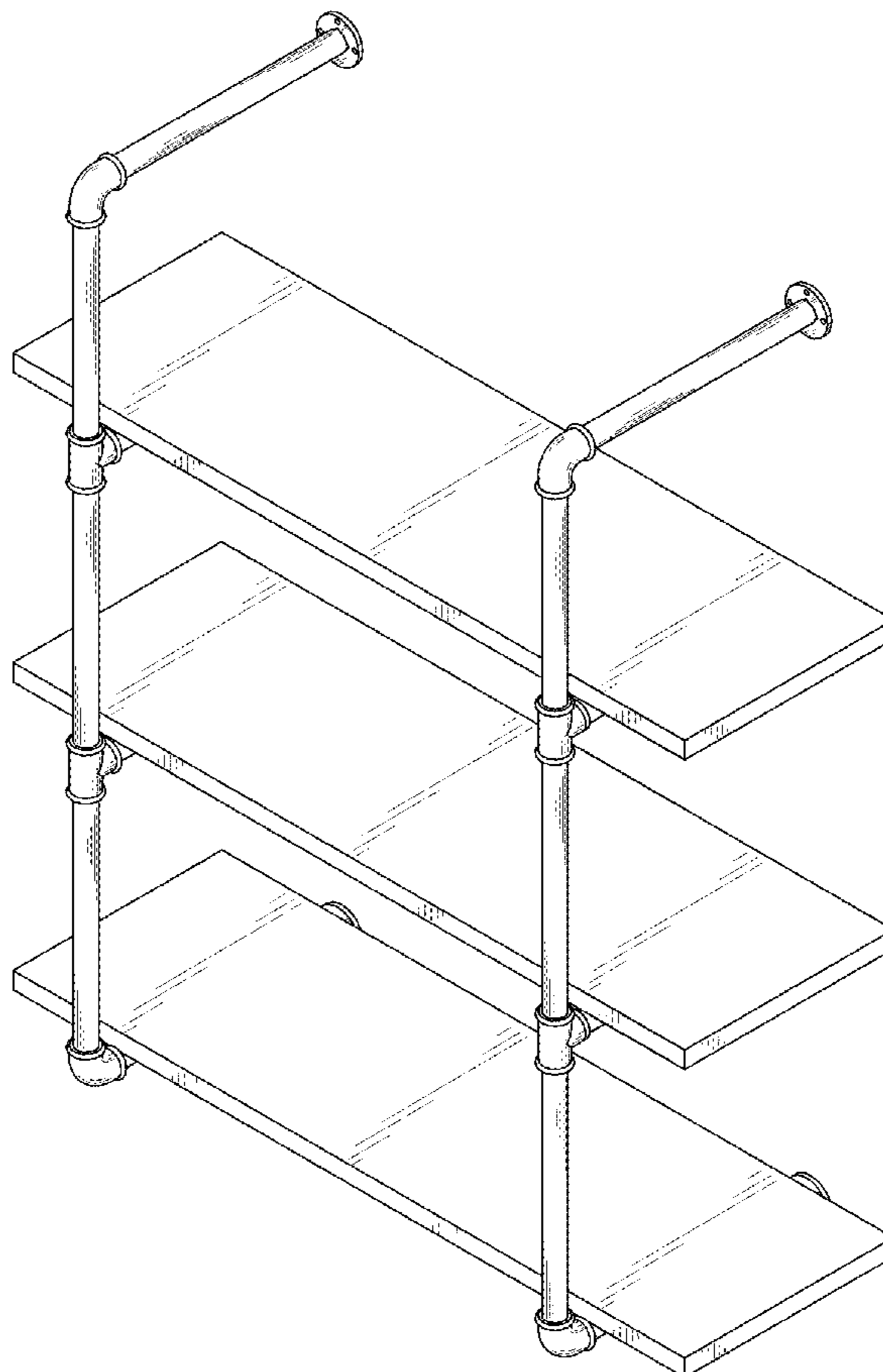
(57) **CLAIM**

The ornamental design for a wall shelf, as shown and described.

**DESCRIPTION**

FIG. 1 is a perspective view of a wall shelf showing my new design;  
FIG. 2 is a front view thereof;  
FIG. 3 is a rear view thereof;  
FIG. 4 is a left side view thereof;  
FIG. 5 is a right side view thereof;  
FIG. 6 is a top plan view thereof; and,  
FIG. 7 is a bottom plan view thereof.

**1 Claim, 7 Drawing Sheets**



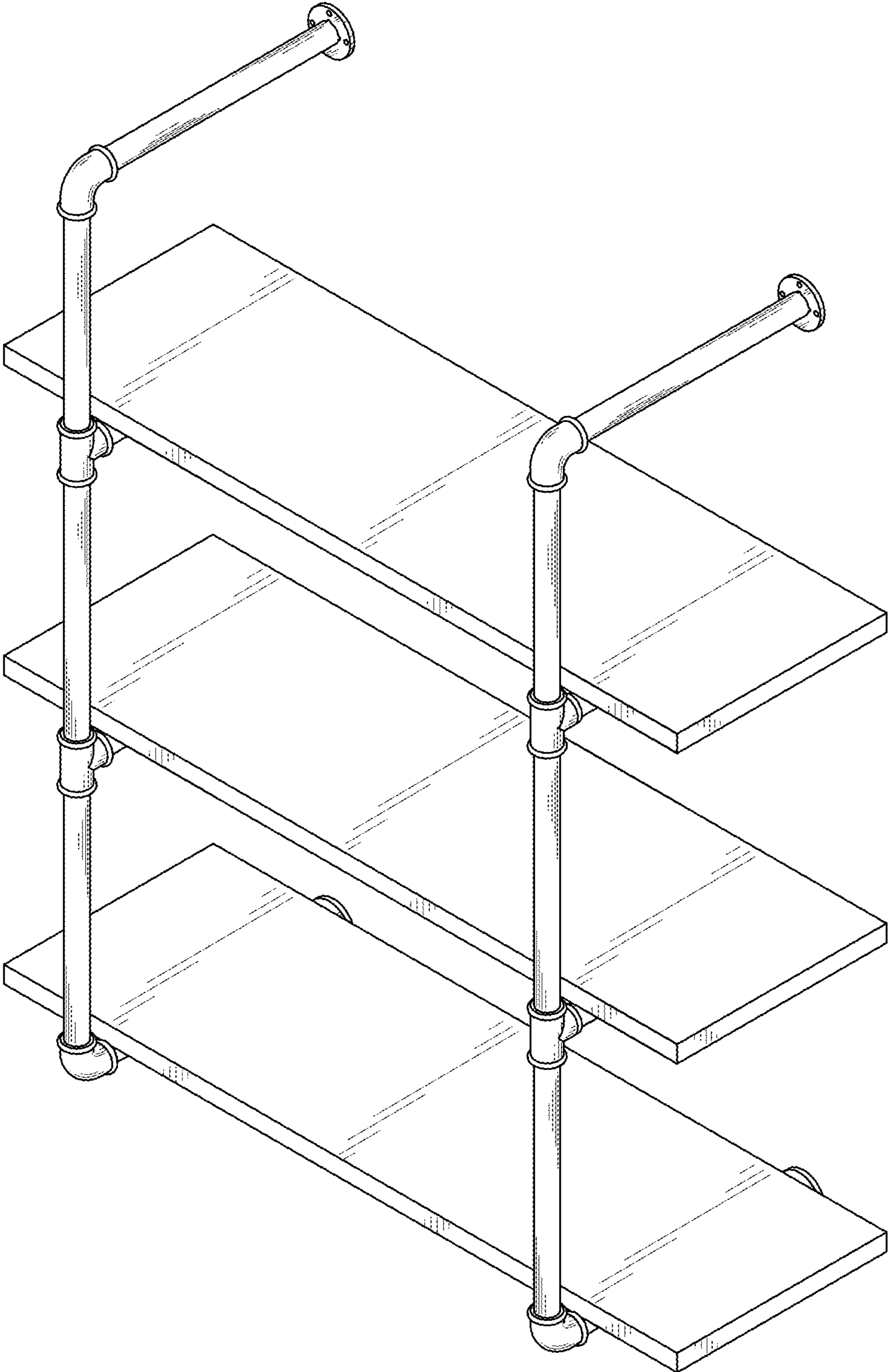


FIG. 1

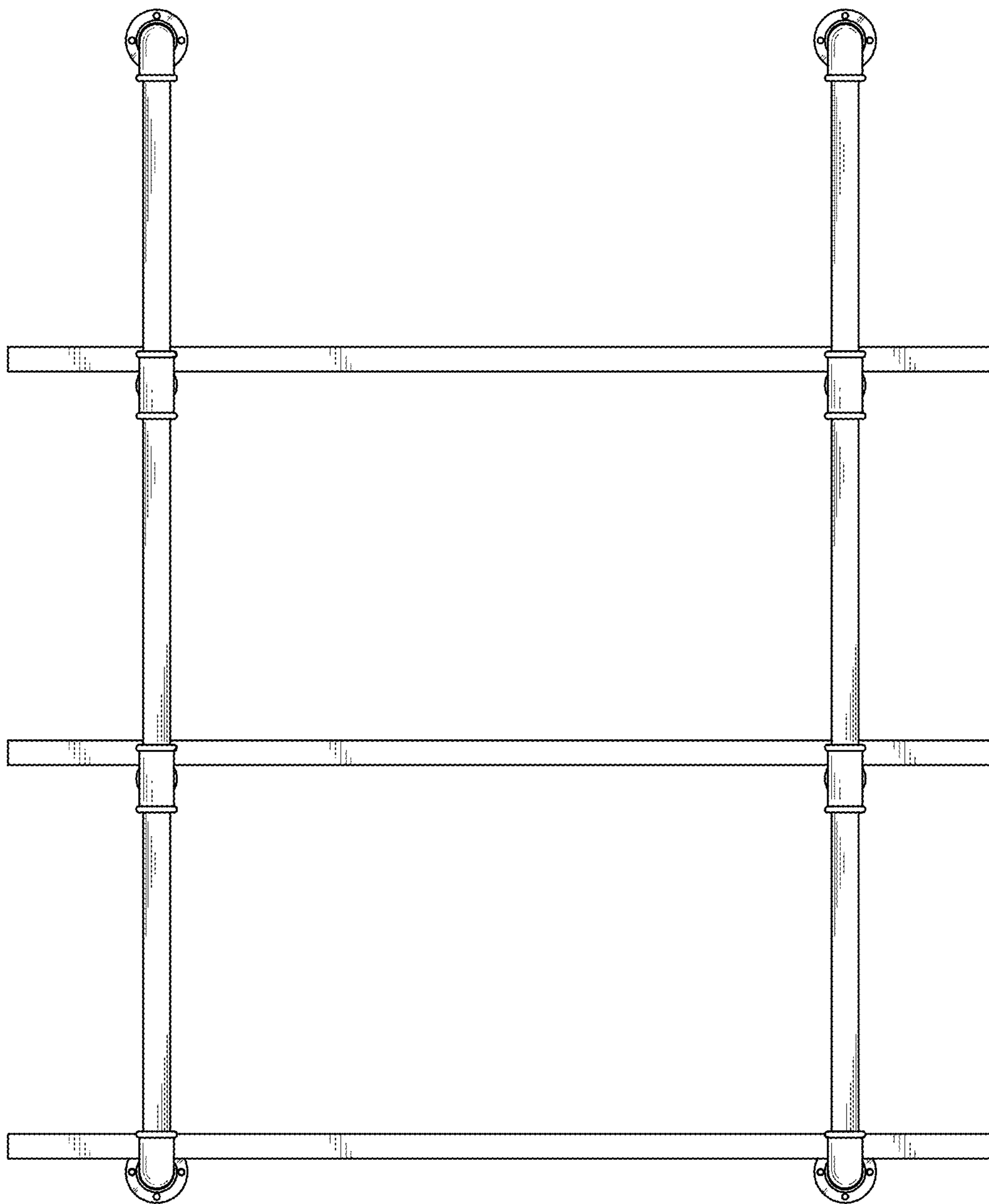


FIG. 2

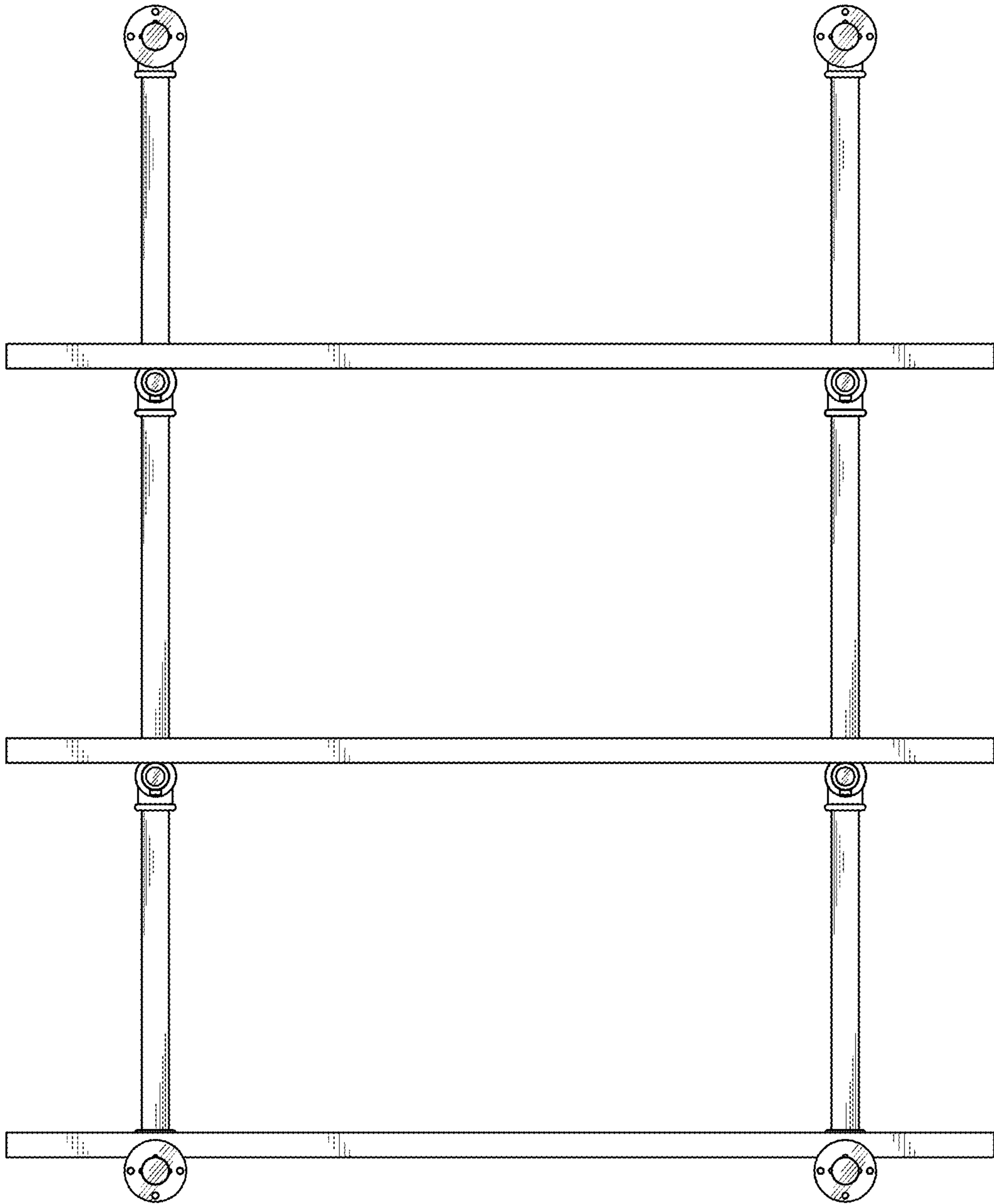


FIG. 3

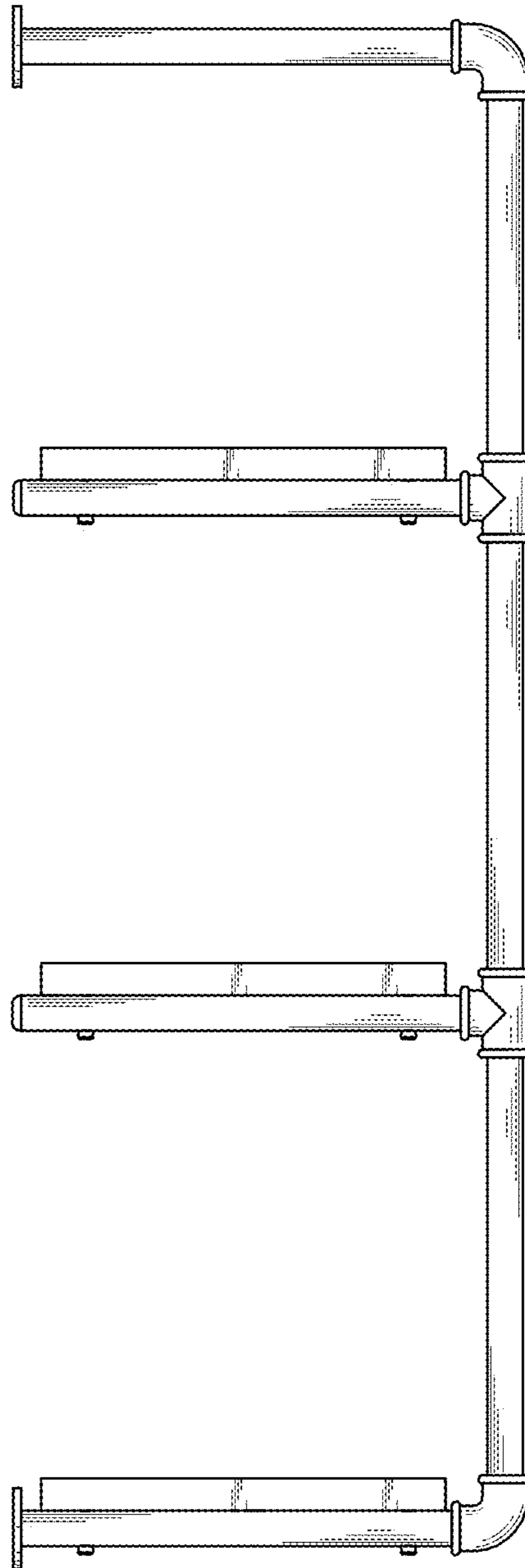
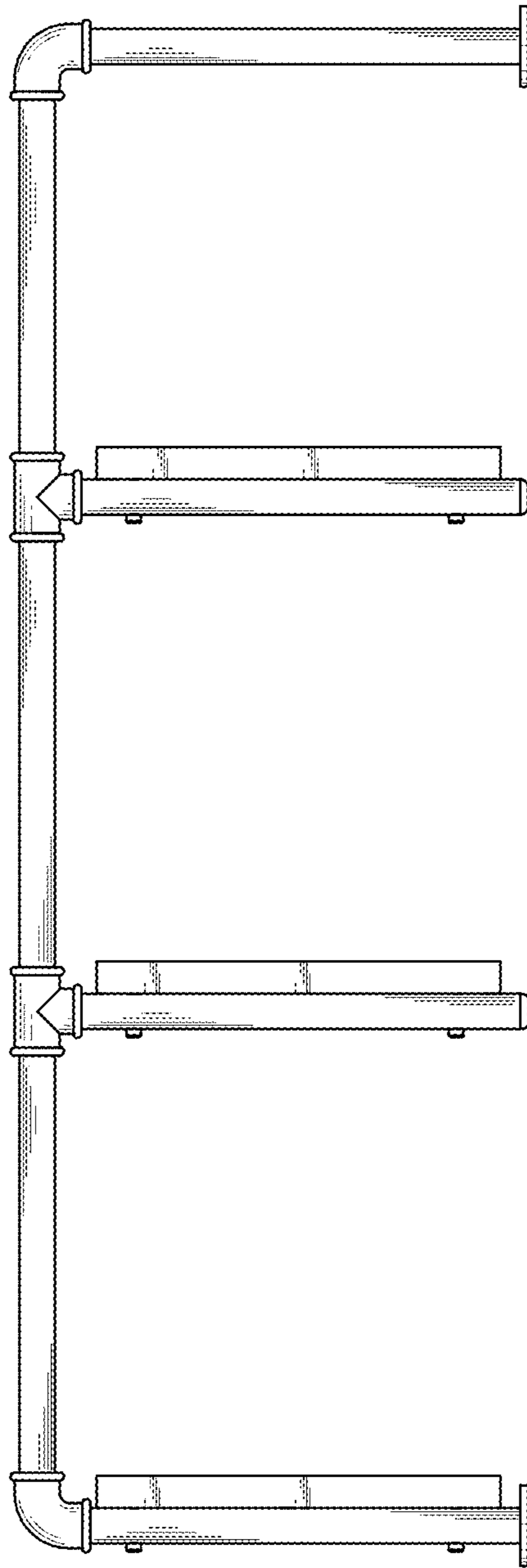
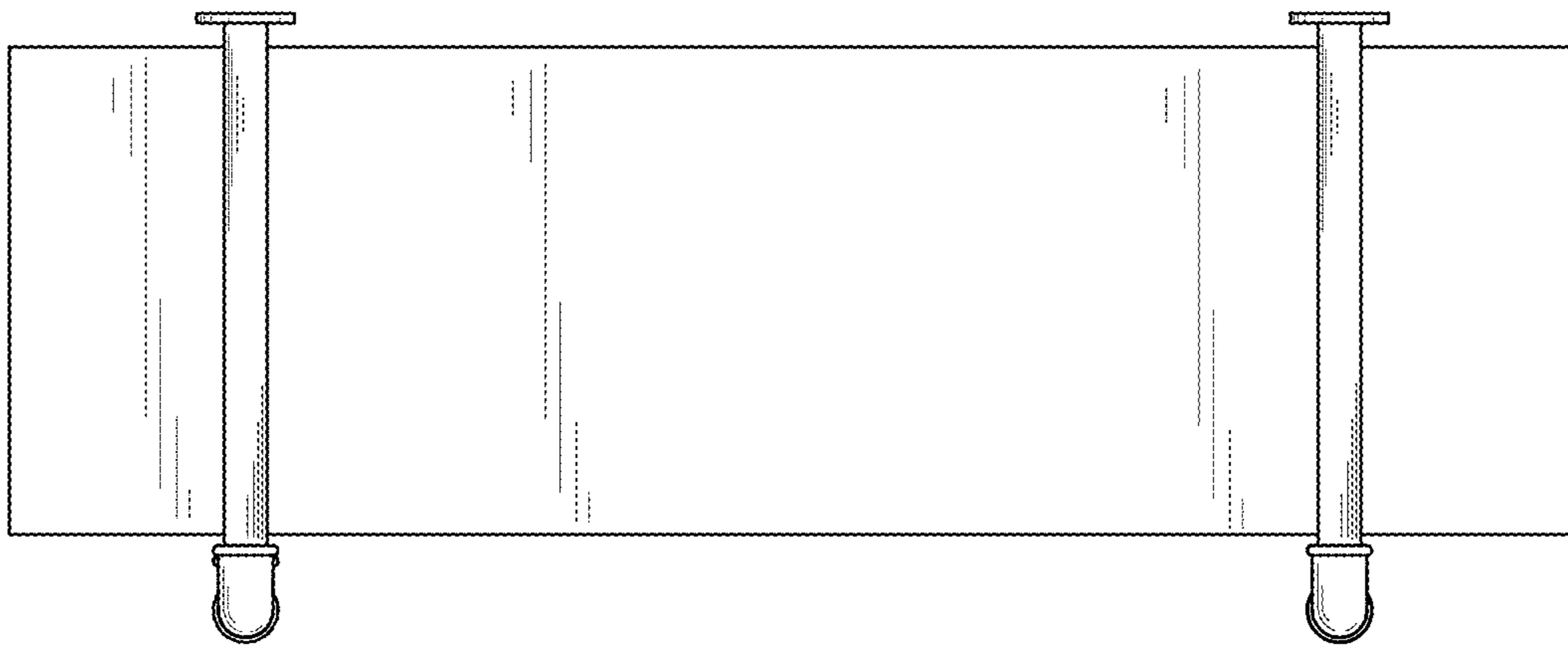


FIG. 4

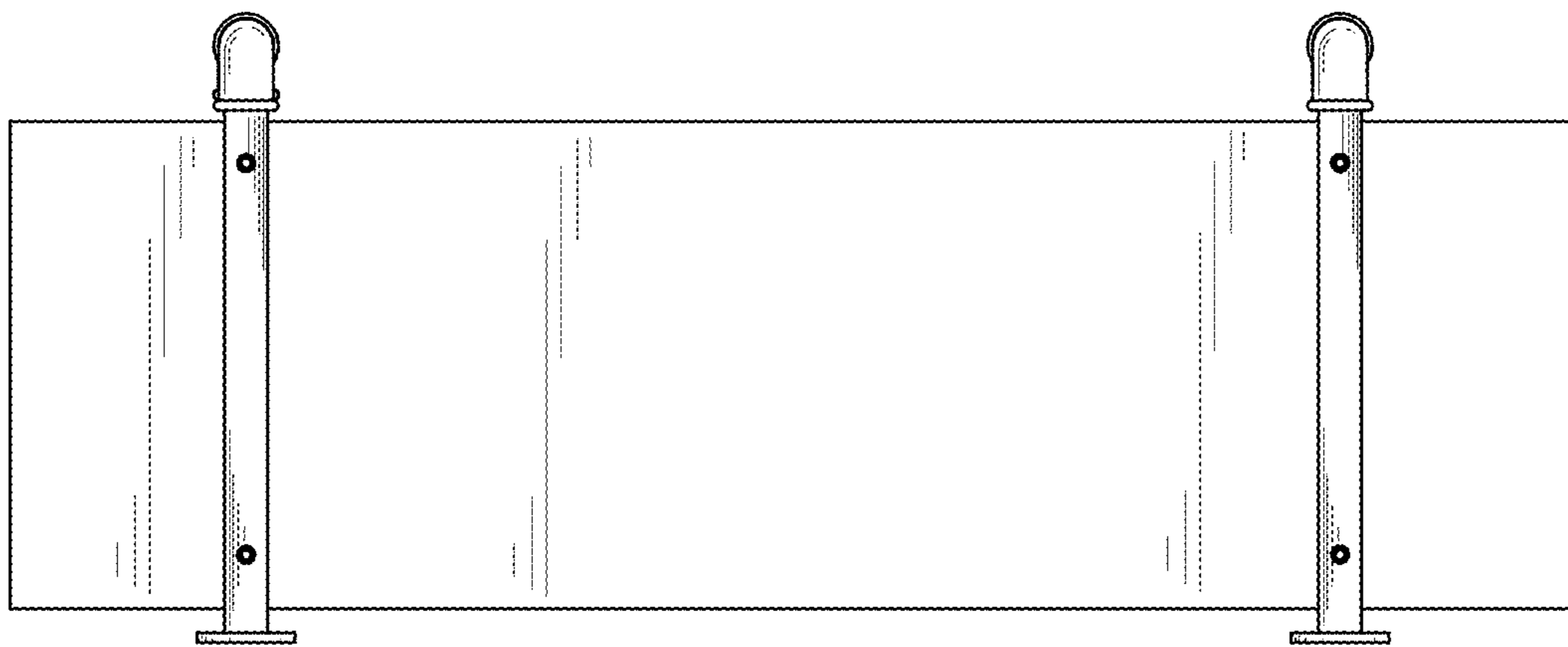


**FIG. 5**



**FIG. 6**





**FIG. 7**