



US00D869199S

(12) **United States Design Patent** (10) **Patent No.:** **US D869,199 S**
Campbell et al. (45) **Date of Patent:** **** Dec. 10, 2019**

(54) **LINEN BENCH** 2,786,513 A * 3/1957 Hoven A47C 7/26
 297/218.5
 (71) Applicant: **Signature Healthcare, LLC,** D213,885 S * 4/1969 Jensen D6/667
 Louisville, KY (US) D381,223 S * 7/1997 Brunner D6/664
 D402,478 S * 12/1998 Escobar D6/335
 (72) Inventors: **Clay Campbell,** Shelbyville, KY (US); D427,788 S * 7/2000 Paul D6/336
Jack D. Ferrell, Florence, KY (US); D443,767 S * 6/2001 Bernes D6/336
Sidney Medlock, Portland, TN (US) D509,075 S * 9/2005 Katz D6/336
 D567,526 S * 4/2008 Williams D6/381
 D674,616 S * 1/2013 Frankel D6/349

(73) Assignee: **Signature Healthcare, LLC,**
 Louisville, KY (US)

(**) Term: **15 Years**

(21) Appl. No.: **29/616,667**

(22) Filed: **Sep. 7, 2017**

(51) **LOC (12) Cl.** **06-04**

(52) **U.S. Cl.**
 USPC **D6/657**

(58) **Field of Classification Search**
 USPC D6/336, 349, 350, 352, 353, 355, 362,
 D6/657, 660, 663, 667, 668.1, 669, 671,
 D6/671.2; D21/521
 CPC A47B 5/04; A47C 3/0255; A47C 4/022;
 A47C 4/03; A47C 4/04; A47C 7/26;
 A47C 7/405; A47C 11/00; A47C 31/11;
 Y10T 403/38

See application file for complete search history.

(56) **References Cited**

U.S. PATENT DOCUMENTS

D161,172 S * 12/1950 Greene 297/188.1
 RE24,279 E * 2/1957 Schutte et al. A47C 31/11
 297/227

* cited by examiner

Primary Examiner — Kevin K Rudzinski

Assistant Examiner — Paul D Bohannon

(74) *Attorney, Agent, or Firm* — Carrithers Law Office,
 PLLC; David W. Carrithers

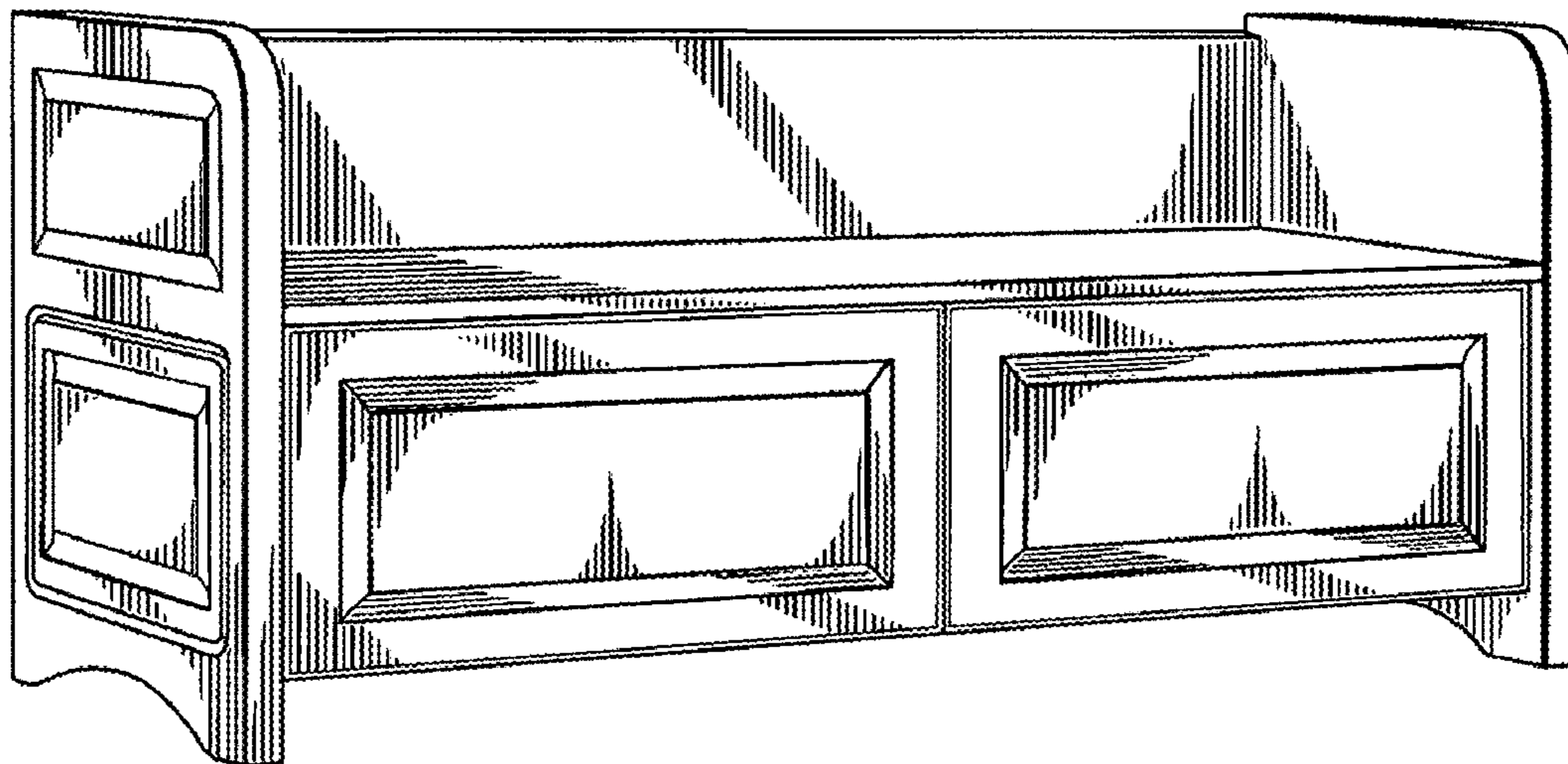
(57) **CLAIM**

The ornamental design for a linen bench, as shown and described.

DESCRIPTION

FIG. 1 is a perspective view of a linen bench showing my new design;
 FIG. 2 is a left side view, the right side view being a mirror image thereof;
 FIG. 3 is a front plan view thereof;
 FIG. 4 is a rear plan view thereof;
 FIG. 5 is a top plan view thereof;
 FIG. 6 is a bottom plan view thereof; and,
 FIG. 7 is a perspective view thereof showing an open end drawer extending therefrom.

1 Claim, 3 Drawing Sheets



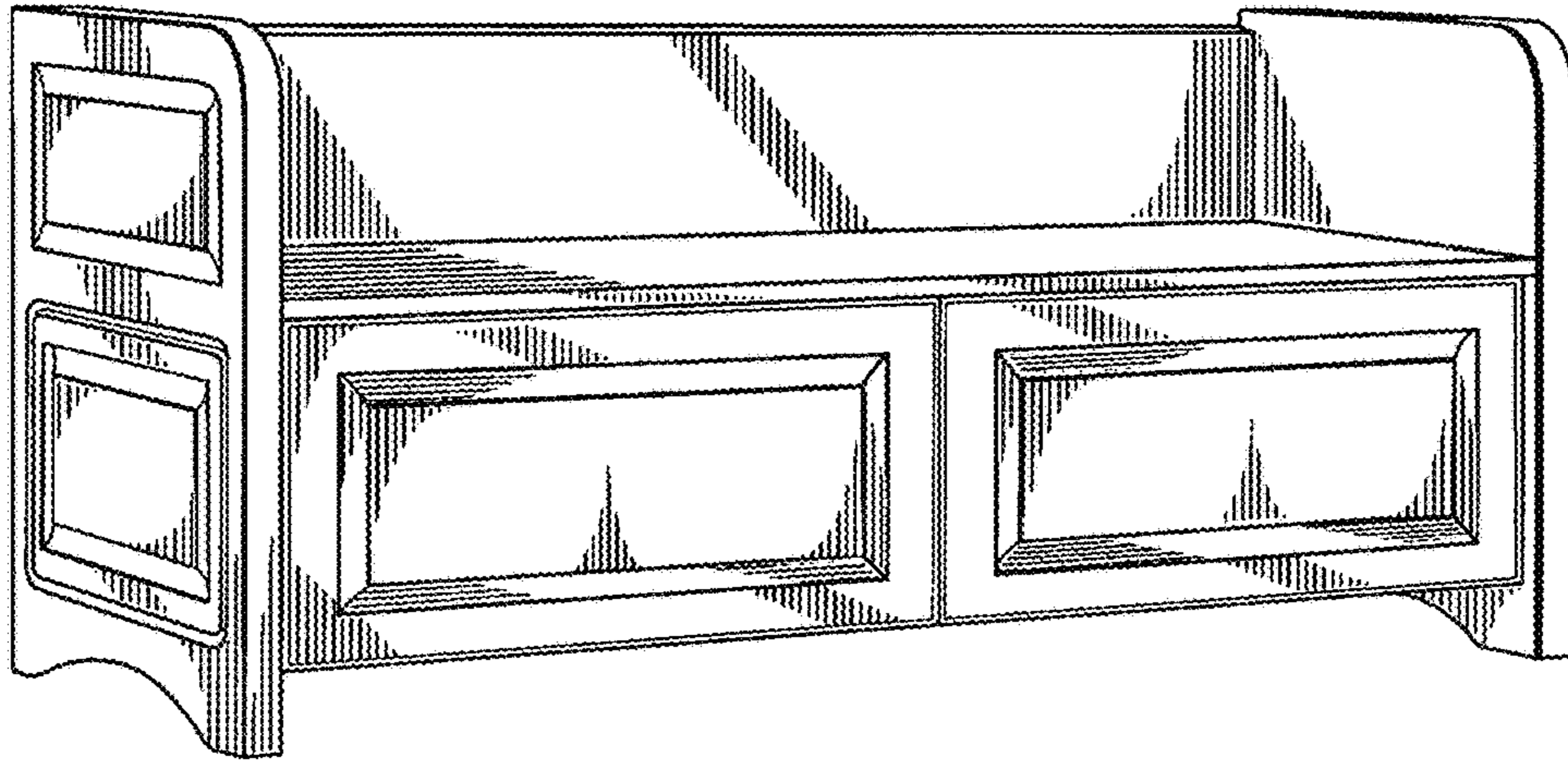


FIG. 1

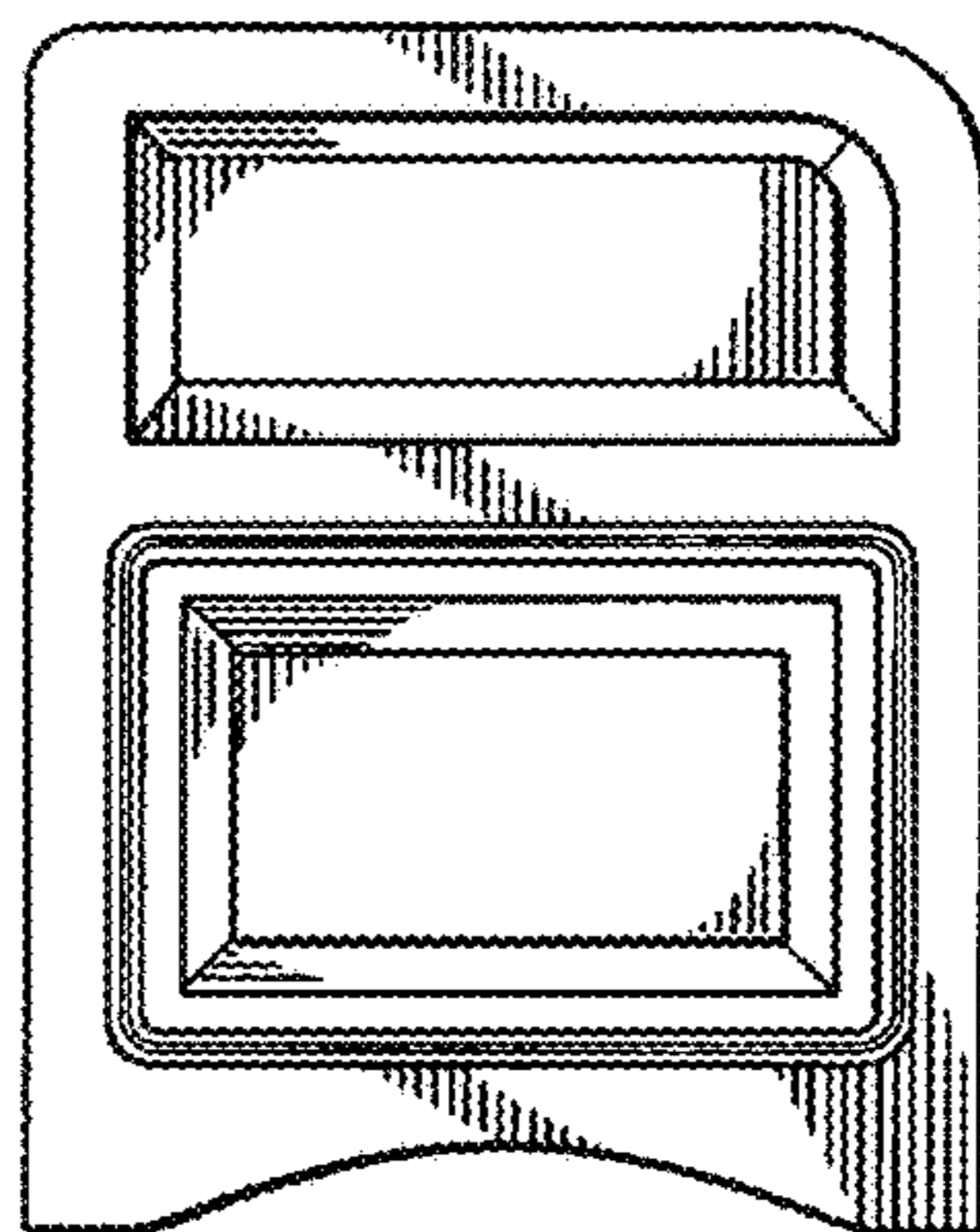


FIG. 2

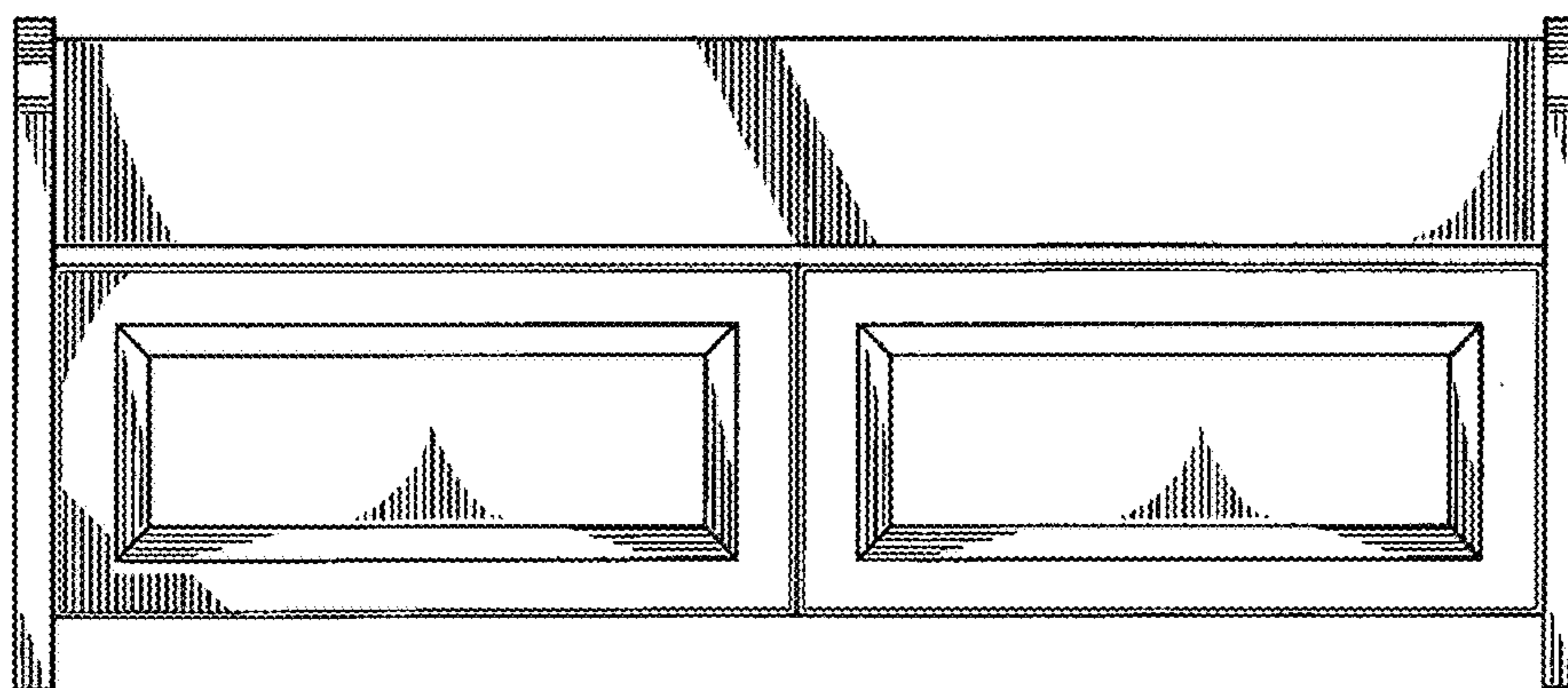


FIG. 3

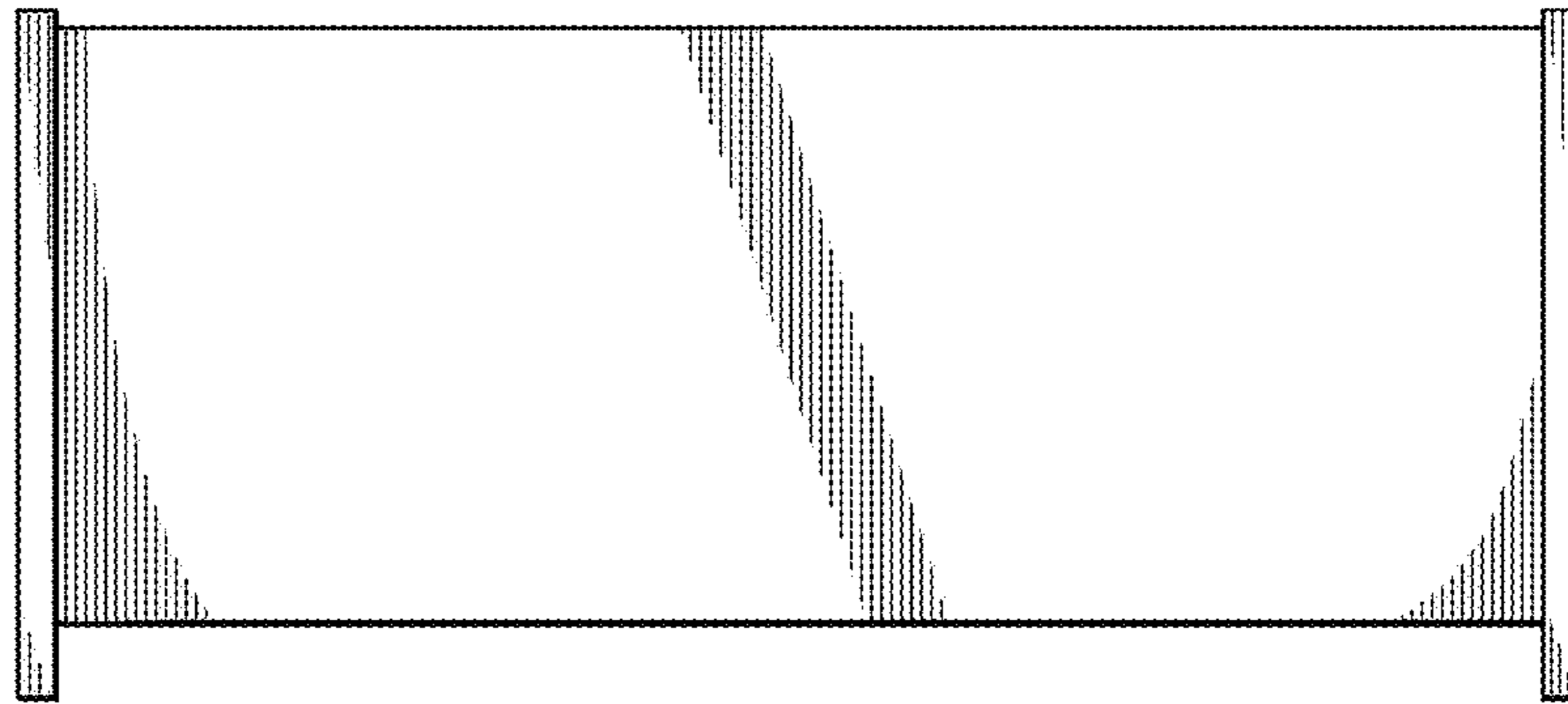


FIG. 4

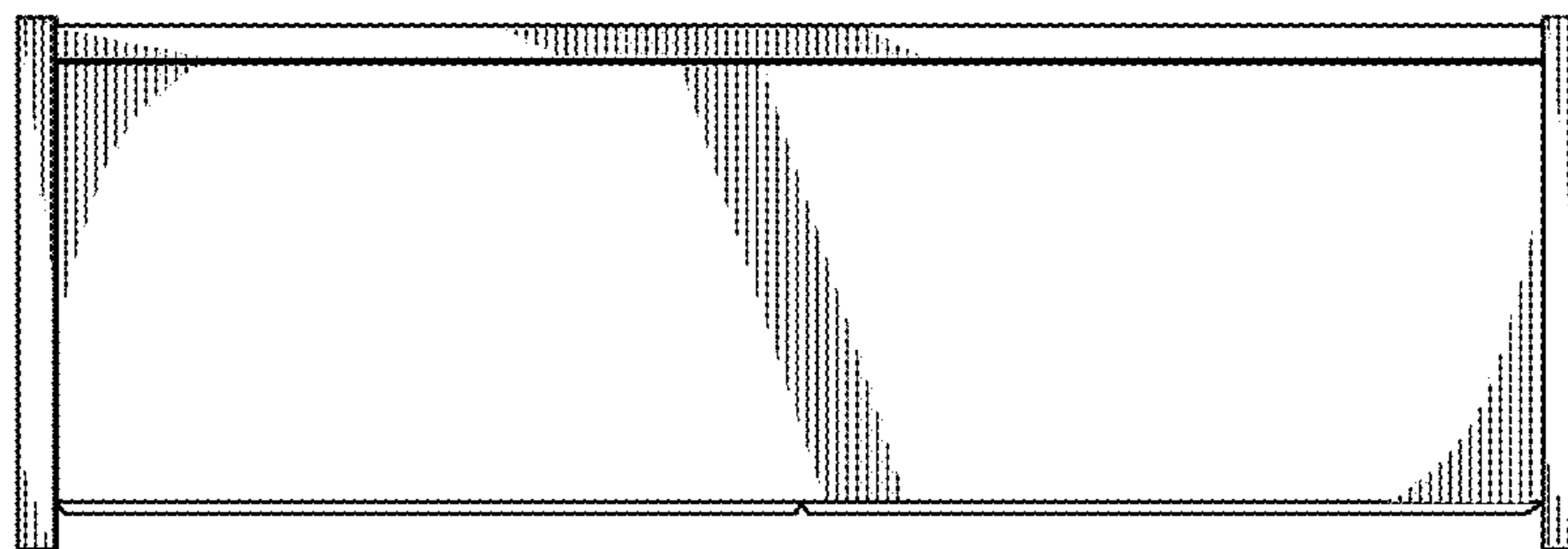


FIG. 5

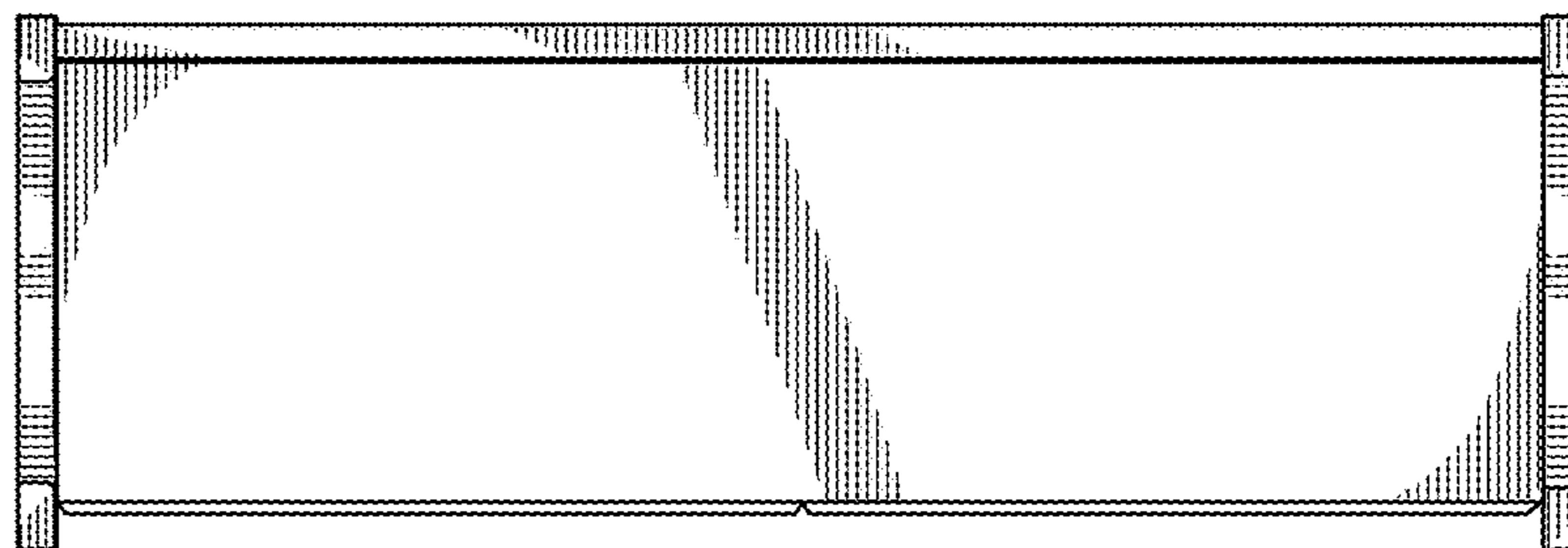


FIG. 6

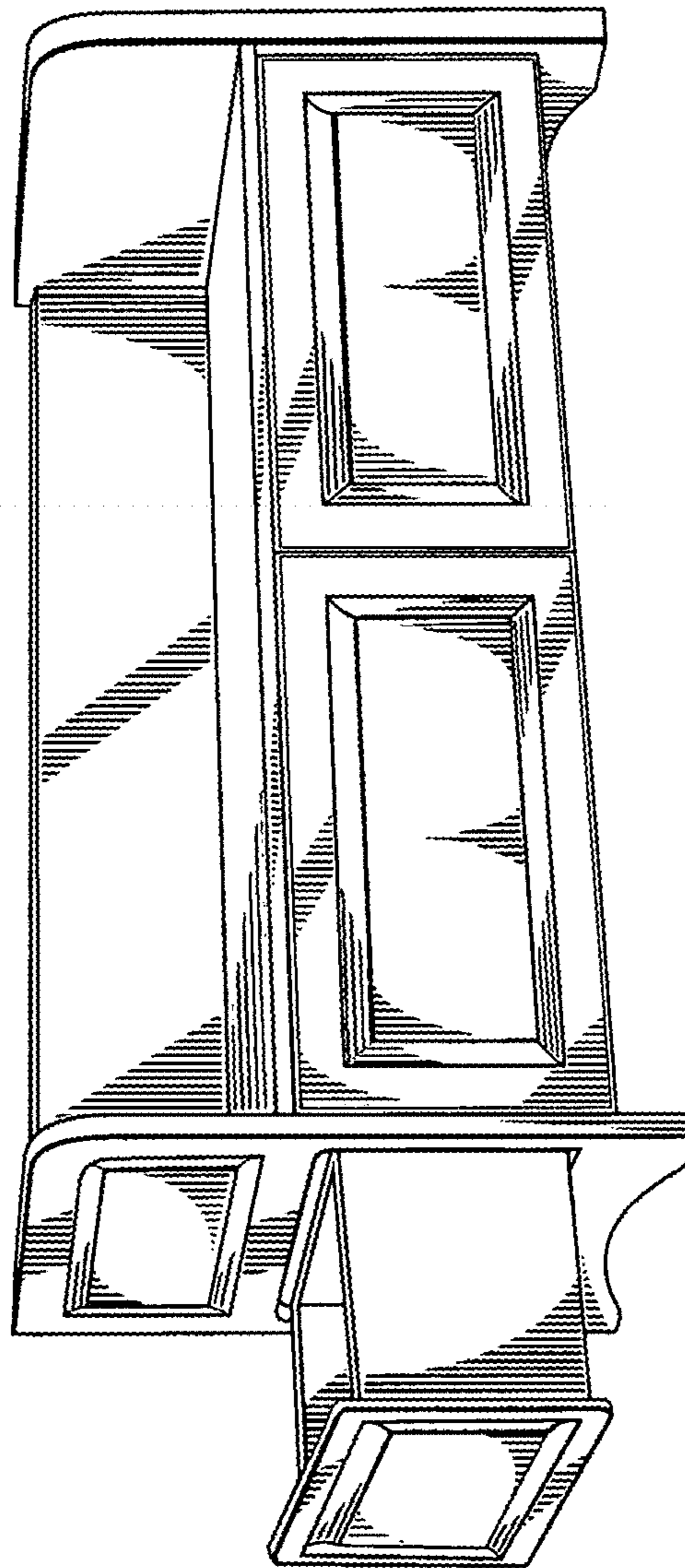


FIG. 7