



US00D869198S

(12) **United States Design Patent** (10) **Patent No.:** **US D869,198 S**  
**Dong** (45) **Date of Patent:** **\*\* Dec. 10, 2019**

(54) **DETACHABLE CAR SEAT CUSHION**

(71) Applicant: **Chao Dong**, Guangdong (CN)

(72) Inventor: **Chao Dong**, Guangdong (CN)

(\*\*) Term: **15 Years**

(21) Appl. No.: **29/697,900**

(22) Filed: **Jul. 12, 2019**

(51) **LOC (12) Cl.** ..... **06-09**

(52) **U.S. Cl.**  
USPC ..... **D6/601**

(58) **Field of Classification Search**  
USPC ..... D6/333, 349, 355, 375, 388, 512, 563,  
D6/564, 595, 596, 601, 602, 603, 604,  
D6/605, 606, 607, 608, 707, 715, 716,  
D6/716.1; 5/636, 490, 491, 495;  
D24/183-184  
CPC ..... A47C 17/021; A47C 17/13; A47C 17/132;  
A47C 17/136; A47C 17/1655; A47C  
17/207; A47G 9/10; A47G 9/1027; A47G  
9/1081; A47G 9/1036; A47G 9/1063;  
A47G 2009/1018  
See application file for complete search history.

(56) **References Cited**

**U.S. PATENT DOCUMENTS**

1,640,743 A \* 8/1927 Yuhasz ..... A47C 17/64  
5/630  
2,549,597 A \* 4/1951 Harris ..... A47C 27/081  
5/711  
3,336,610 A \* 8/1967 Geddings ..... A47D 15/00  
5/420  
D212,149 S \* 9/1968 Tuvert ..... D2/719  
D234,555 S \* 3/1975 Barecki ..... D6/356  
D273,540 S \* 4/1984 Wagner ..... D6/356  
D274,108 S \* 6/1984 Trotman ..... D5/47  
D315,837 S \* 4/1991 Bernon ..... D6/368  
D316,352 S \* 4/1991 Anson ..... D6/596

D330,118 S \* 10/1992 Lanius ..... D6/356  
D360,797 S \* 8/1995 Evans ..... 383/117  
D365,216 S \* 12/1995 Smith ..... D6/356  
D365,485 S \* 12/1995 Rossman ..... D6/596  
D376,946 S \* 12/1996 Maxim ..... D6/596  
D383,929 S \* 9/1997 Ring ..... D6/716  
D387,940 S \* 12/1997 Bruner ..... D6/611  
D398,802 S \* 9/1998 Quinn ..... D6/333  
D404,602 S \* 1/1999 Loud ..... D6/601  
D407,257 S \* 3/1999 Loud ..... D6/601  
D407,671 S \* 4/1999 Muhanna ..... D12/128

(Continued)

**FOREIGN PATENT DOCUMENTS**

CN 302427734 \* 5/2013  
CN 302487300 \* 7/2013  
CN 302515707 \* 7/2013

*Primary Examiner* — Michelle E. Wilson

*Assistant Examiner* — Sanjeev Paul

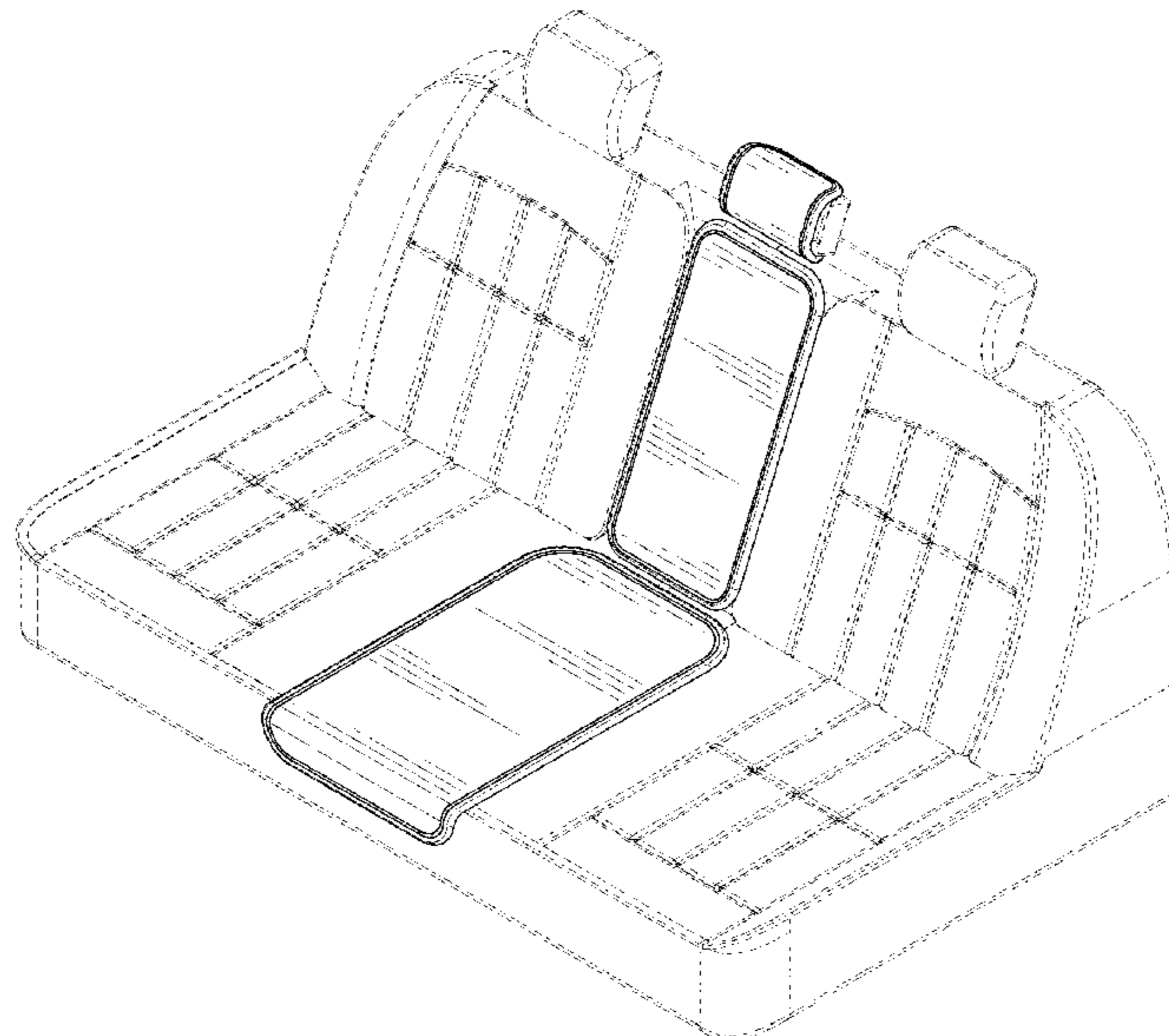
(57) **CLAIM**

The ornamental design for a detachable car seat cushion, as shown and described.

**DESCRIPTION**

FIG. 1 is a perspective view of a detachable car seat cushion showing my new design;  
FIG. 2 is a front view thereof;  
FIG. 3 is a back view thereof;  
FIG. 4 is a left side view thereof;  
FIG. 5 is a right side view thereof;  
FIG. 6 is a top view thereof;  
FIG. 7 is a bottom view thereof; and,  
FIG. 8 is a perspective view of the detachable car seat cushion placed between two car seats.  
The broken lines in the figures illustrate portions of the detachable car seat cushion that form no part of the claimed design. The broken lines in the figures indicate the environmental structure that form no part of the claimed design.

**1 Claim, 8 Drawing Sheets**



(56)

References Cited

U.S. PATENT DOCUMENTS

D424,358 S *	5/2000	Wang	D6/596	9,981,583 B2 *	5/2018	Iwakata	B60N 2/58
D451,719 S *	12/2001	Tseng	D6/366	D824,700 S *	8/2018	Wang	D6/611
D482,559 S *	11/2003	Yoon	D6/611	D830,753 S	10/2018	Waterhouse et al.	
D484,350 S *	12/2003	Miller	D6/368	D833,176 S *	11/2018	Wang	D6/601
D539,067 S *	3/2007	Dayan	D24/200	D841,352 S *	2/2019	Bekas	D6/356
D541,542 S *	5/2007	Yokoyama	D6/356	D849,445 S *	5/2019	Li	D6/596
D592,413 S *	5/2009	Higashida	D6/356	2005/0138733 A1 *	6/2005	Riesberg	A47G 9/10
D624,343 S *	9/2010	Long	D6/601				5/640
D651,001 S *	12/2011	Fleming	D6/356	2006/0123547 A1 *	6/2006	Ferber	A47G 9/0253
D651,002 S *	12/2011	Fleming	D6/356				5/636
D651,004 S *	12/2011	Fleming	D6/356	2006/0138832 A1 *	6/2006	Ogura	B60N 2/66
D651,819 S *	1/2012	Fleming	D6/356				297/284.4
D670,110 S	11/2012	Luntao		2007/0262624 A1 *	11/2007	Snedeker	A47C 31/11
D685,211 S *	7/2013	Vega-Woller	D6/596				297/219.1
D699,496 S *	2/2014	McCarty	D6/601	2008/0028529 A1 *	2/2008	Abell	A47G 9/0253
D699,995 S *	2/2014	McCarty	D6/601				5/640
D707,063 S *	6/2014	Daley	D6/611	2009/0151714 A1 *	6/2009	Rhodes	F24S 10/501
D716,585 S *	11/2014	Peterson	D6/611				126/641
D723,825 S *	3/2015	Persson	D6/356	2012/0255125 A1 *	10/2012	Brown	A47G 9/08
D728,973 S *	5/2015	Daley	D6/611				5/636
D729,546 S *	5/2015	Daley	D6/611	2014/0265482 A1 *	9/2014	Daley	B60N 2/5816
D742,533 S *	11/2015	Kang	D24/207				297/219.1
D750,926 S	3/2016	Line et al.		2016/0058218 A1 *	3/2016	Yoshifusa	B32B 7/05
D768,412 S *	10/2016	Ngo	D6/611				428/12
D774,319 S *	12/2016	Ingenlath	D6/356	2017/0053568 A1 *	2/2017	Aires	F16B 1/00
				2018/0317673 A1 *	11/2018	Genao	A47G 9/0215

\* cited by examiner

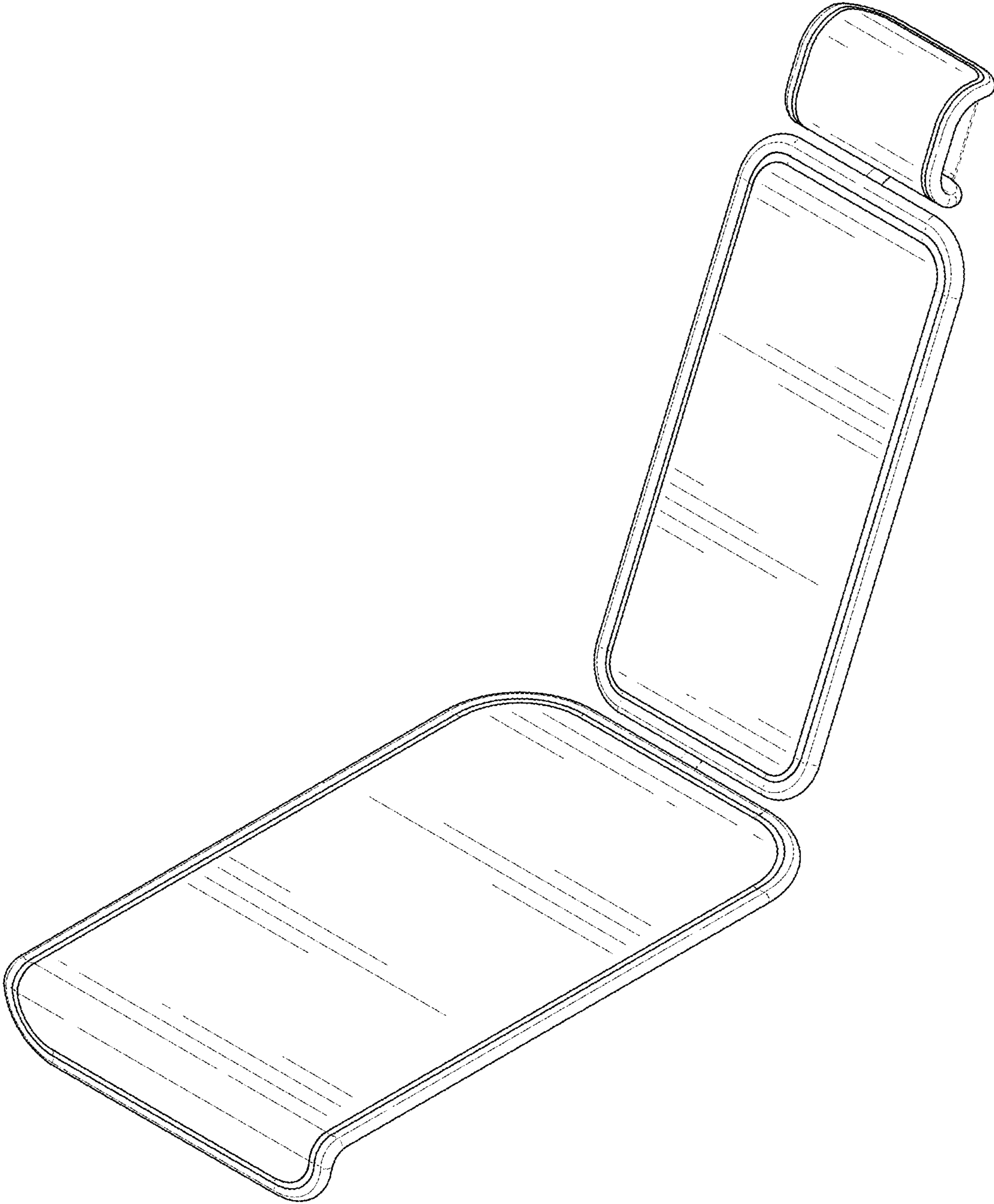


FIG. 1

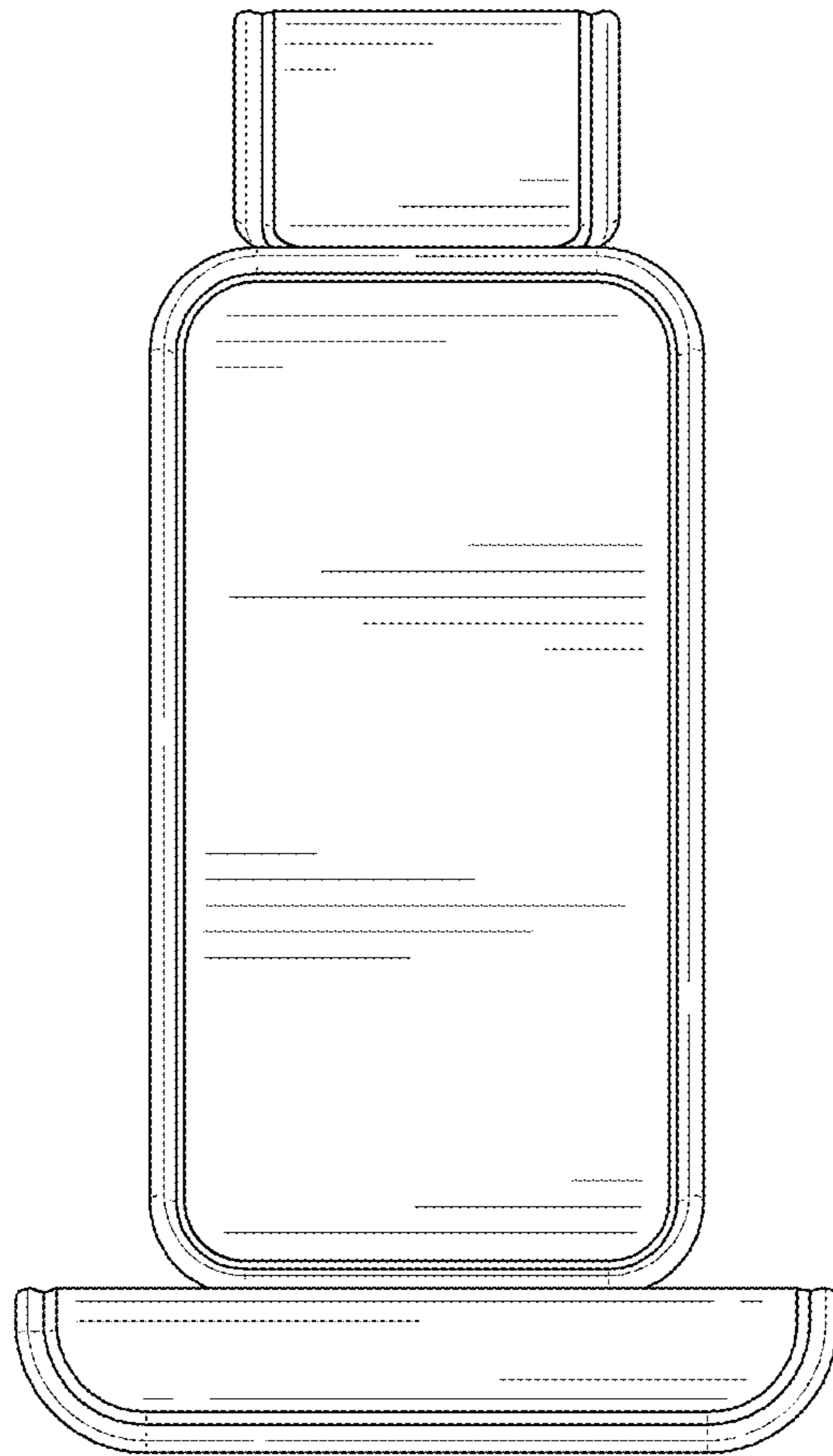


FIG. 2

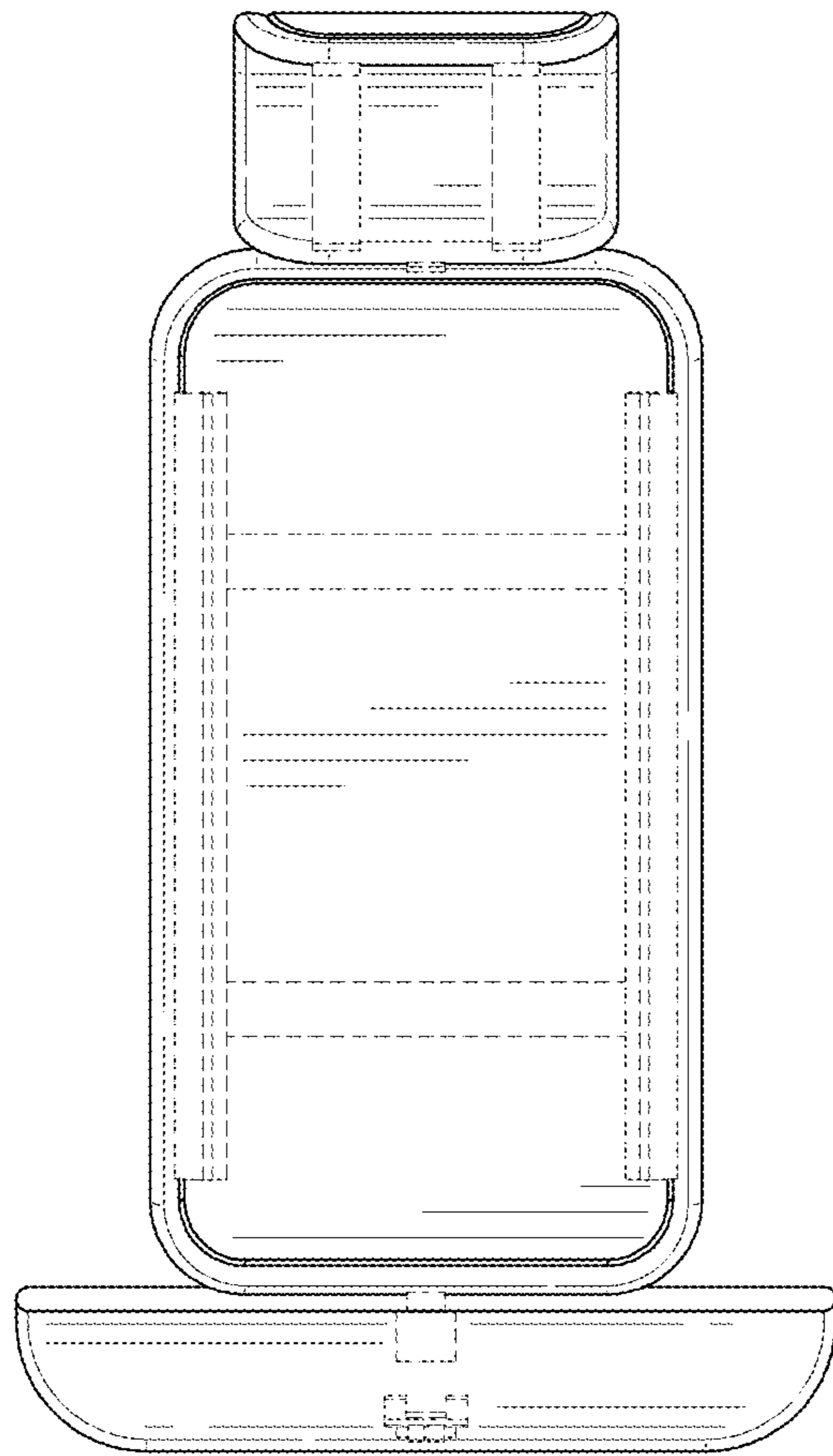


FIG. 3

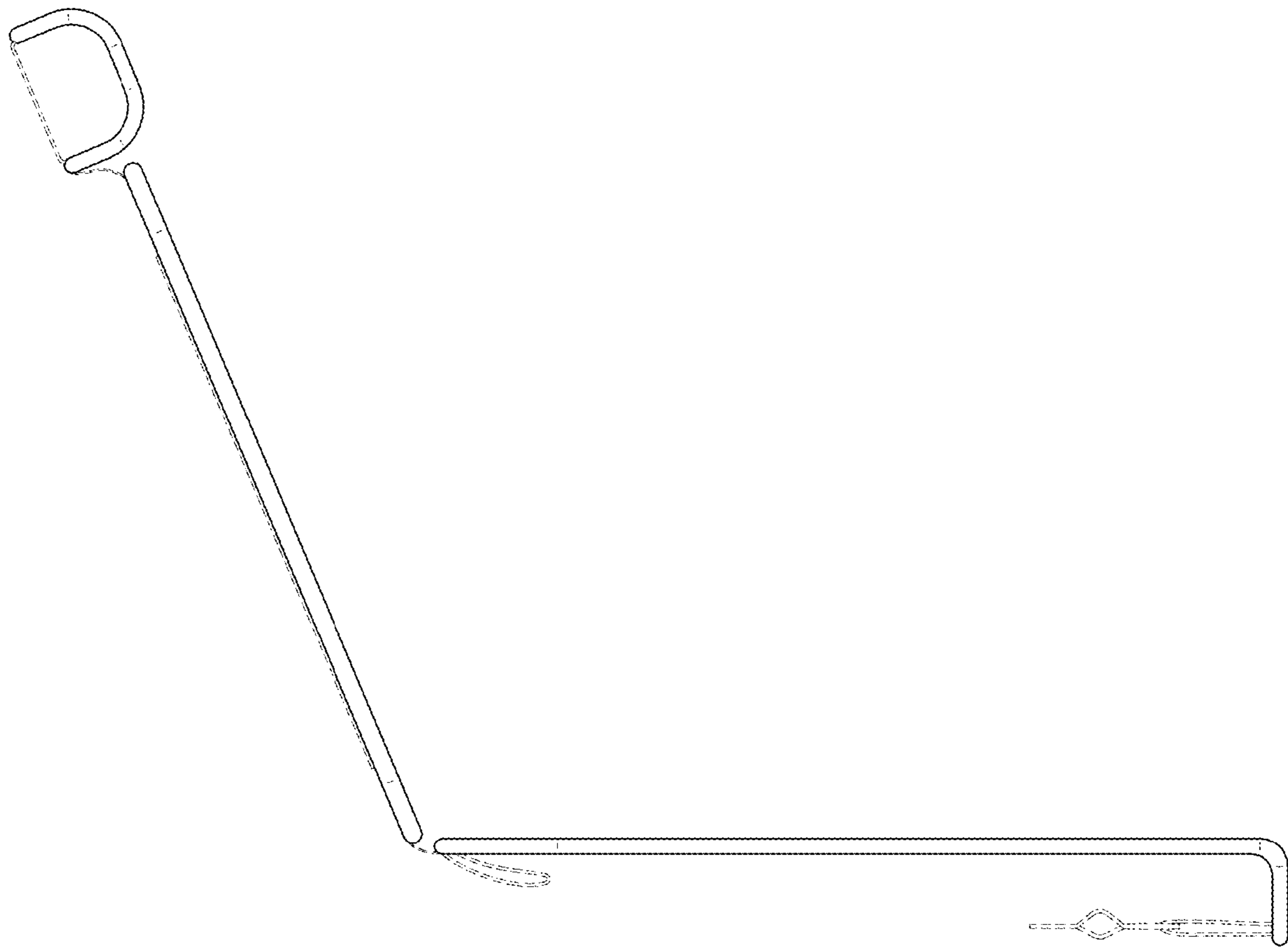


FIG. 4

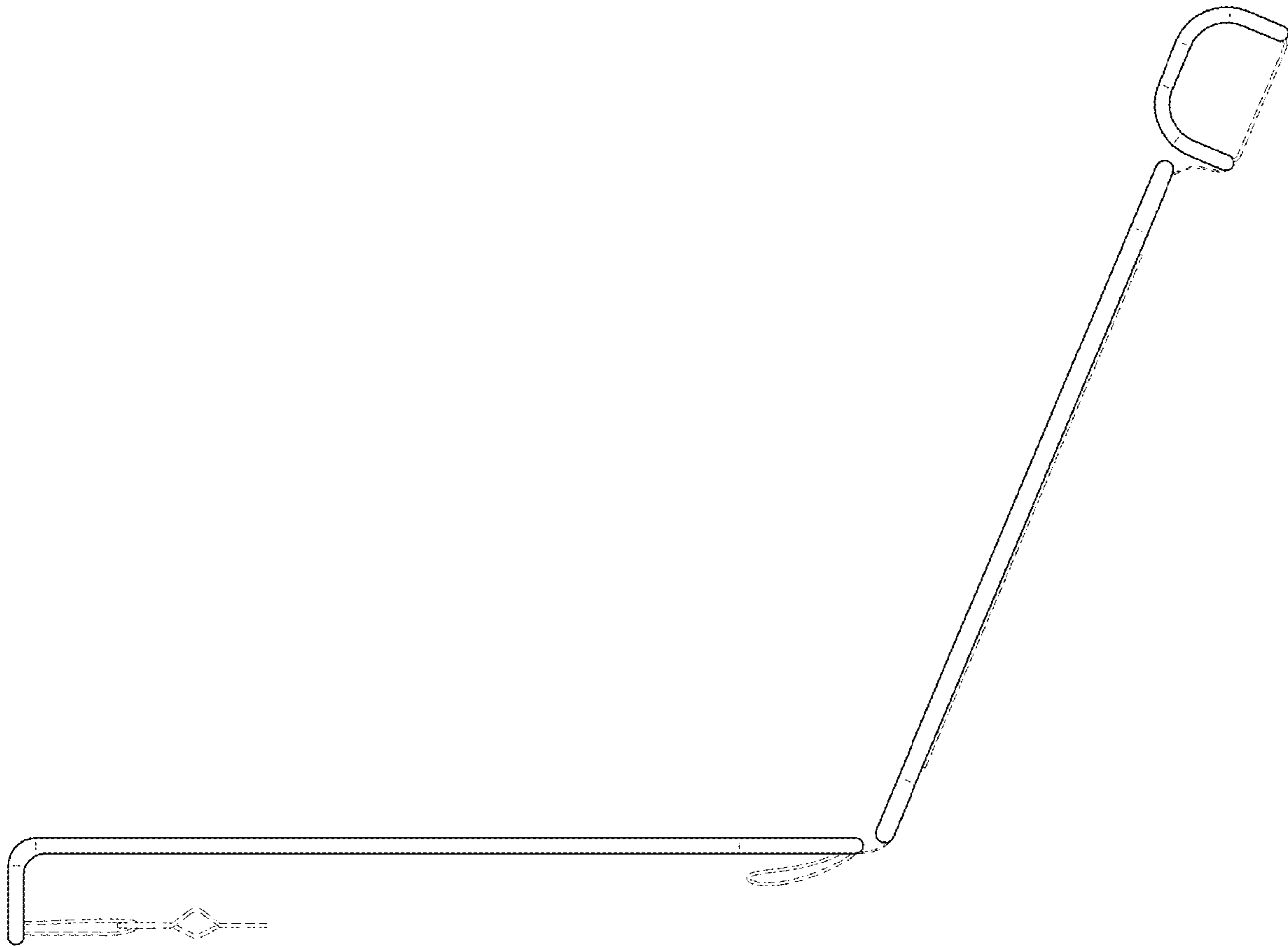


FIG. 5

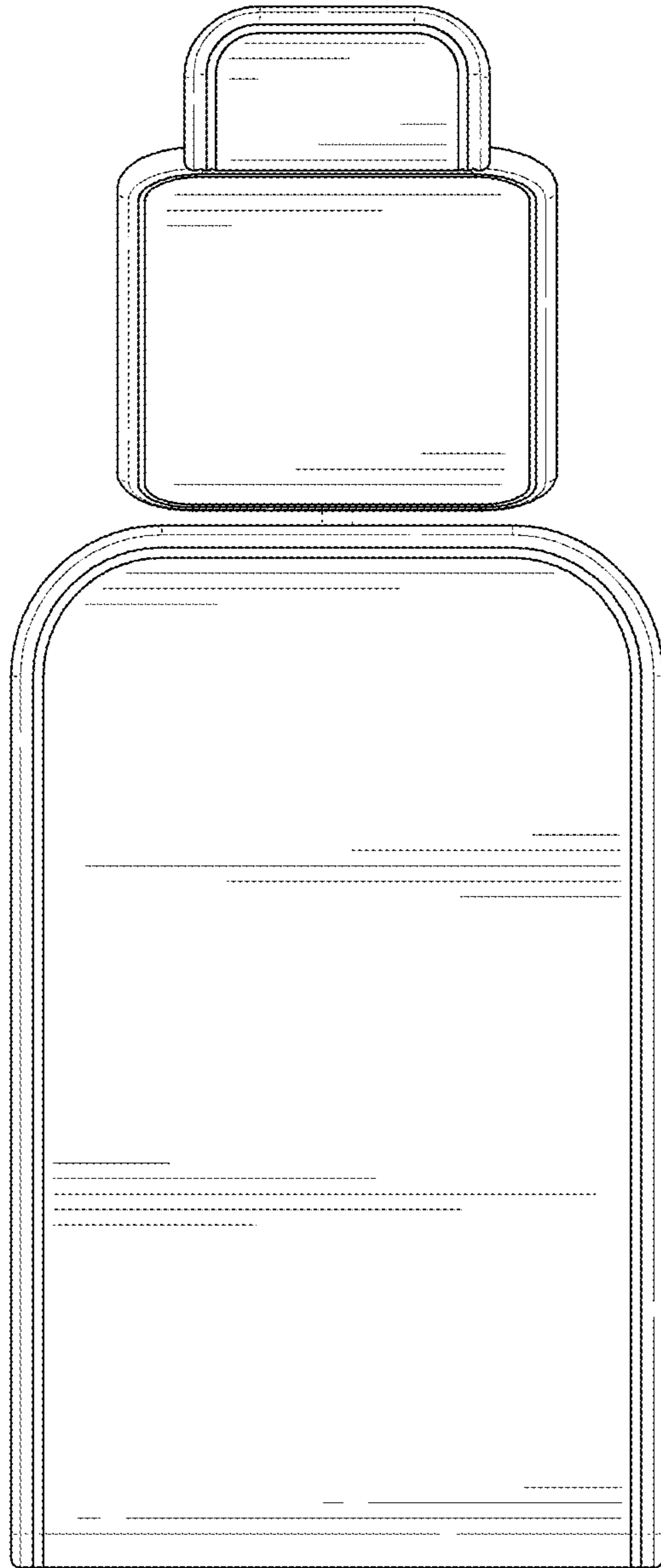


FIG. 6



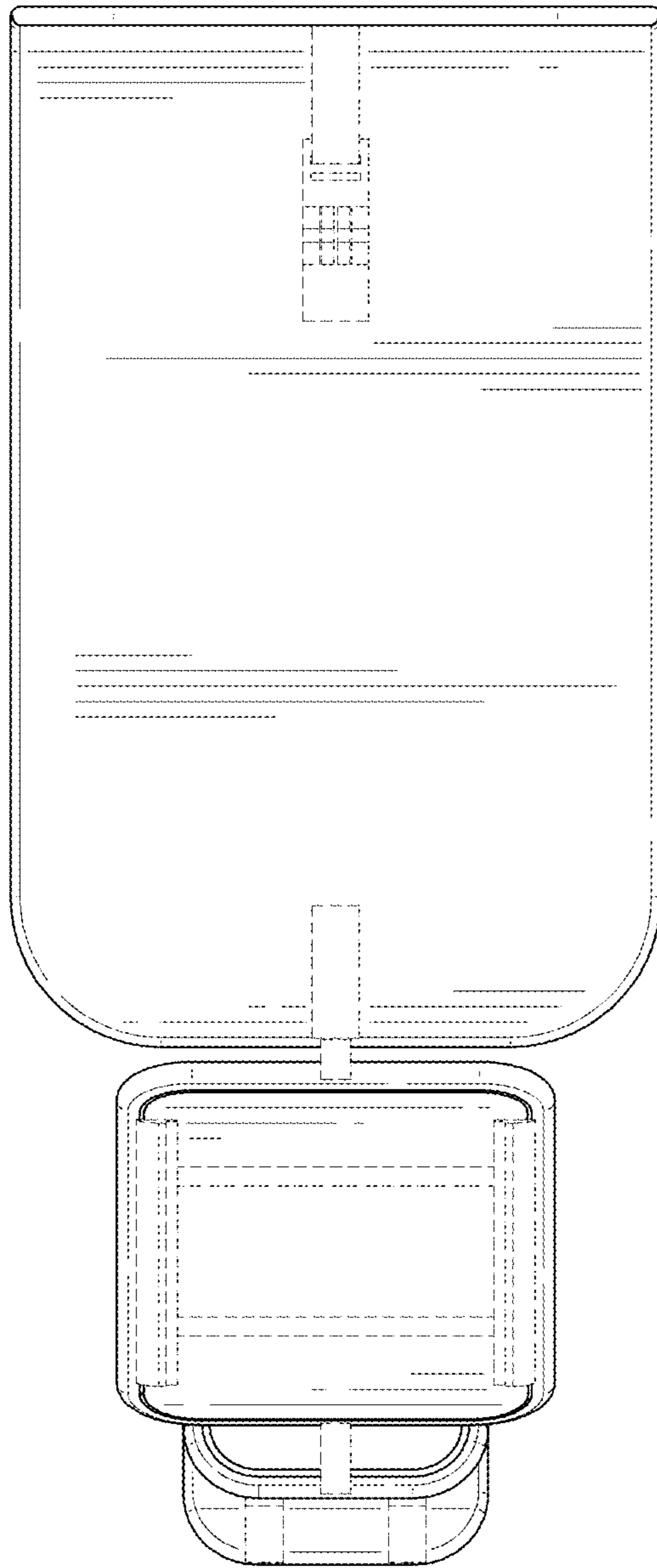


FIG. 7

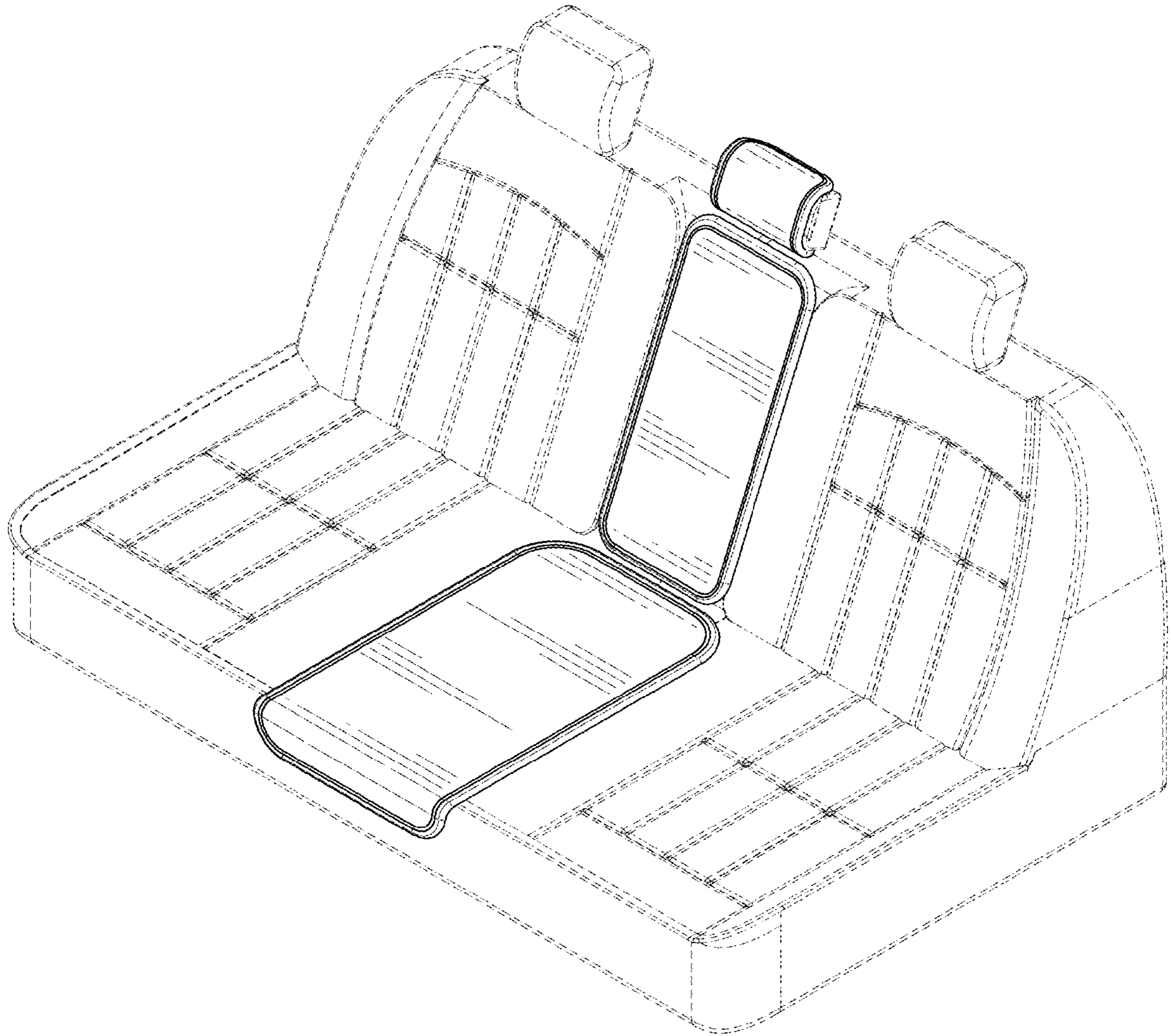


FIG. 8