



US00D869197S

(12) **United States Design Patent**
Chen

(10) **Patent No.:** **US D869,197 S**

(45) **Date of Patent:** **** Dec. 10, 2019**

(54) **ADJUSTABLE MEMORY FOAM PILLOW**

(71) Applicant: **Shenzhen Jikekaola Technology Co., Ltd.**, Shenzhen (CN)

(72) Inventor: **Zhuangxiaoyi Chen**, Shenzhen (CN)

(**) Term: **15 Years**

(21) Appl. No.: **29/691,240**

(22) Filed: **May 15, 2019**

(51) **LOC (12) Cl.** **06-09**

(52) **U.S. Cl.**
USPC **D6/601**

(58) **Field of Classification Search**
USPC D6/333, 349, 355, 375, 388, 512, 563,
D6/564, 595, 596, 601, 602, 603, 604,
D6/605, 606, 607, 608, 707, 715, 716,
D6/716.1; 5/636, 490, 491, 495;
D24/183-184
CPC A47C 17/021; A47C 17/13; A47C 17/132;
A47C 17/136; A47C 17/1655; A47C
17/207; A47G 9/10; A47G 9/1027; A47G
9/1081; A47G 9/1036; A47G 9/1063;
A47G 2009/1018
See application file for complete search history.

(56) **References Cited**

U.S. PATENT DOCUMENTS

D211,721 S * 7/1968 Radford D6/601
3,555,582 A * 1/1971 Radford A47C 20/027
5/632
4,027,888 A * 6/1977 Wilcox A47C 3/16
297/452.17
D254,029 S * 1/1980 Barbagallo 5/636
D276,938 S * 12/1984 Pedersen 5/636
4,821,355 A * 4/1989 Burkhardt A47G 9/10
5/636
D334,107 S * 3/1993 Johnson D6/601
D366,966 S * 2/1996 Bonaddio D6/335
D370,821 S * 6/1996 Mata D6/596

D372,805 S * 8/1996 Bonaddio D6/334
6,047,425 A * 4/2000 Khazaal A47G 9/1027
5/640
6,345,401 B1 * 2/2002 Frydman A47G 9/10
5/636
D664,256 S * 7/2012 Dennewald D24/183
D665,503 S * 8/2012 Dennewald D24/183
D670,950 S * 11/2012 Price D6/605
D701,710 S * 4/2014 Martinez D6/601
D731,813 S * 6/2015 Durkin
D758,100 S * 6/2016 Pham D6/601

(Continued)

OTHER PUBLICATIONS

Cool Contour Memory Foam Pillow, dated Mar. 14, 2013, [online], [site visited Jul. 25, 2019]. Available from Internet, URL: <http://www.sleepinnovations.com/product/cool-contour-memory-foam-pillow/> (Year: 2013).*

Primary Examiner — Michelle E. Wilson
Assistant Examiner — Sanjeev Paul

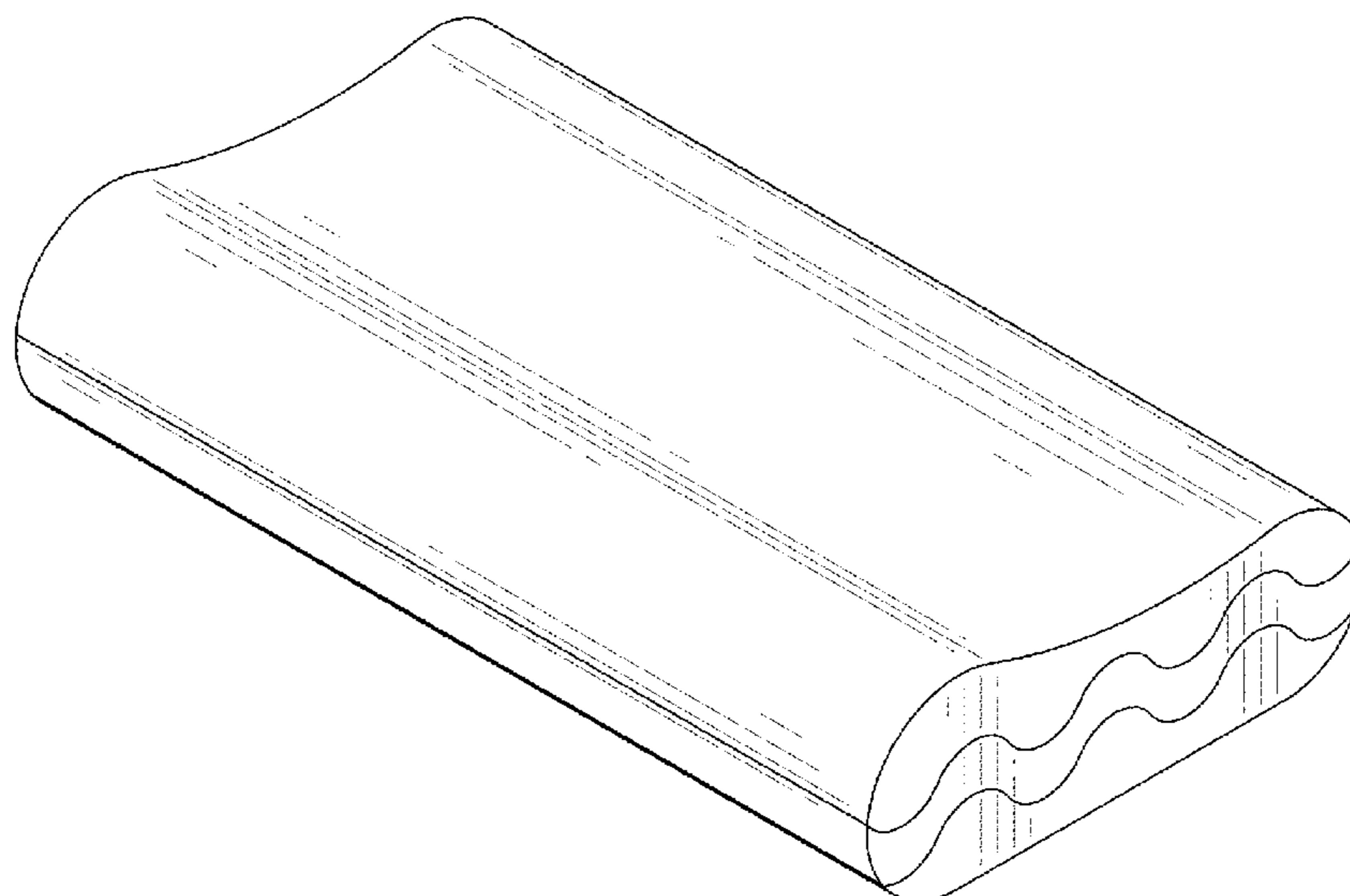
(57) **CLAIM**

The ornamental design for an adjustable memory foam pillow, as shown and described.

DESCRIPTION

FIG. 1 is a first perspective view of an adjustable memory foam pillow showing my design;
FIG. 2 is a second perspective view thereof;
FIG. 3 is a front view thereof;
FIG. 4 is a back view thereof;
FIG. 5 is a left side view thereof;
FIG. 6 is a right side view thereof;
FIG. 7 is a top view thereof;
FIG. 8 is a bottom view thereof;
FIG. 9 is a first perspective view of another state of the adjustable memory foam pillow thereof; and,
FIG. 10 is a second perspective view of another state of the adjustable memory foam pillow thereof.

1 Claim, 10 Drawing Sheets



(56)

References Cited

U.S. PATENT DOCUMENTS

D829,470 S	10/2018	Huang	
D830,732 S	10/2018	Hu	
2015/0164727 A1*	6/2015	Lopez	A47G 9/10 5/653

* cited by examiner

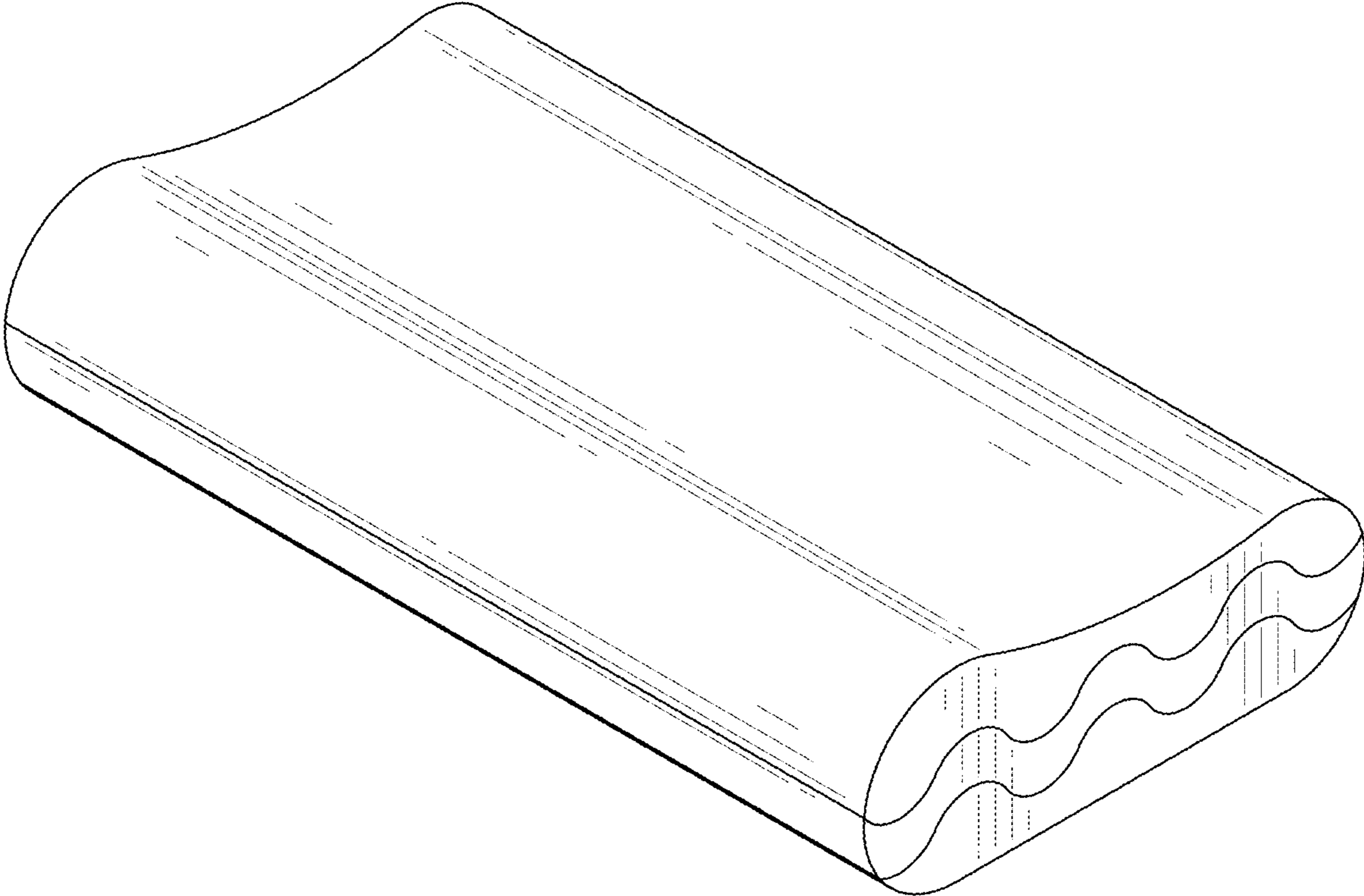


FIG. 1

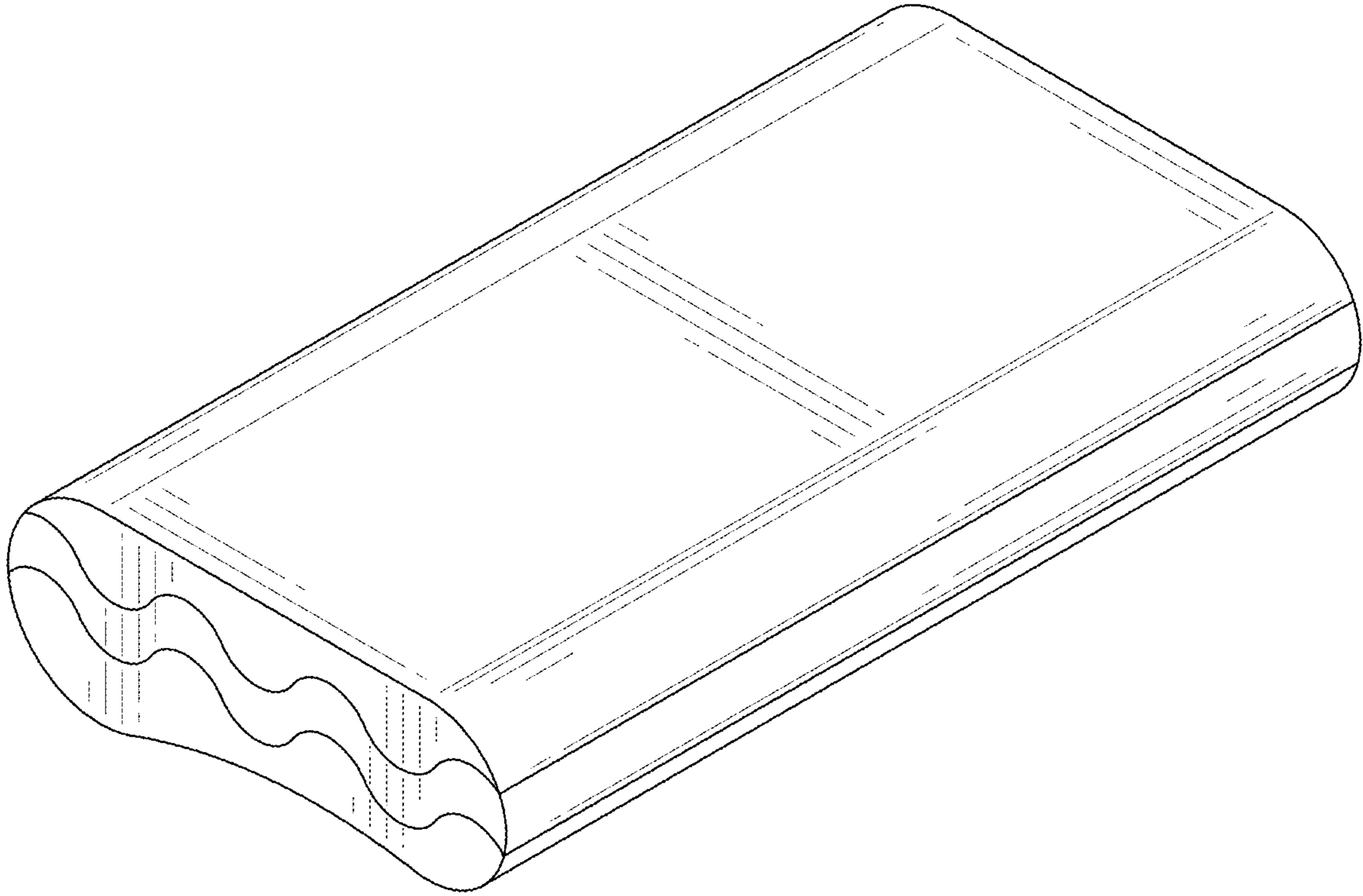


FIG. 2

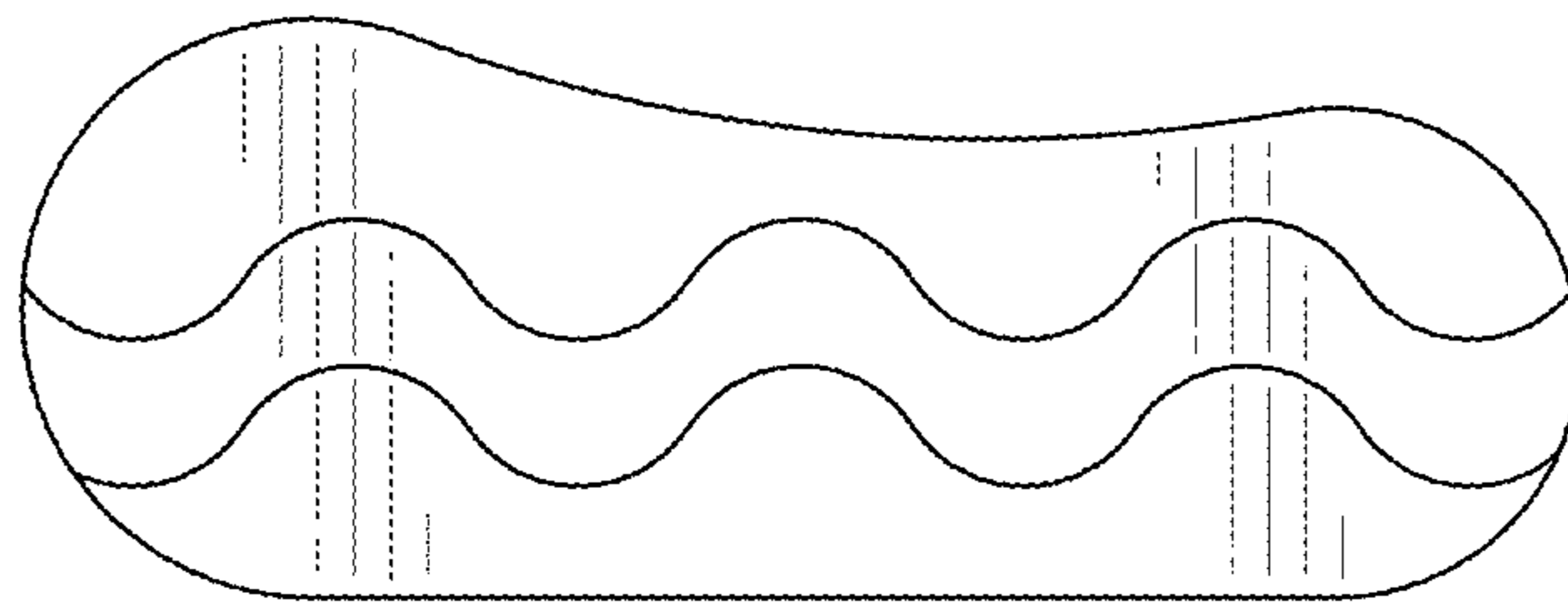


FIG. 3

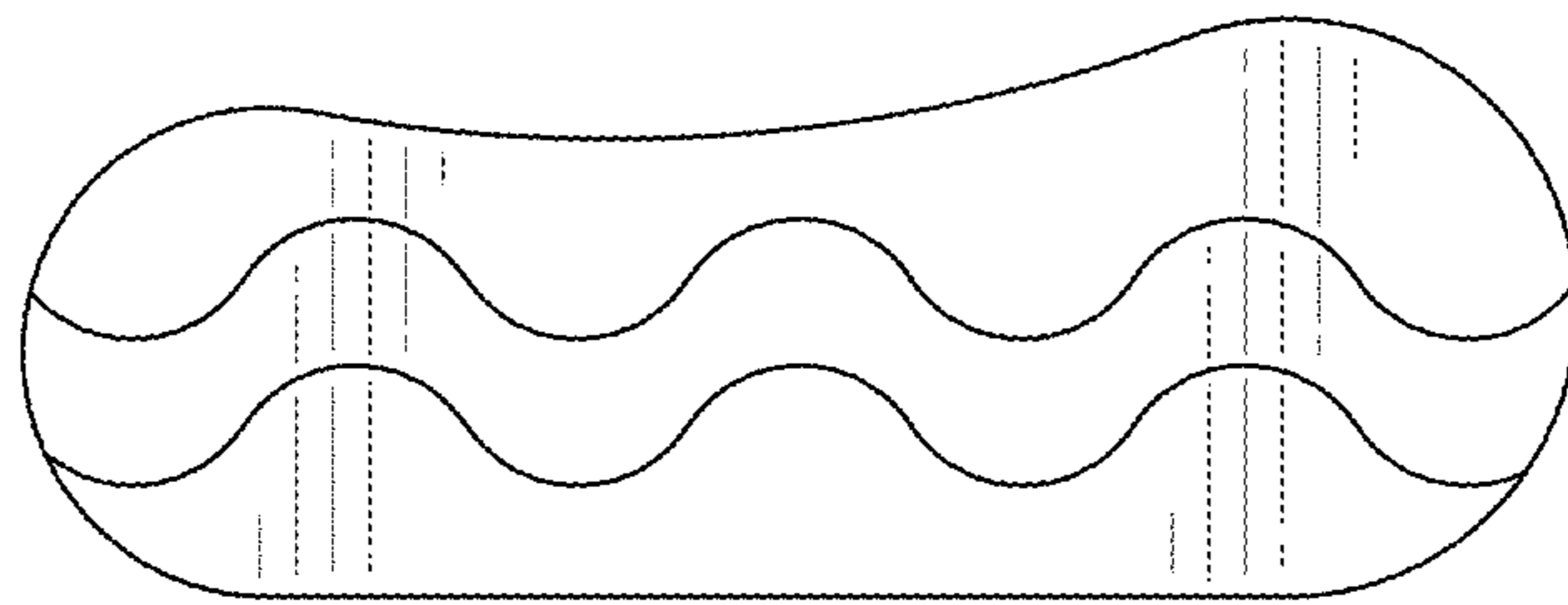


FIG. 4

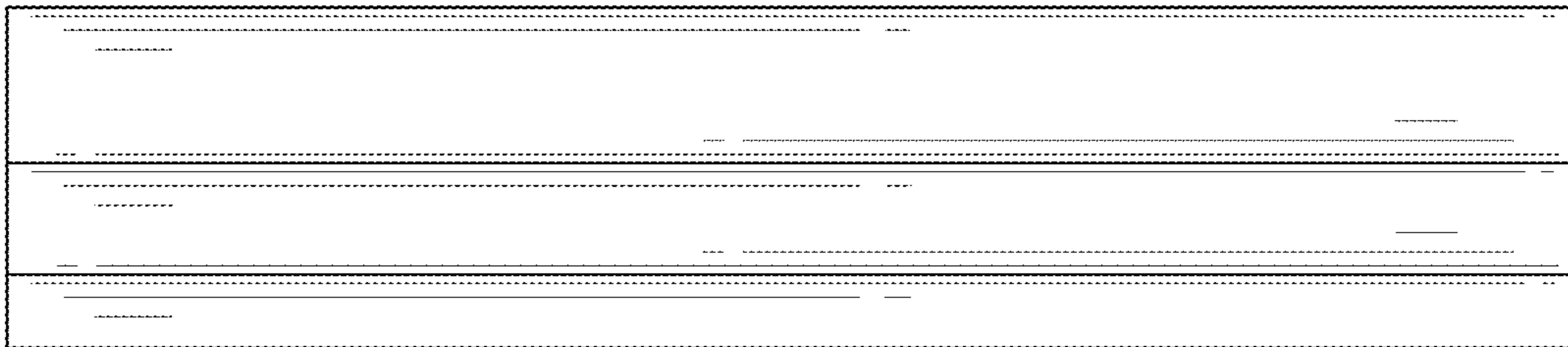


FIG. 5

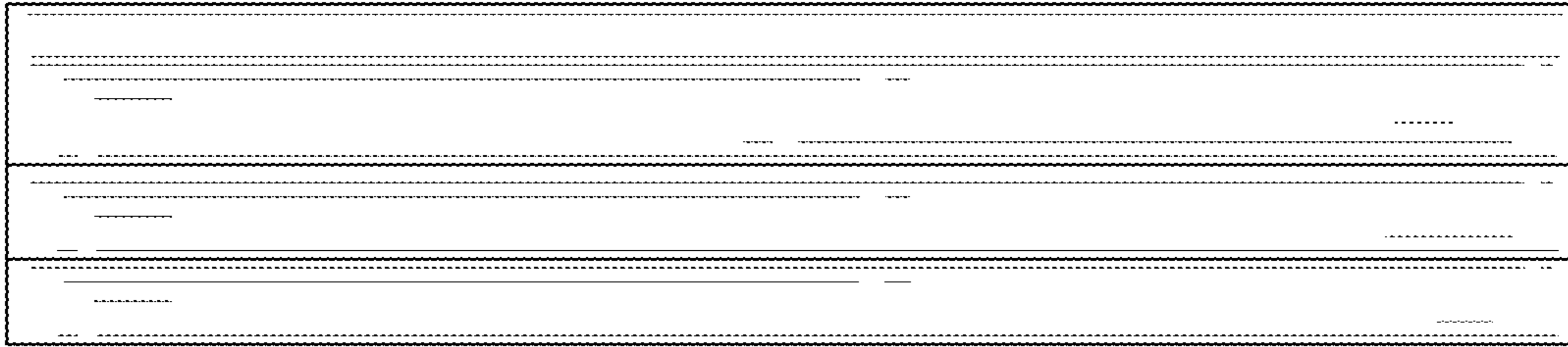


FIG. 6

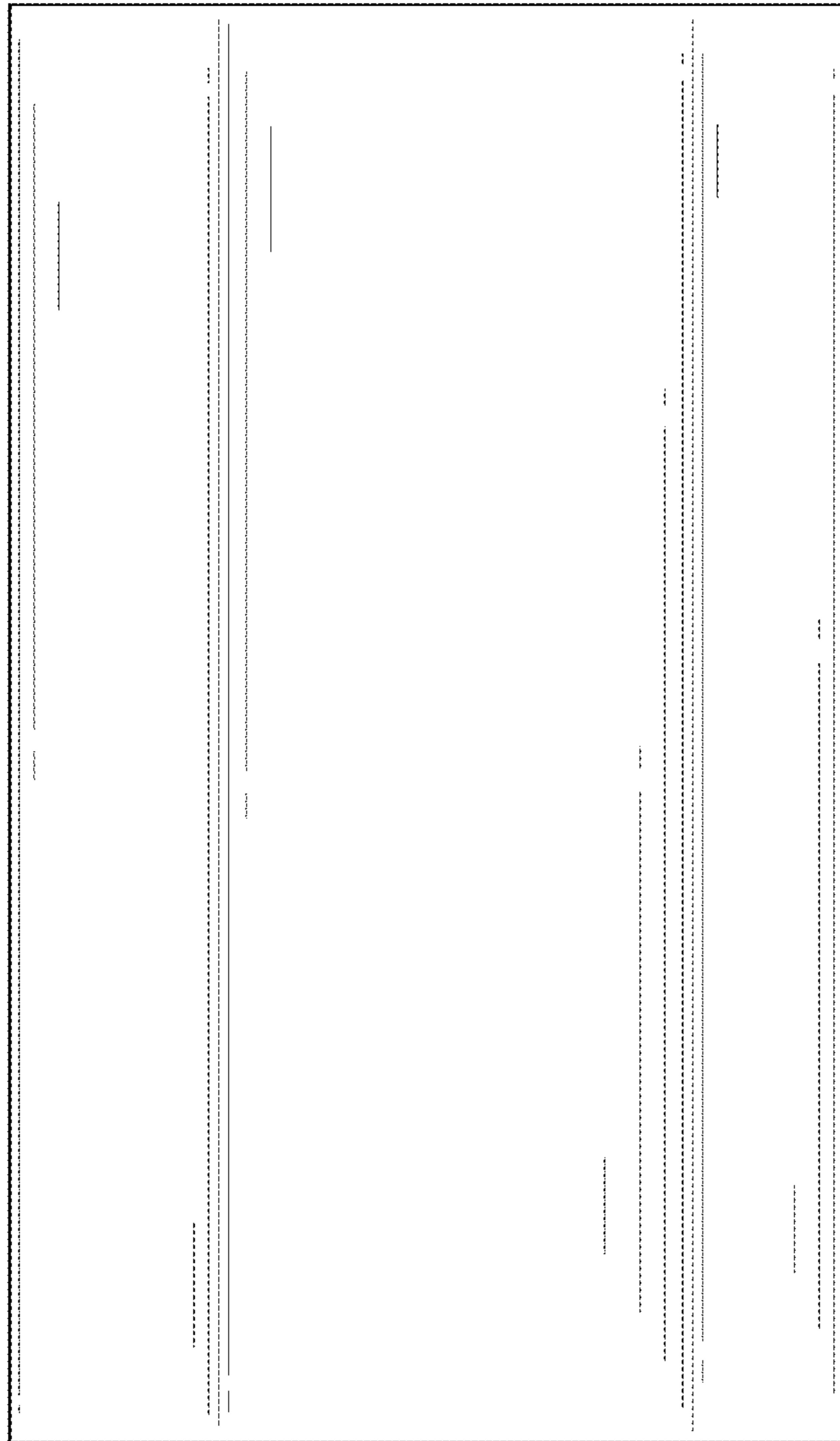


FIG. 7

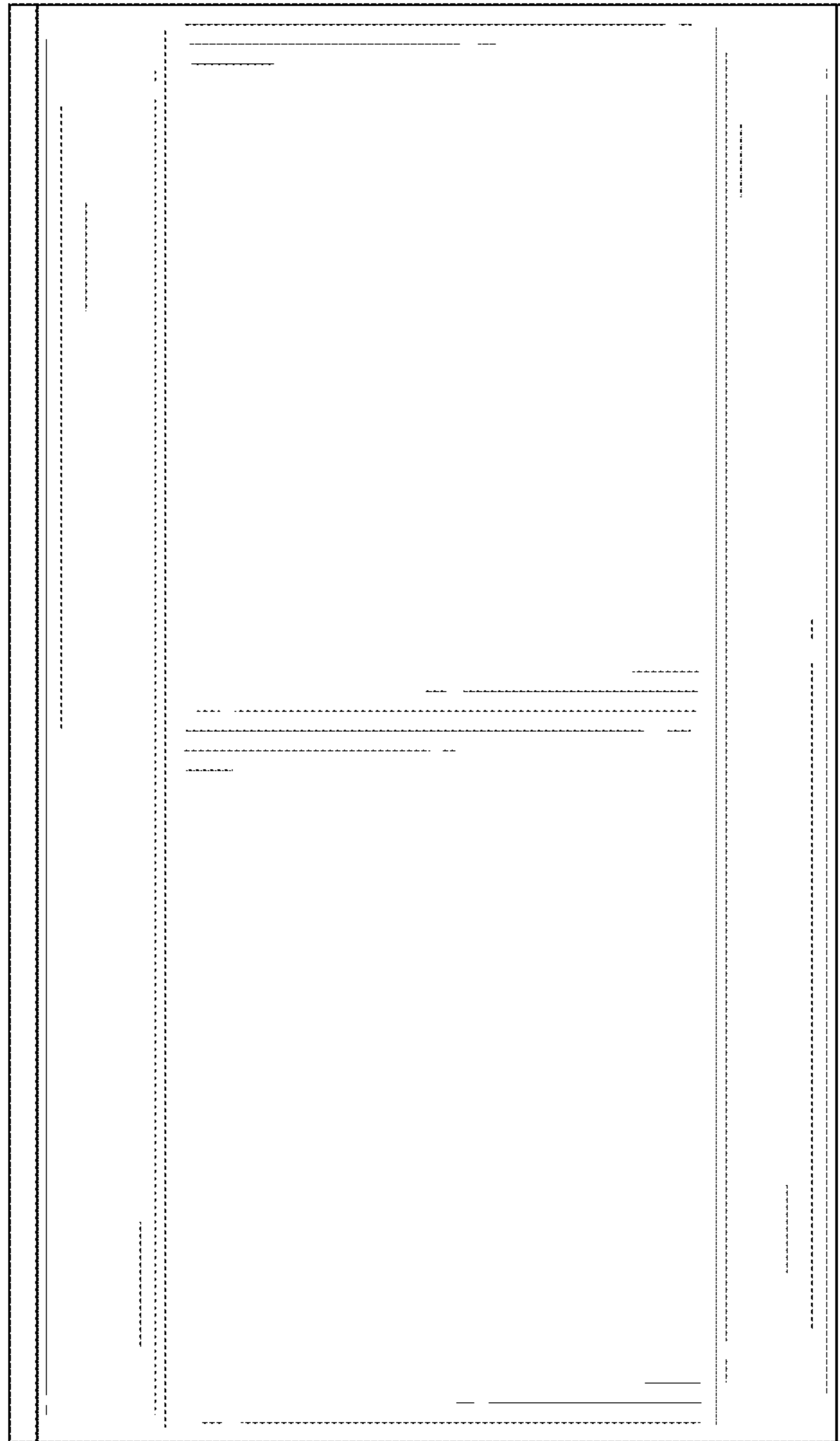


FIG. 8

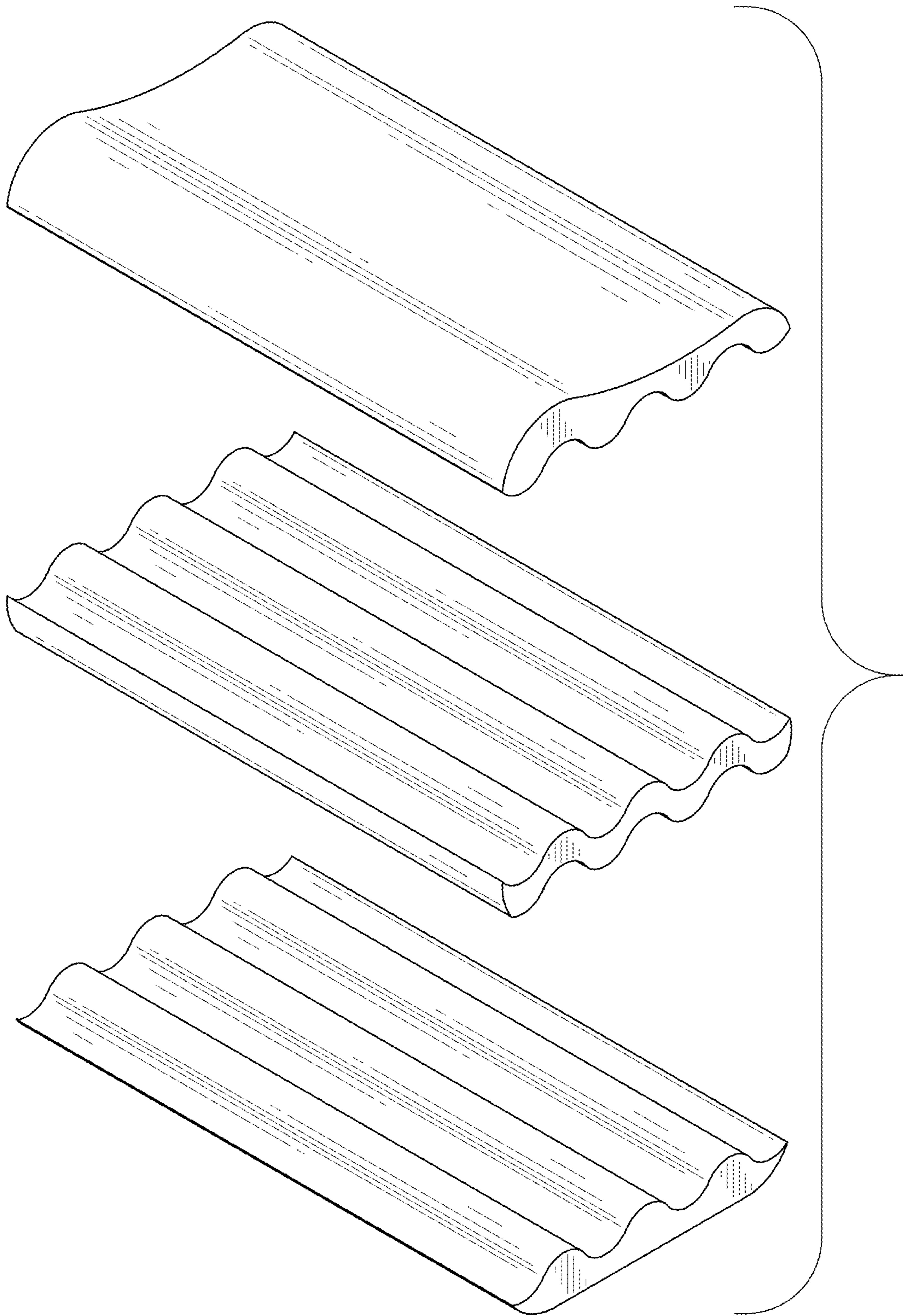


FIG. 9

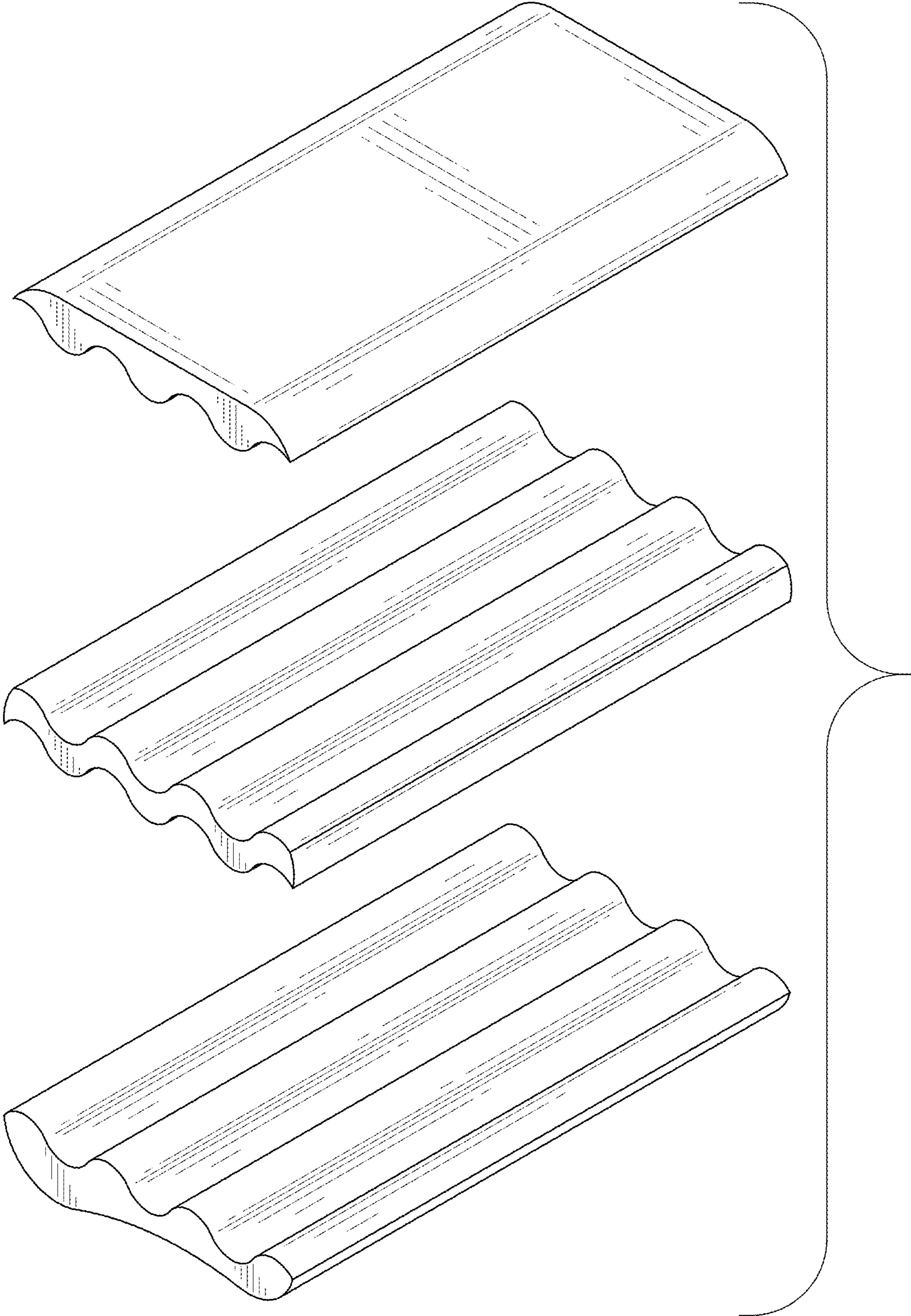


FIG. 10