



US00D869195S

(12) **United States Design Patent**
Nilsson

(10) **Patent No.:** **US D869,195 S**

(45) **Date of Patent:** **** Dec. 10, 2019**

(54) **DRAWER FOR WALL MOUNTED STORAGE SYSTEM**

4,735,470 A 4/1988 Falk
4,944,566 A 7/1990 Carper
5,074,009 A 12/1991 Simonton et al.
5,551,772 A 9/1996 Keffer

(71) Applicant: **Elfa International AB**, Vastervik (SE)

(Continued)

(72) Inventor: **Peter Nilsson**, Vastervik (SE)

Primary Examiner — Wan Laymon

(73) Assignee: **Elfa International AB**, Vastervik (SE)

Assistant Examiner — Mark Booker

(**) Term: **15 Years**

(74) *Attorney, Agent, or Firm* — Hubbard Johnston, PLLC

(21) Appl. No.: **29/607,342**

(57) **CLAIM**

(22) Filed: **Jun. 12, 2017**

The ornamental design for a drawer for a wall mounted storage system, as shown.

(51) **LOC (12) Cl.** **06-04**

DESCRIPTION

(52) **U.S. Cl.**

USPC **D6/560**

(58) **Field of Classification Search**

USPC D6/560, 663, 664, 664.1, 671, 671.1, D6/671.2, 671.3, 671.4, 705, 705.51; D3/297, 304–315, 317, 319, 302; D19/75, 77, 78, 83, 86, 92; 206/511, 206/557, 560, 510, 513, 503; 211/1, 10, 211/13.1, 69.1, 69.5, 70, 70.1, 70.6, 74, 211/77, 78, 85.1, 85.2, 85.4, 85.5, 85.31, 211/126.9, 126.11, 126.15, 129.1, 131.1, 211/133.2, 133.4, 134, 133.5, 133.6, 182; 312/323, 330.1, 334.1, 334.27, 408, 410, 312/334.44; D7/392, 397, 589, 590, 596, D7/597, 600, 600.1, 705.5, 705.4; D32/25; D15/89; D34/27
CPC A47B 17/04; A47B 47/03; A47B 67/00; A47B 67/04; A47B 88/00; A47B 88/40; A47B 77/00

See application file for complete search history.

FIG. 1 is a front perspective view of the wall mounted storage system with drawers.

FIG. 2 is a front elevation view of the second embodiment of the drawer for a wall mounted storage system;

FIG. 3 is a rear elevation view of the second embodiment of the drawer for a wall mounted storage system;

FIG. 4 is a right side view of the second embodiment of the drawer for a wall mounted storage system;

FIG. 5 is a left side view of the second embodiment of the drawer for a wall mounted storage system;

FIG. 6 is a top plan view of the second embodiment of the drawer for a wall mounted storage system; and,

FIG. 7 is a bottom plan view of the second embodiment of the drawer for a wall mounted storage system.

The dot-dash lines represents boundaries to the drawer for wall mounted storage system and forms no part of the claimed design.

The broken lines shown in the figures represent portions of the drawer for wall mounted storage system that form no part of the claimed design.

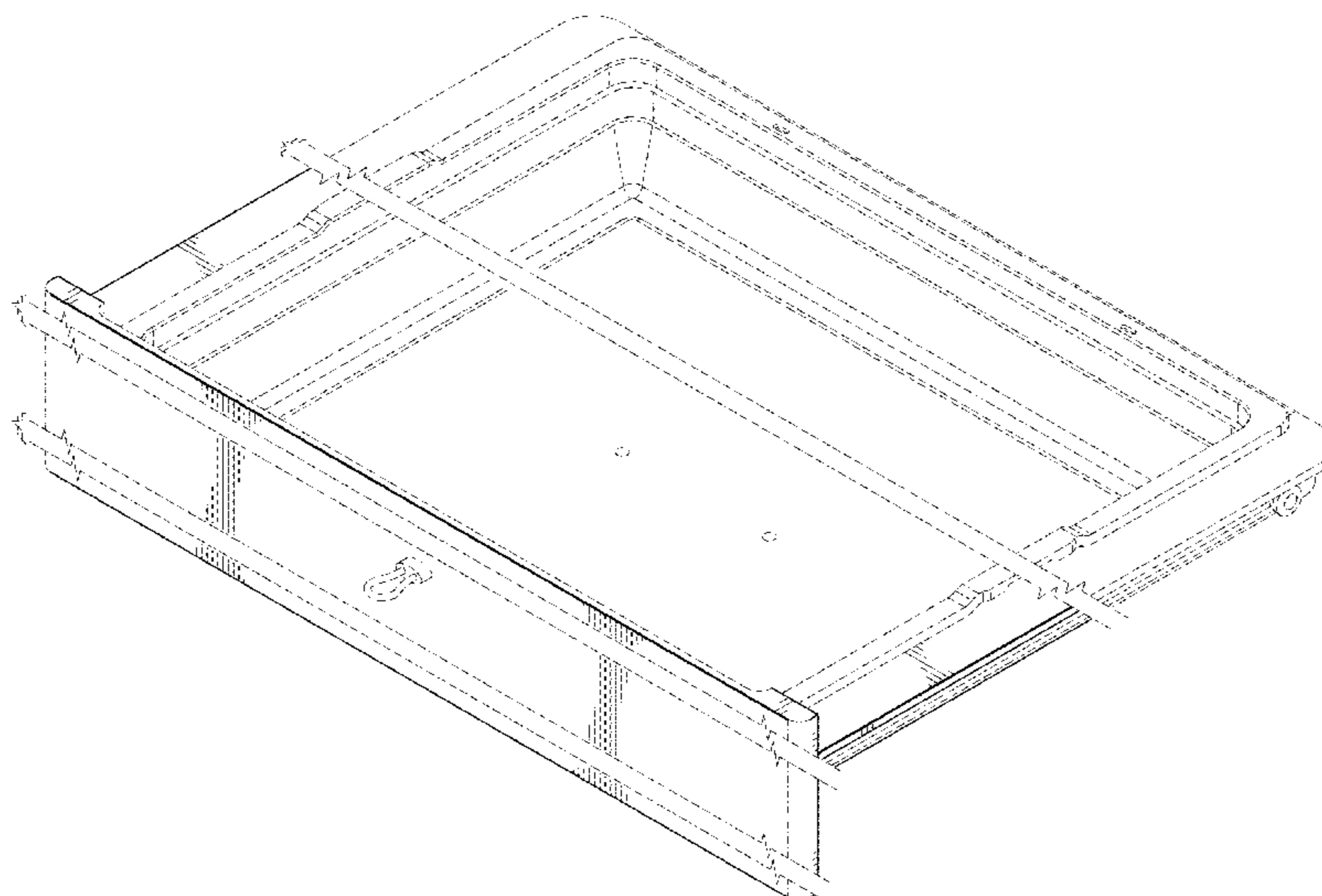
The drawer for wall mounted storage system is shown with a symbolic break in its length. The appearance of any portion of the article between the break lines forms no part of the claimed design.

(56) **References Cited**

U.S. PATENT DOCUMENTS

2,562,290 A 7/1951 Dickerson
2,661,993 A 12/1953 Little
3,278,248 A 10/1966 Tibor
4,312,086 A 1/1982 Bianco

1 Claim, 5 Drawing Sheets



(56)

References Cited

U.S. PATENT DOCUMENTS

6,428,128	B1	8/2002	Henriott et al.	
6,497,185	B1	12/2002	Barrett et al.	
D479,932	S *	9/2003	Clucas	D6/560
D529,254	S *	9/2006	Huguet	D34/27
D577,936	S *	10/2008	Held	D6/705.4
D674,626	S *	1/2013	Gasser	D6/705.5
D680,361	S	4/2013	Zobel et al.	
D684,402	S *	6/2013	Gasser	D6/705
D684,403	S *	6/2013	Gasser	D6/705
D722,831	S *	2/2015	Tuang	D7/600.1
D732,864	S	6/2015	Clouse et al.	
D733,431	S	7/2015	Kokenge	
9,131,771	B2	9/2015	Lindblom	
D761,236	S	7/2016	Wengreen	
D766,634	S	9/2016	Nilsson et al.	
D770,206	S	11/2016	Nilsson et al.	
D784,745	S	4/2017	Nilsson et al.	
D785,605	S	5/2017	Hochman et al.	
D789,718	S	6/2017	Gokhale et al.	
D800,185	S *	10/2017	Onrat	D15/89
D801,094	S	10/2017	Verna	
D808,697	S	1/2018	Heckler	
D809,672	S	2/2018	Brennan et al.	
2002/0043914	A1	4/2002	Munday et al.	
2015/0296982	A1	10/2015	Chen et al.	

* cited by examiner

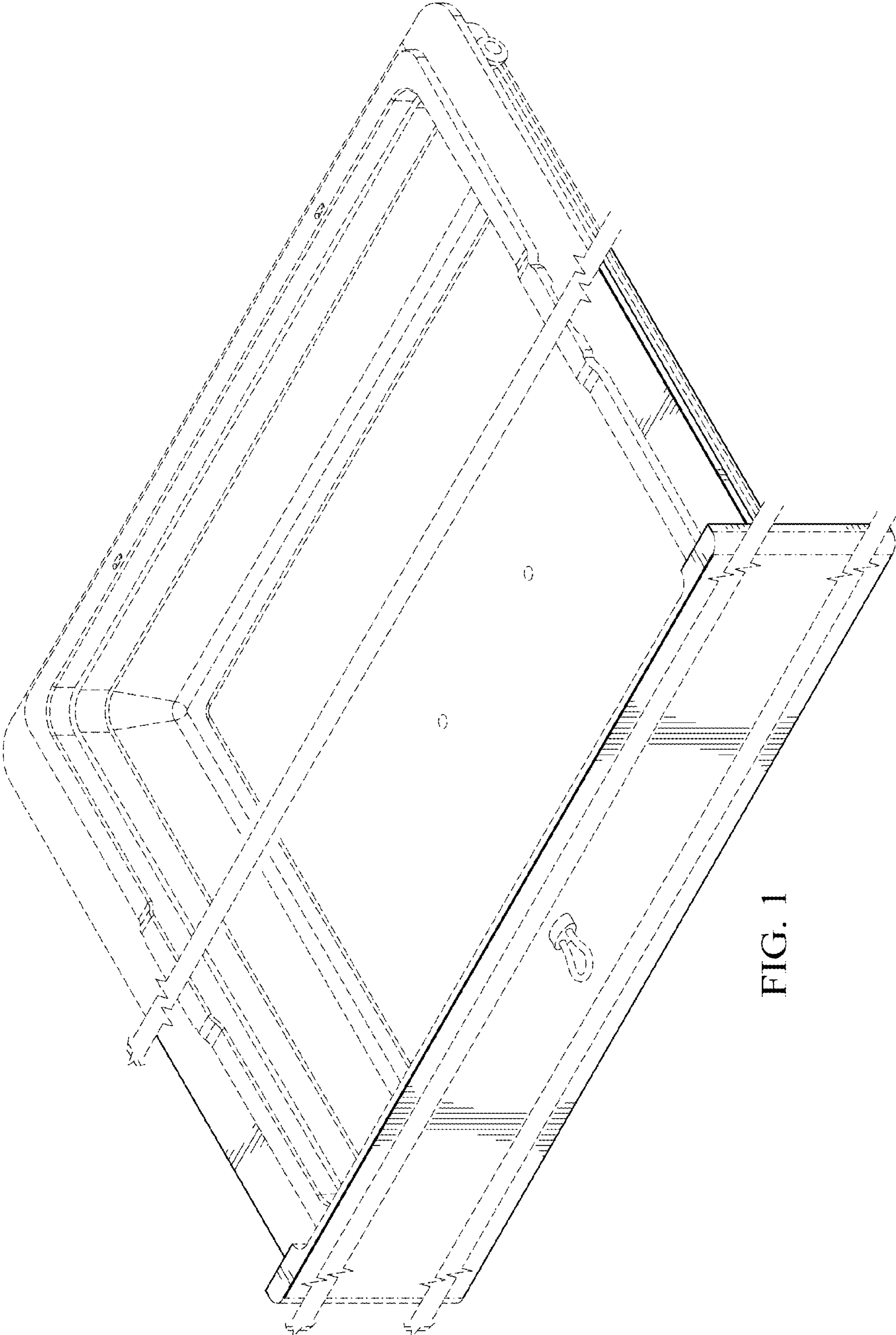


FIG. 1

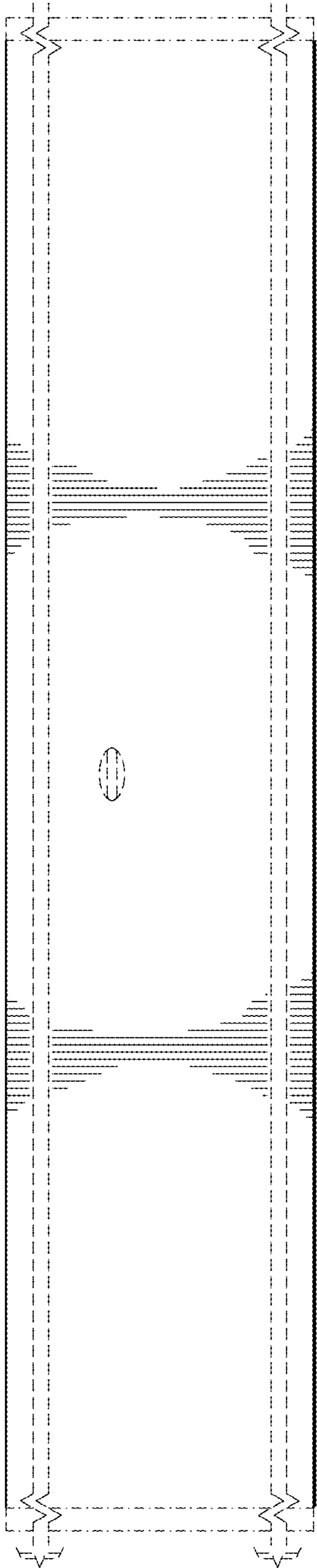


FIG. 2

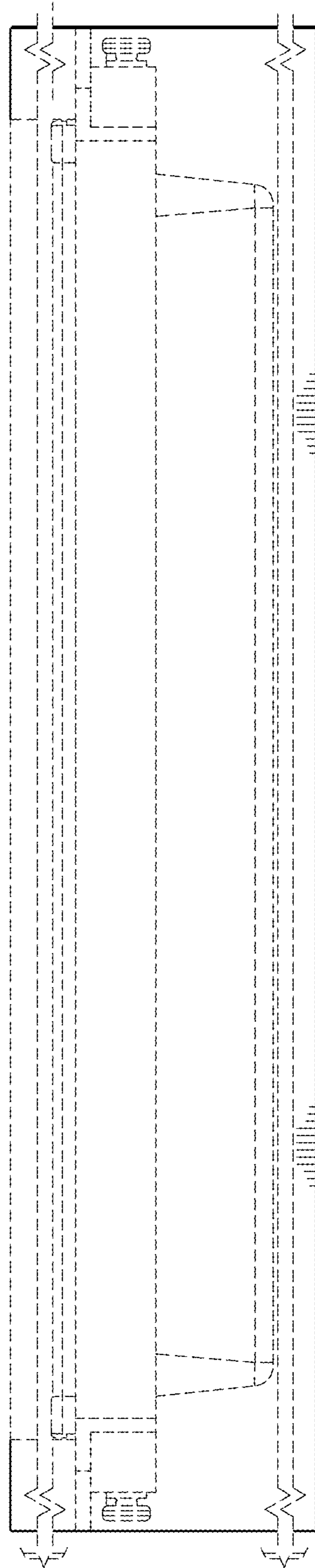


FIG. 3

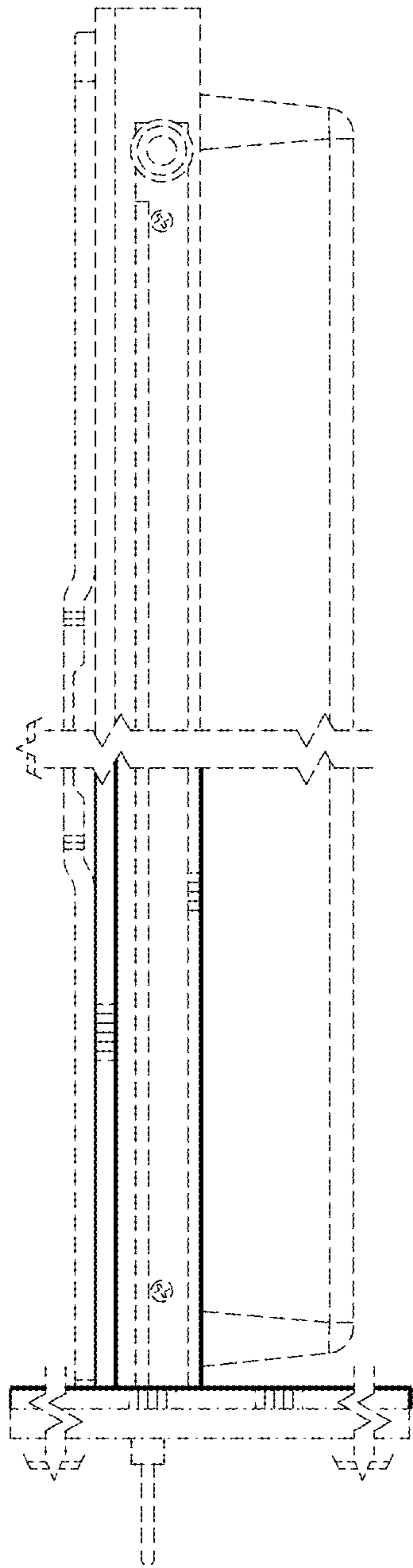


FIG. 4

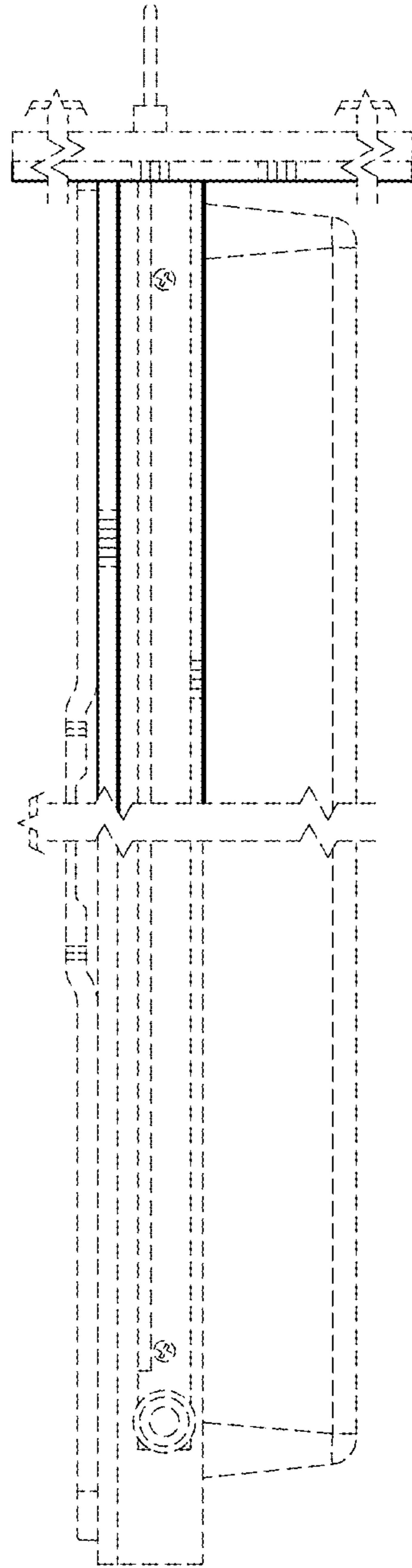


FIG. 5

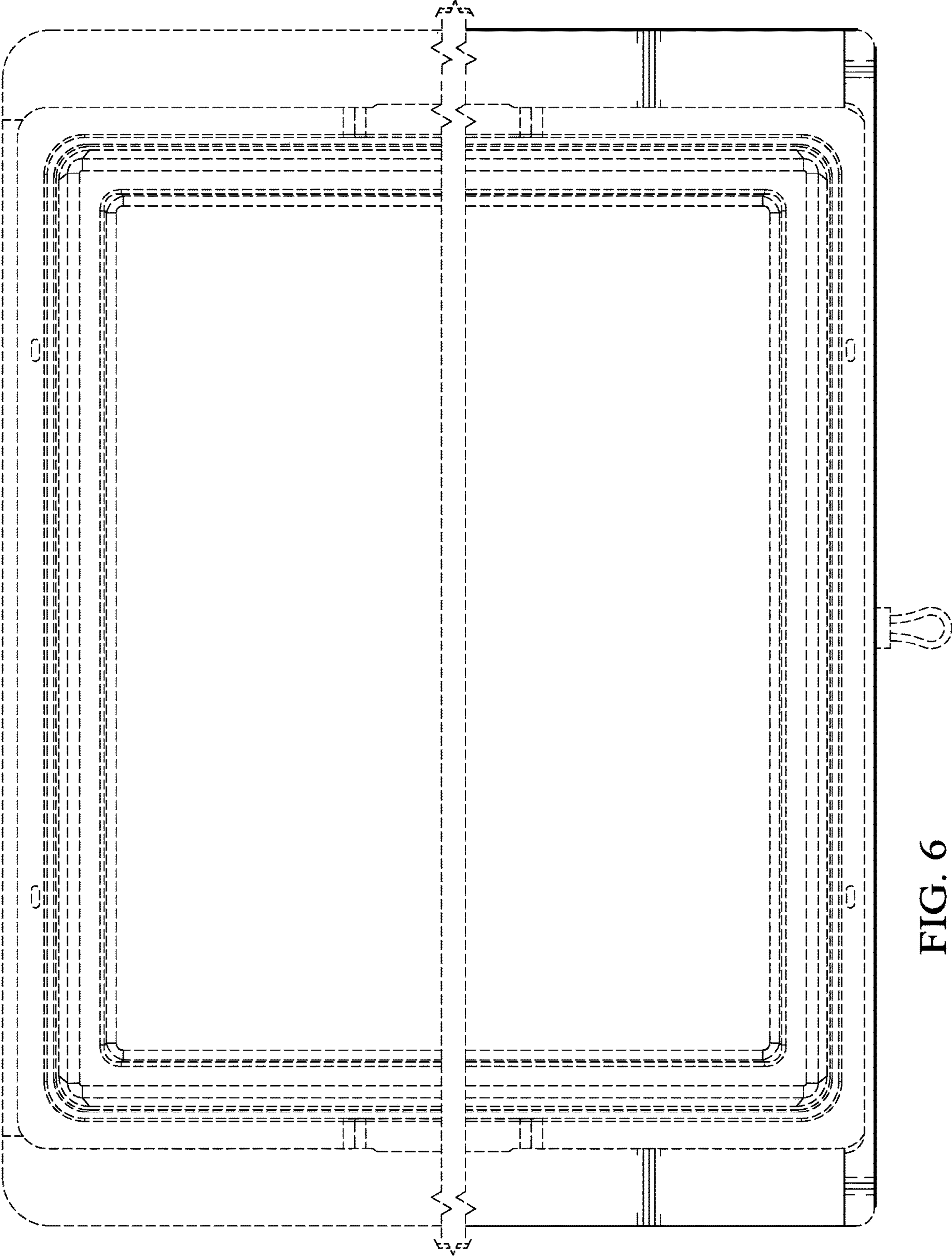


FIG. 6

FIG. 7

