



US00D869194S

(12) **United States Design Patent**  
**Joseph**

(10) **Patent No.:** **US D869,194 S**

(45) **Date of Patent:** **\*\* Dec. 10, 2019**

(54) **SOAP DISPENSER**

D531,844 S \* 11/2006 Snell ..... D6/542  
D563,704 S \* 3/2008 Snell ..... D6/542

(71) Applicant: **JOSEPH JOSEPH, LTD.**, London  
(GB)

\* cited by examiner

(72) Inventor: **Antony Joseph**, London (GB)

*Primary Examiner* — Wan Laymon

*Assistant Examiner* — Mark Booker

(73) Assignee: **JOSEPH JOSEPH, LTD.**, London  
(GB)

(74) *Attorney, Agent, or Firm* — Millen, White, Zelano &  
Branigan, PC

(\*\*) Term: **15 Years**

(21) Appl. No.: **29/659,226**

(57) **CLAIM**

The ornamental design for a soap dispenser, as shown and described.

(22) Filed: **Aug. 7, 2018**

(51) **LOC (12) Cl.** ..... **23-02**

(52) **U.S. Cl.**  
USPC ..... **D6/542**

**DESCRIPTION**

(58) **Field of Classification Search**  
USPC ..... D6/542, 545, 543, 544; 206/77.1;  
221/282–283, 96, 132; 222/92, 105, 173,  
222/180, 181.1, 181.2, 181.3, 282, 283  
CPC ..... B01L 3/52; B05B 11/3014; B05B 9/0403;  
B05B 9/0426; C11D 17/08; A45D 19/02;  
A47K 5/12; A47K 5/1202; A47K 5/1211;  
B67D 7/0255  
See application file for complete search history.

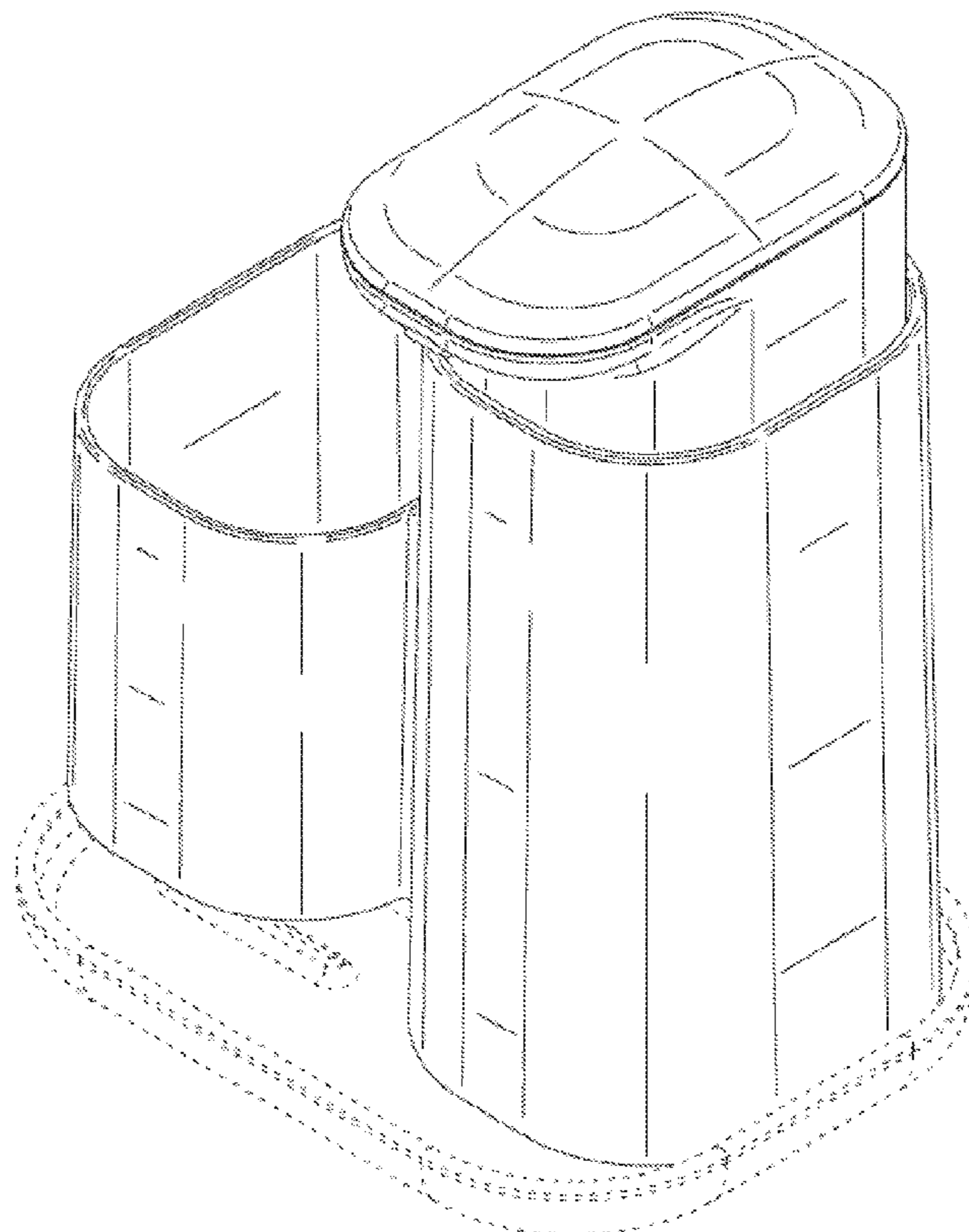
FIG. 1 is a top perspective view of the soap dispenser showing my new design.  
FIG. 2 is a front view thereof.  
FIG. 3 is a back view thereof.  
FIG. 4 is a side view thereof.  
FIG. 5 is another side view thereof.  
FIG. 6 is top view thereof.  
FIG. 7 is a bottom view thereof.  
FIG. 8 is an exploded top perspective view thereof; and,  
FIG. 9 is an exploded bottom perspective view thereof.  
The dashed-dotted-dashed line showing immediately adjacent the shaded areas represents boundaries of the claimed design and forms no part of the claimed design.

(56) **References Cited**

U.S. PATENT DOCUMENTS

D486,336 S \* 2/2004 Snell ..... D6/542  
D531,843 S \* 11/2006 Snell ..... D6/542

**1 Claim, 9 Drawing Sheets**



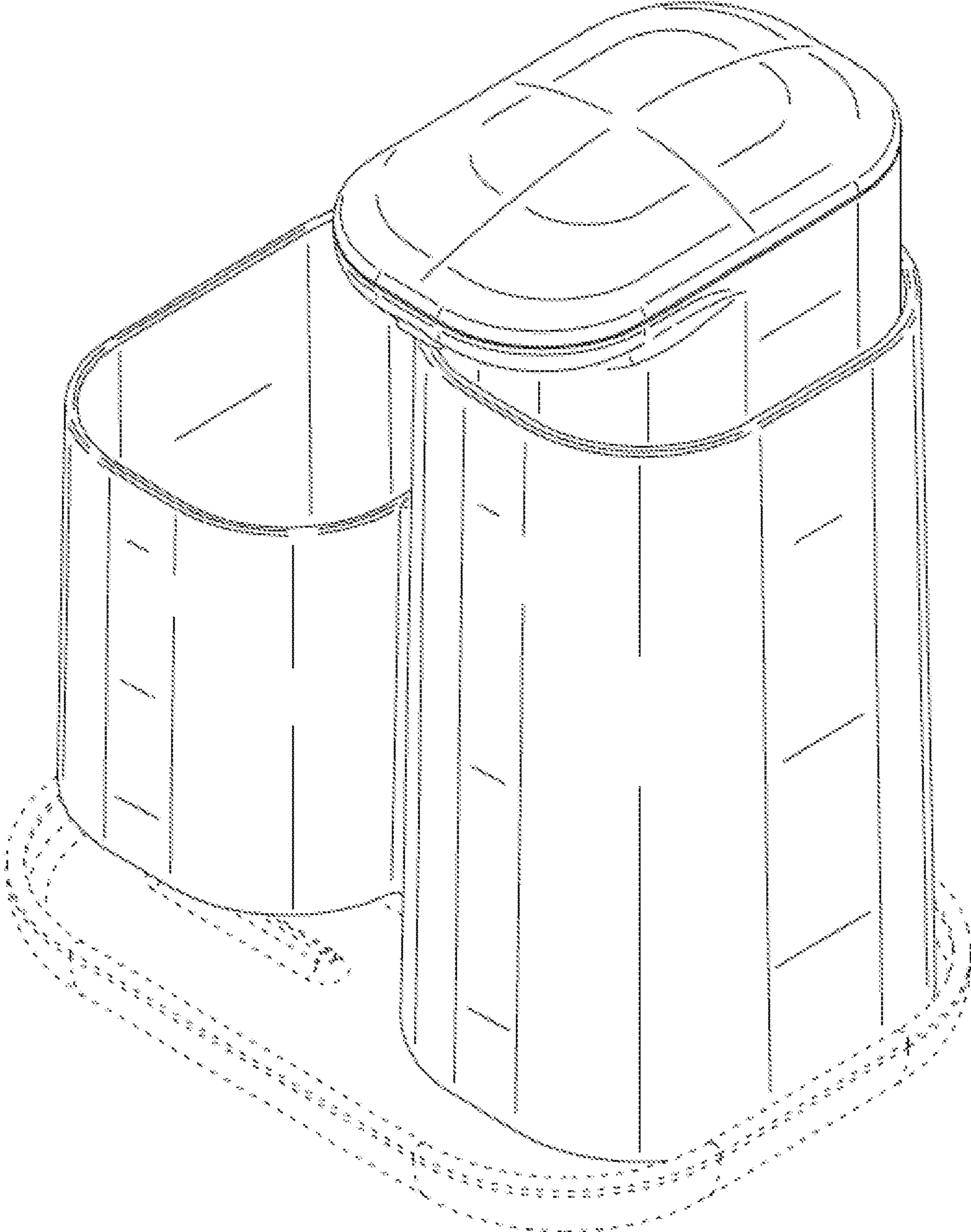


FIG. 1

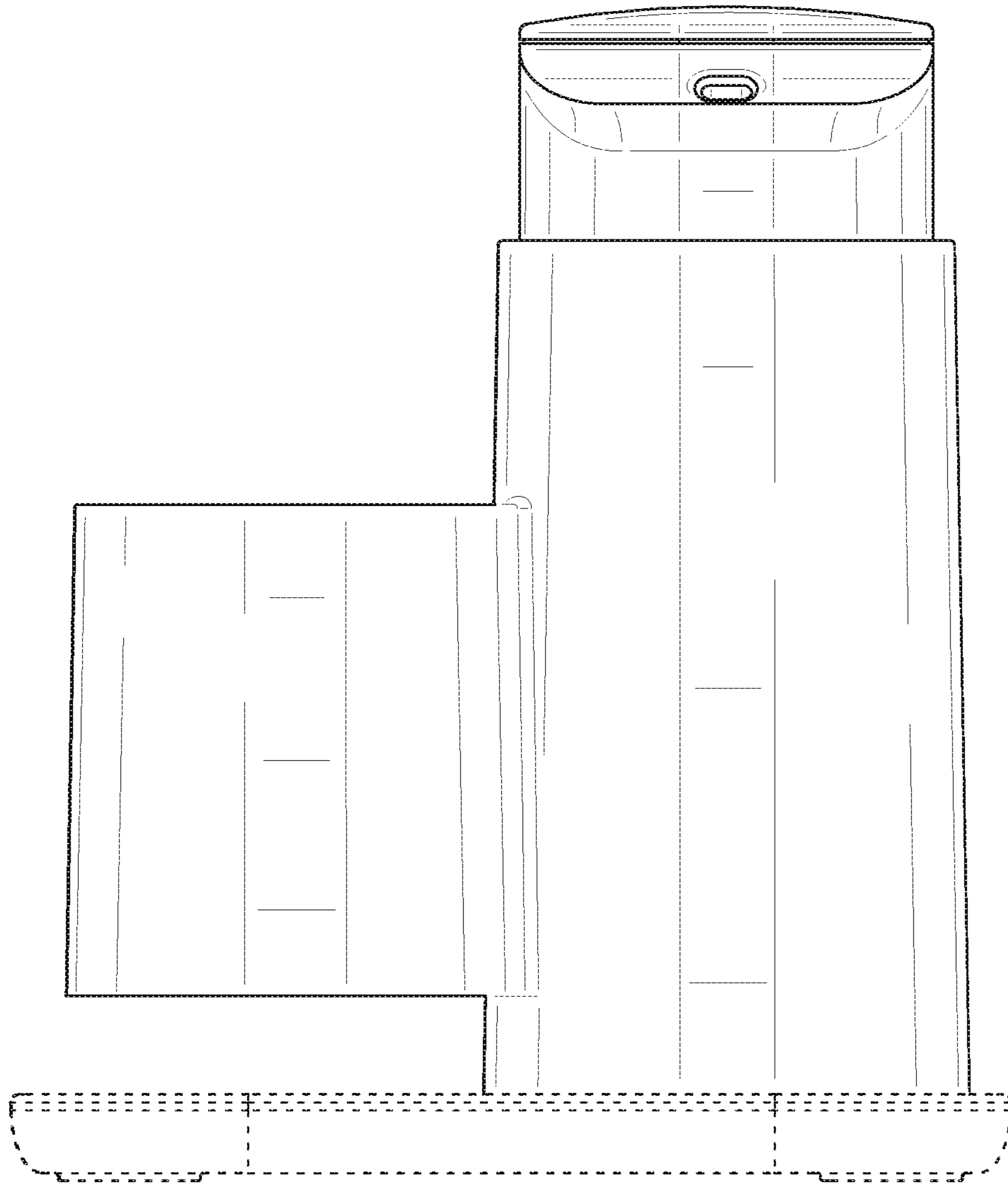


FIG. 2

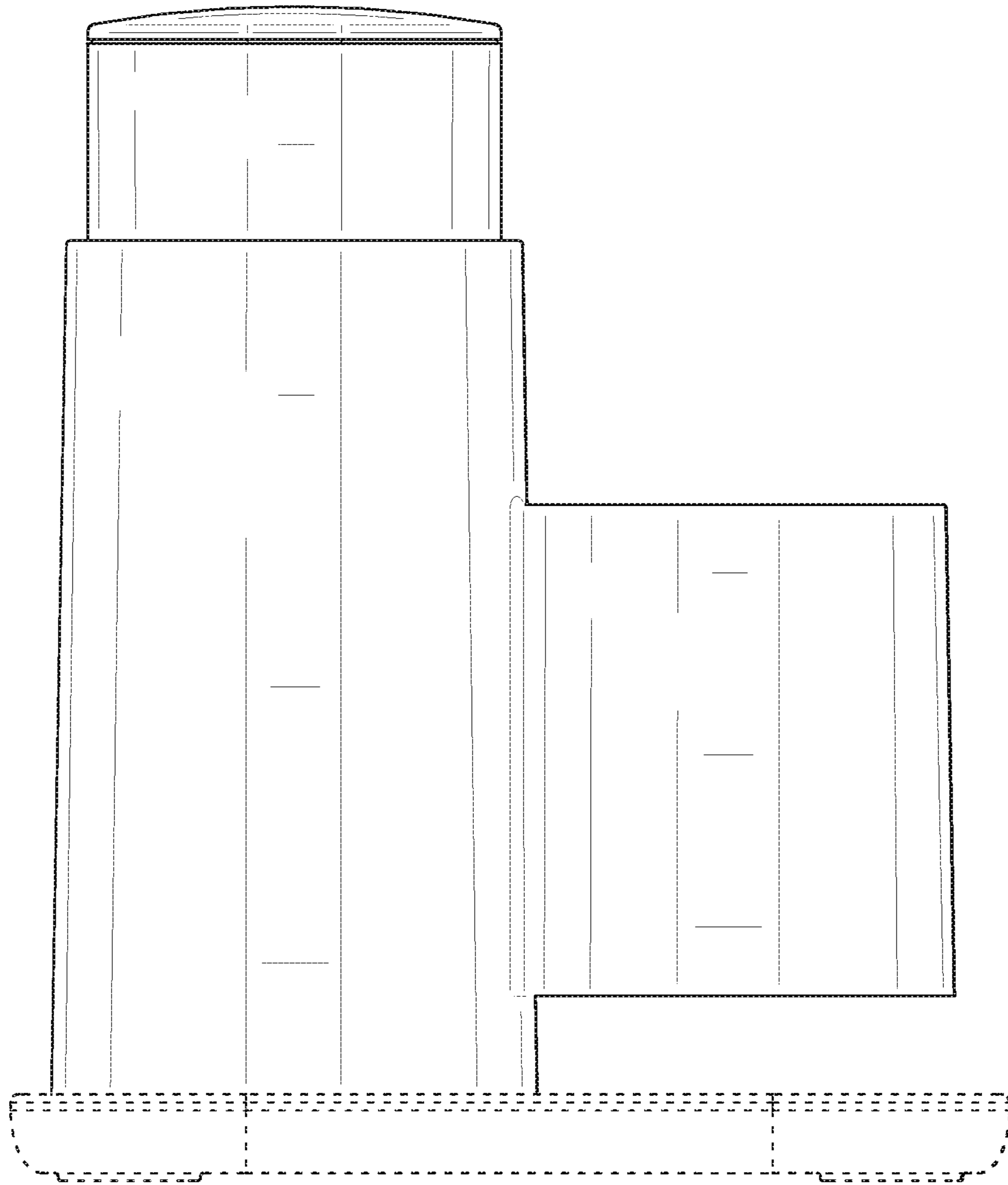


FIG. 3

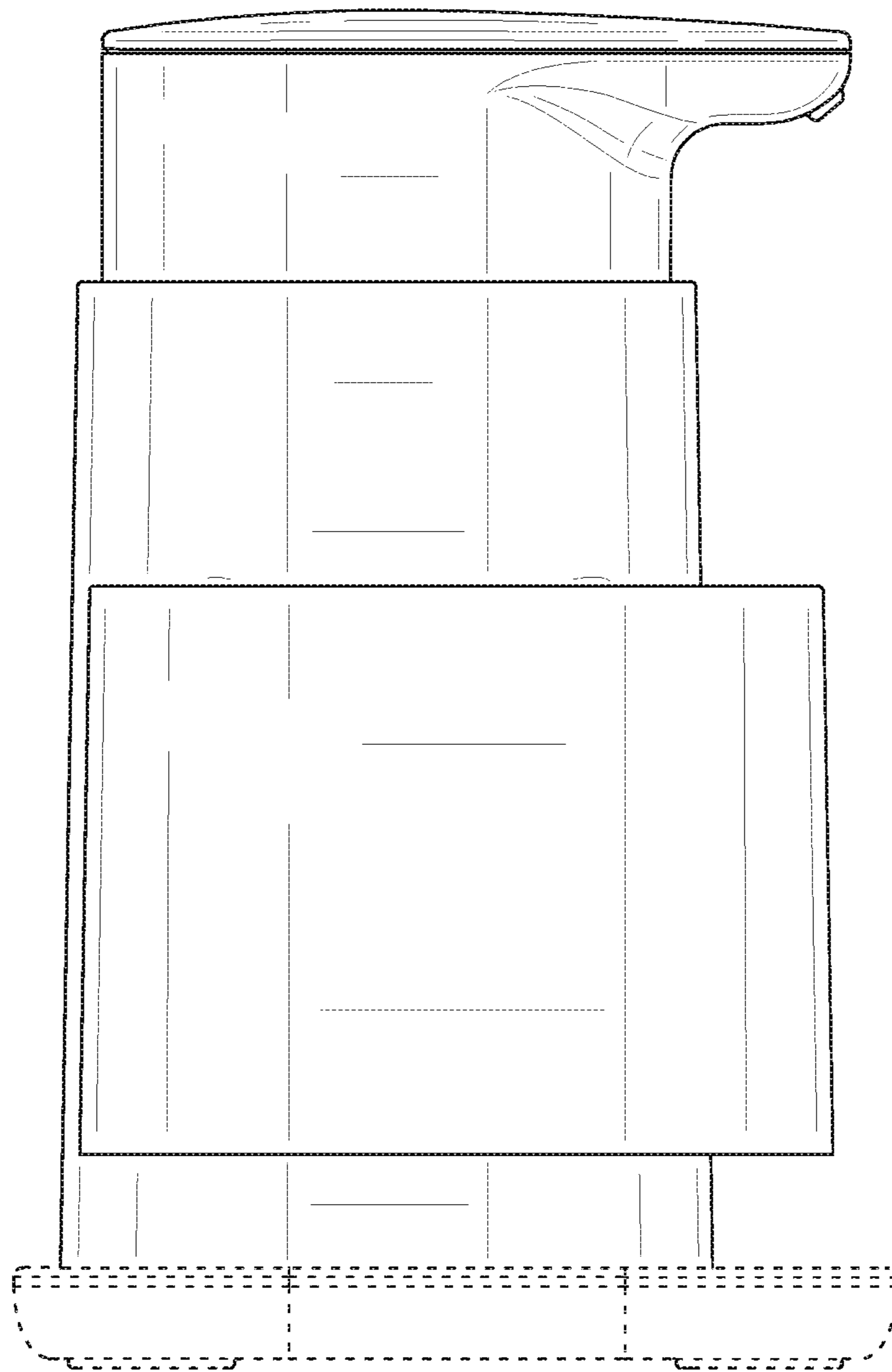


FIG. 4

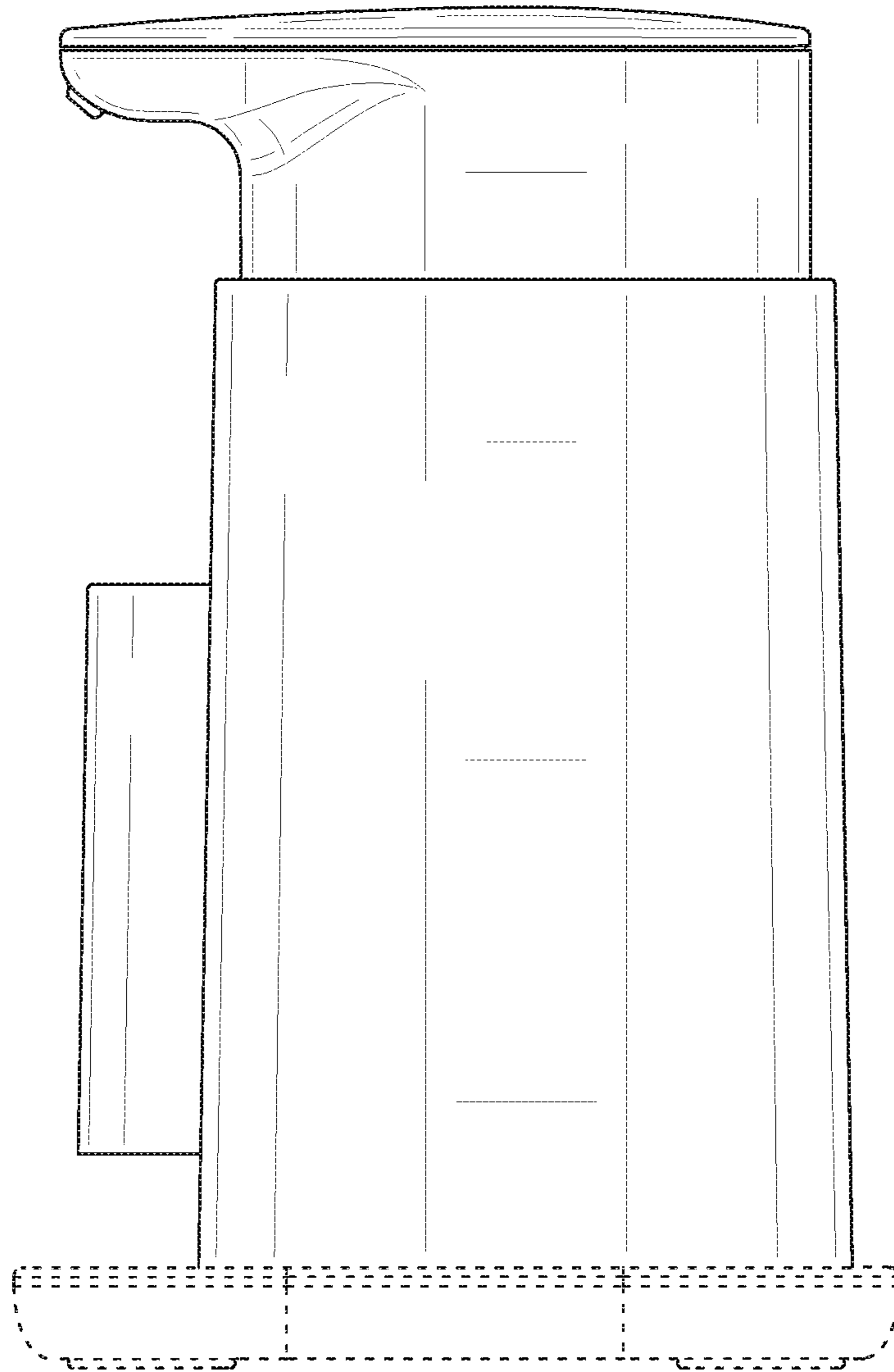


FIG. 5



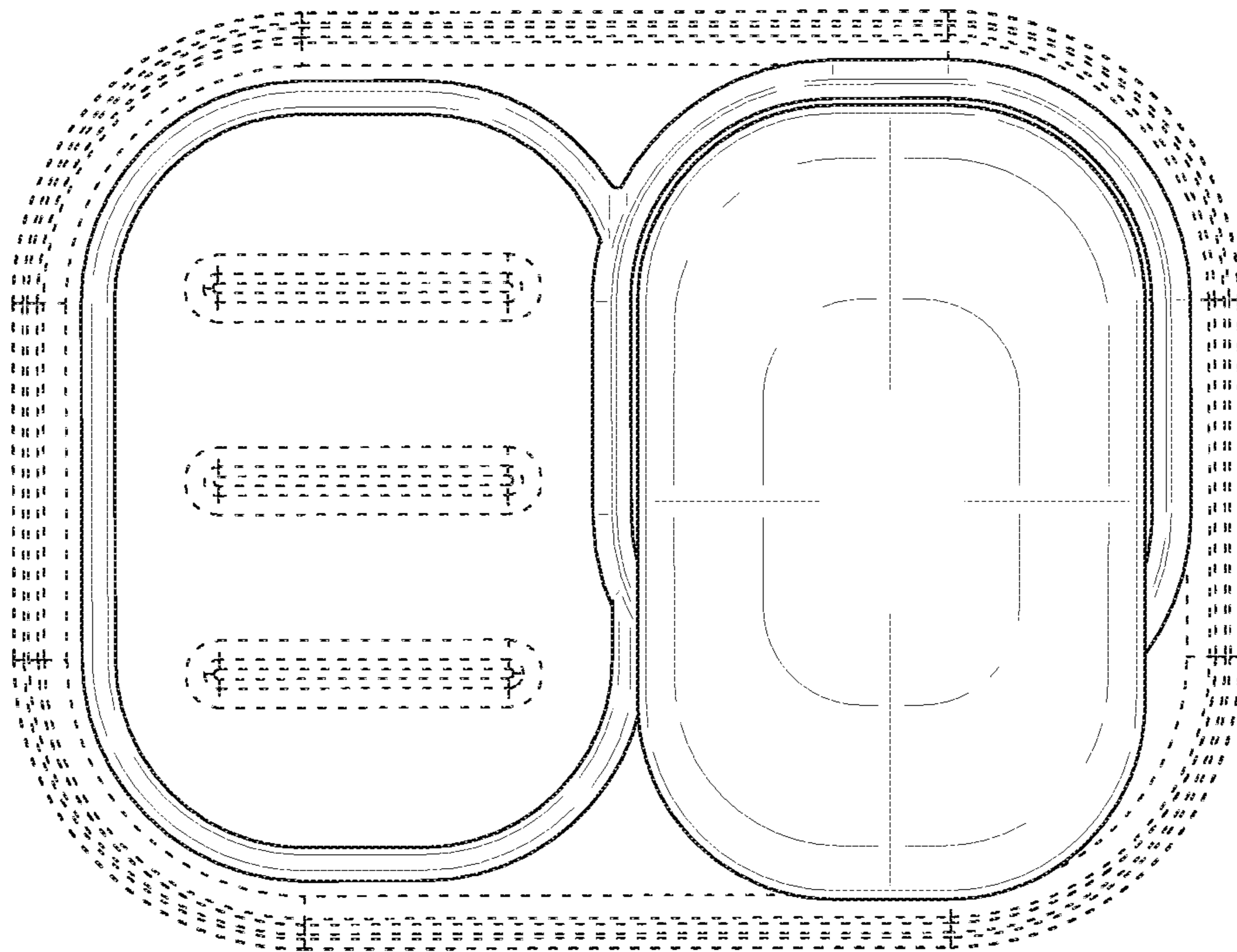


FIG. 6

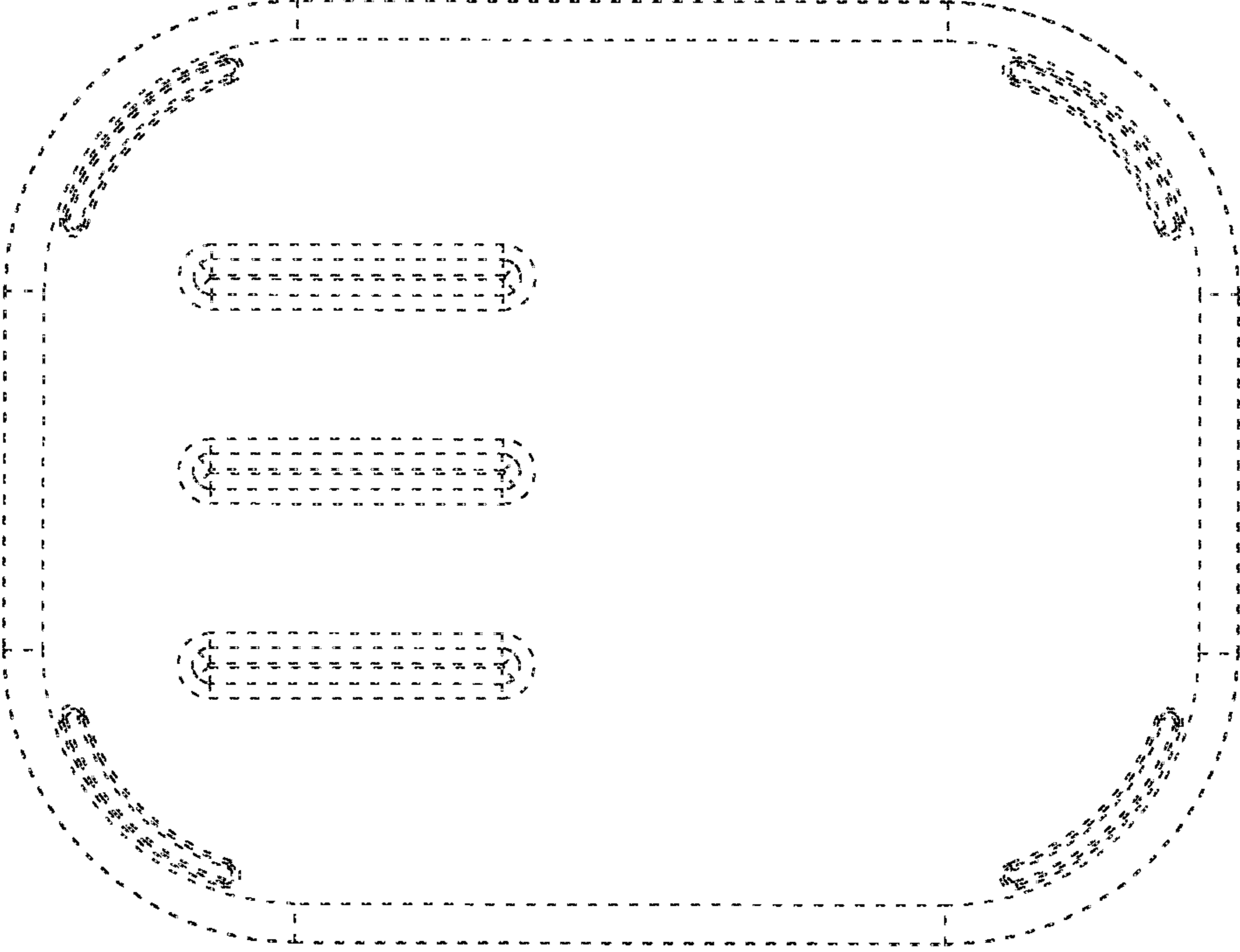


FIG. 7



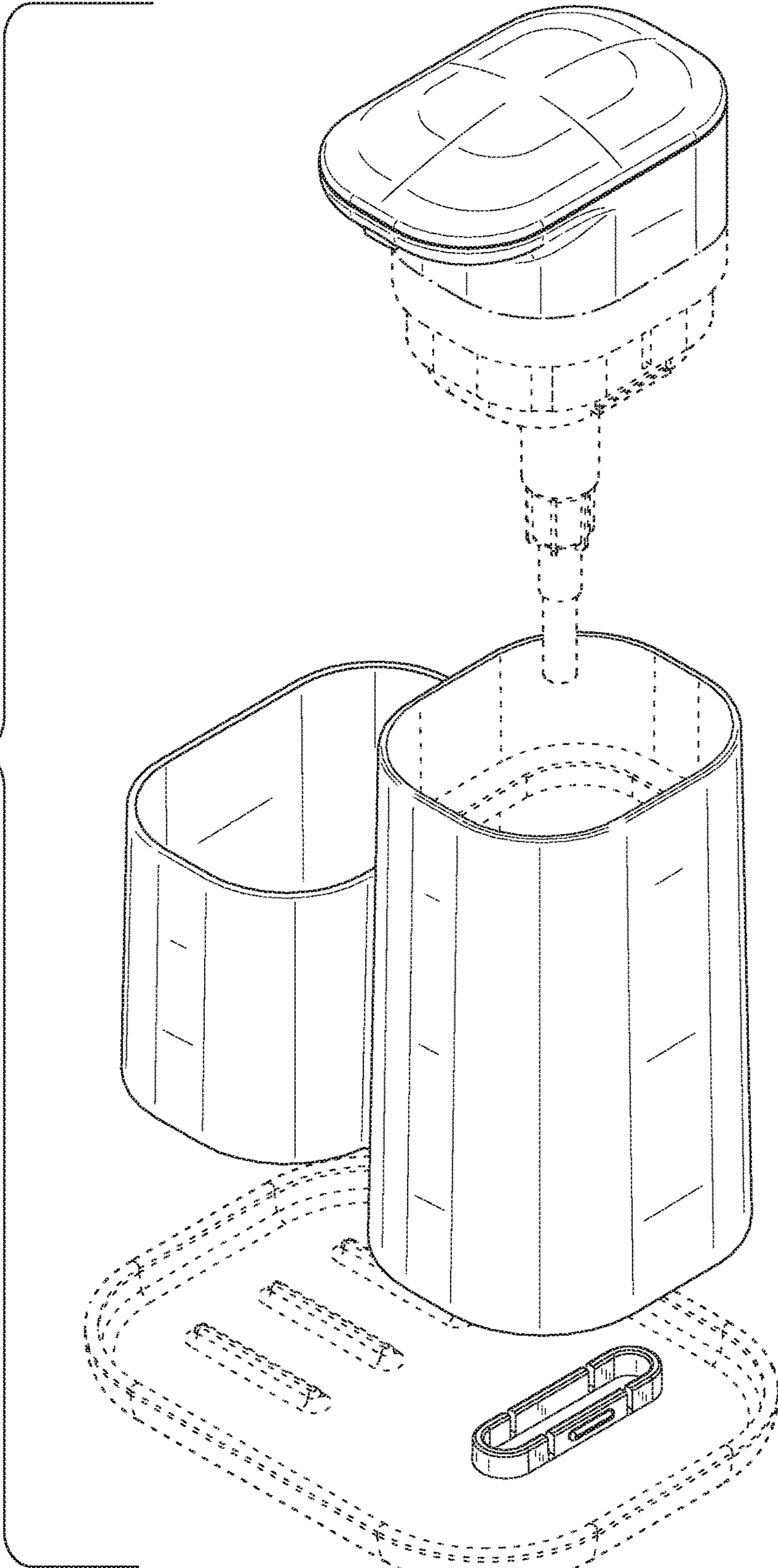


FIG. 8

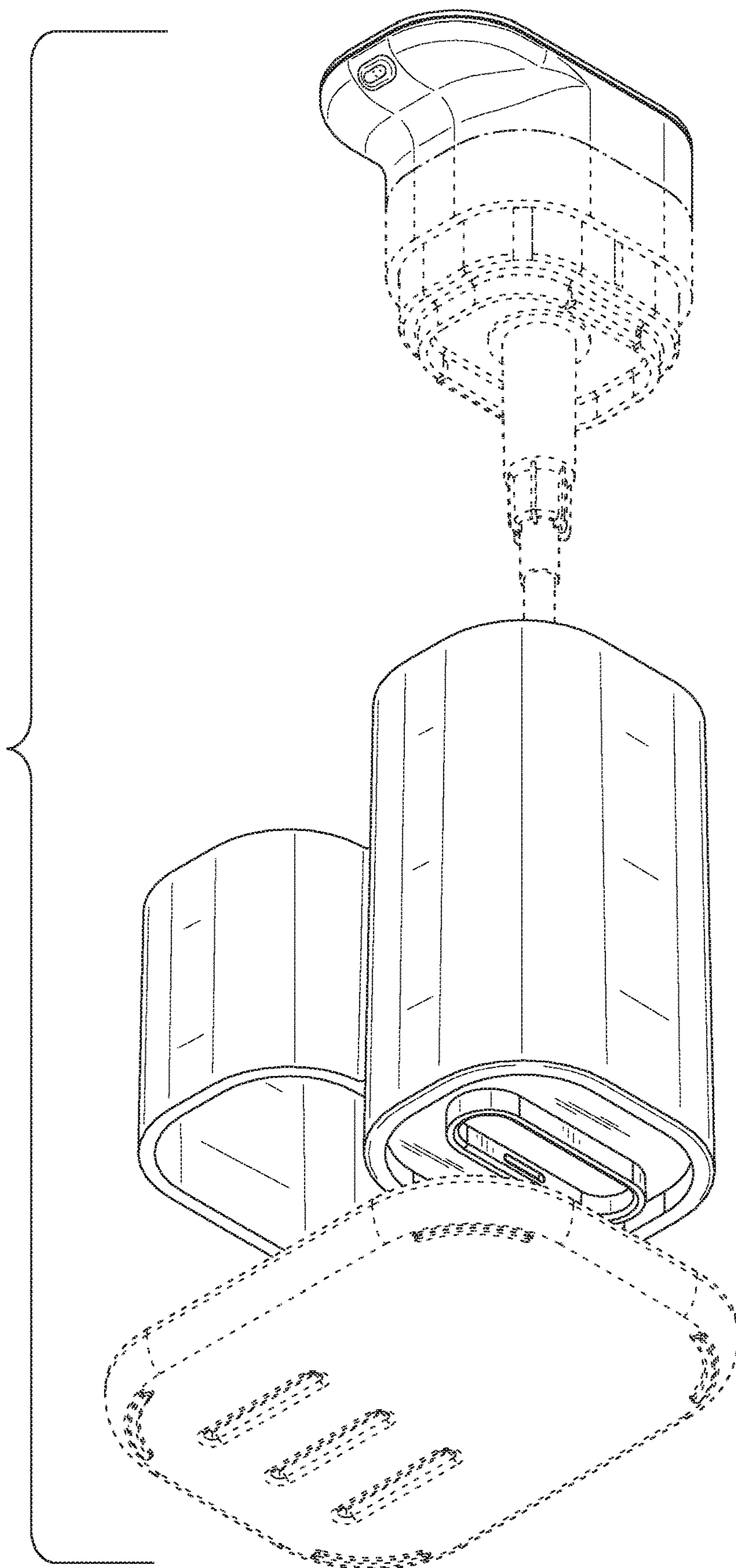


FIG. 9