

US00D869193S

(12) **United States Design Patent** (10) **Patent No.:** **US D869,193 S**
Peterson (45) **Date of Patent:** **** Dec. 10, 2019**

(54) **FLUID DISPENSER**

(71) Applicant: **GPCP IP Holdings LLC**, Atlanta, GA (US)

(72) Inventor: **Eric Paul Peterson**, Mount Horeb, WI (US)

(73) Assignee: **GPCP IP HOLDINGS LLC**, Atlanta, GA (US)

(**) Term: **15 Years**

(21) Appl. No.: **29/609,230**

(22) Filed: **Jun. 29, 2017**

(51) **LOC (12) Cl.** **23-02**

(52) **U.S. Cl.**
USPC **D6/542**

(58) **Field of Classification Search**
USPC D6/542, 543-545; D7/509, 522, 524, D7/537, 300, 304, 306, 309, 311, 305, D7/308, 310, 312, 317, 321, 322, 307, D7/323; D11/131.1; D23/355-369; D26/9, 14, 17, 22, 24; 222/105, 173, 222/180, 181.1, 181.2, 181.3; 261/DIG. 17, DIG. 42, DIG. 65, DIG. 88, 261/DIG. 89; 239/34, 44, 53, 55, 56,
(Continued)

(56) **References Cited**

U.S. PATENT DOCUMENTS

D340,605 S * 10/1993 Feigenbaum D6/545
D416,418 S * 11/1999 Kampe D6/545
D486,335 S * 2/2004 Sonneman D6/542
(Continued)

OTHER PUBLICATIONS

U.S. Appl. No. 62/490,009, filed Apr. 25, 2017.

Primary Examiner — Wan Laymon

Assistant Examiner — Mark Booker

(74) *Attorney, Agent, or Firm* — Nelson Mullins Riley & Scarborough LLP

(57) **CLAIM**

The ornamental design for a fluid dispenser, as shown and described.

DESCRIPTION

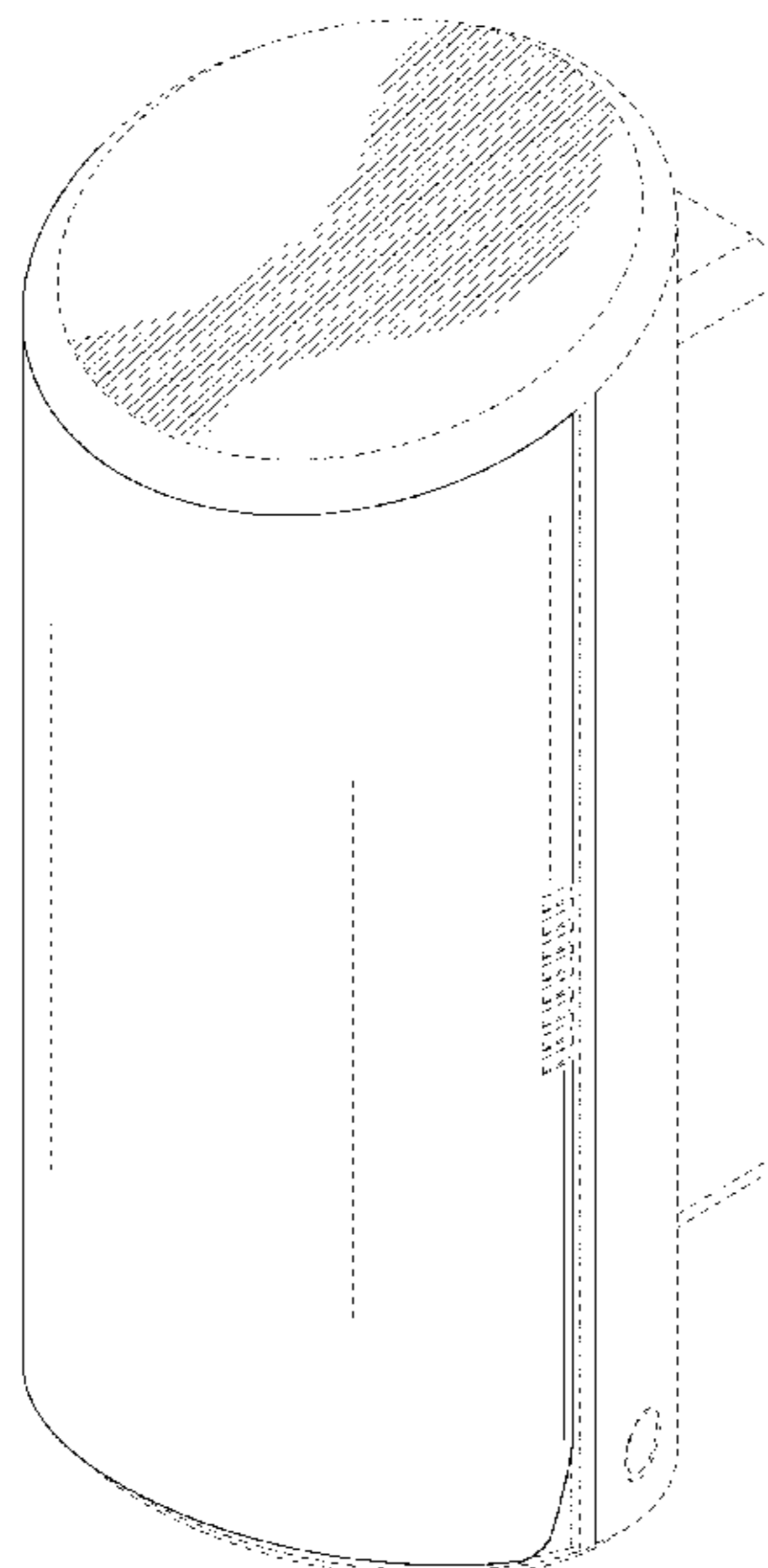
FIG. 1 is a front perspective view of a fluid dispenser in accordance with an embodiment of the present invention; FIG. 2 is a rear perspective view of the fluid dispenser of FIG. 1;

FIG. 3 is a front view of the fluid dispenser of FIG. 1; FIG. 4 is a rear view of the fluid dispenser of FIG. 1; FIG. 5 is a right side view of the fluid dispenser of FIG. 1; FIG. 6 is a left side view of the fluid dispenser of FIG. 1; FIG. 7 is a top view of the fluid dispenser of FIG. 1; FIG. 8 is a bottom view of the fluid dispenser of FIG. 1; FIG. 9 is a front perspective view of a fluid dispenser in accordance with another embodiment of the present invention;

FIG. 10 is a rear perspective view of the fluid dispenser of FIG. 9; FIG. 11 is a front view of the fluid dispenser of FIG. 9; FIG. 12 is a rear view of the fluid dispenser of FIG. 9; FIG. 13 is a right side view of the fluid dispenser of FIG. 9; FIG. 14 is a left side view of the fluid dispenser of FIG. 9; FIG. 15 is a top view of the fluid dispenser of FIG. 9; and, FIG. 16 is a bottom view of the fluid dispenser of FIG. 9.

The broken lines immediately adjacent the shaded areas represents boundaries to the claimed design and forms no part of the claimed design. The broken lines shown in the figures represent portions of the fluid dispenser that form no part of the claimed design.

1 Claim, 15 Drawing Sheets



(58) **Field of Classification Search**

USPC 239/326; 392/386, 390, 394, 395;
99/295, 291; D9/682

CPC A47K 5/1217; A47K 5/1211; A47K 5/12;
A47K 5/1207; A47K 5/122; A47K
5/1202; A47K 5/14

See application file for complete search history.

(56) **References Cited**

U.S. PATENT DOCUMENTS

D530,555 S * 10/2006 Karraker D6/545
D794,471 S * 8/2017 Rossi D9/682
2018/0304288 A1 10/2018 Casper et al.

* cited by examiner

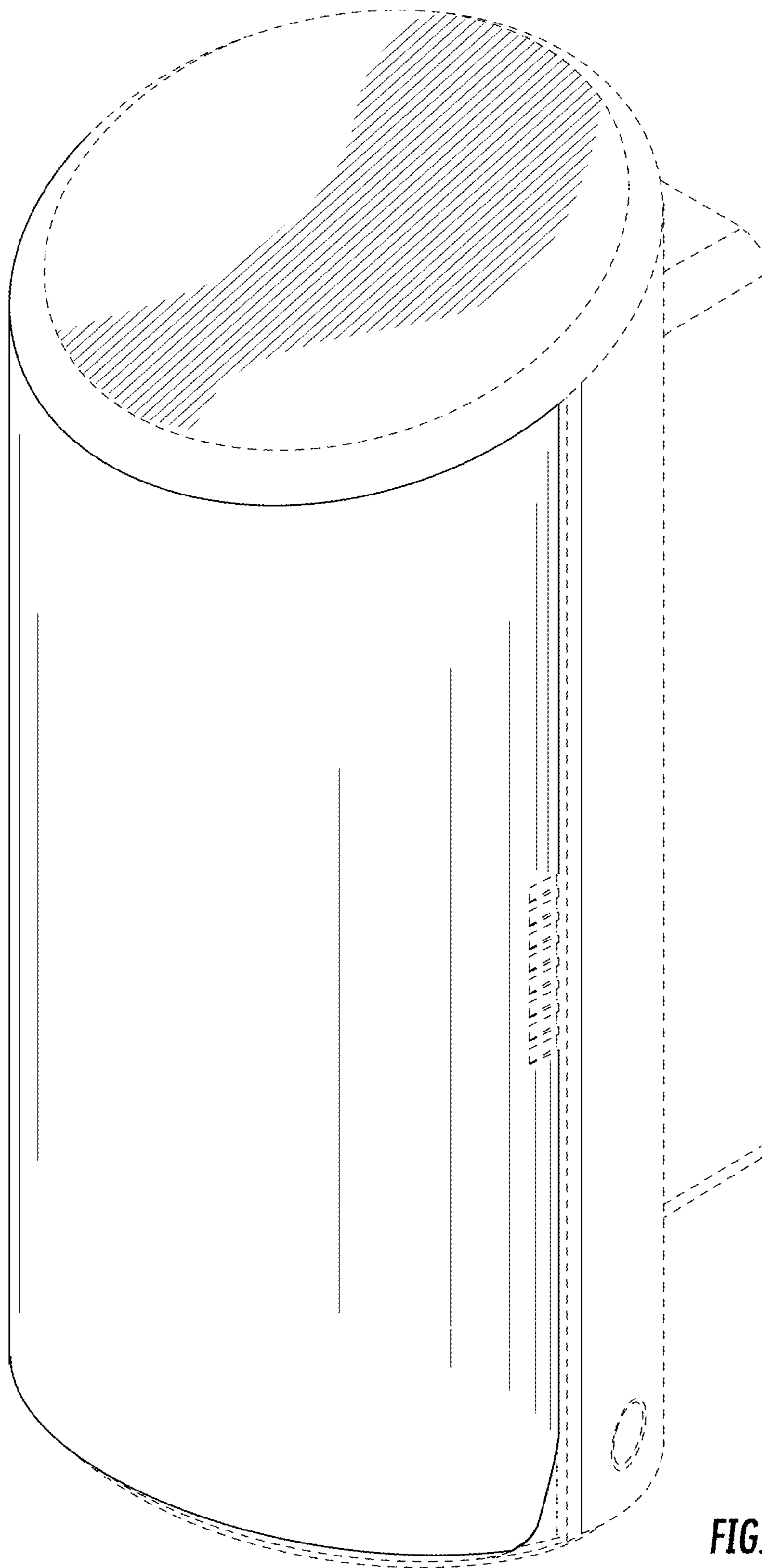


FIG. 1

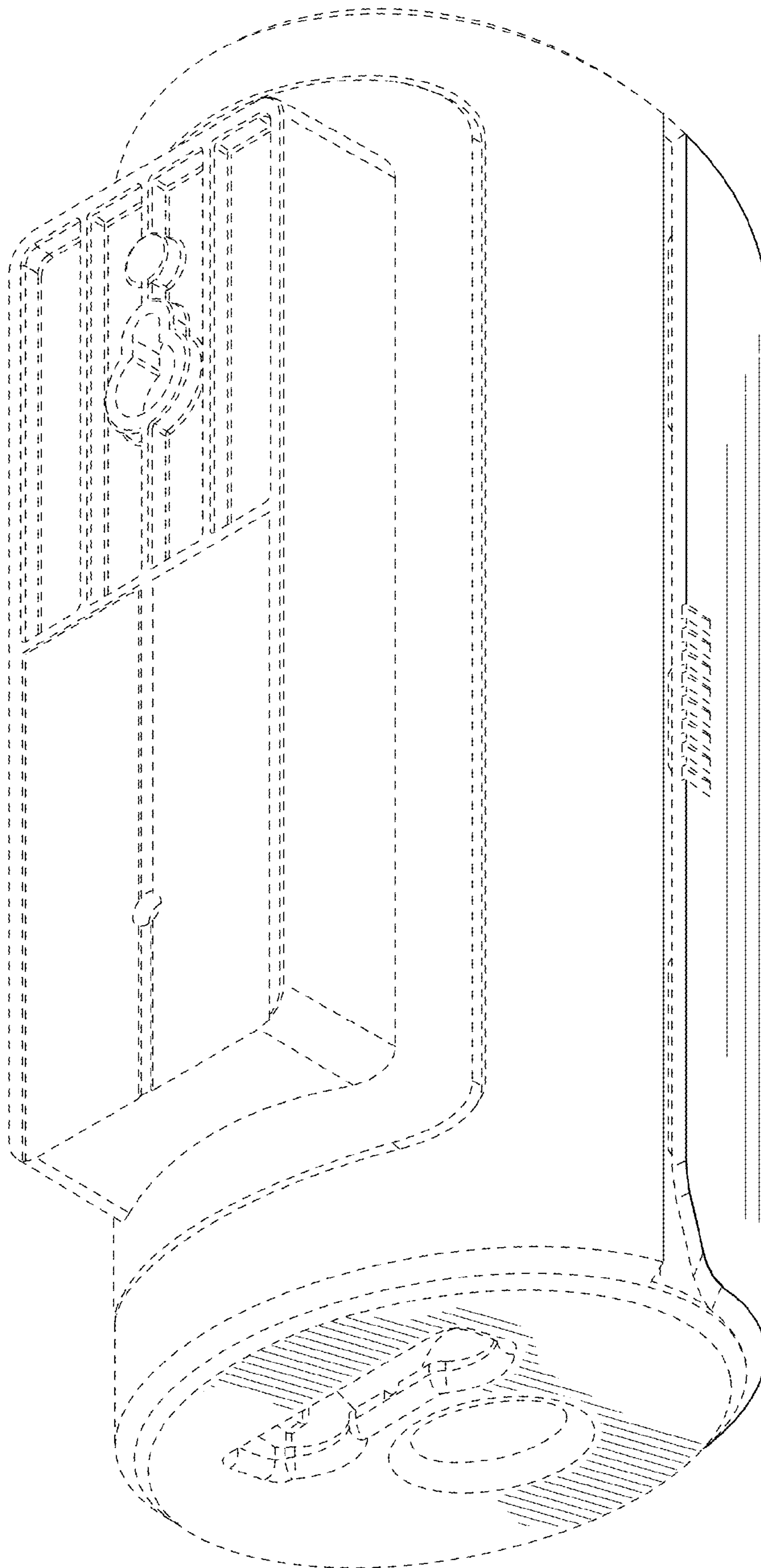


FIG. 2

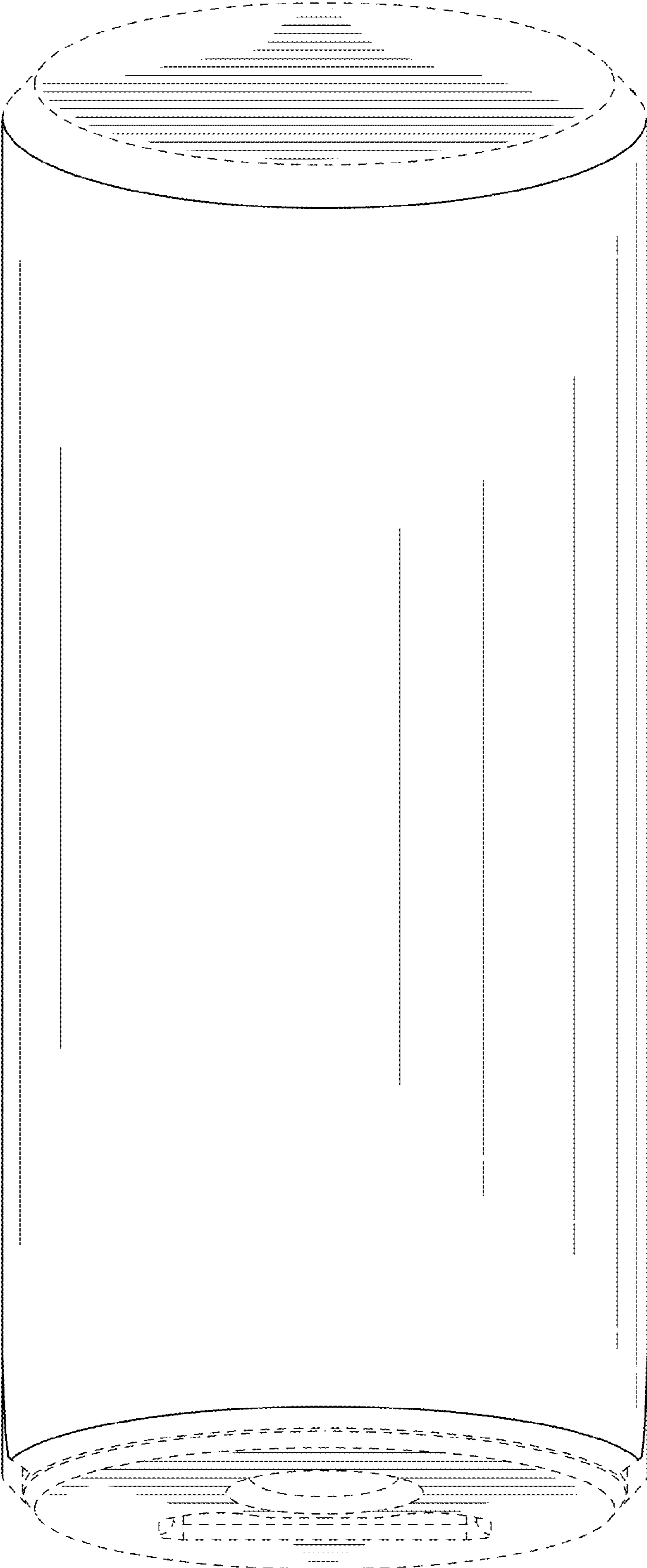


FIG. 3

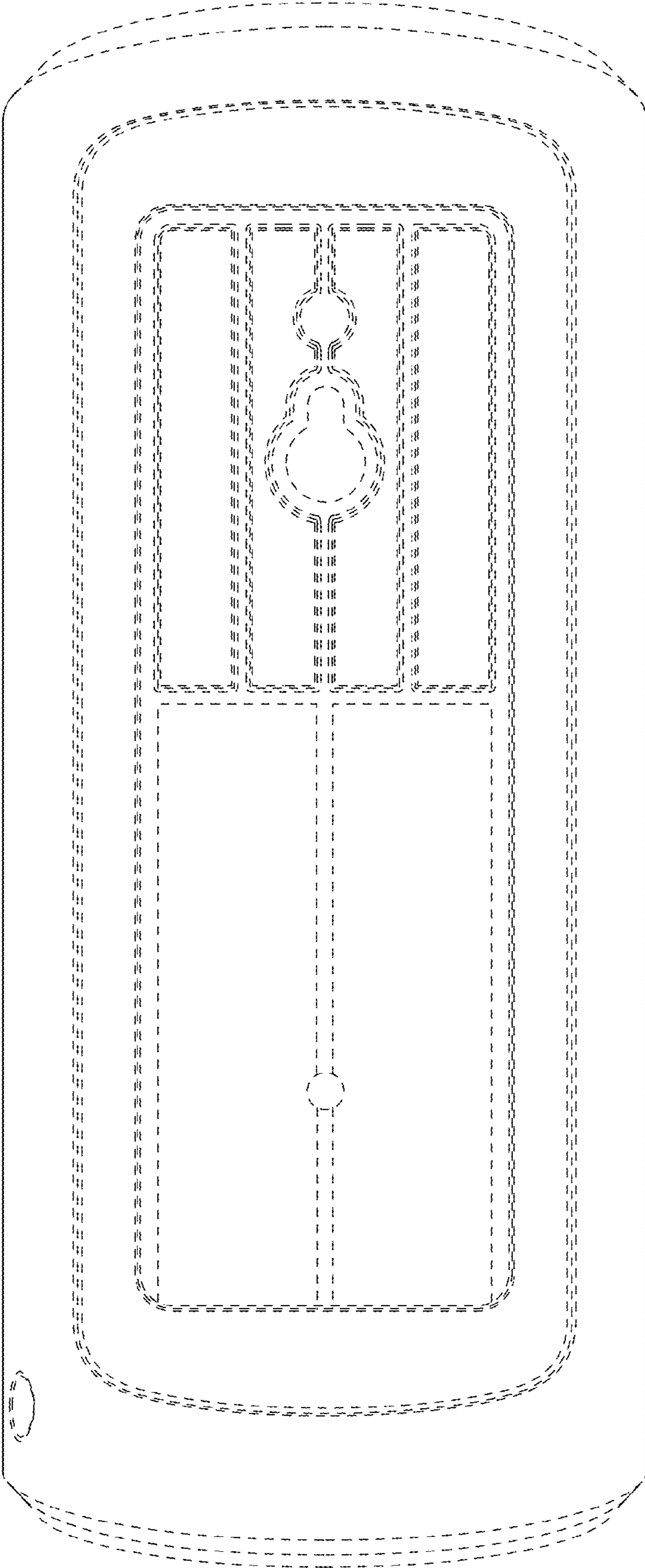


FIG. 4

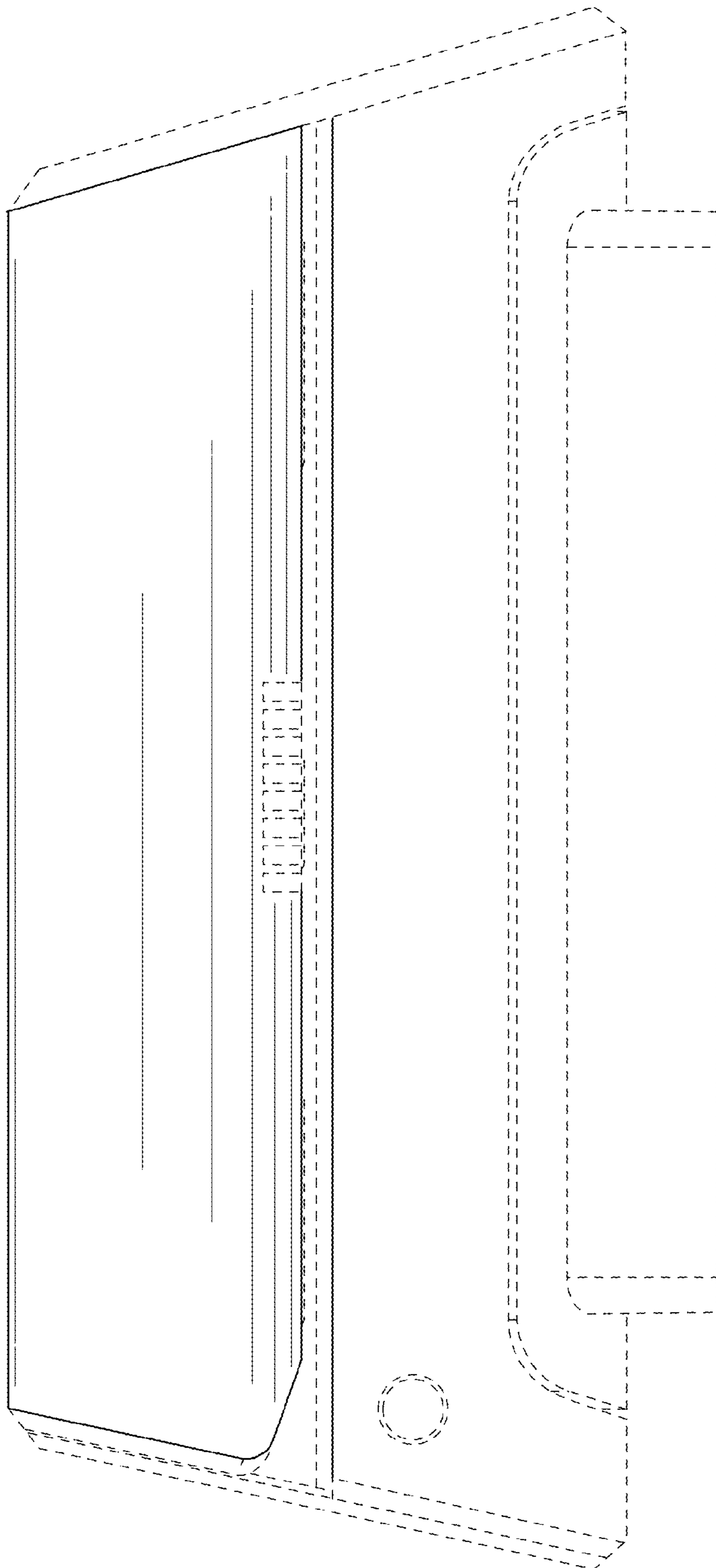


FIG. 5

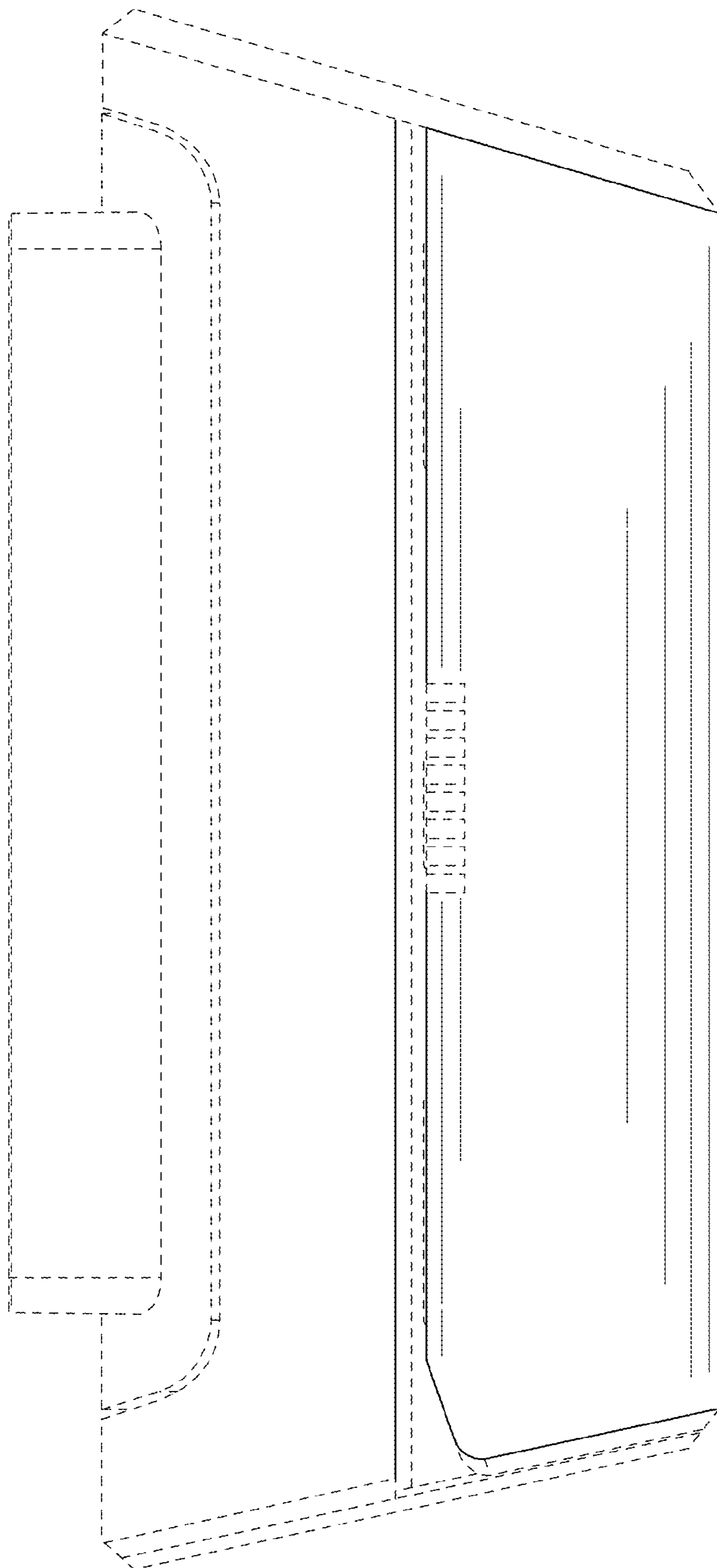


FIG. 6

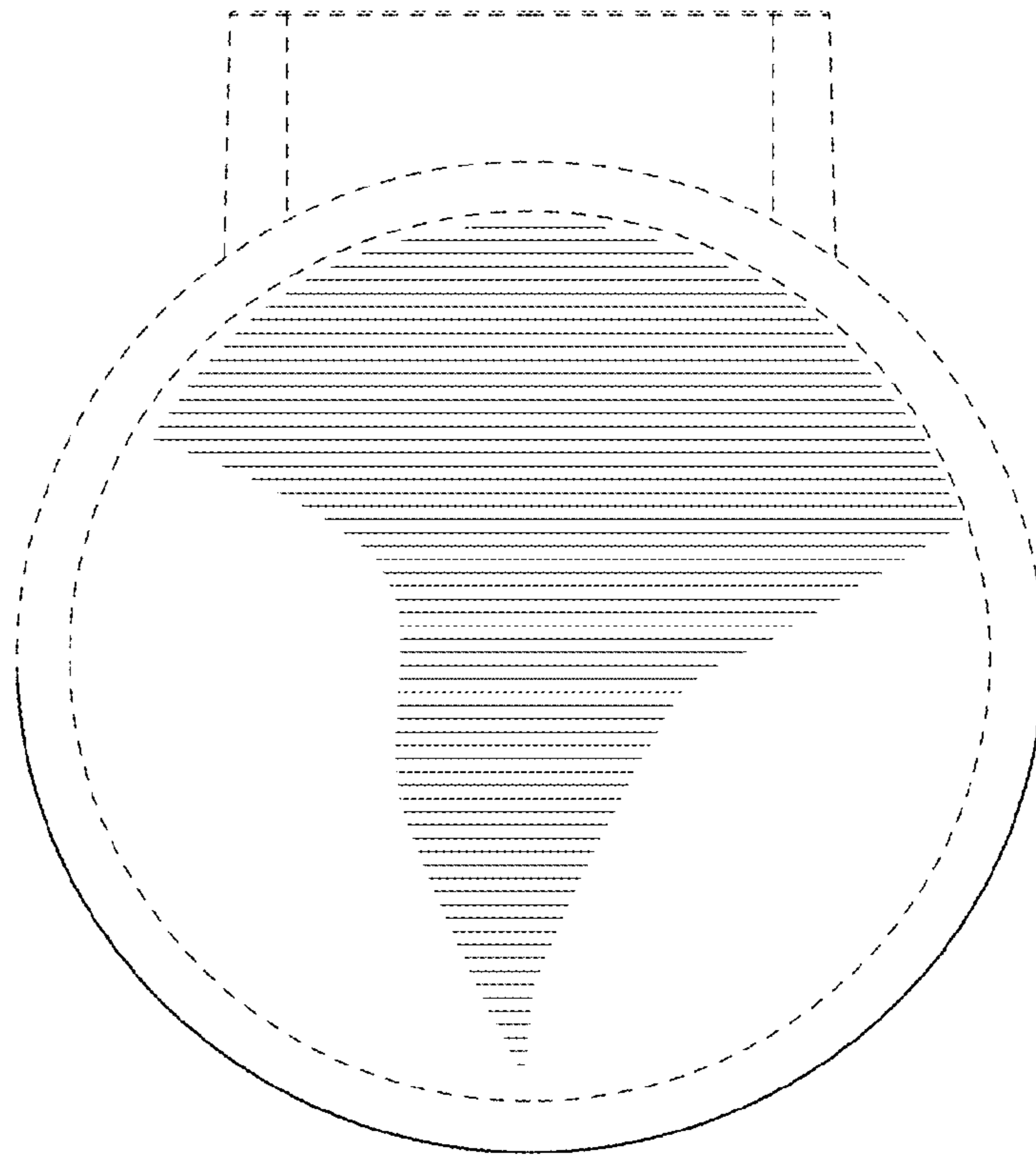


FIG. 7

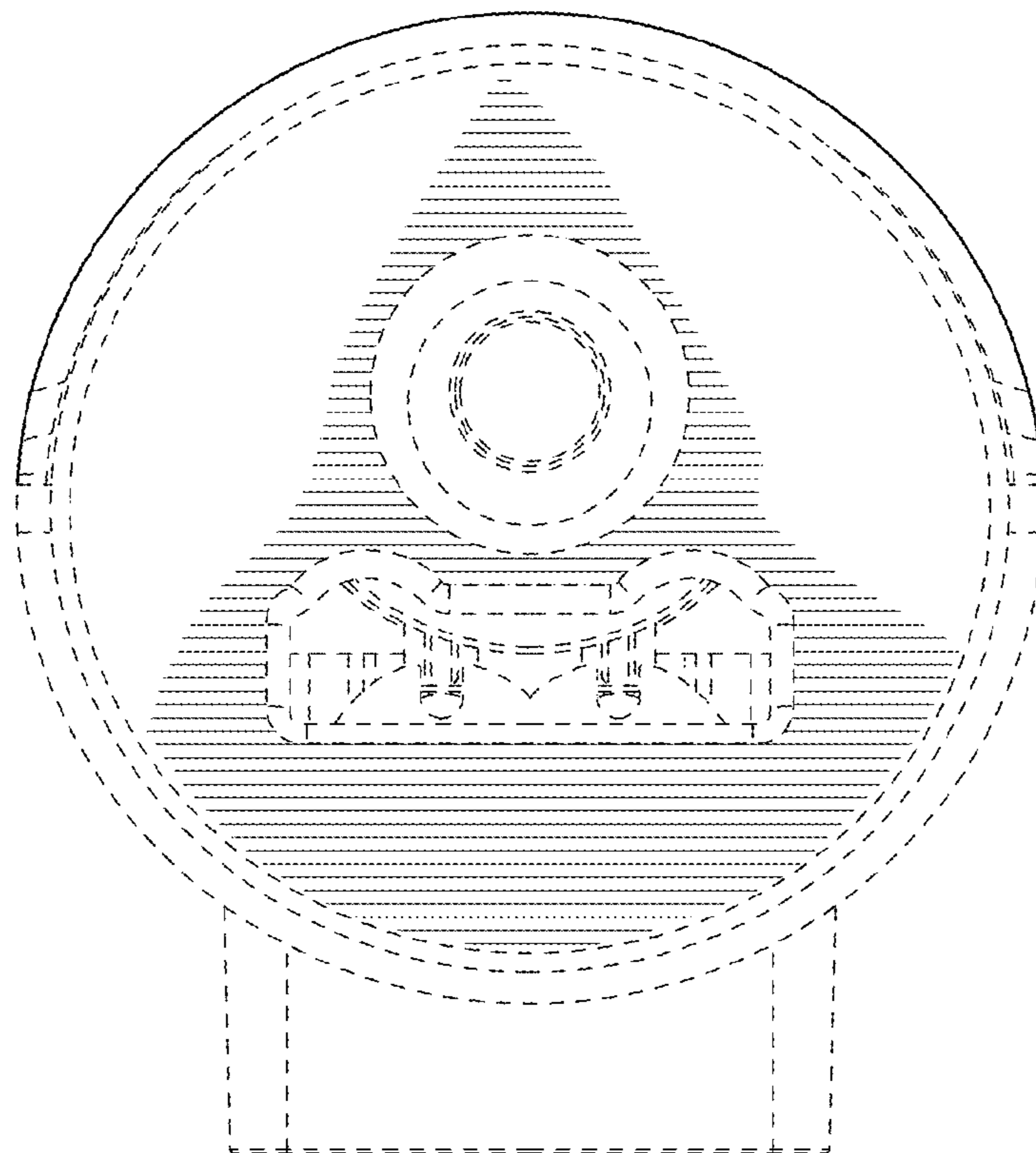


FIG. 8

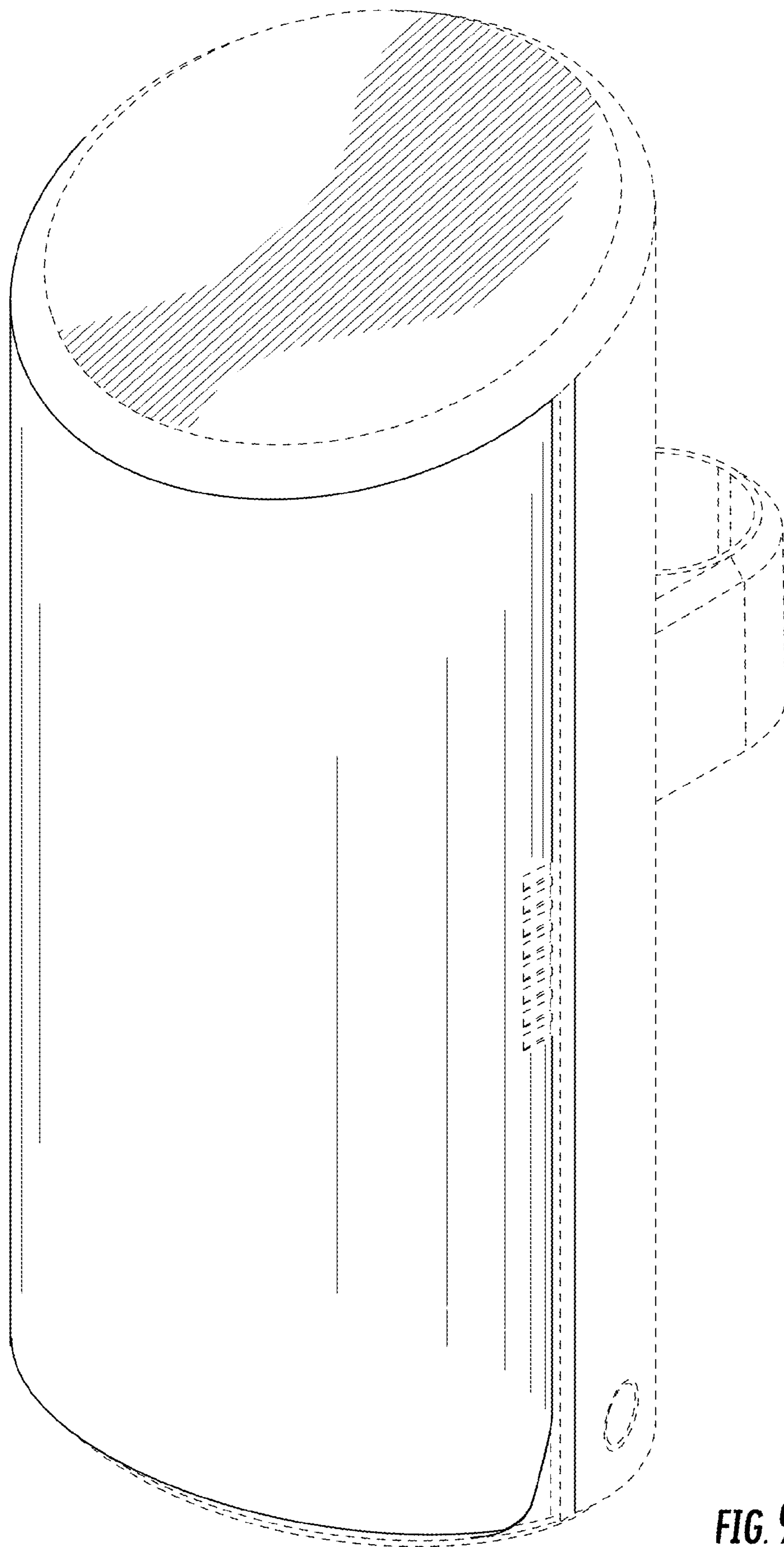


FIG. 9

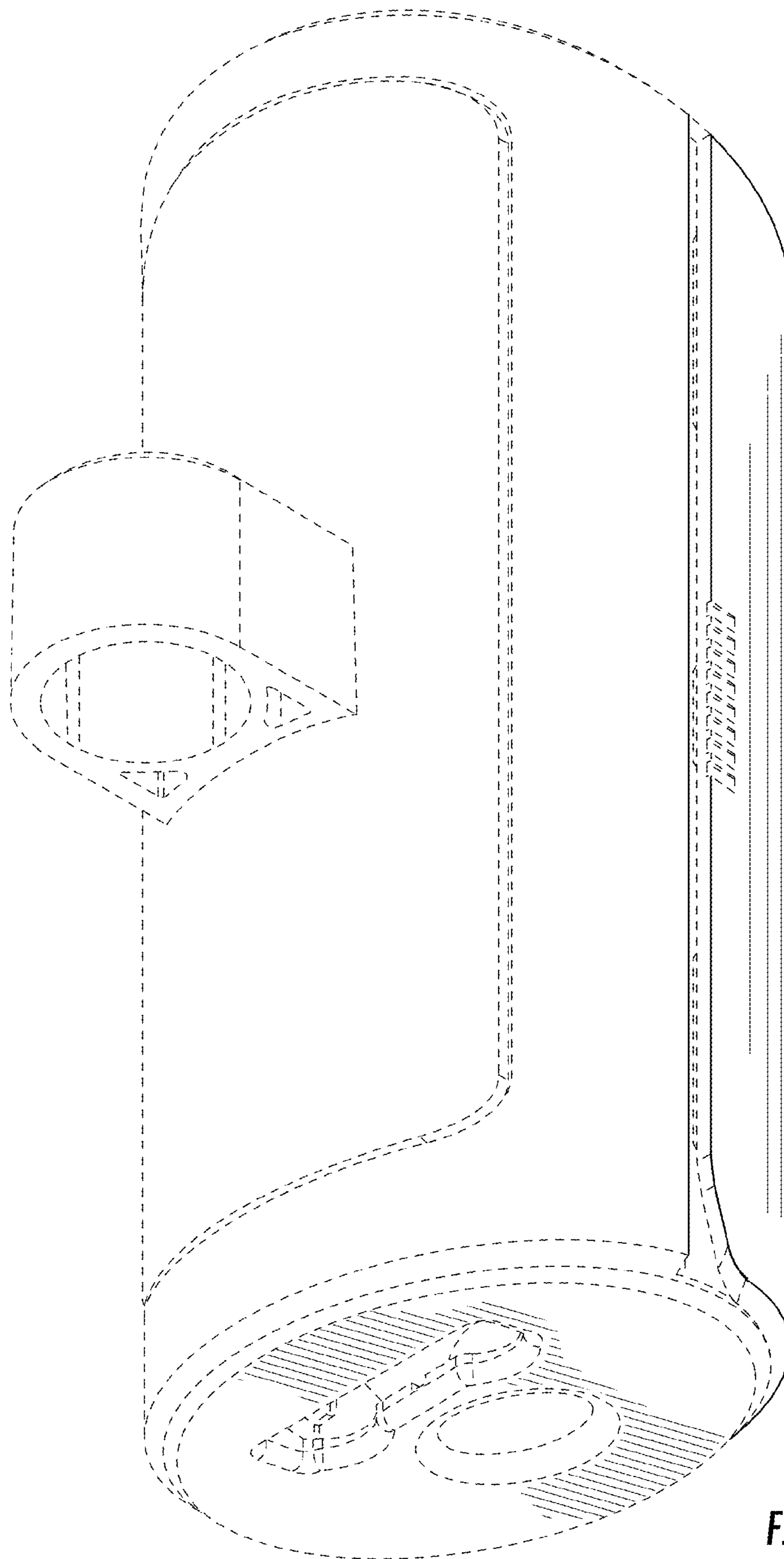


FIG. 10

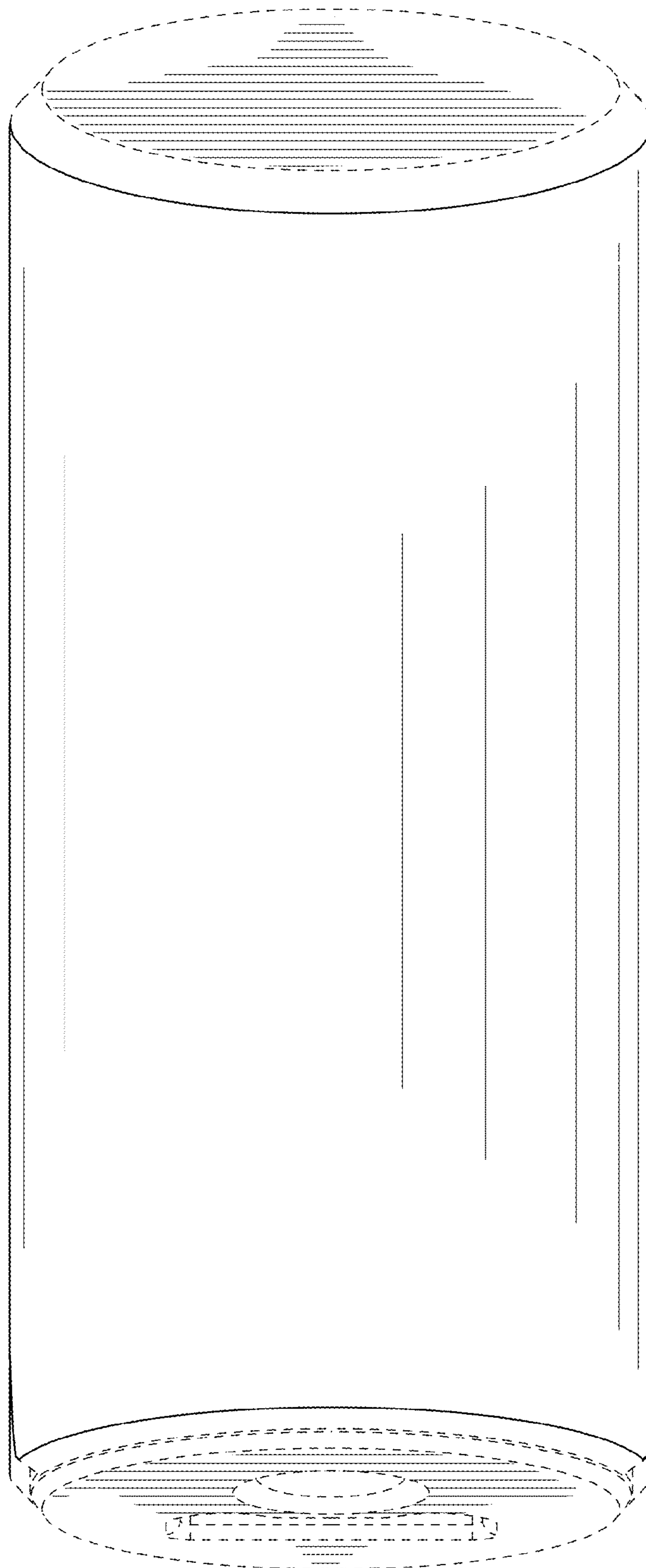


FIG. 11

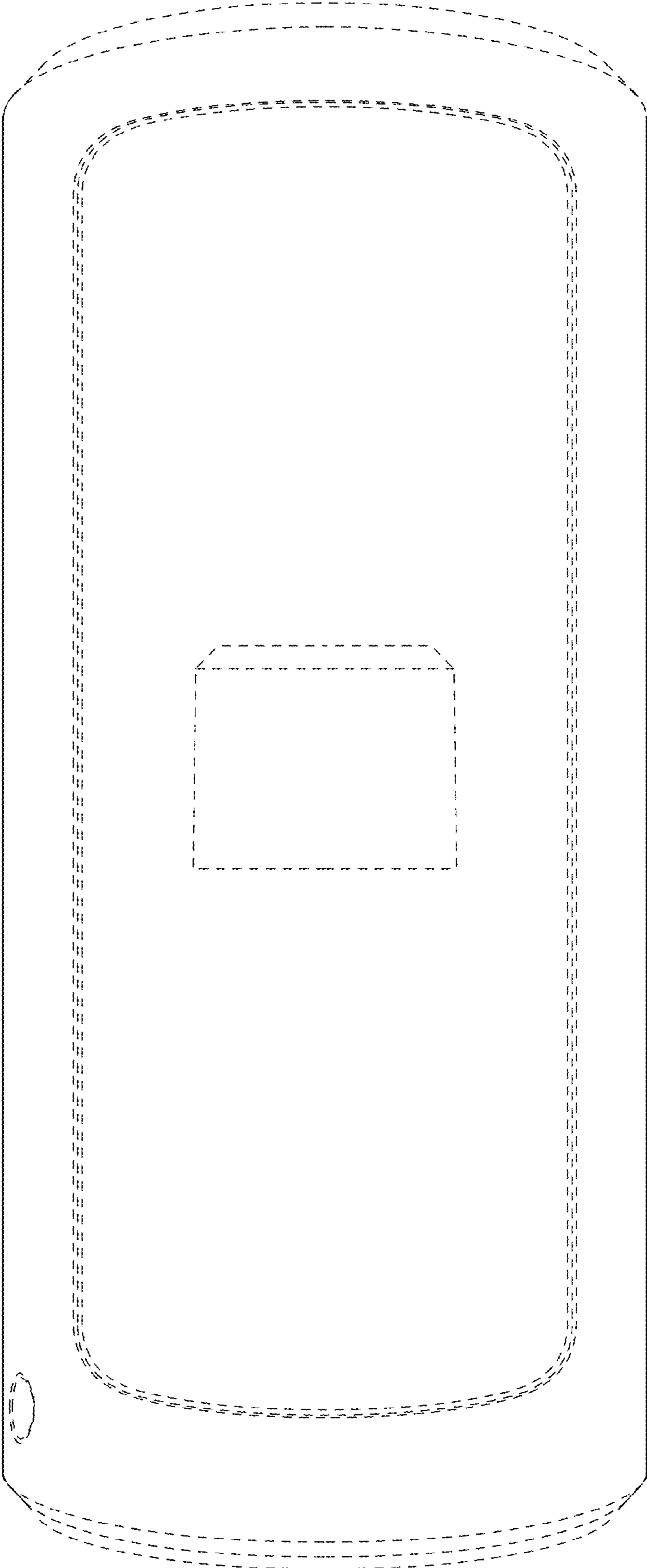


FIG. 12

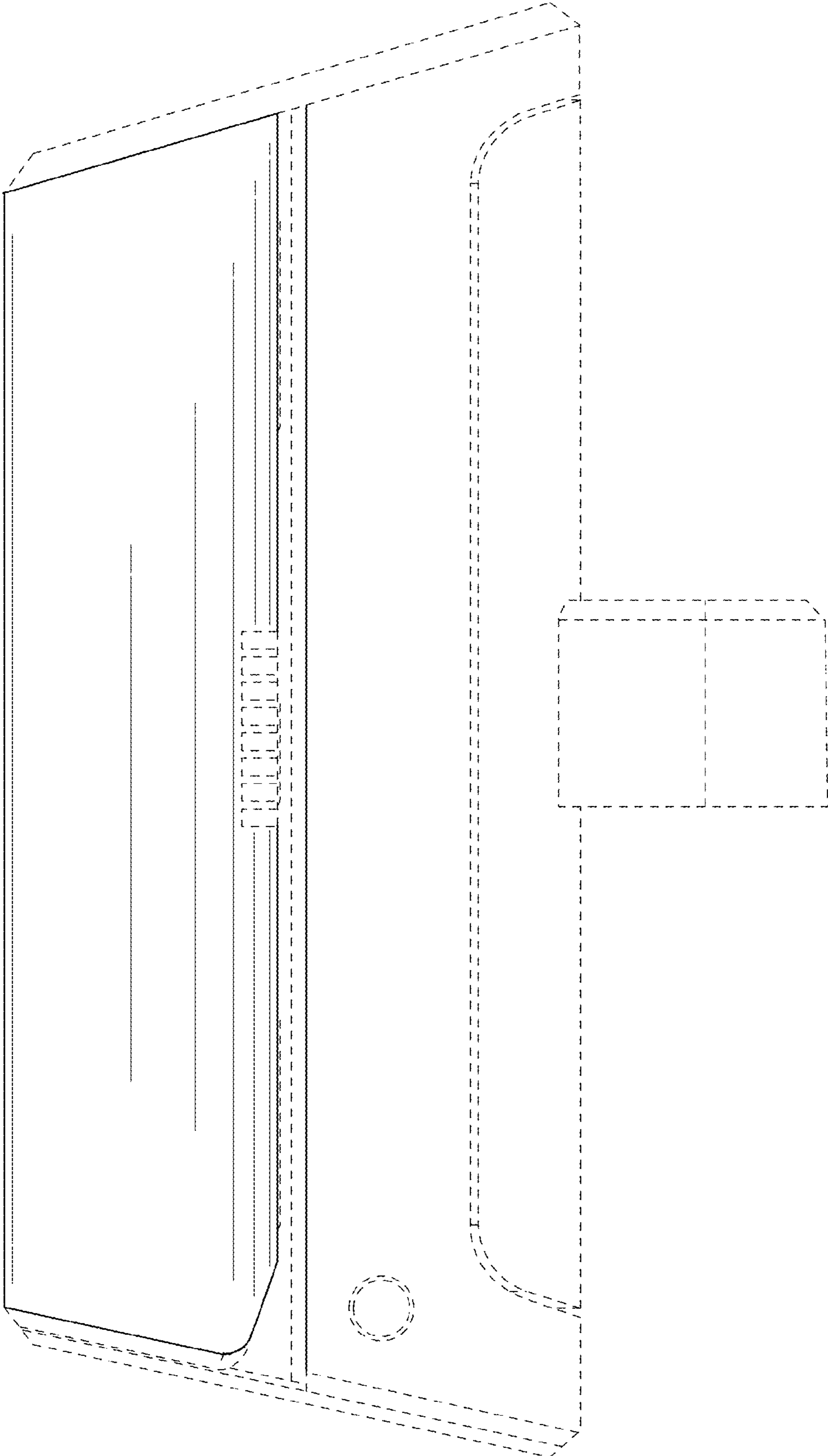


FIG. 13

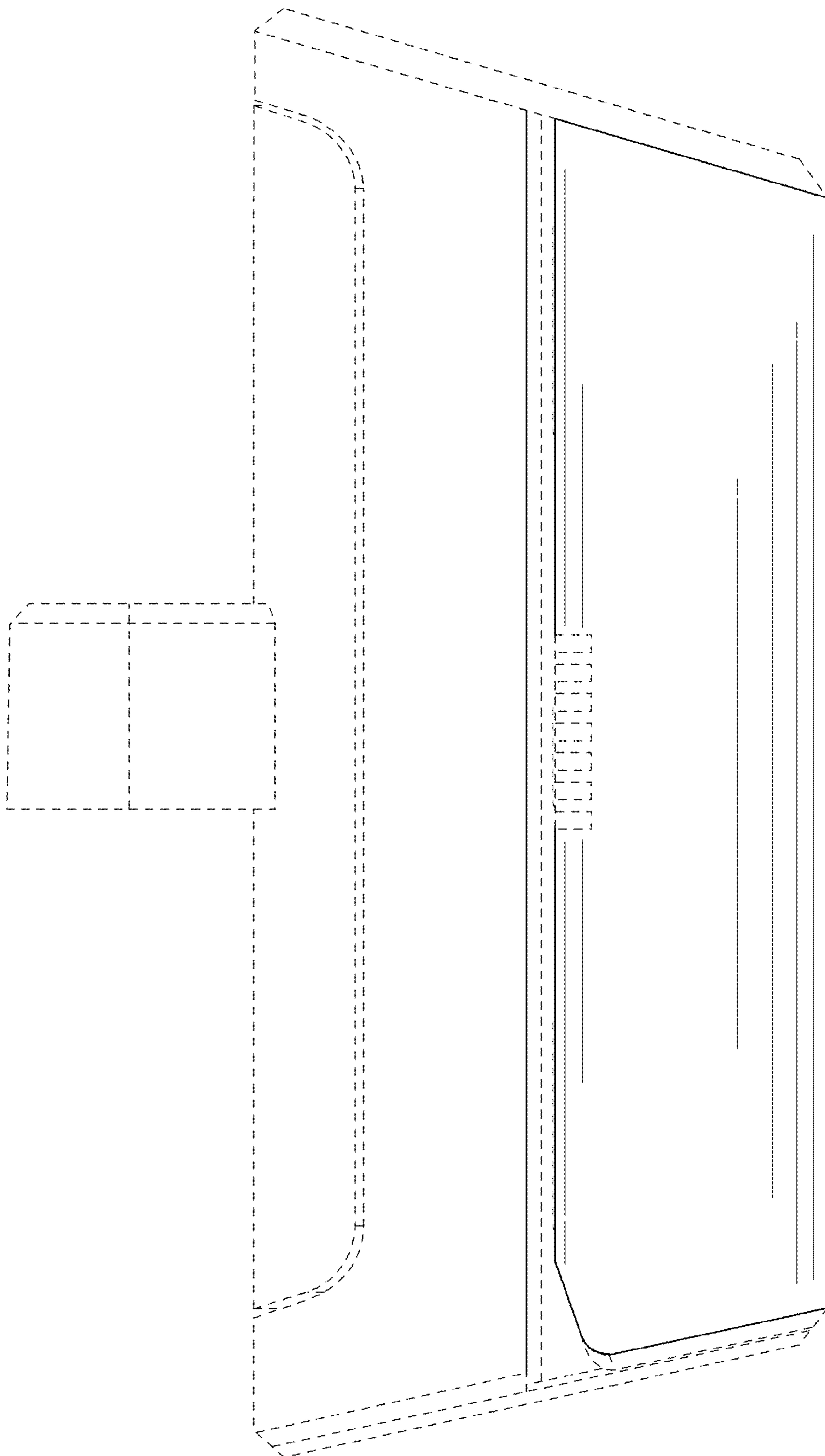


FIG. 14

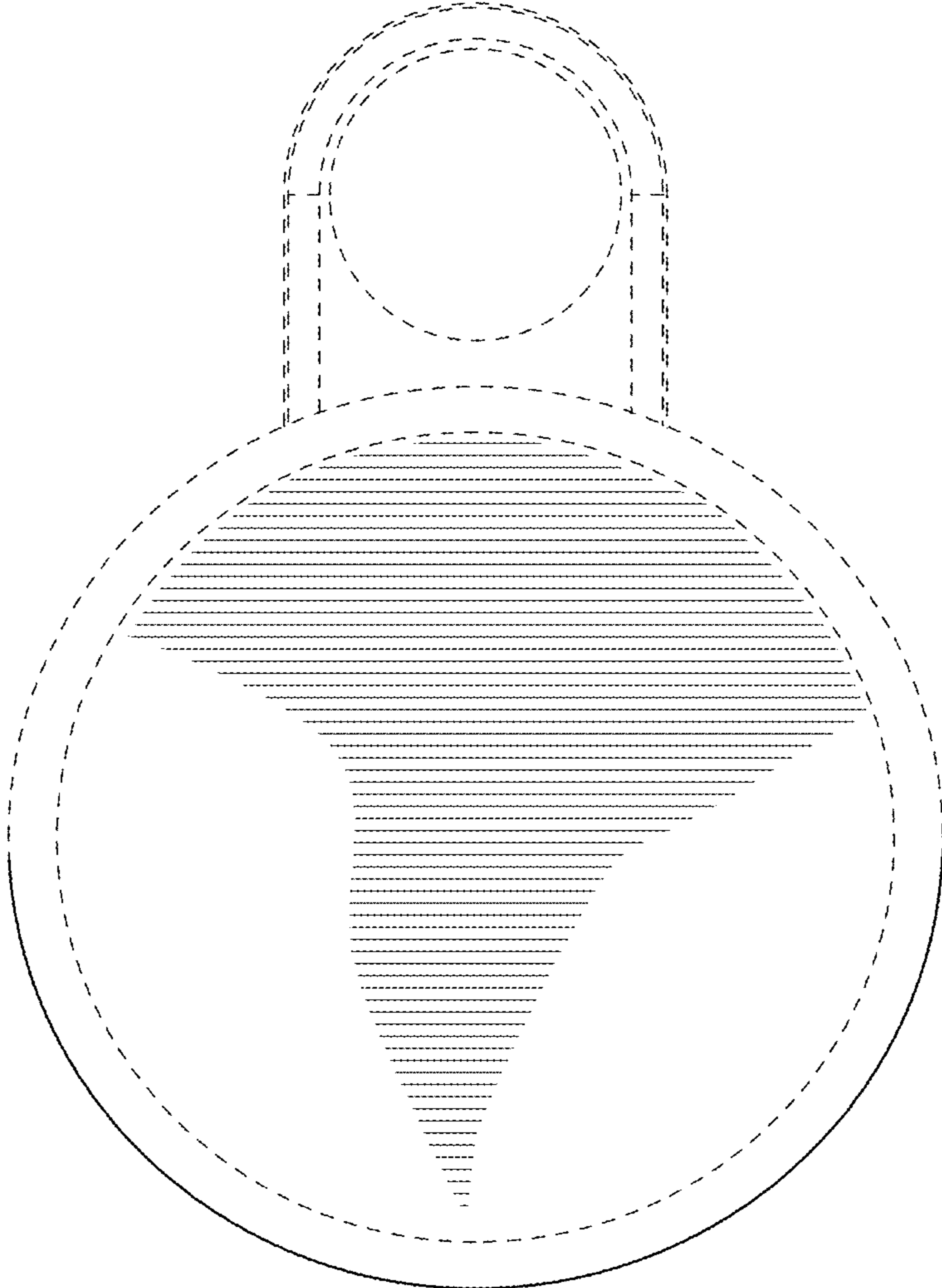


FIG. 15

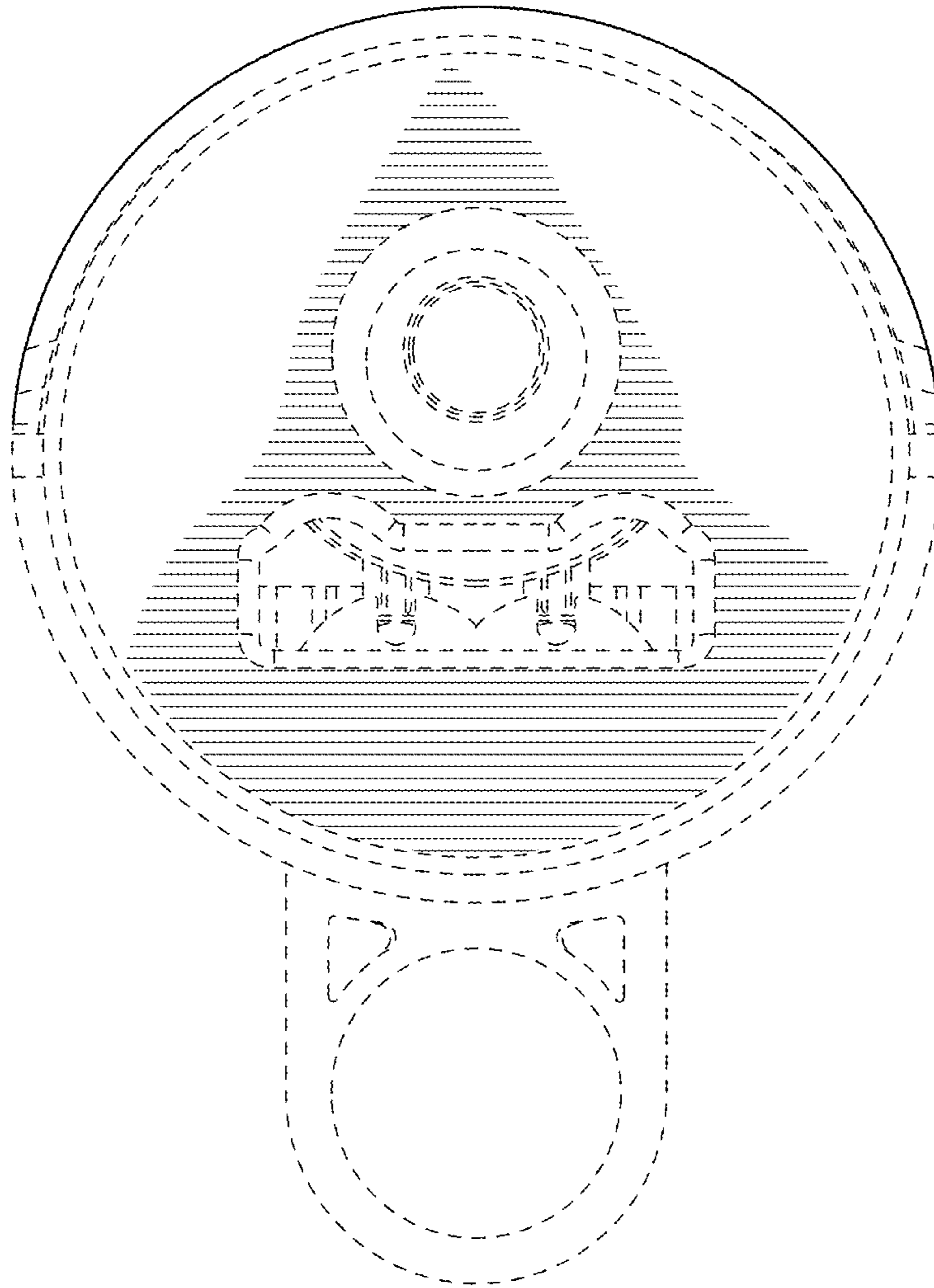


FIG. 16