

US00D869192S

(12) **United States Design Patent** (10) **Patent No.:** **US D869,192 S**
Liu (45) **Date of Patent:** **** Dec. 10, 2019**

(54) **TOOTHBRUSH STERILIZATION HOLDER**

(71) Applicant: **Shenzhen Purple Niu Zhiguang Technology Co., Ltd., Shenzhen (CN)**

(72) Inventor: **Xiaoping Liu, Hengyang (CN)**

(**) Term: **15 Years**

(21) Appl. No.: **29/629,005**

(22) Filed: **Dec. 11, 2017**

(51) **LOC (12) Cl.** **23-02**

(52) **U.S. Cl.**
USPC **D6/528**

(58) **Field of Classification Search**
USPC D6/528, 524, 526, 527, 534; D4/101;
D24/156, 216-218, 219-232; 206/349,
206/361, 362, 362.1, 362.2, 362.3;
211/69-70; 250/455.11; 433/77;
601/141; 312/206
CPC A61L 2/10; A46B 17/06; A46B 17/065;
A47B 81/00
See application file for complete search history.

(56) **References Cited**

U.S. PATENT DOCUMENTS

D378,419 S * 3/1997 Eccker D24/111
D389,686 S * 1/1998 Drage D10/2
D424,855 S * 5/2000 Murphy D6/528
D542,929 S * 5/2007 Shin D24/217

D833,770 S * 11/2018 Thompson D6/534
2009/0010826 A1* 1/2009 Shin A61L 2/10
422/300
2009/0322190 A1* 12/2009 Kitagawa A46B 17/06
312/206

OTHER PUBLICATIONS

Puretta, The Ultimate Multifunctional Toothbrush Sterilizer, Oct. 25, 2017, URL:https://www.kickstarter.com/projects/puretta/puretta-the-ultimate-multifunctional-toothbrush-st, 11 pages, retrieved on Apr. 15, 2019 (Year: 2017).*

* cited by examiner

Primary Examiner — Wan Laymon
Assistant Examiner — Mark Booker

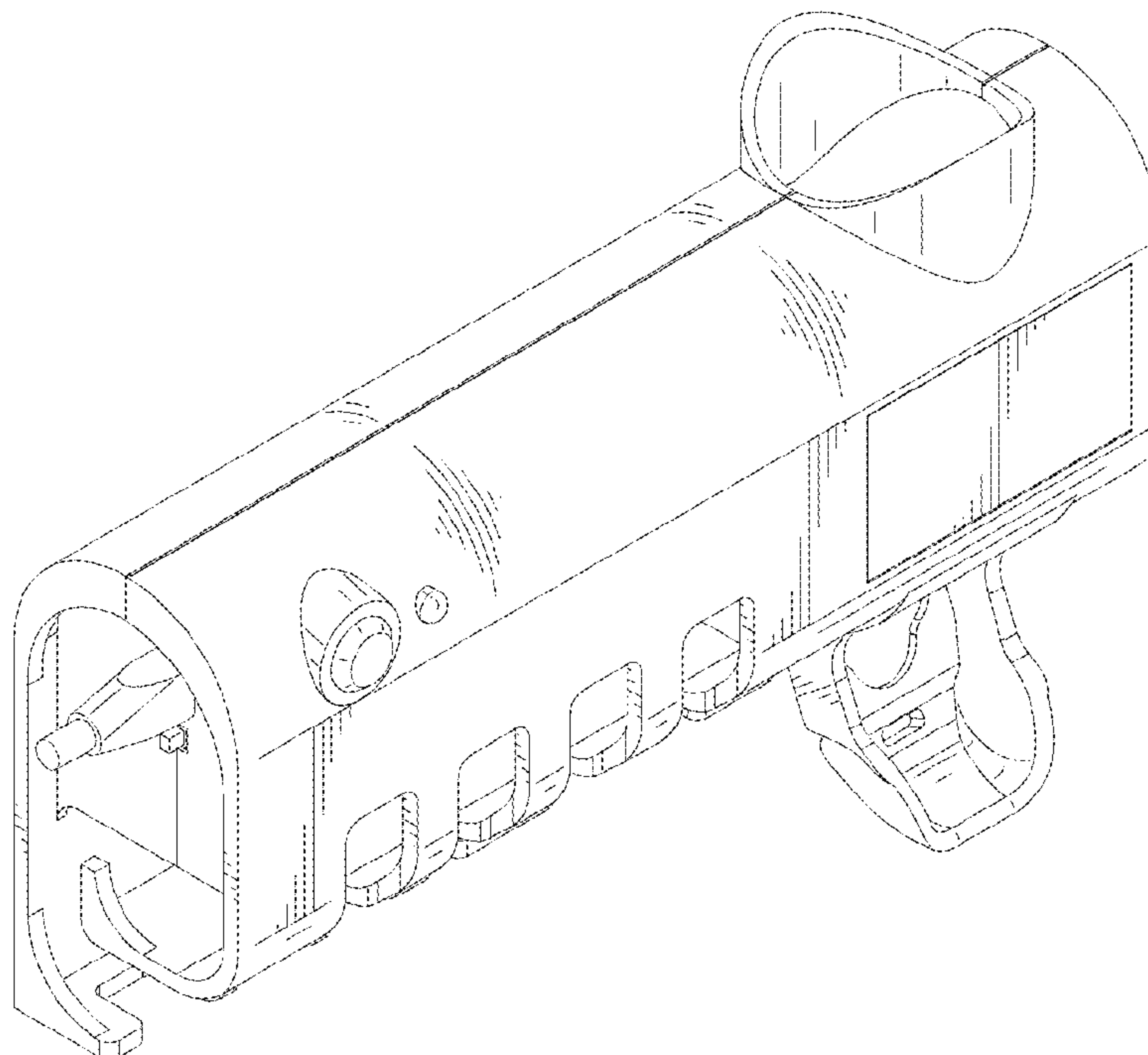
(57) **CLAIM**

The ornamental design for a toothbrush sterilization holder, as shown and described.

DESCRIPTION

FIG. 1 is a perspective view of a toothbrush sterilization holder, showing my new design;
FIG. 2 is a bottom perspective view thereof;
FIG. 3 is a rear perspective view thereof;
FIG. 4 is a front view thereof;
FIG. 5 is a rear view thereof;
FIG. 6 is a left side view thereof;
FIG. 7 is a right side view thereof;
FIG. 8 is a top view thereof; and,
FIG. 9 is a bottom view thereof.
The broken lines in the drawings represent unclaimed environmental subject matter that forms no part of the claimed design.

1 Claim, 9 Drawing Sheets



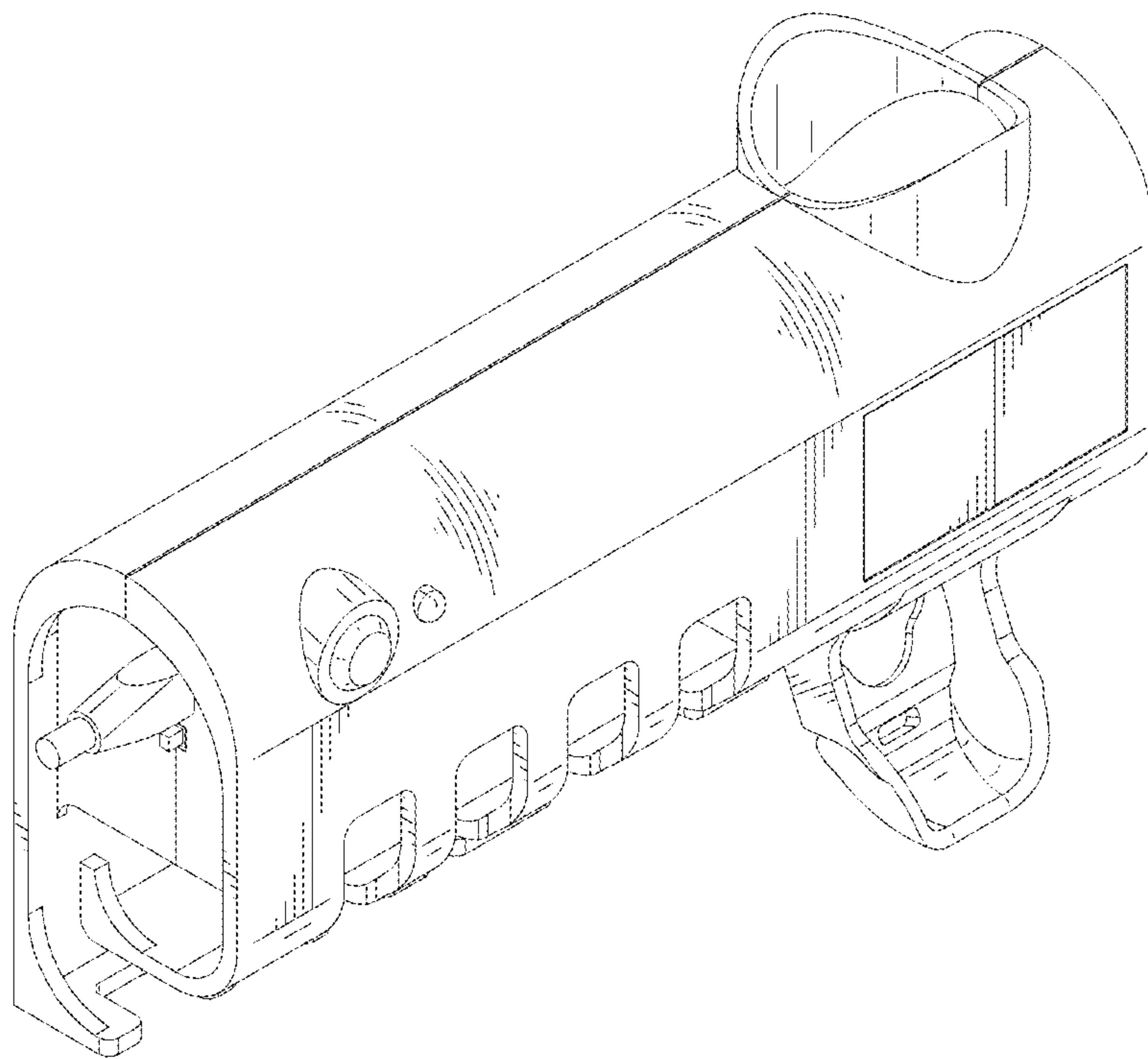


FIG. 1

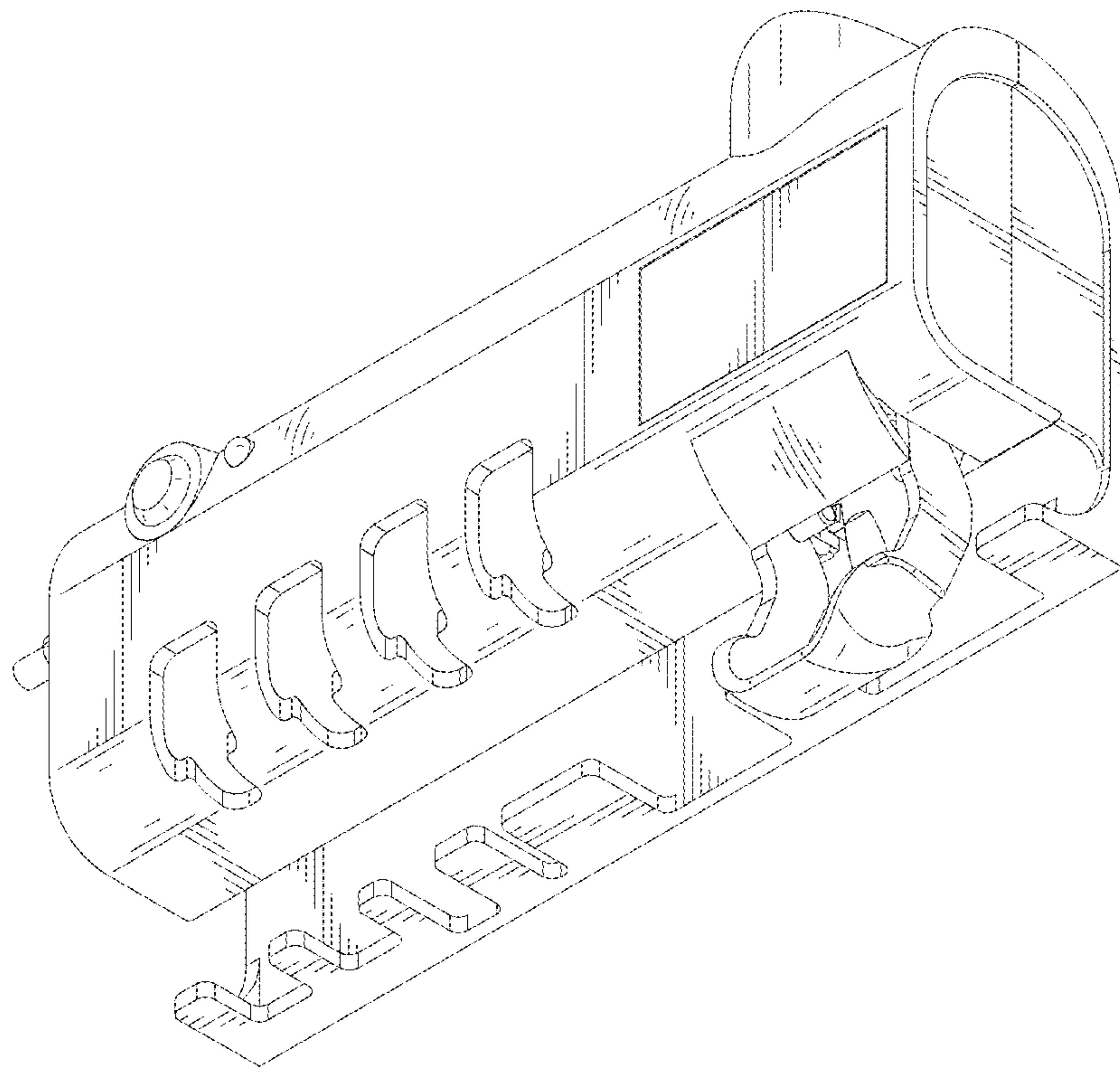


FIG. 2

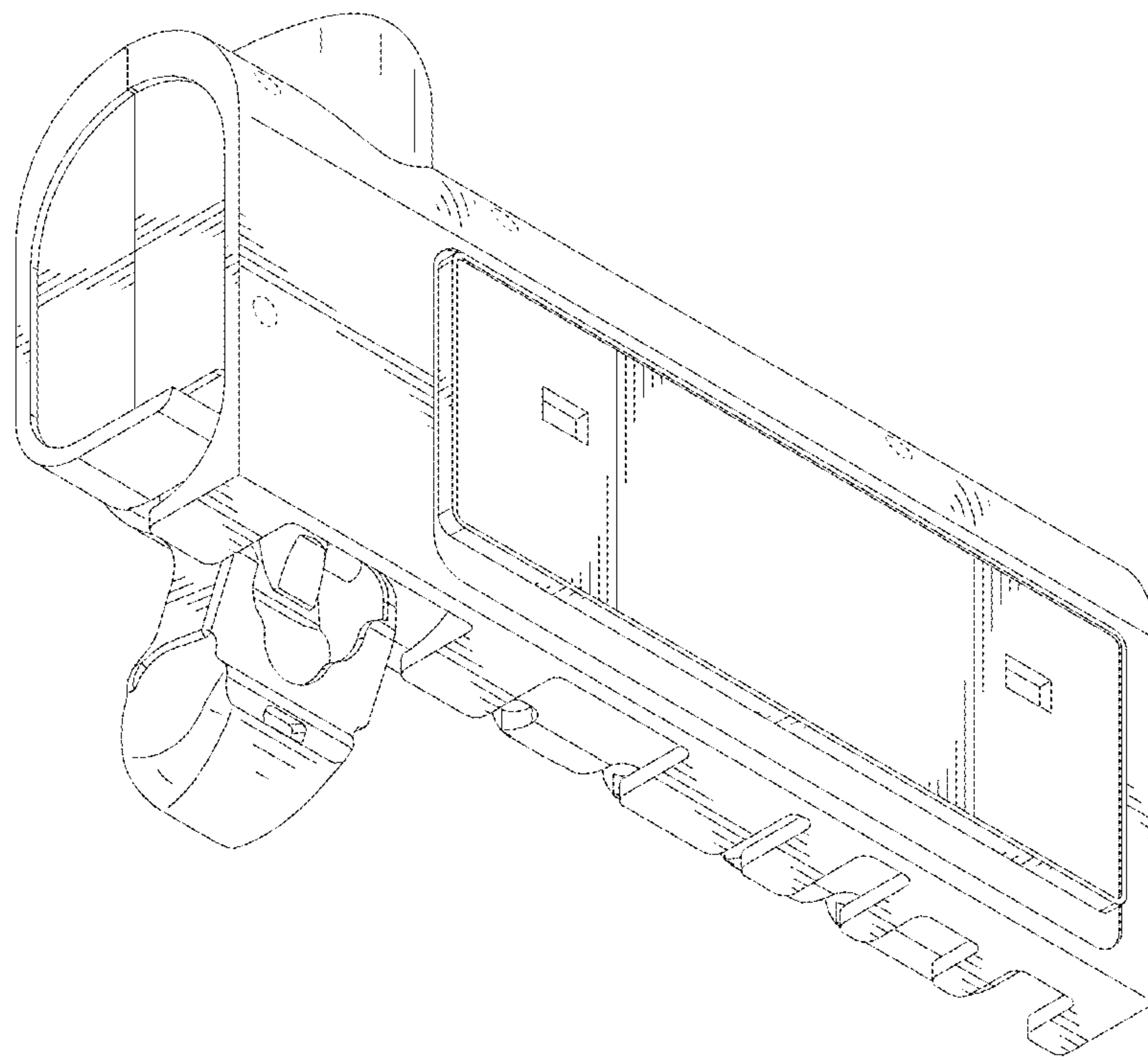


FIG. 3

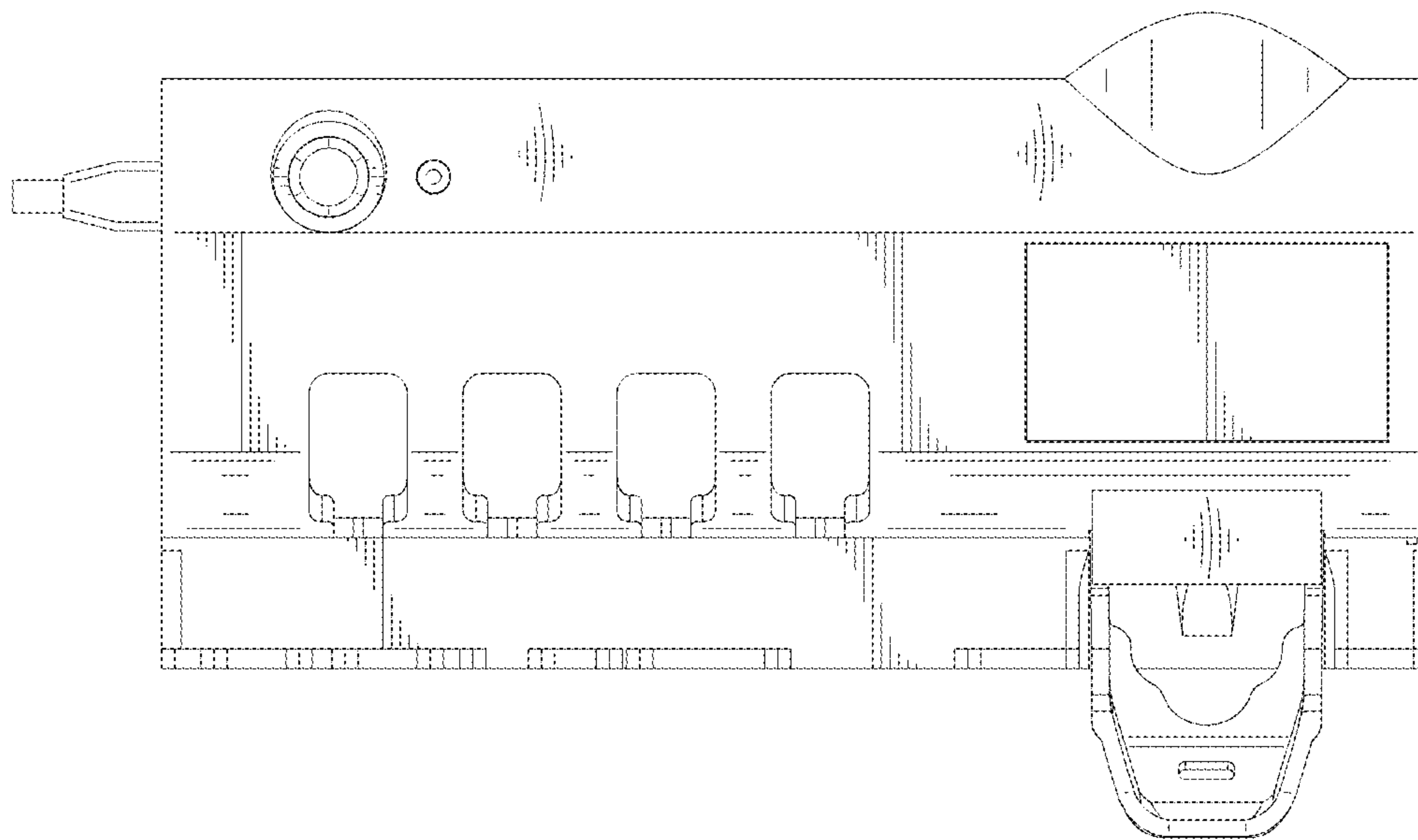


FIG. 4

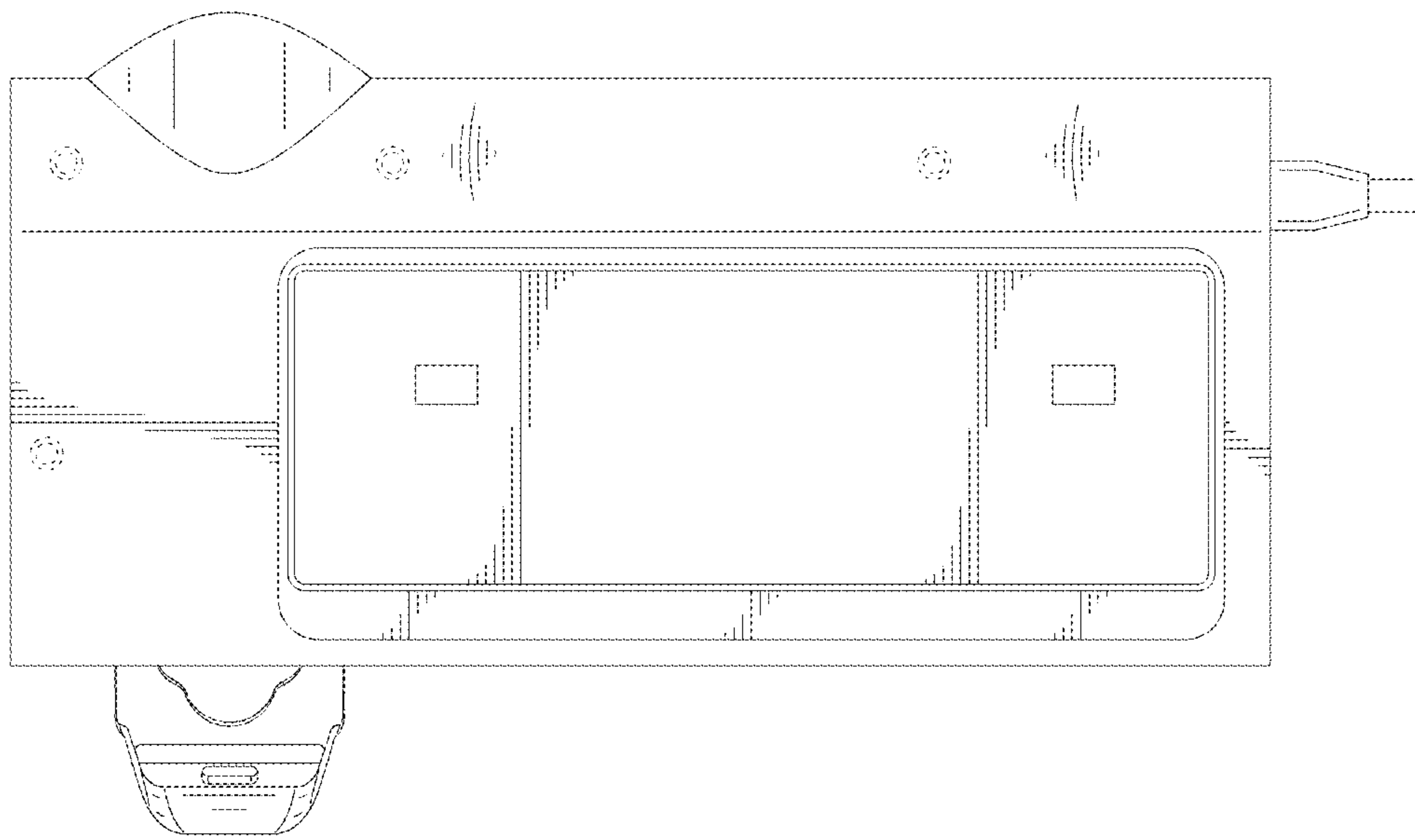


FIG. 5

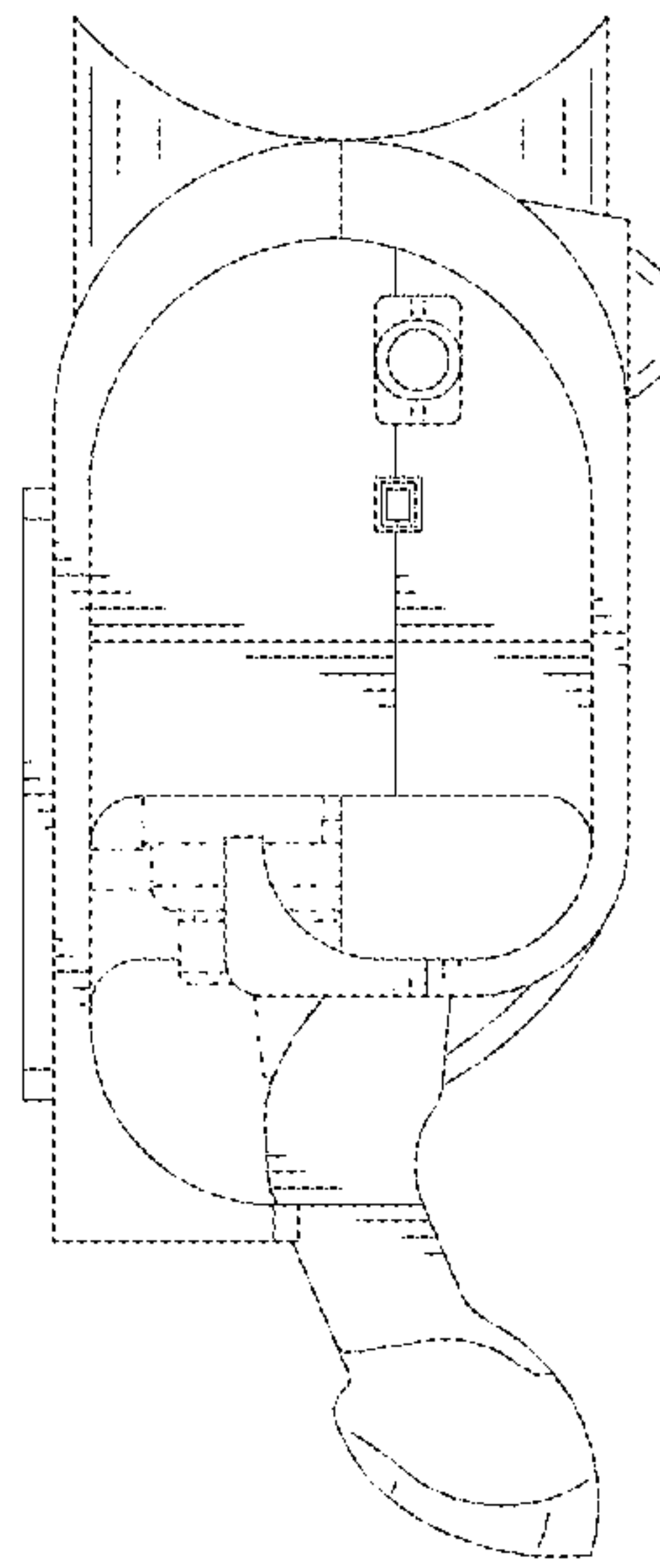


FIG. 6

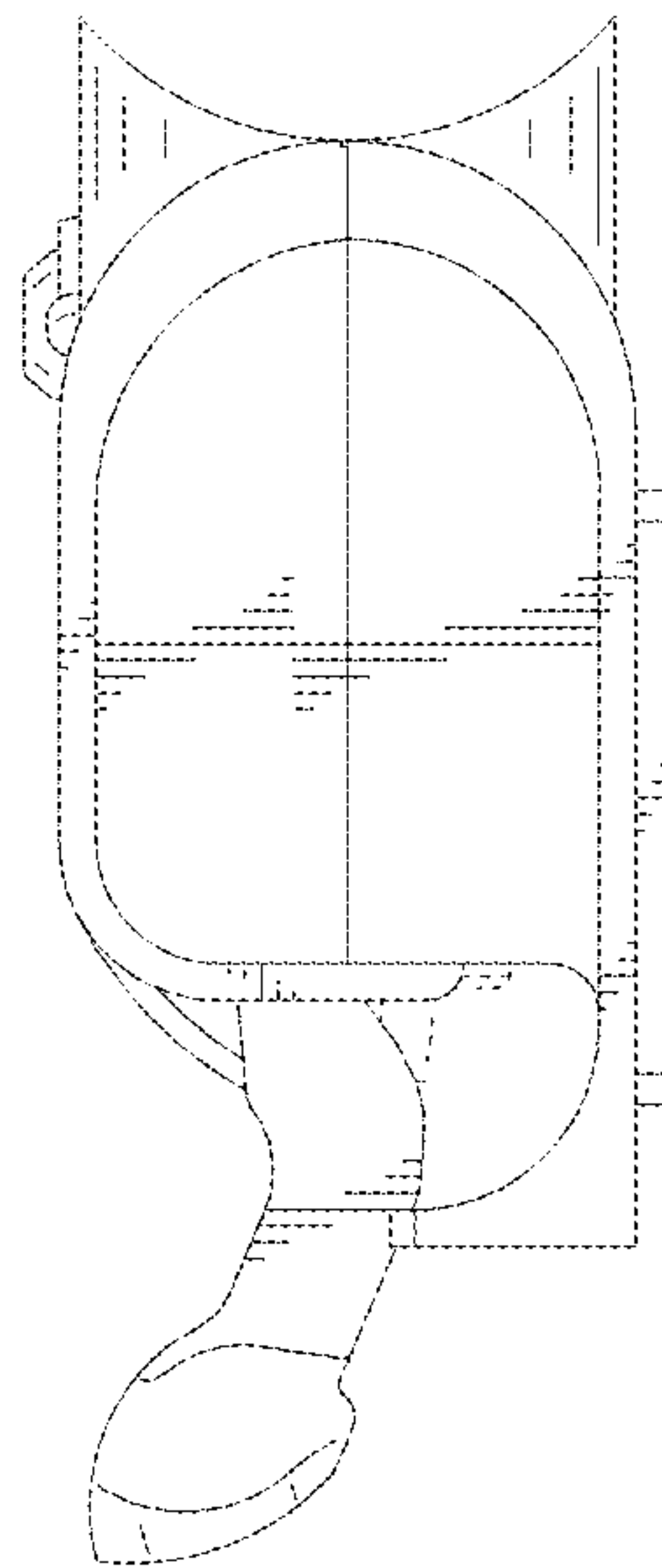


FIG. 7

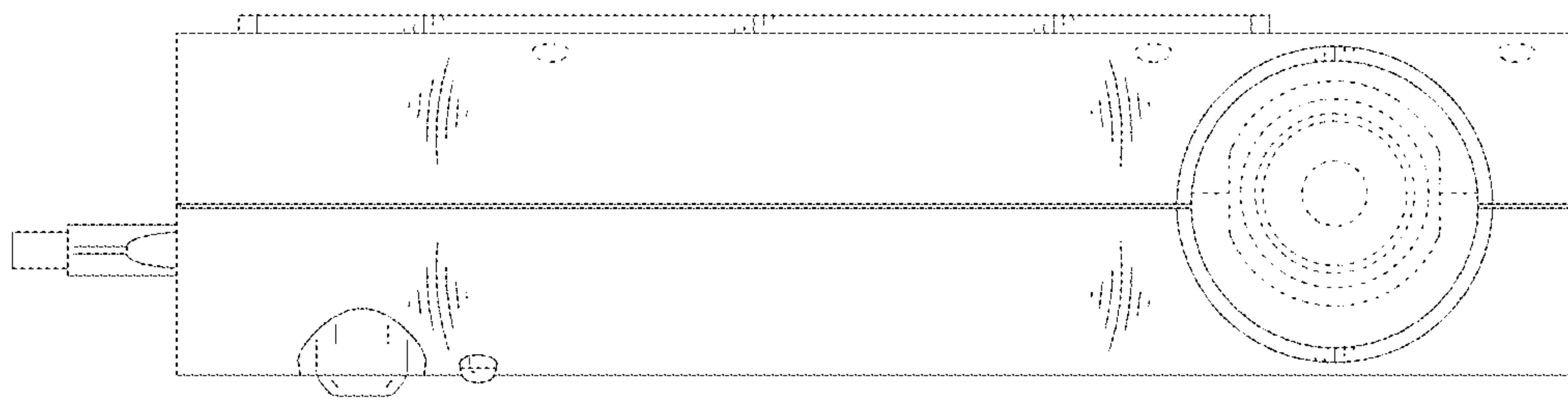


FIG. 8

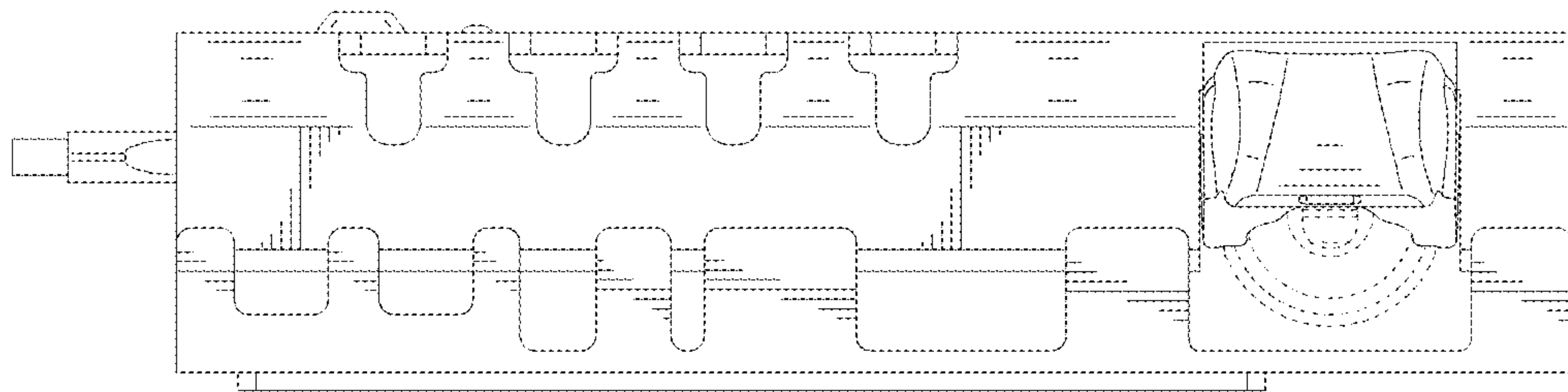


FIG. 9